



US00D837313S

(12) **United States Design Patent** (10) **Patent No.:** **US D837,313 S**  
**Lyons** (45) **Date of Patent:** **\*\* Jan. 1, 2019**

(54) **YOGA BLOCK AND STRAP COMBINATION APPARATUS**

(71) Applicant: **Scott Lyons**, Brooklyn, NY (US)

(72) Inventor: **Scott Lyons**, Brooklyn, NY (US)

(73) Assignee: **Scott Lyons**, Brooklyn, NY (US)

(\*\*) Term: **15 Years**

(21) Appl. No.: **29/596,464**

(22) Filed: **Mar. 8, 2017**

(51) **LOC (11) Cl.** ..... **21-02**

(52) **U.S. Cl.**  
USPC ..... **D21/686**

(58) **Field of Classification Search**

USPC ..... D6/601, 691.4, 375, 334, 361, 349, 596,  
D6/604, 597, 691.3, 691.8, 374;  
D21/686, 687, 662, 797, 688, 484, 671,  
D21/690; D24/190, 191, 192, 183, 186;  
432/140; 482/141, 142, 121, 140, 23, 15,  
482/127, 139, 35, 130, 148, 106;  
D12/410; D30/160; D25/118, 113, 114;  
52/596, 677, 431, 603, 604, 605, 632,  
52/630  
CPC ..... A63B 21/0552; A63B 21/4035; A63B  
23/0211; A63B 21/4047; A63B 2210/50;  
A63B 2208/0204; A63B 21/0557; Y10S  
482/907

See application file for complete search history.

(56) **References Cited**

**U.S. PATENT DOCUMENTS**

D569,161 S \* 5/2008 Gaddy ..... D6/597  
D594,512 S \* 6/2009 Richards ..... D21/484  
D691,222 S \* 10/2013 Sterios ..... D21/686  
D695,857 S \* 12/2013 Sterios ..... D21/686  
D703,772 S \* 4/2014 Sterios ..... D21/688

(Continued)

**OTHER PUBLICATIONS**

Lotus Grip by Walmart dated date not given. Found online [Apr. 6, 2018] [https://www.walmart.com/ip/Lotus-Grip-Yoga-Block/27396049?action=product\\_interest&action\\_type=title&beacon\\_version=1.0.2&bucket\\_id=irsbucketdefault&client\\_guid=41d01aad-f0ea-4567-311c-3e666d0c5f55&config\\_id=106&custom.\\*](https://www.walmart.com/ip/Lotus-Grip-Yoga-Block/27396049?action=product_interest&action_type=title&beacon_version=1.0.2&bucket_id=irsbucketdefault&client_guid=41d01aad-f0ea-4567-311c-3e666d0c5f55&config_id=106&custom.*)

(Continued)

*Primary Examiner* — Ryan Harvey

(74) *Attorney, Agent, or Firm* — Merchant & Gould P.C.

(57) **CLAIM**

The ornamental design for a yoga block and strap combination apparatus, as shown and described.

**DESCRIPTION**

FIG. 1 is a front, top, right side perspective view of a yoga block and strap combination apparatus in accordance with the new design;

FIG. 2 is a front view thereof;

FIG. 3 is a rear view thereof;

FIG. 4 is a right side view thereof;

FIG. 5 is a left side view thereof;

FIG. 6 is a top view thereof;

FIG. 7 is a bottom view thereof;

FIG. 8 is a front, top, right side perspective view of another embodiment of a yoga block and strap combination apparatus in accordance with the new design;

FIG. 9 is a front view thereof;

FIG. 10 is a rear view thereof;

FIG. 11 is a right side view thereof;

FIG. 12 is a left side view thereof;

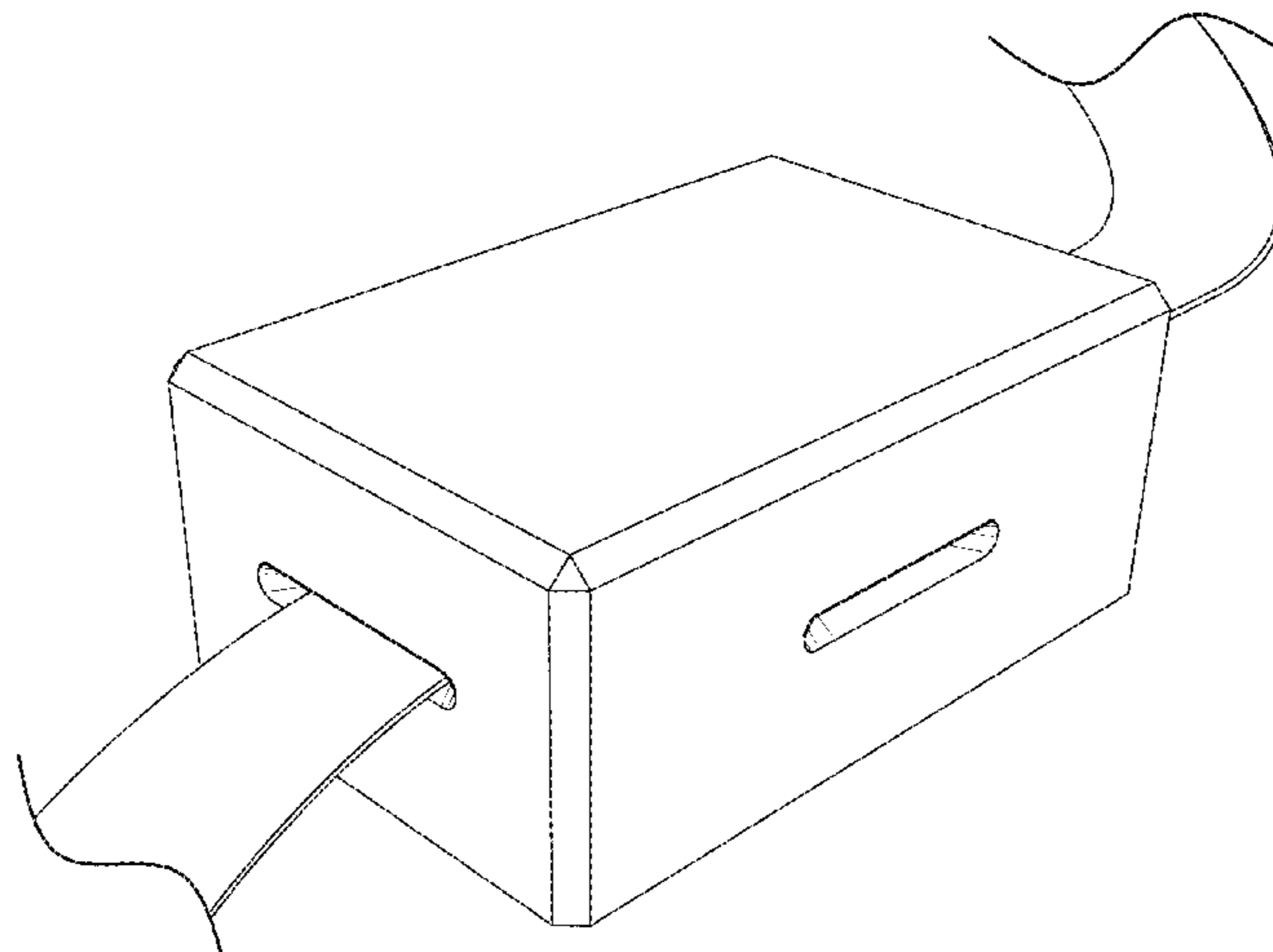
FIG. 13 is a top view thereof; and,

FIG. 14 is a bottom view thereof.

The portions shown in broken lines form no part of the claimed design.

The claimed design is shown with a symbolic break in its length. The appearance of any portion of the article outside of the symbolic break forms no part of the claimed design.

**1 Claim, 14 Drawing Sheets**





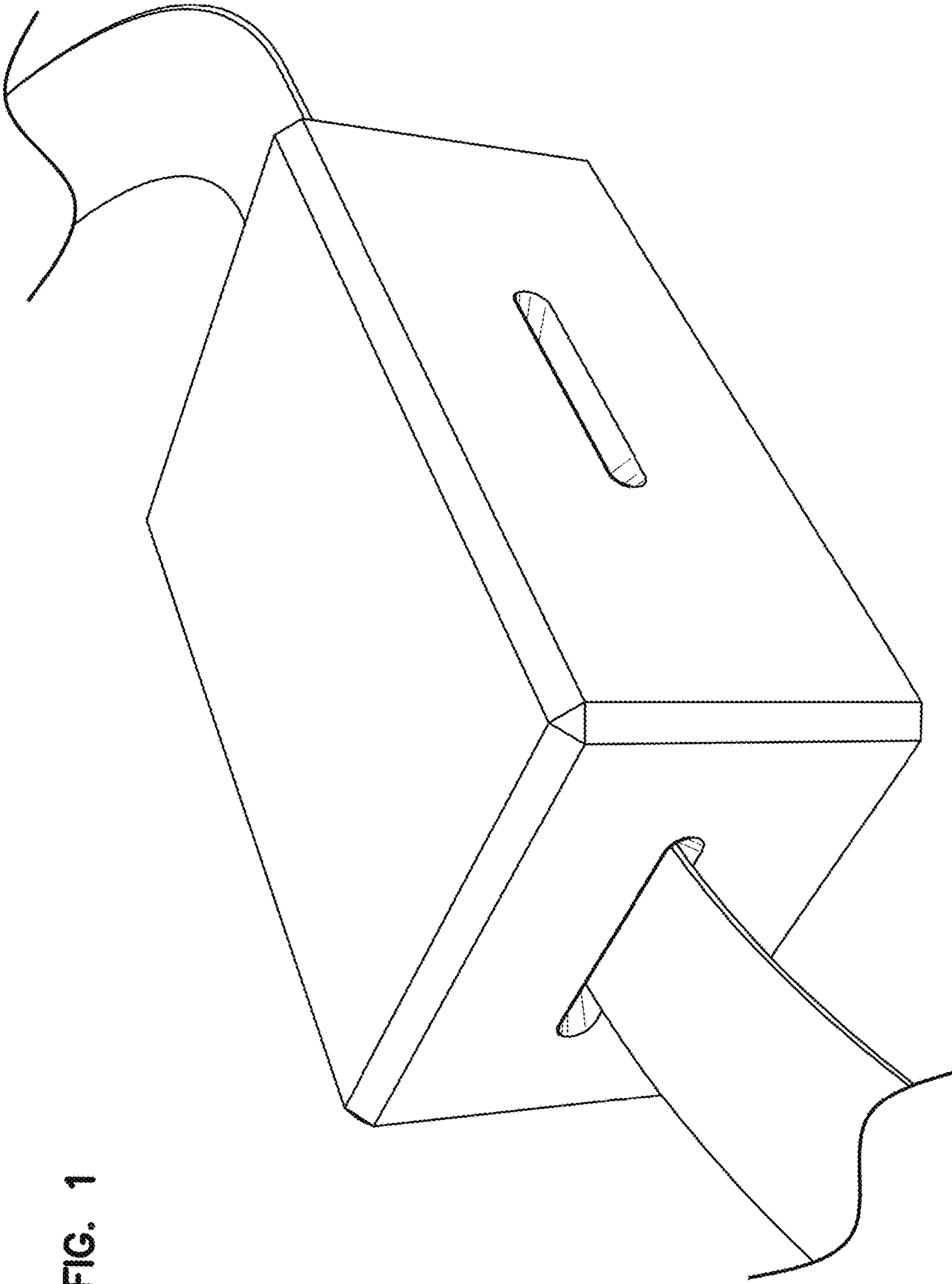


FIG. 1

FIG. 2

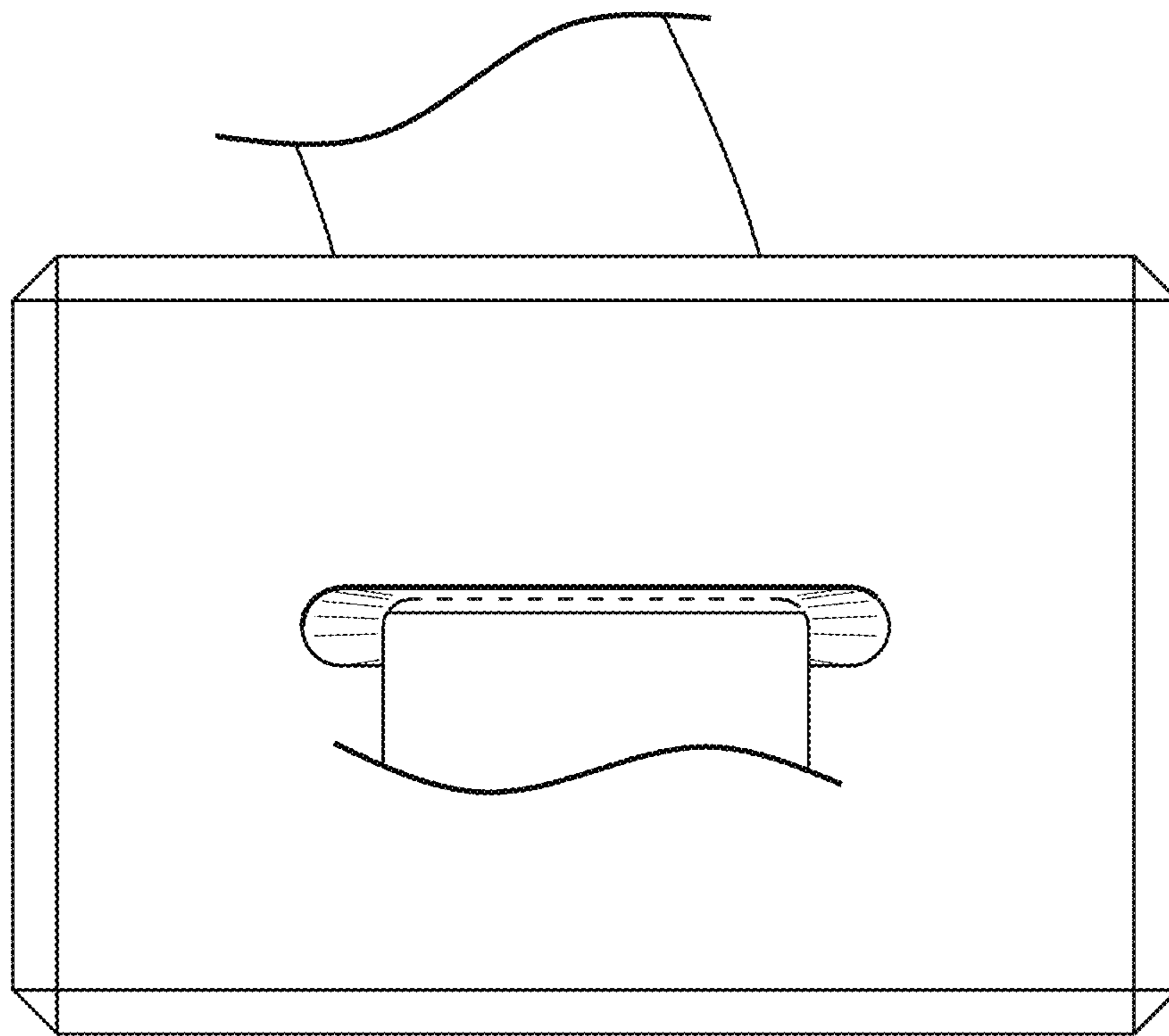
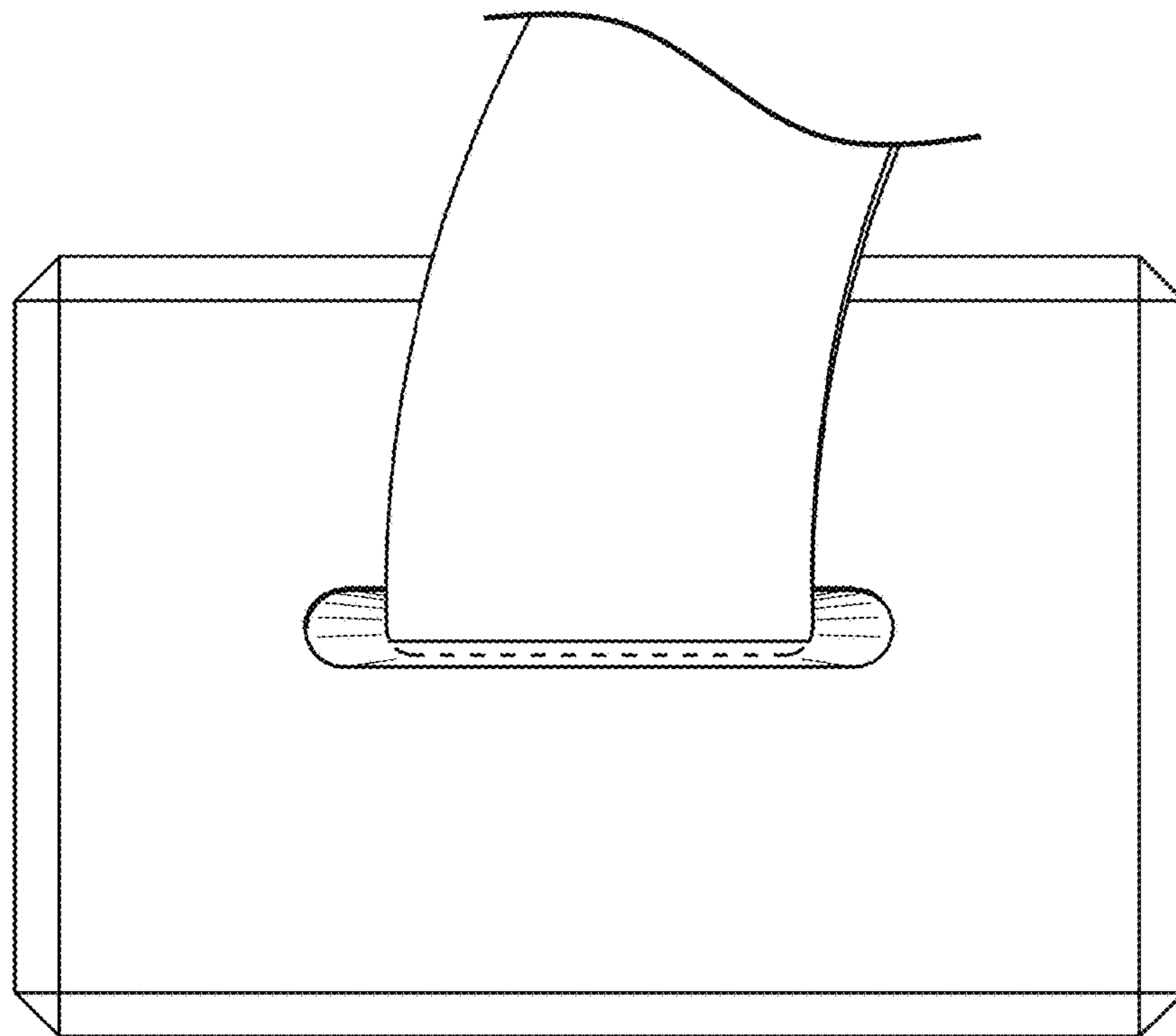


FIG. 3



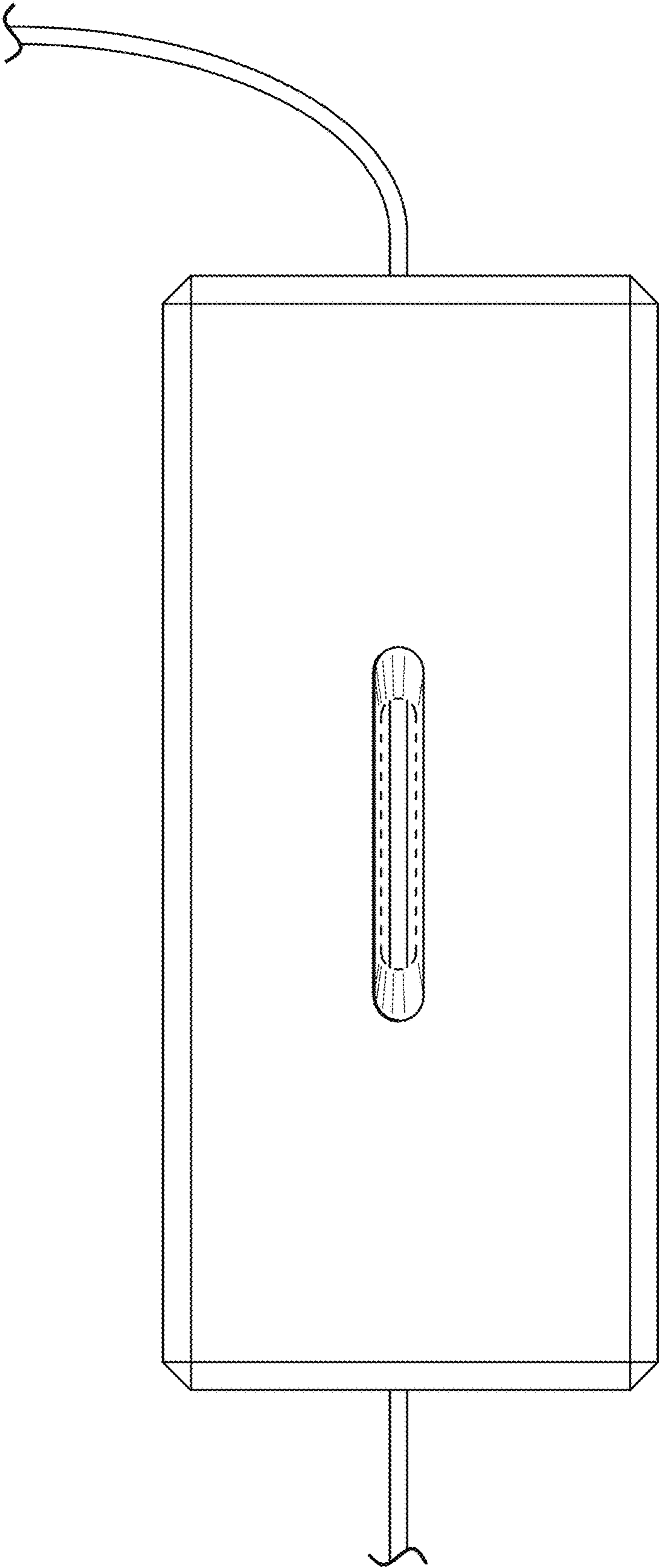


FIG. 4



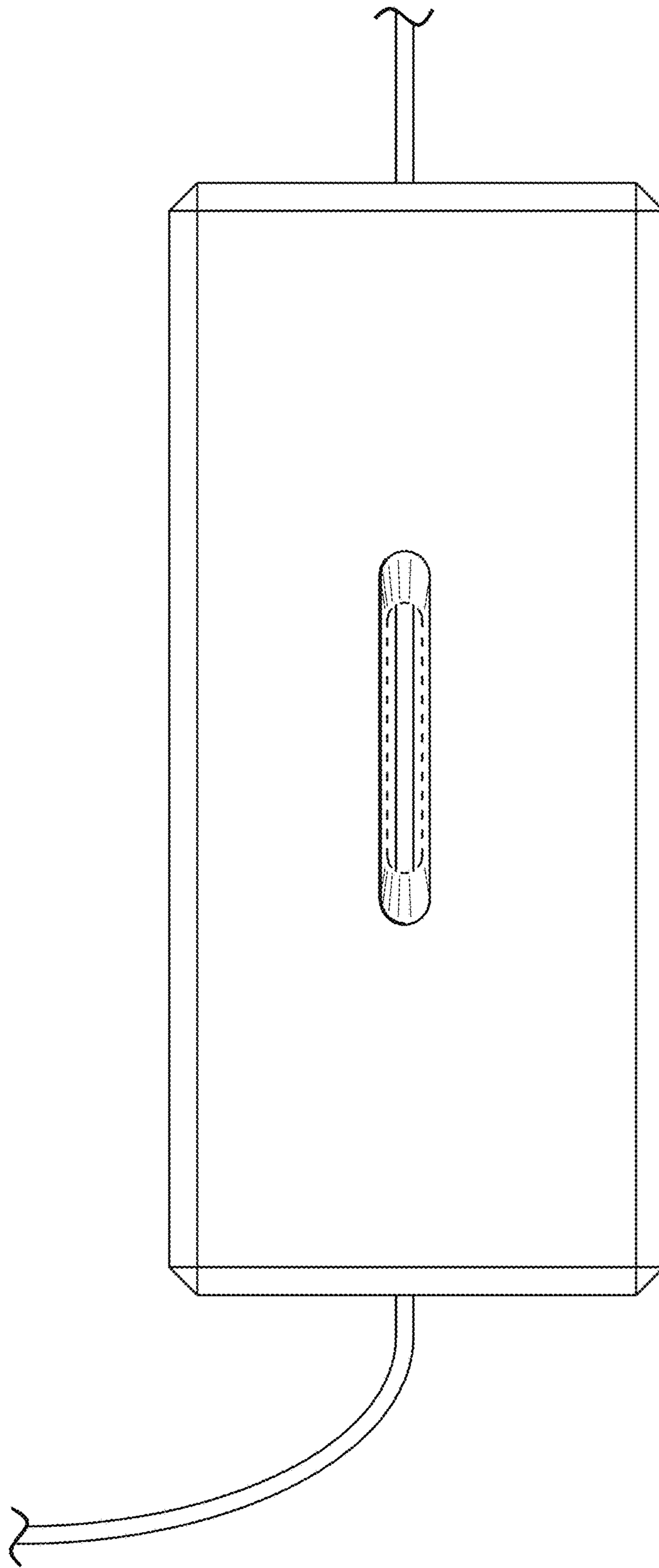


FIG. 5

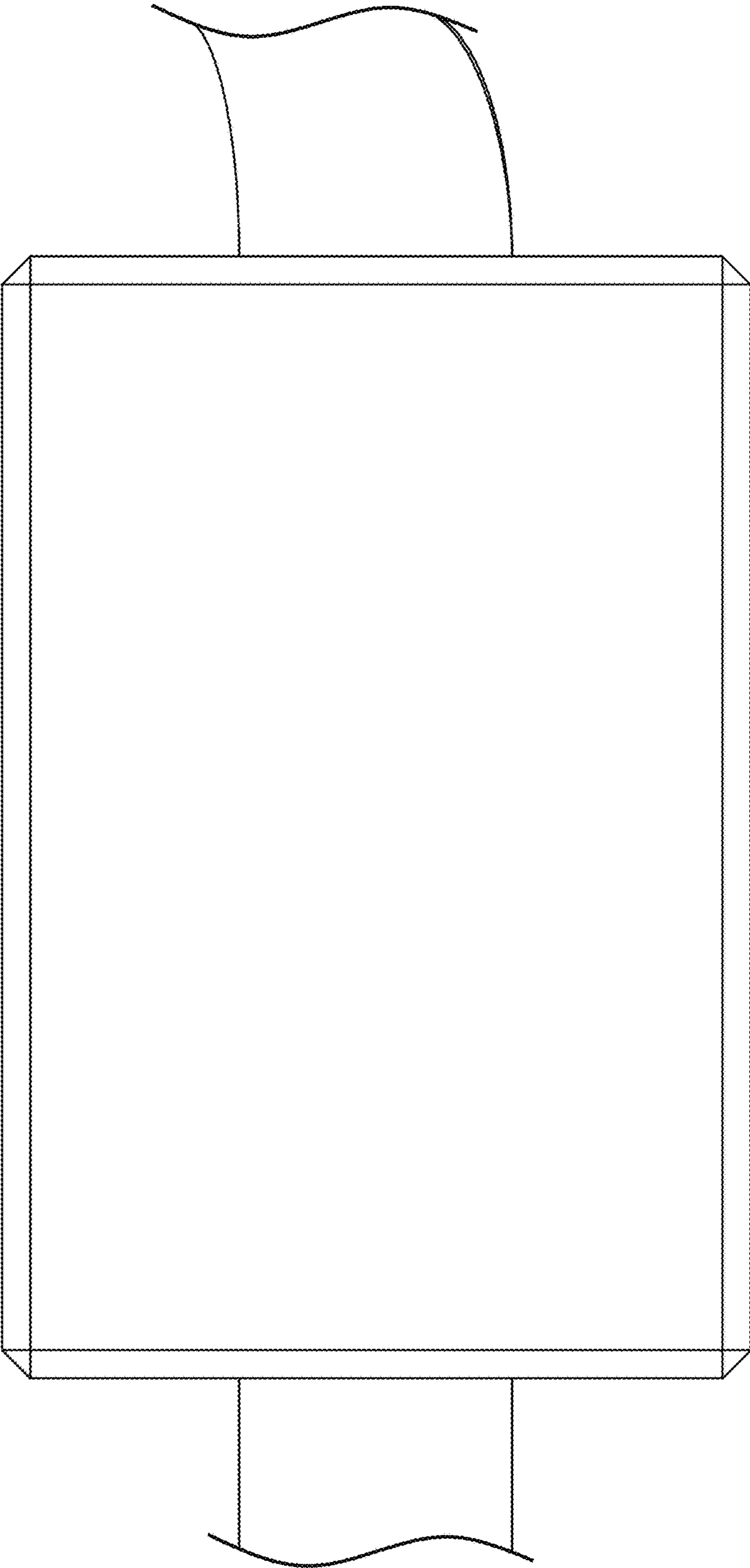


FIG. 6



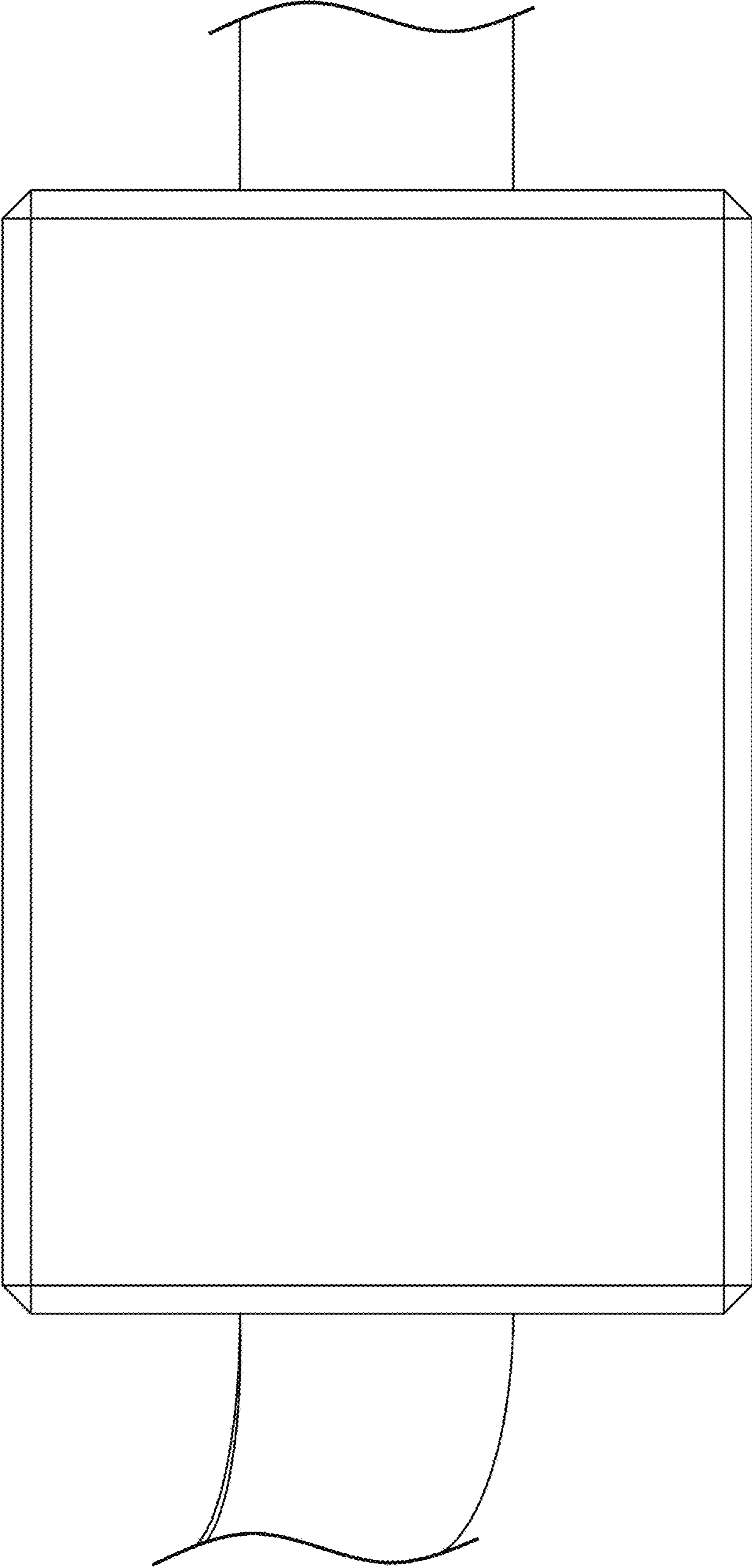


FIG. 7

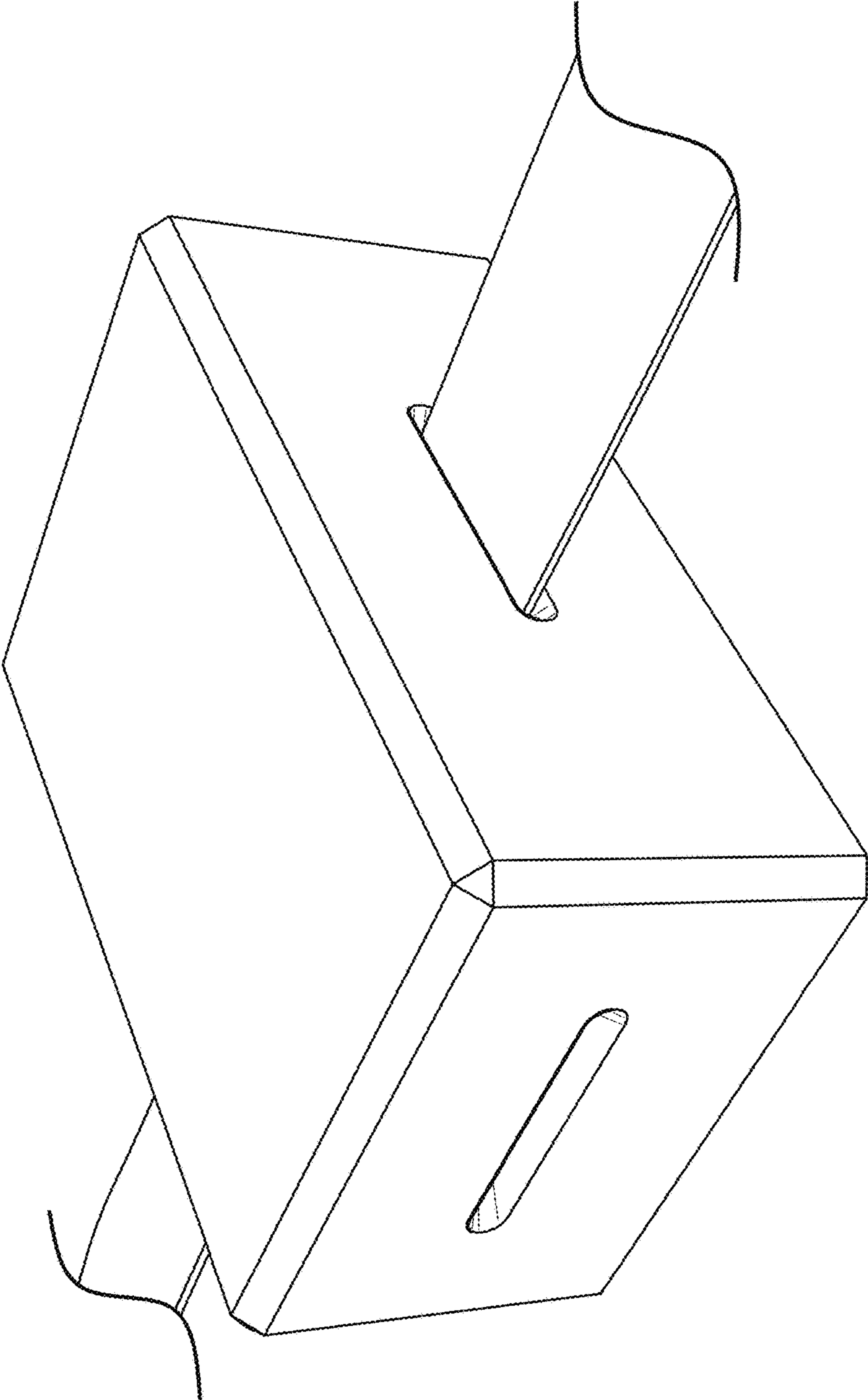


FIG. 8

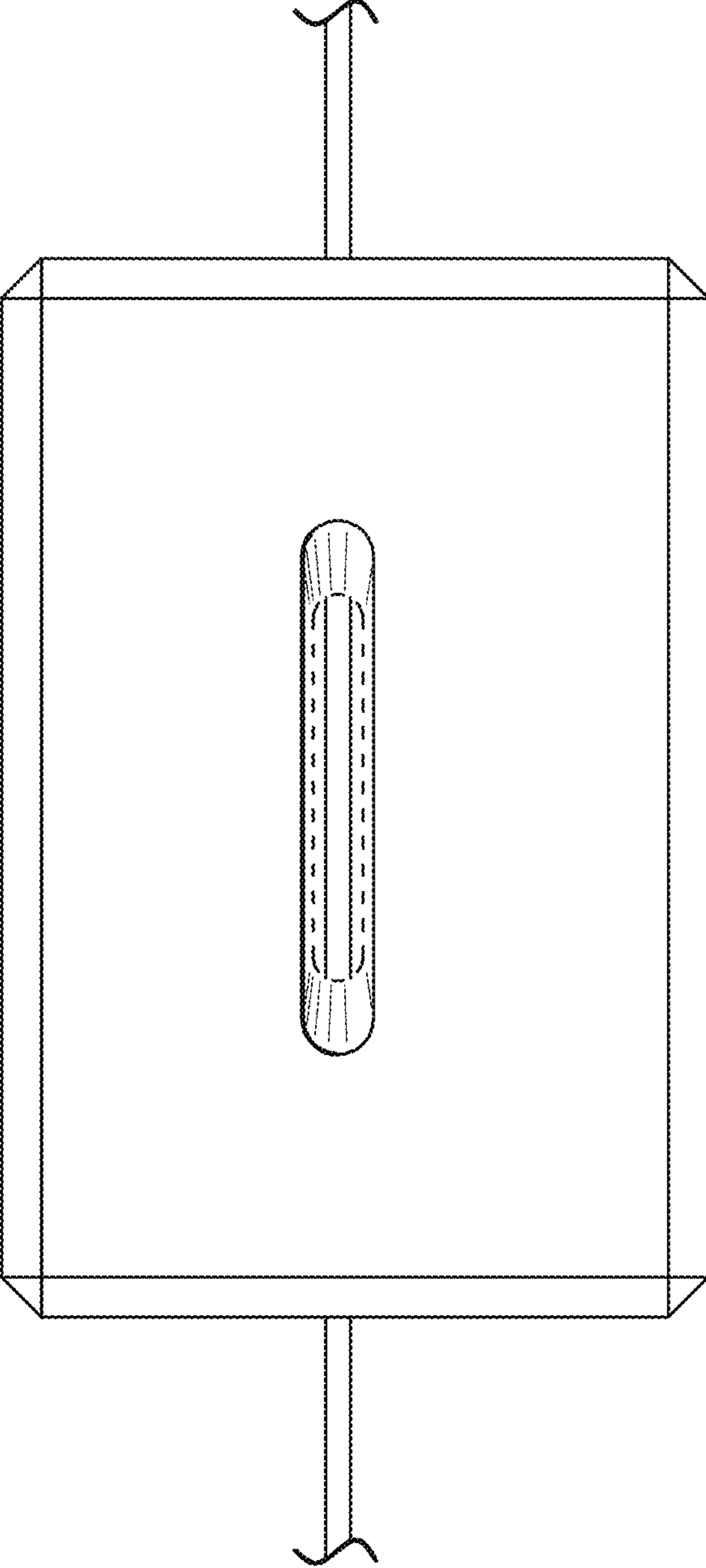


FIG. 9

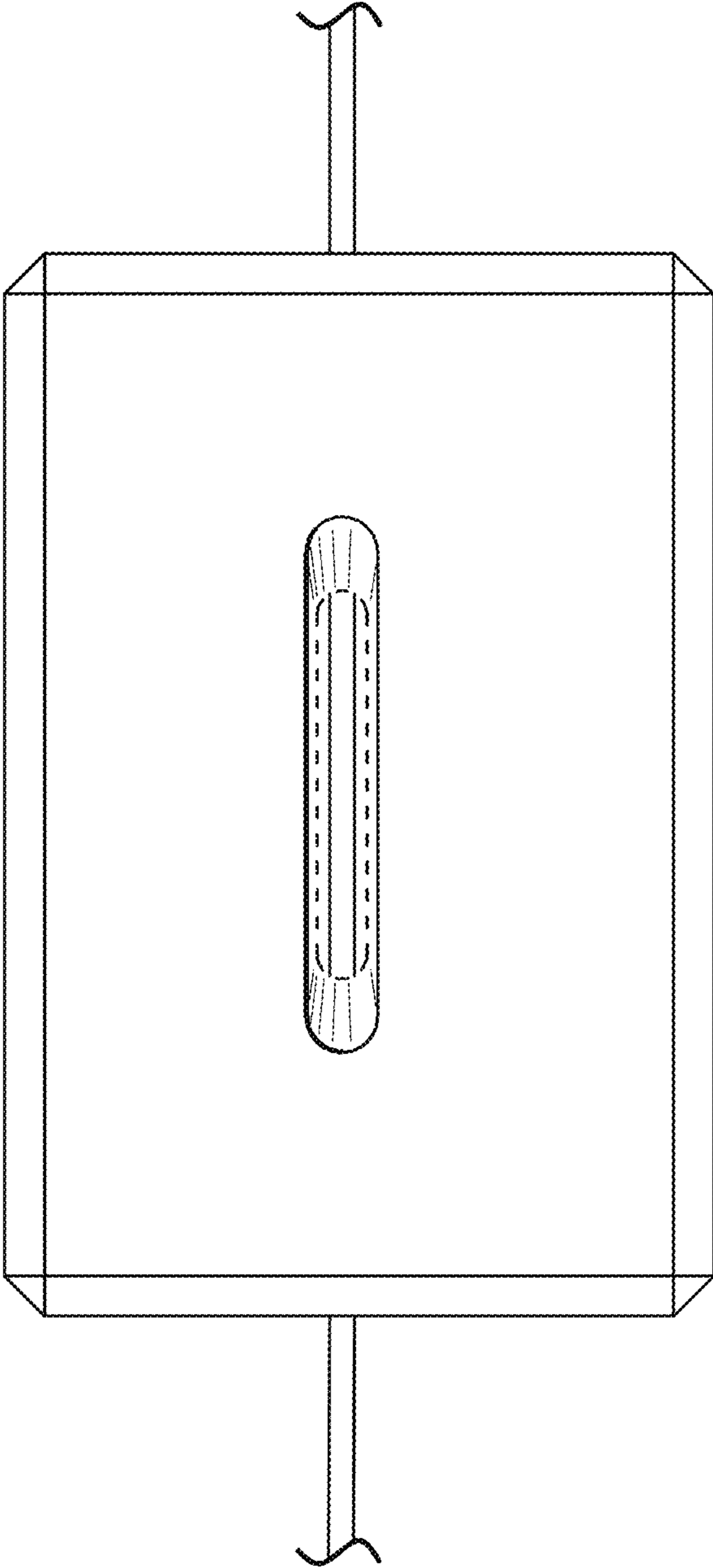


FIG. 10

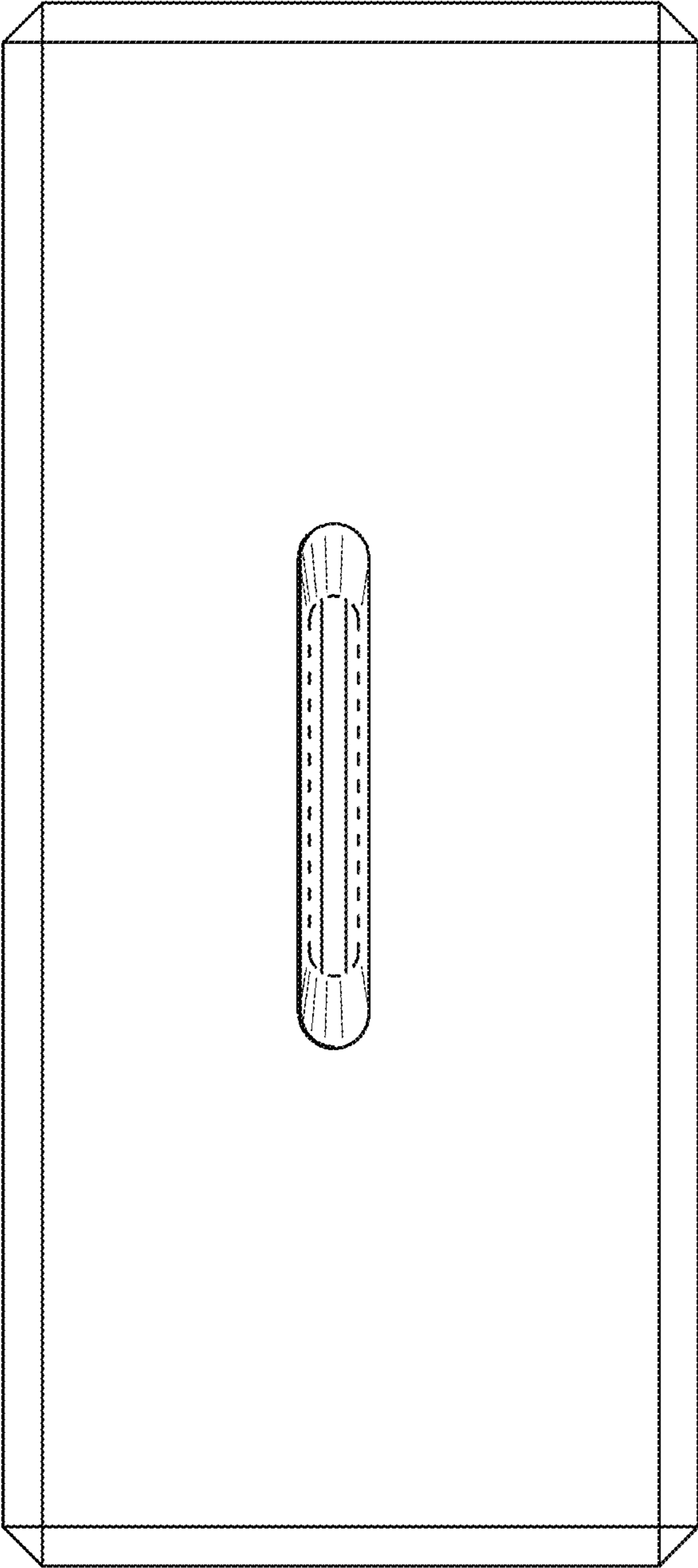


FIG. 11

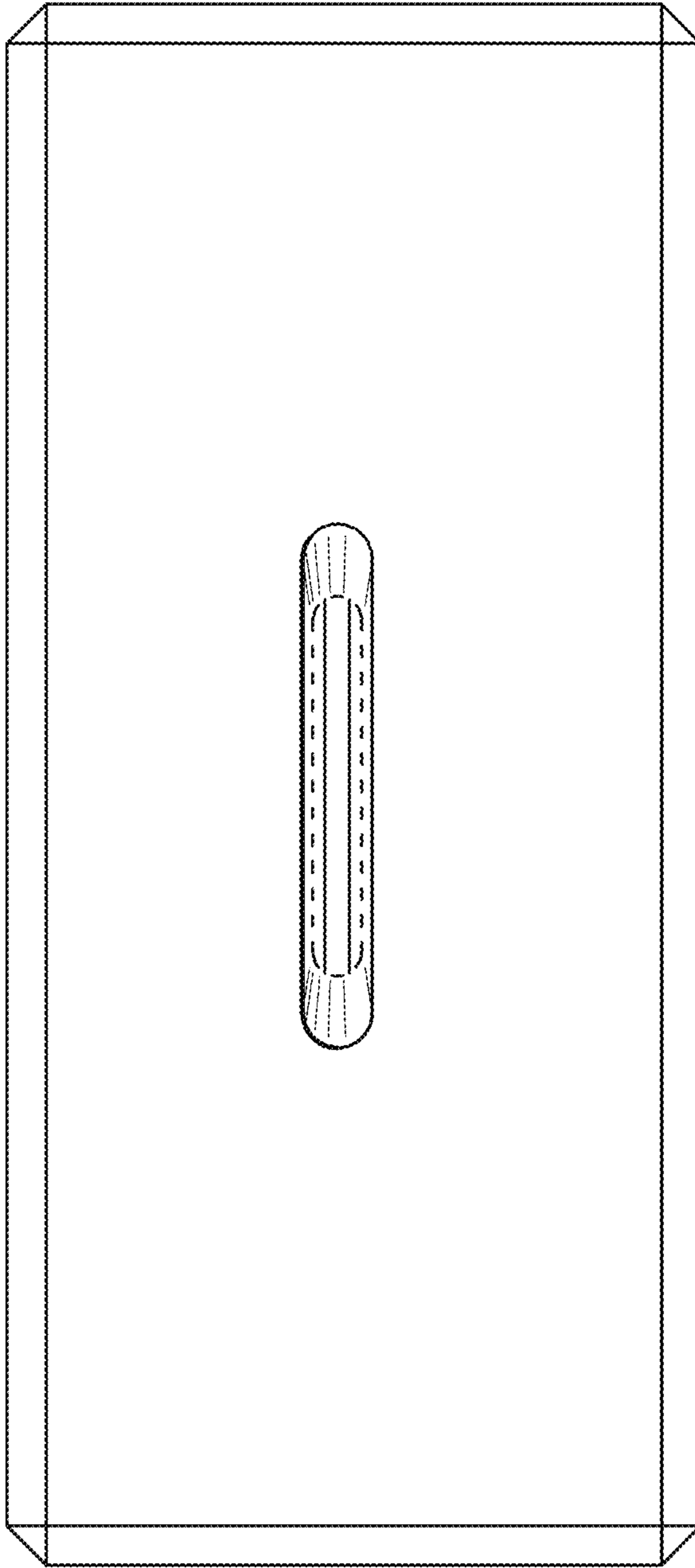


FIG. 12



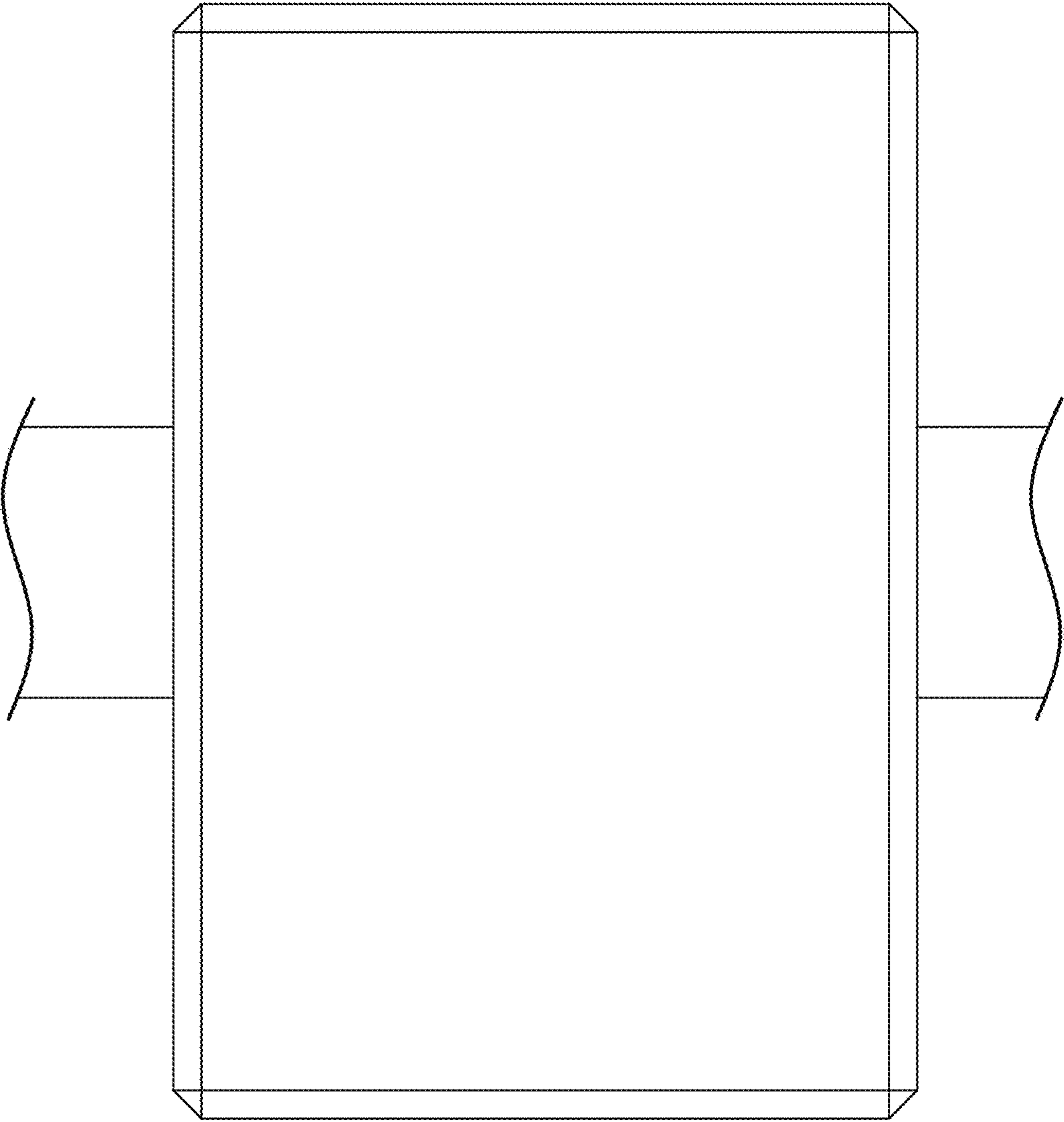


FIG. 13

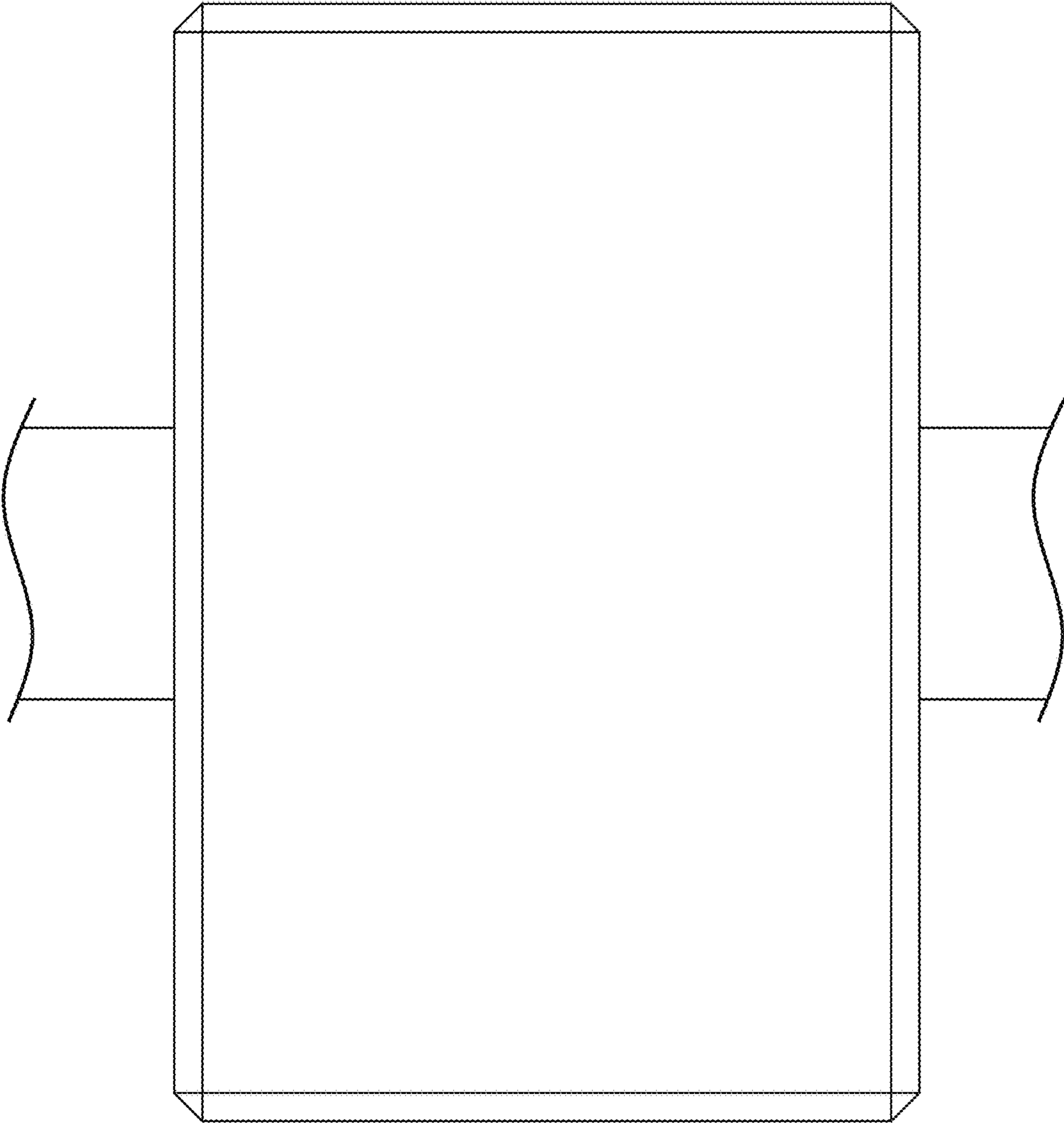


FIG. 14