



US00D837312S

(12) **United States Design Patent**
Lisi et al.

(10) **Patent No.:** **US D837,312 S**
(45) **Date of Patent:** **** Jan. 1, 2019**

(54) **EXERCISE EQUIPMENT**

(71) Applicant: **TECHNOGYM S.p.A.**, Forli-Cesena (IT)

(72) Inventors: **Ivan Lisi**, Forli-Cesena (IT); **Nerio Alessandri**, Forli-Cesena (IT)

(73) Assignee: **TECHNOGYM S.p.A.**, Forli-Cesena (IT)

(**) Term: **15 Years**

(21) Appl. No.: **29/558,040**

(22) Filed: **Mar. 15, 2016**

(30) **Foreign Application Priority Data**

Sep. 16, 2015 (EM) 002773812

(51) **LOC (11) Cl.** **21-02**

(52) **U.S. Cl.**

USPC **D21/669**

(58) **Field of Classification Search**

USPC D21/662, 668, 669, 670, 671

CPC A63B 24/0062; A63B 24/0087; A63B

24/0075; A63B 22/0605; A63B

2024/0065; A63B 21/225; A63B 21/4034;

A63B 21/4035; A63B 2220/12; A63B

22/02; A63B 22/0664; A63B 71/0622;

A63B 2024/0068; A63B 2024/0093

See application file for complete search history.

(56) **References Cited**

U.S. PATENT DOCUMENTS

D358,436 S * 5/1995 Piaget D21/669

D384,925 S * 10/1997 Pawsat D12/178

D604,212 S * 11/2009 Carlini D12/178

D664,079 S * 7/2012 Lujan D12/178

D687,753 S * 8/2013 Carlini D12/178

D704,778 S * 5/2014 Decommer D21/669
D726,607 S * 4/2015 Rickard D12/178
D729,032 S * 5/2015 Gu D8/303
9,694,234 B2 * 7/2017 Dalebout A63B 22/02
2012/0010048 A1 * 1/2012 Bayerlein A63B 21/0053
482/2
2013/0231219 A1 * 9/2013 Huang A63B 22/02
482/54
2014/0121066 A1 * 5/2014 Huang A63B 22/02
482/54

* cited by examiner

Primary Examiner — Caron D Veynar

Assistant Examiner — Katrina N Gonzalez

(74) *Attorney, Agent, or Firm* — Thomas I Horstemeyer, LLP

(57) **CLAIM**

The ornamental design for exercise equipment, as shown and described.

DESCRIPTION

FIG. 1 is a perspective view of exercise equipment showing our new design;

FIG. 2 is a front view of our new exercise equipment of FIG. 1;

FIG. 3 is a rear view of our new exercise equipment of FIG. 1;

FIG. 4 is a side view of our new exercise equipment of FIG. 1;

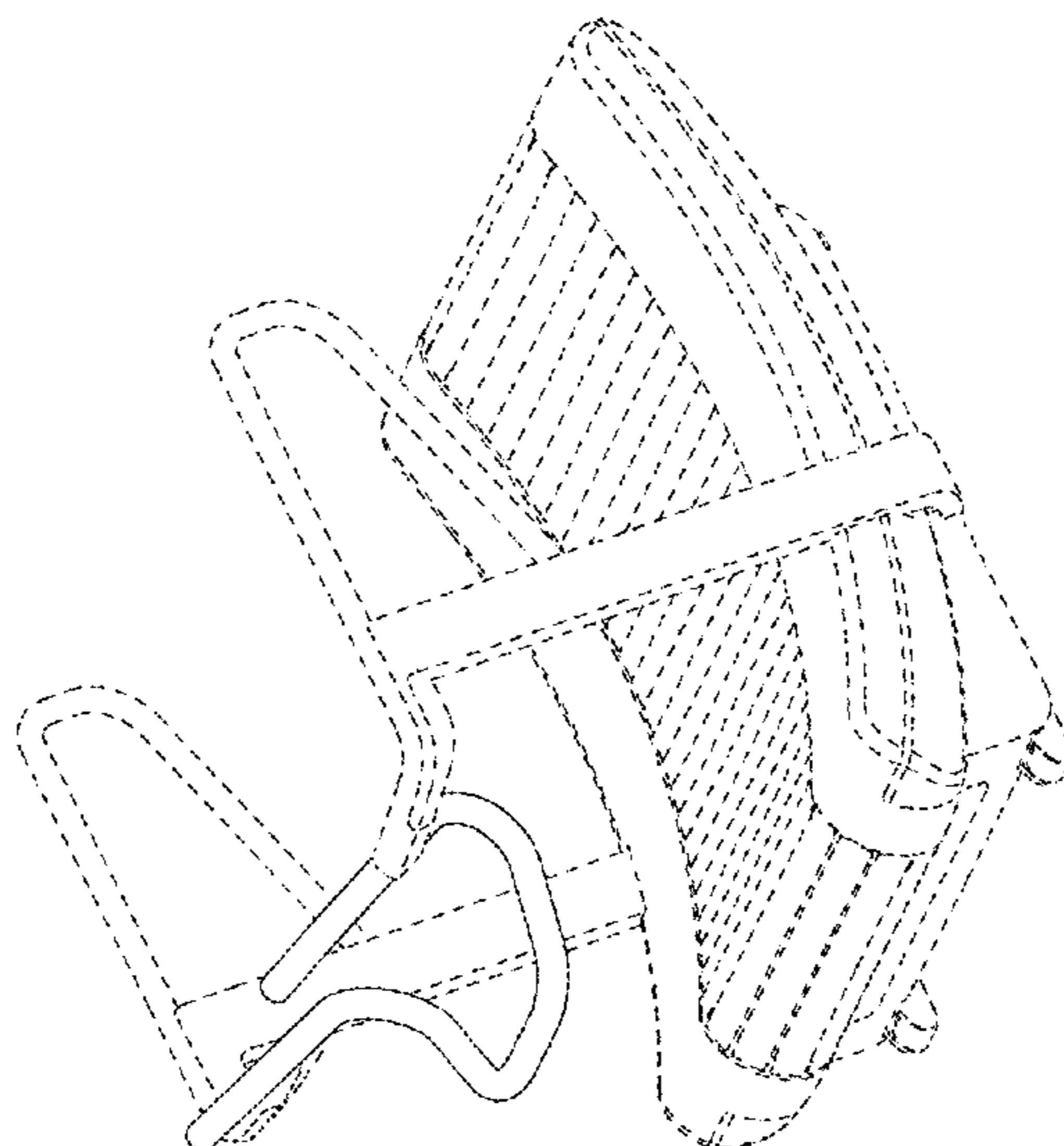
FIG. 5 is a side view of our new exercise equipment of FIG. 1;

FIG. 6 is a top view of our new exercise equipment of FIG. 1; and,

FIG. 7 is a bottom view of our new exercise equipment of 1.

The broken lines are shown for the purpose of illustrating portions of the article that form no part of the claimed design.

1 Claim, 7 Drawing Sheets



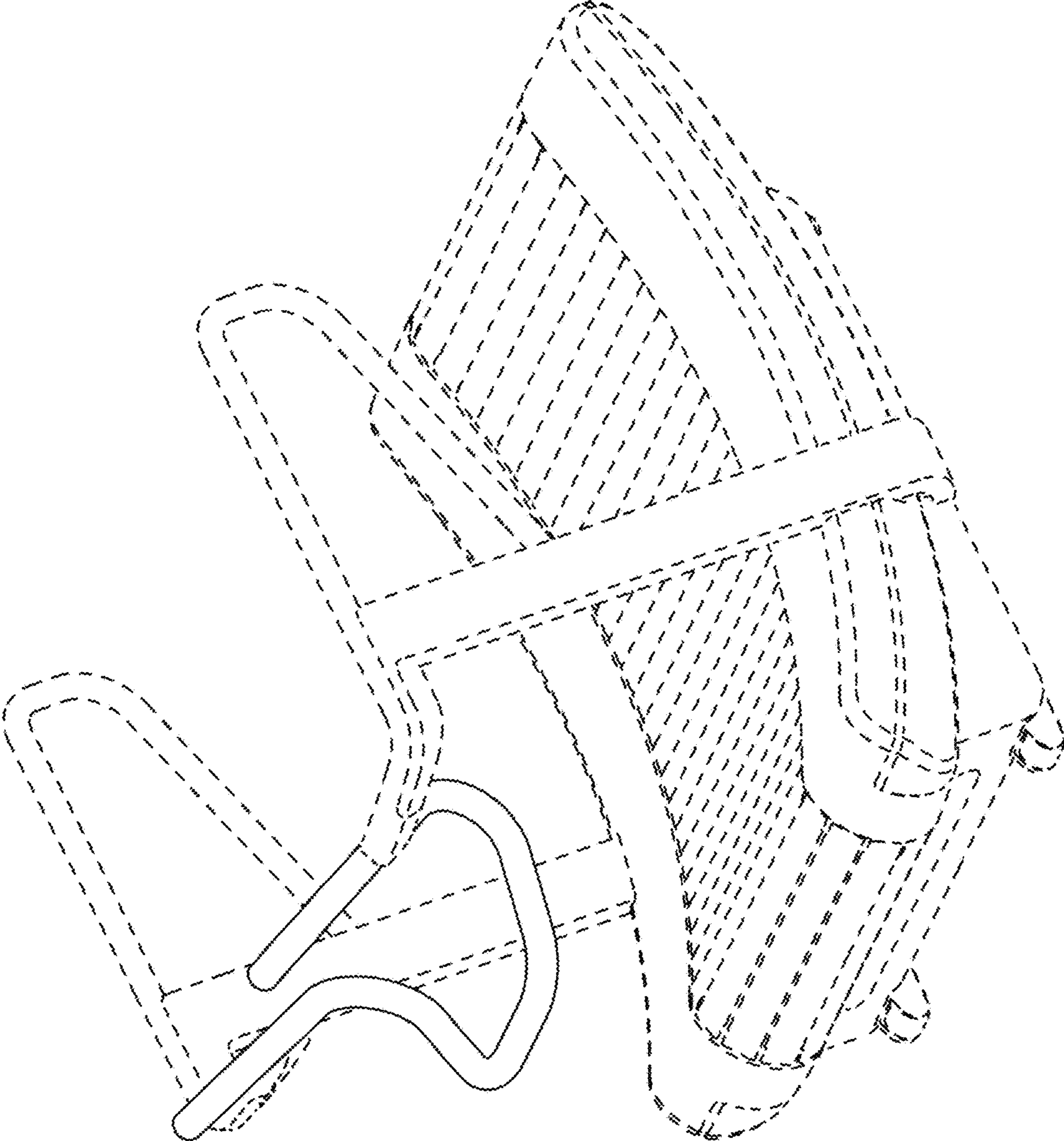


FIG. 1

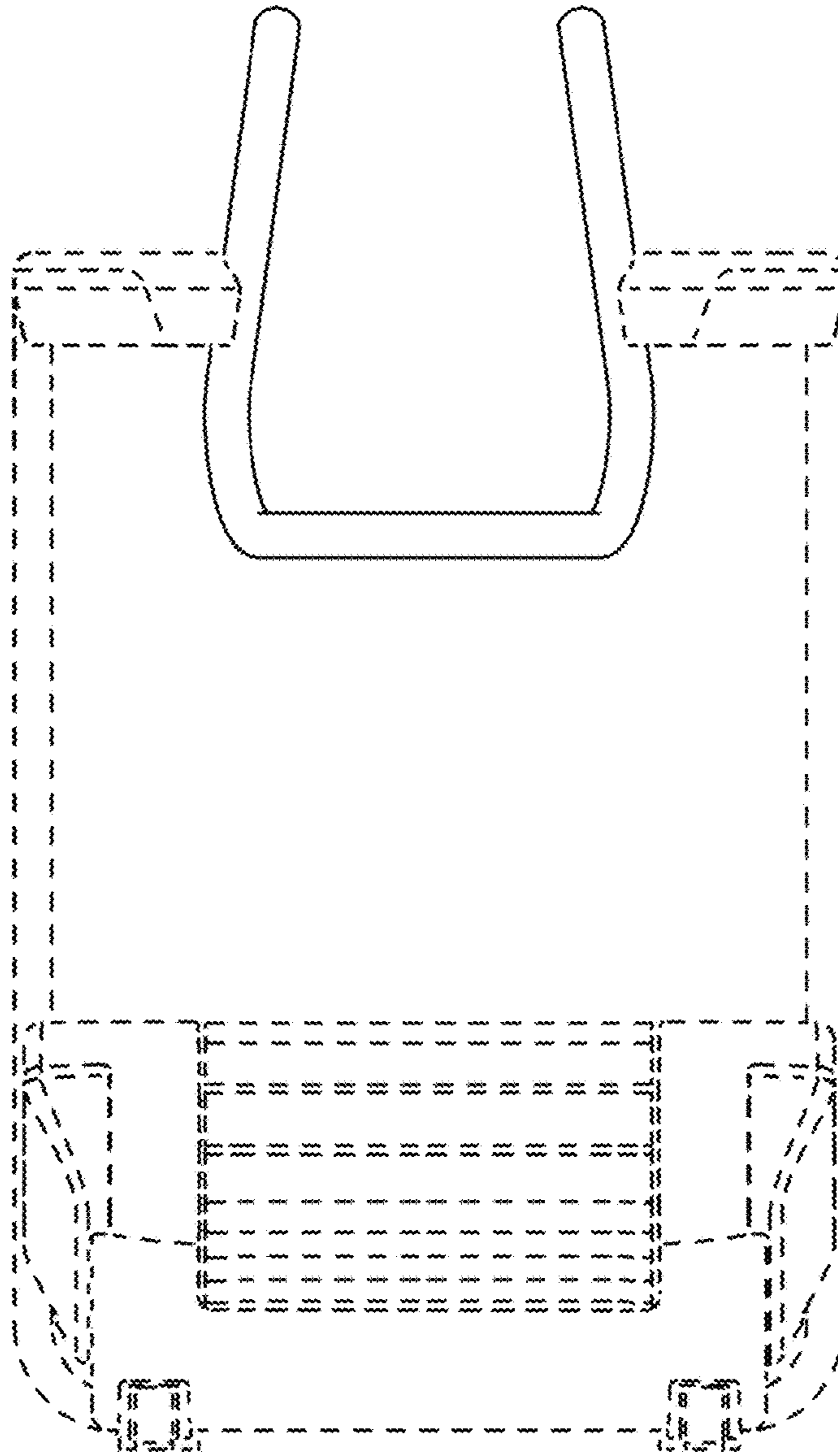


FIG. 2

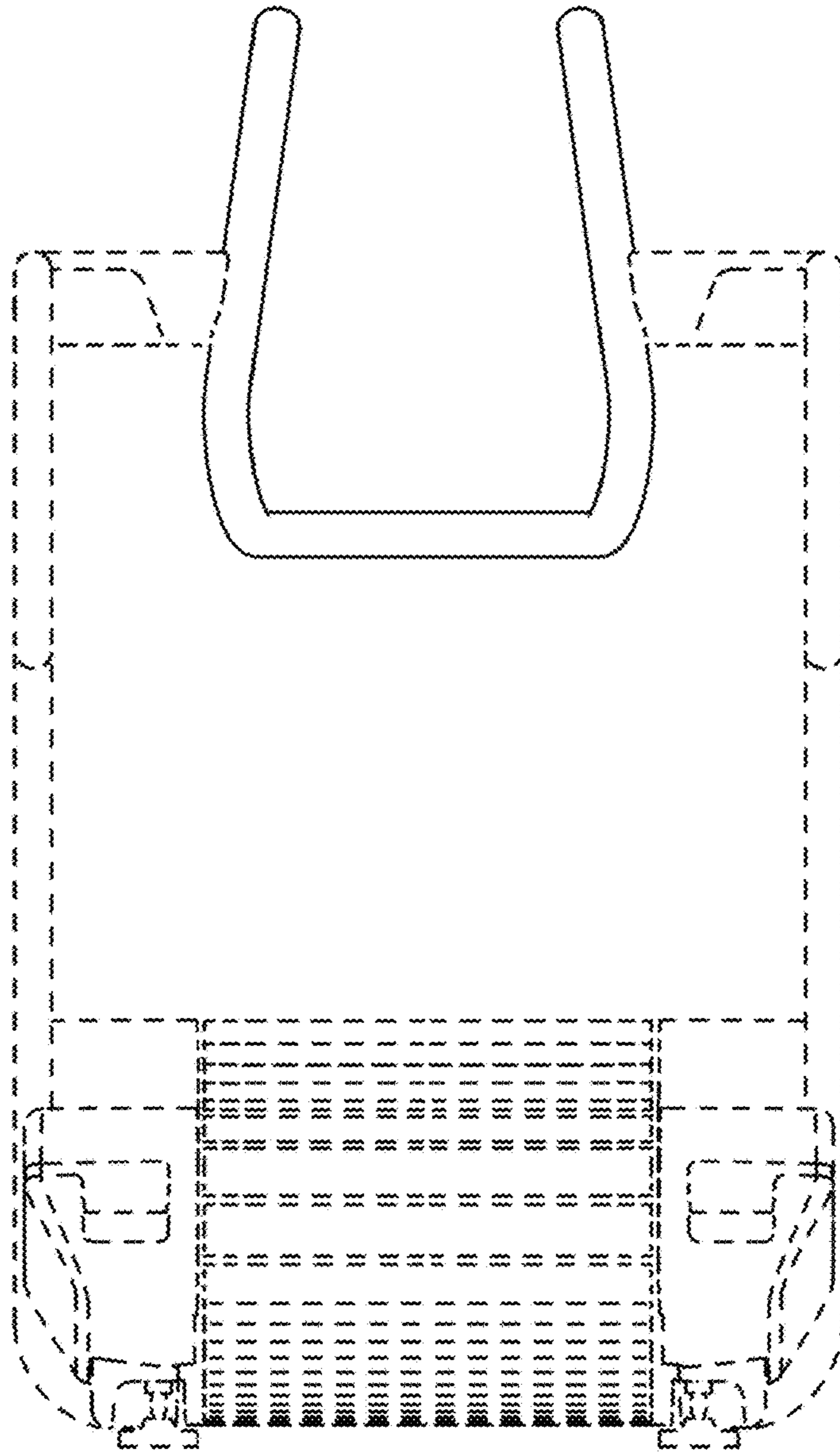


FIG. 3

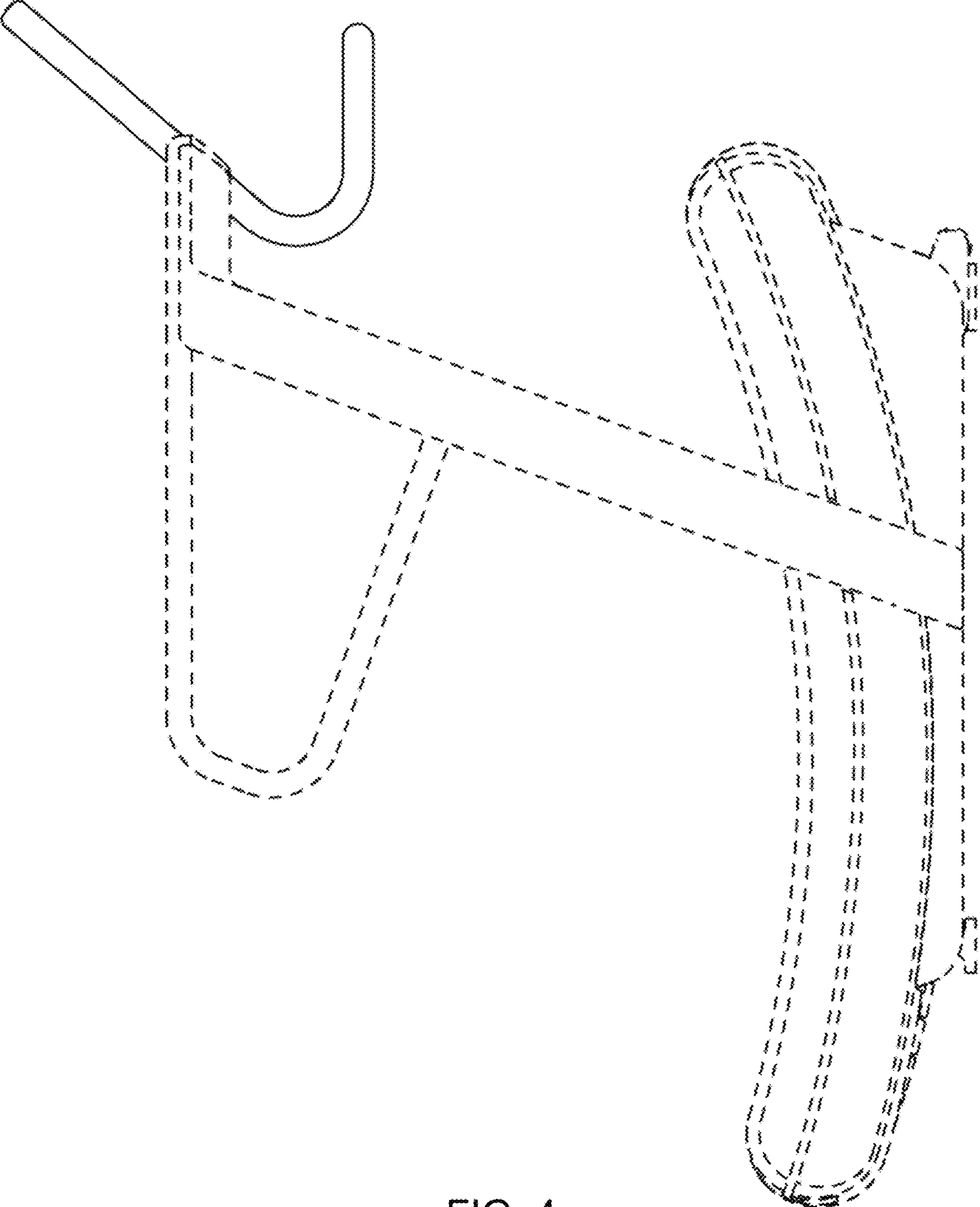


FIG. 4

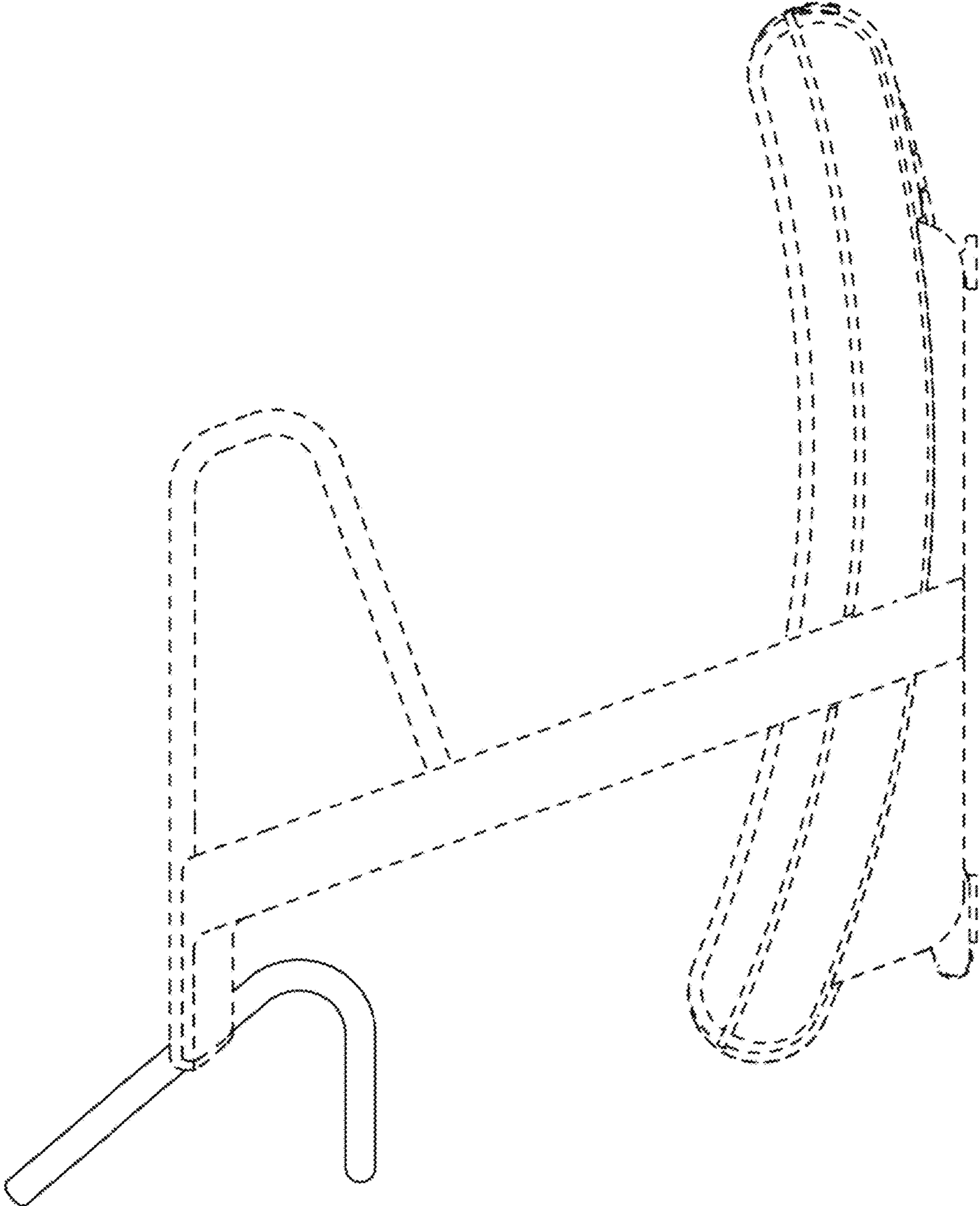


FIG. 5

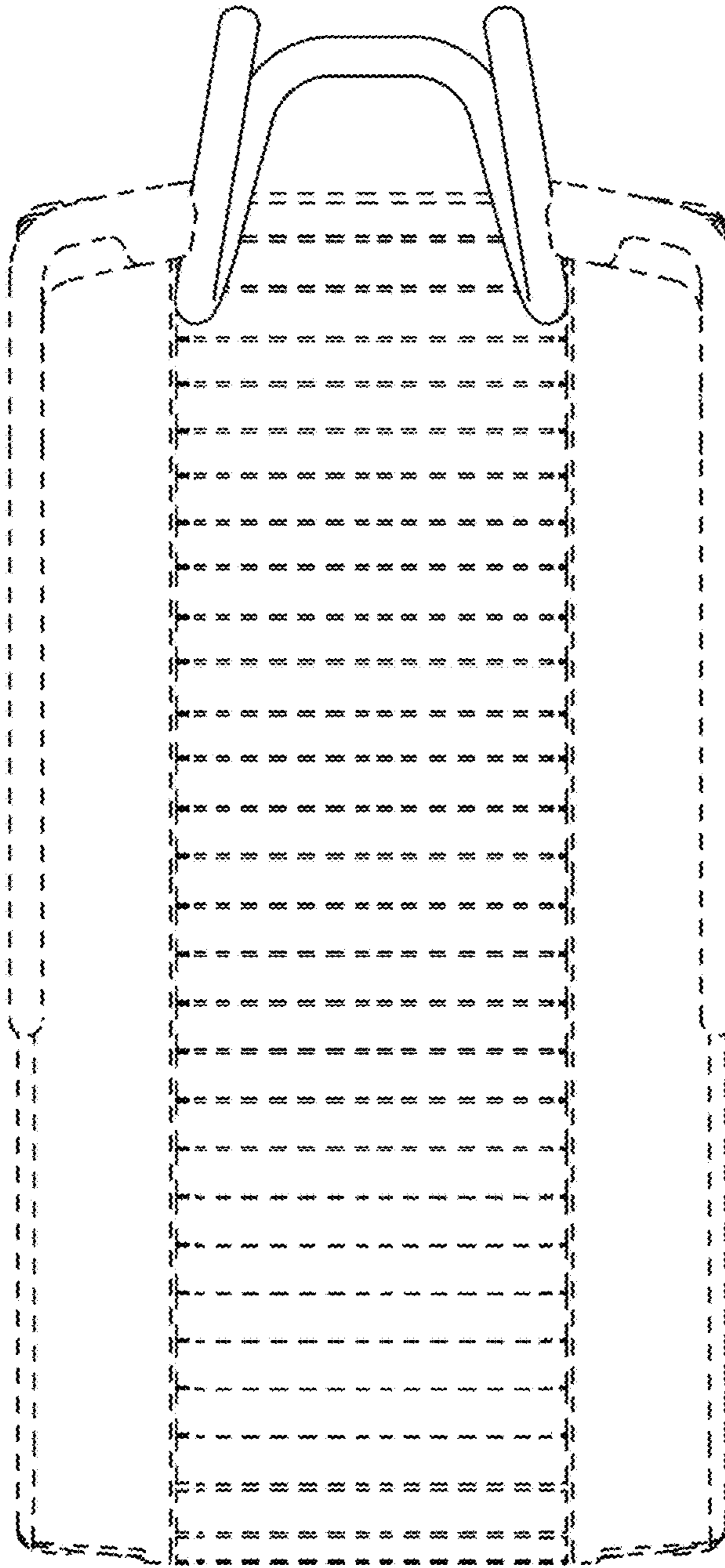


FIG. 6

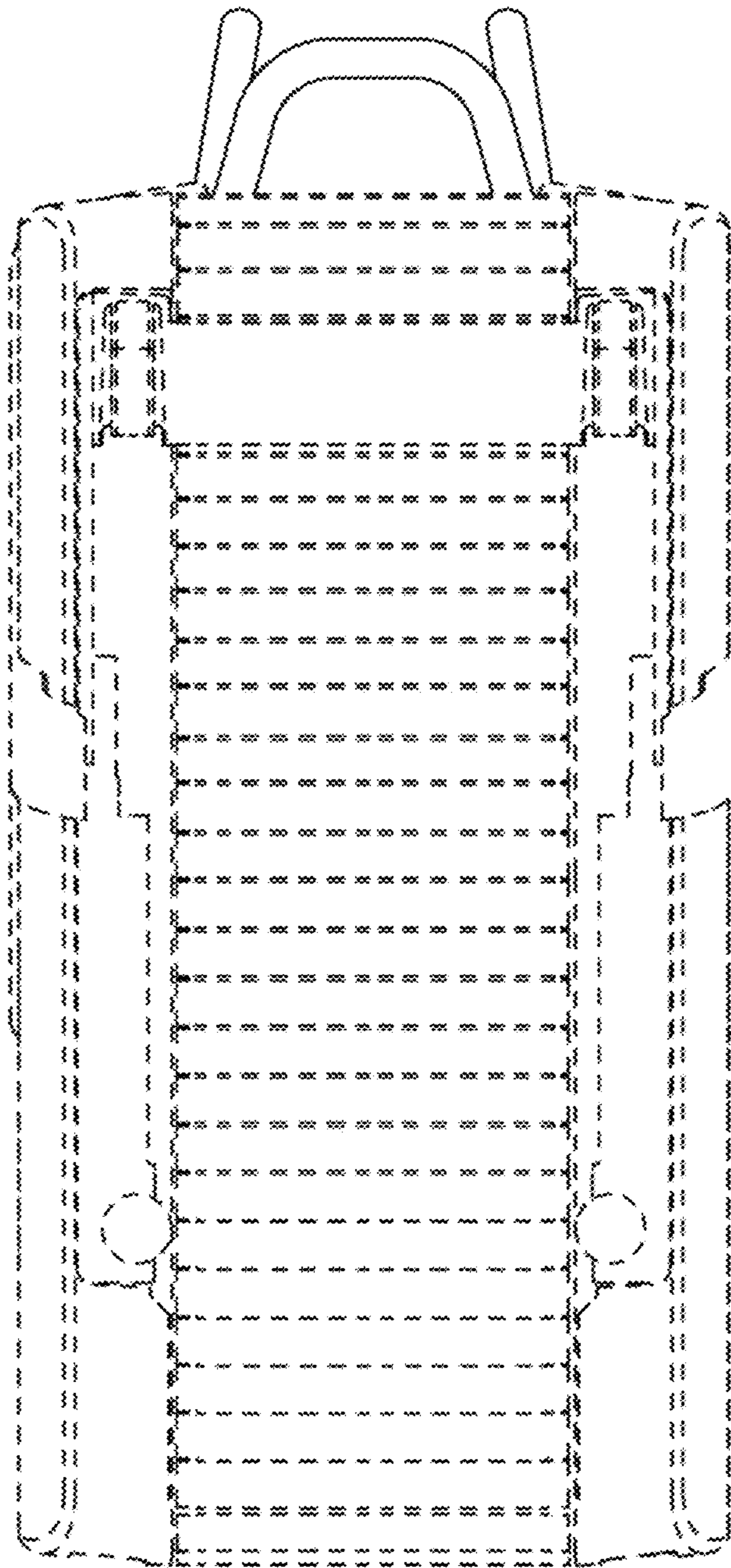


FIG. 7