



US00D837309S

(12) **United States Design Patent**
Weeks

(10) **Patent No.:** **US D837,309 S**

(45) **Date of Patent:** **** Jan. 1, 2019**

(54) **FOLDABLE SQUARE BEAR**
(71) Applicant: **David Weeks**, New York, NY (US)
(72) Inventor: **David Weeks**, New York, NY (US)
(73) Assignee: **David Weeks Studio, LLC**, New York, NY (US)

(**) Term: **15 Years**

(21) Appl. No.: **29/619,690**

(22) Filed: **Sep. 29, 2017**

(51) **LOC (11) Cl.** **21-01**

(52) **U.S. Cl.**
USPC **D21/604**

(58) **Field of Classification Search**
USPC D6/598; D11/158, 162; D21/576–596,
D21/604–605, 611–613, 621;
446/368–369, 376, 428, 487; 180/8.6;
D30/160
CPC ... A63H 3/00; A63H 3/02; A63H 3/04; A63H
3/16; A63H 3/28; A63H 33/00; A63H
7/06; A63H 11/00; A63H 11/10; A63H
11/20; A63H 13/00; A63H 33/04; A63H
33/08; A63H 33/042

See application file for complete search history.

(56) **References Cited**

U.S. PATENT DOCUMENTS

D104,025 S * 4/1937 Frederick et al. D21/604
D169,420 S * 4/1953 Campbell D21/585
4,789,369 A * 12/1988 Lyman A63H 33/042
446/101
D306,621 S * 3/1990 Doi D21/579

D311,046 S * 10/1990 Yaneck D21/604
D334,783 S * 4/1993 Saunders D21/604
D356,612 S * 3/1995 Mayuzumi A63H 33/042
D21/604
D472,283 S * 3/2003 Akashi D21/578
D639,354 S 6/2011 Weeks
D688,754 S * 8/2013 Chambers D21/604

* cited by examiner

Primary Examiner — Sandra L Morris

(74) *Attorney, Agent, or Firm* — Charles H Jew

(57) **CLAIM**

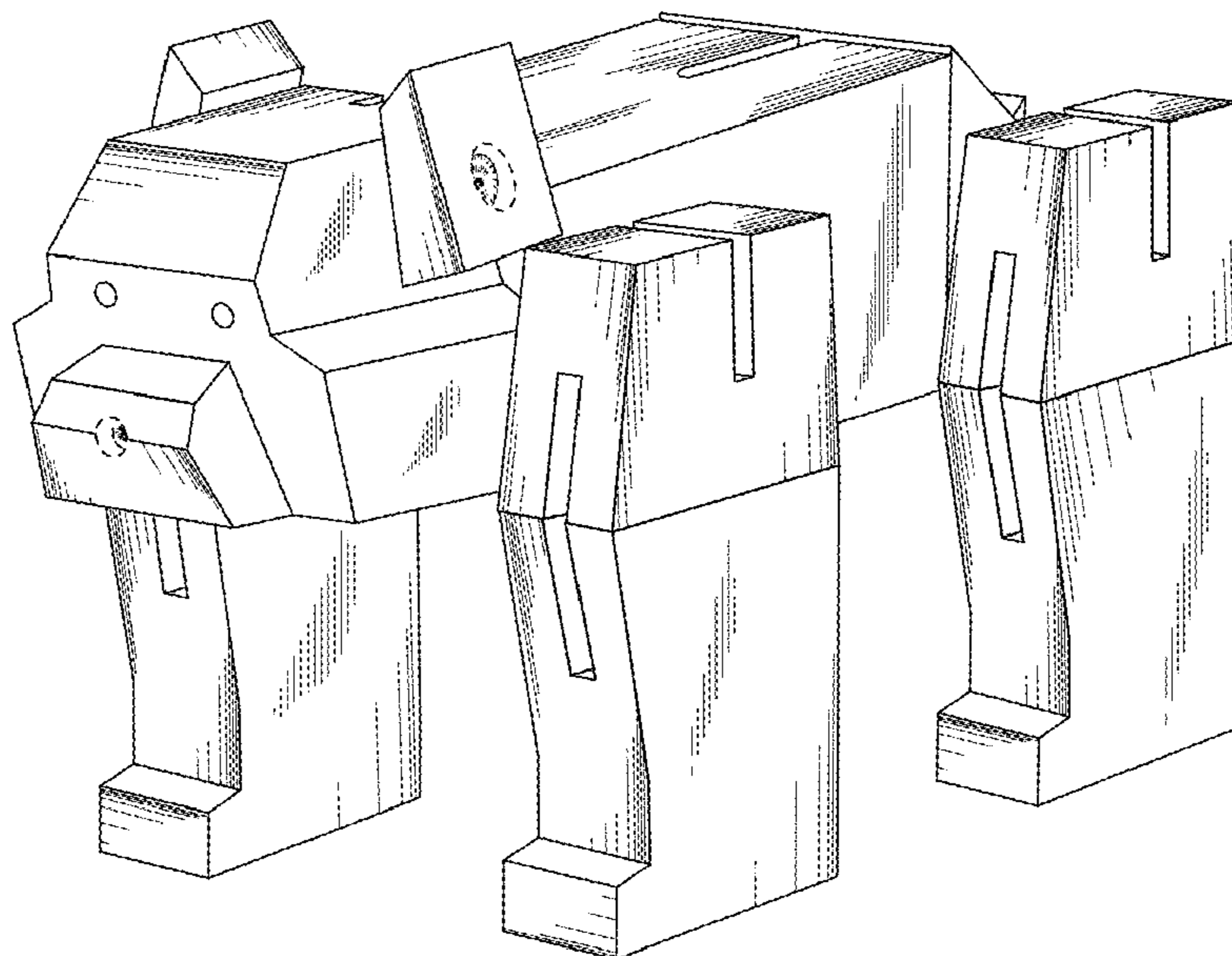
The ornamental design for a foldable square bear, as shown and described.

DESCRIPTION

FIG. 1 is a front side elevational view of a foldable square bear showing my novel design in an open configuration; FIG. 2 is a rear side elevational view thereof; FIG. 3 is a left elevational view thereof; FIG. 4 is a right elevational view thereof; FIG. 5 is a top plan view thereof; FIG. 6 is a bottom plan view thereof; FIG. 7 is a front perspective view thereof; FIG. 8 is a front side elevational view of the foldable square bear in a folded configuration; FIG. 9 is a rear side elevational view thereof; FIG. 10 is a left elevational view thereof; FIG. 11 is a right elevational view thereof; FIG. 12 is a top plan view thereof; FIG. 13 is a bottom plan view thereof; and, FIG. 14 is a front perspective view thereof.

The broken lines are included for the purpose of illustrating a portion of the design that forms no part of the claimed design.

1 Claim, 3 Drawing Sheets



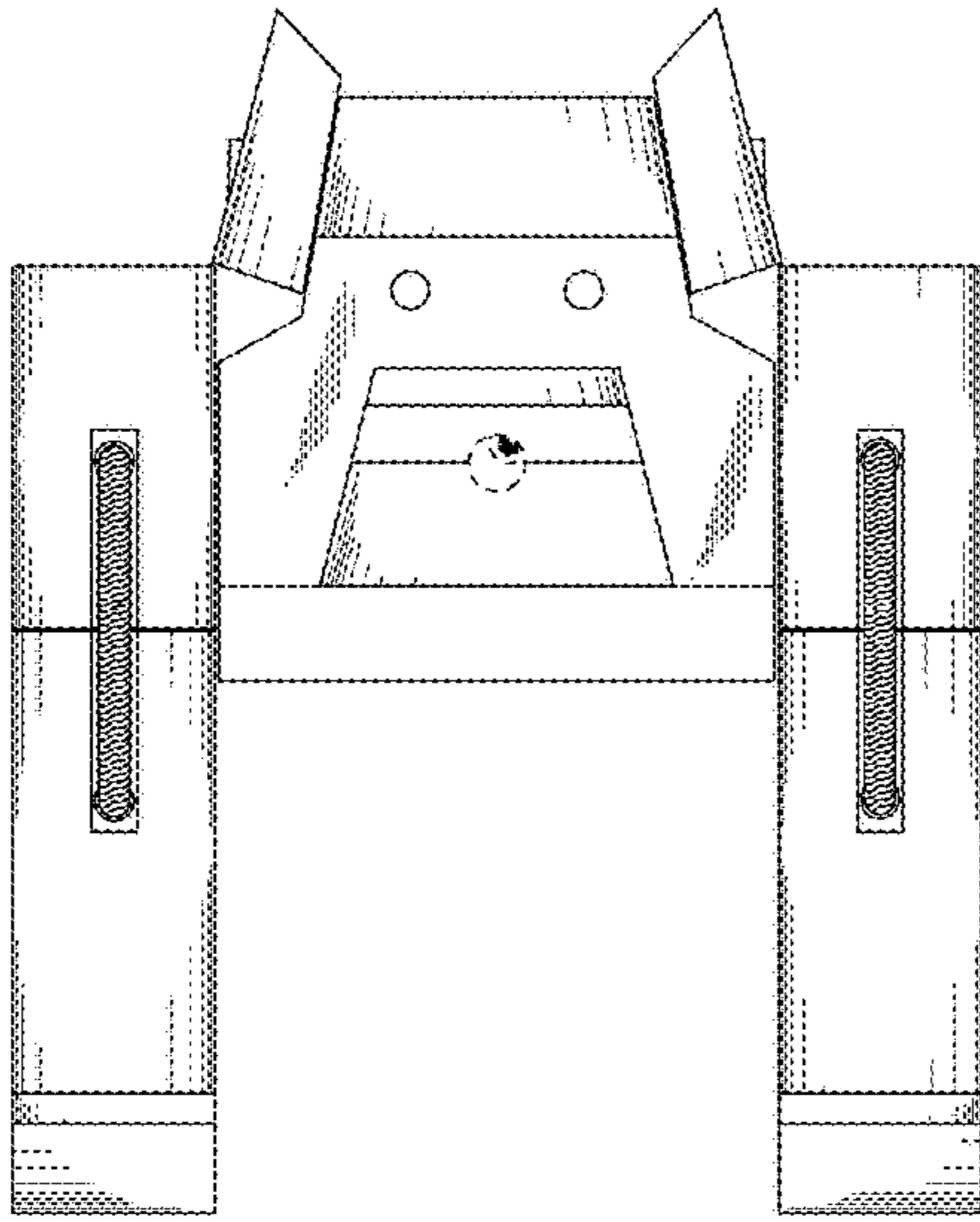


FIG. 1

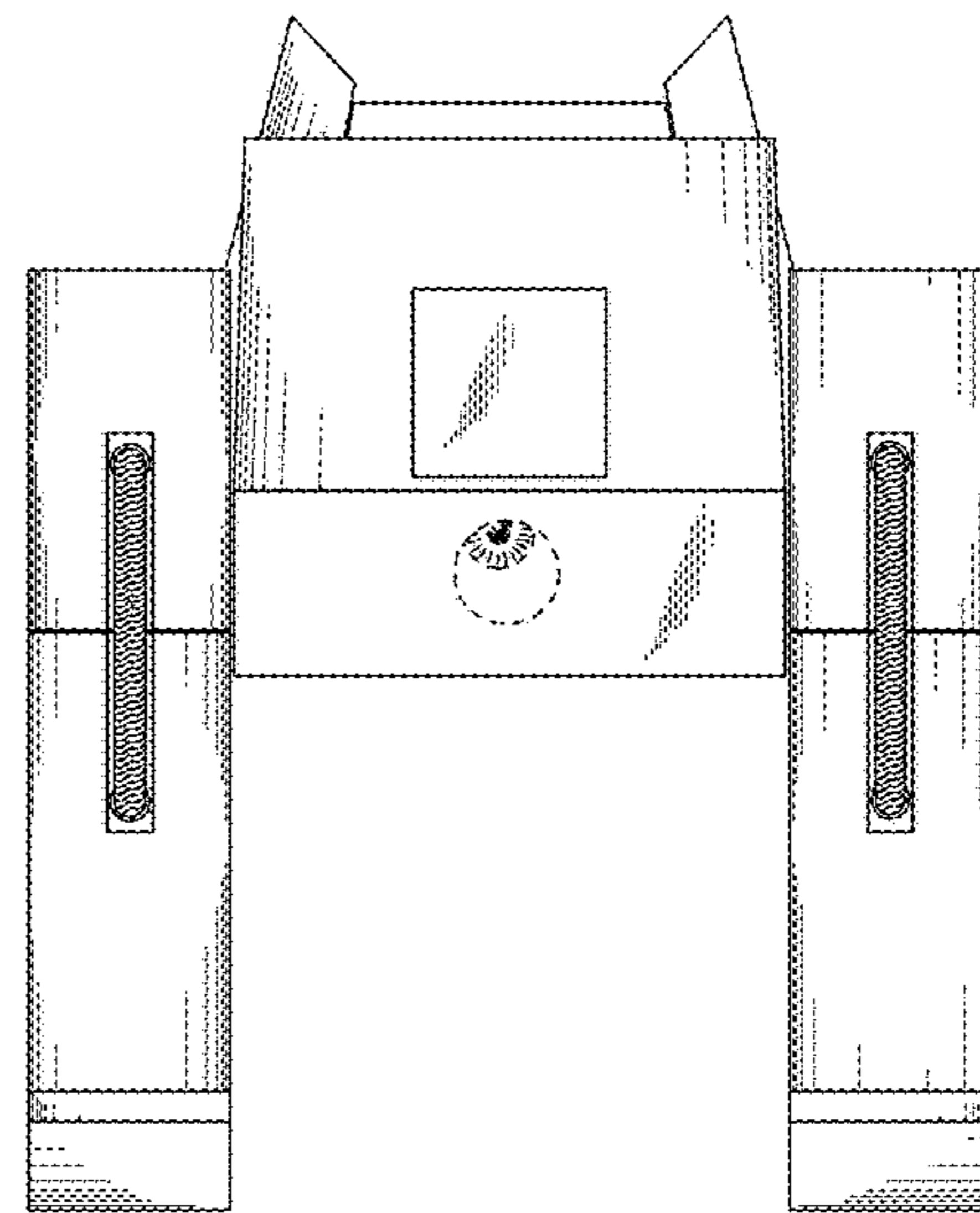


FIG. 2

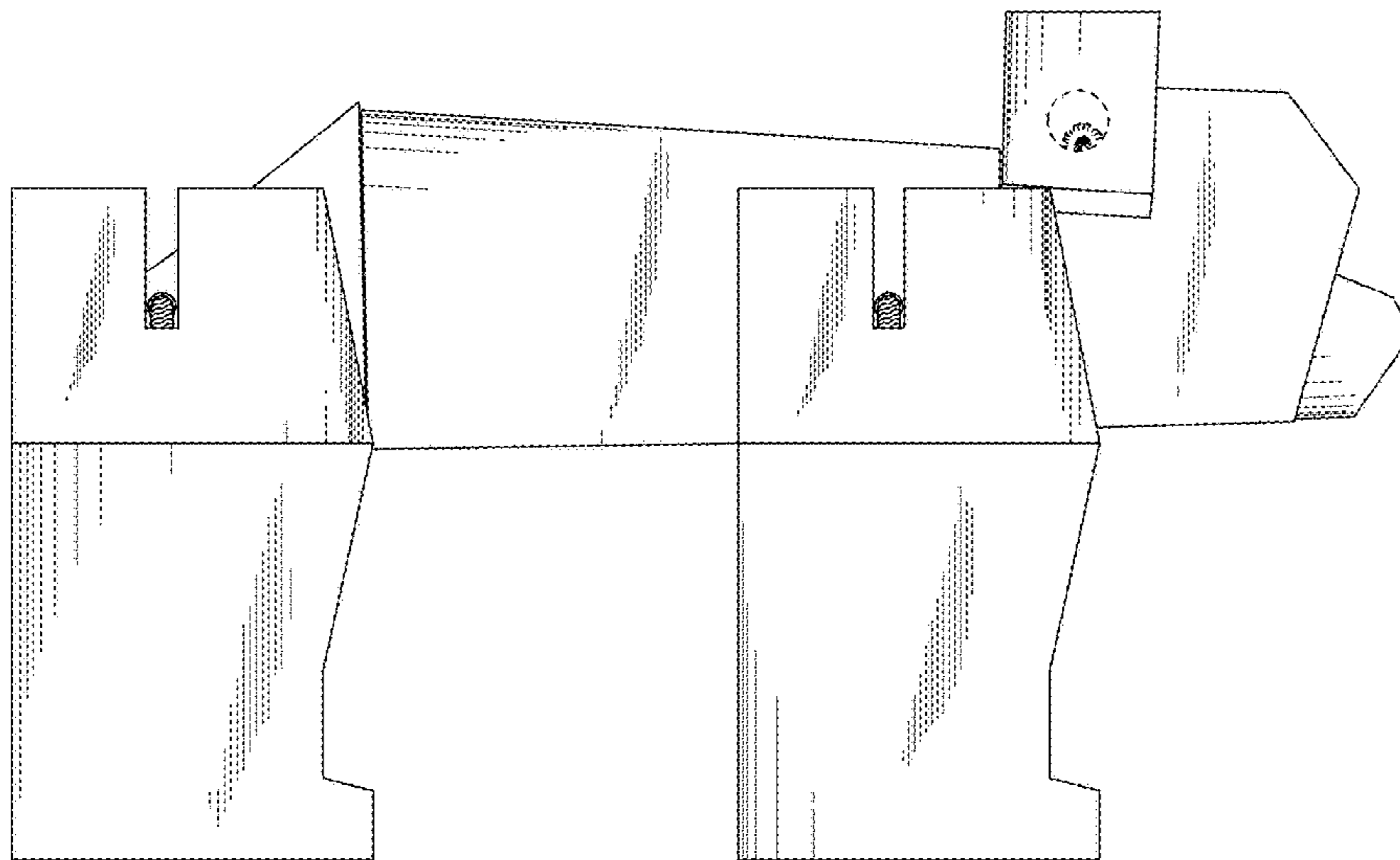


FIG. 3

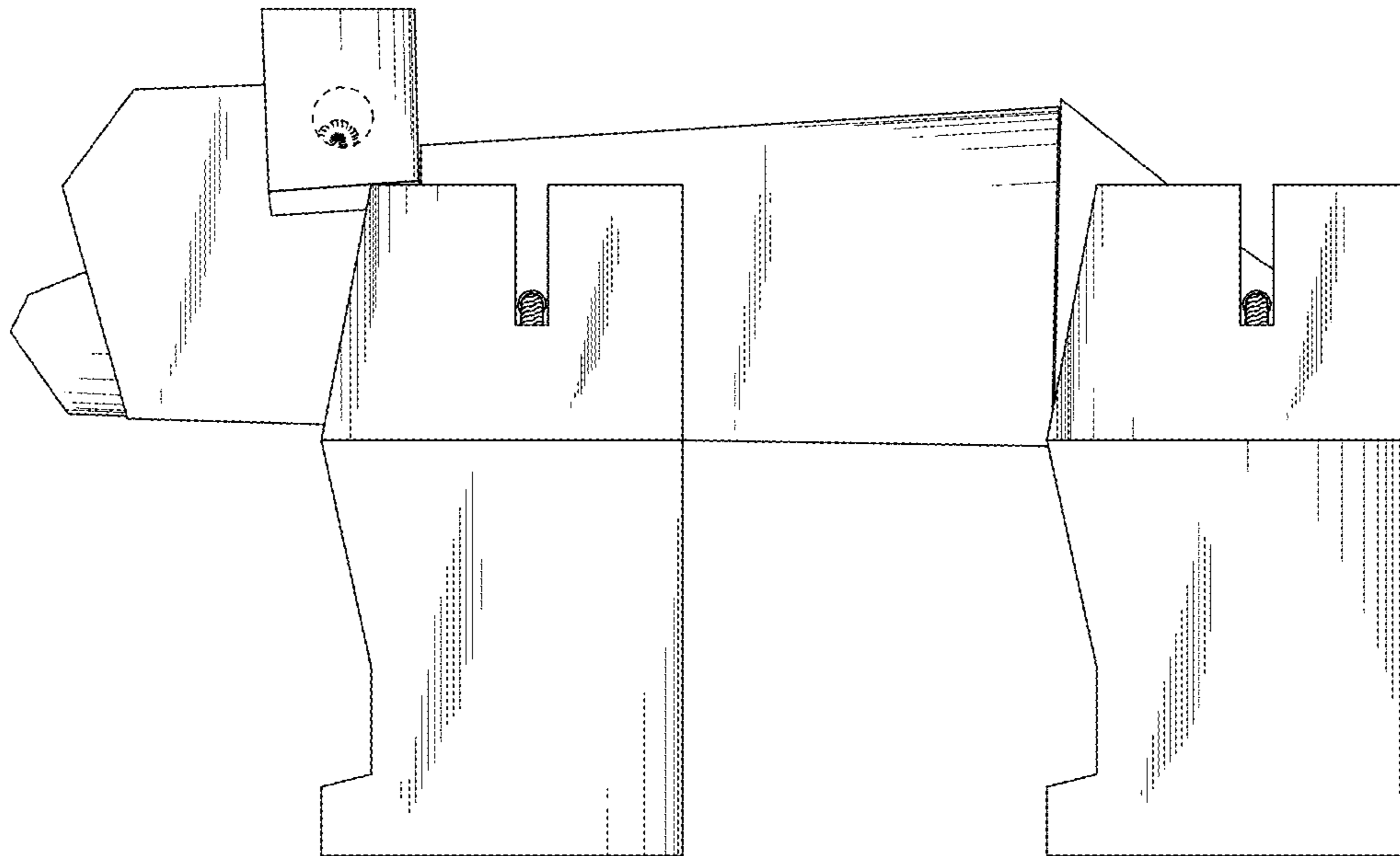


FIG. 4

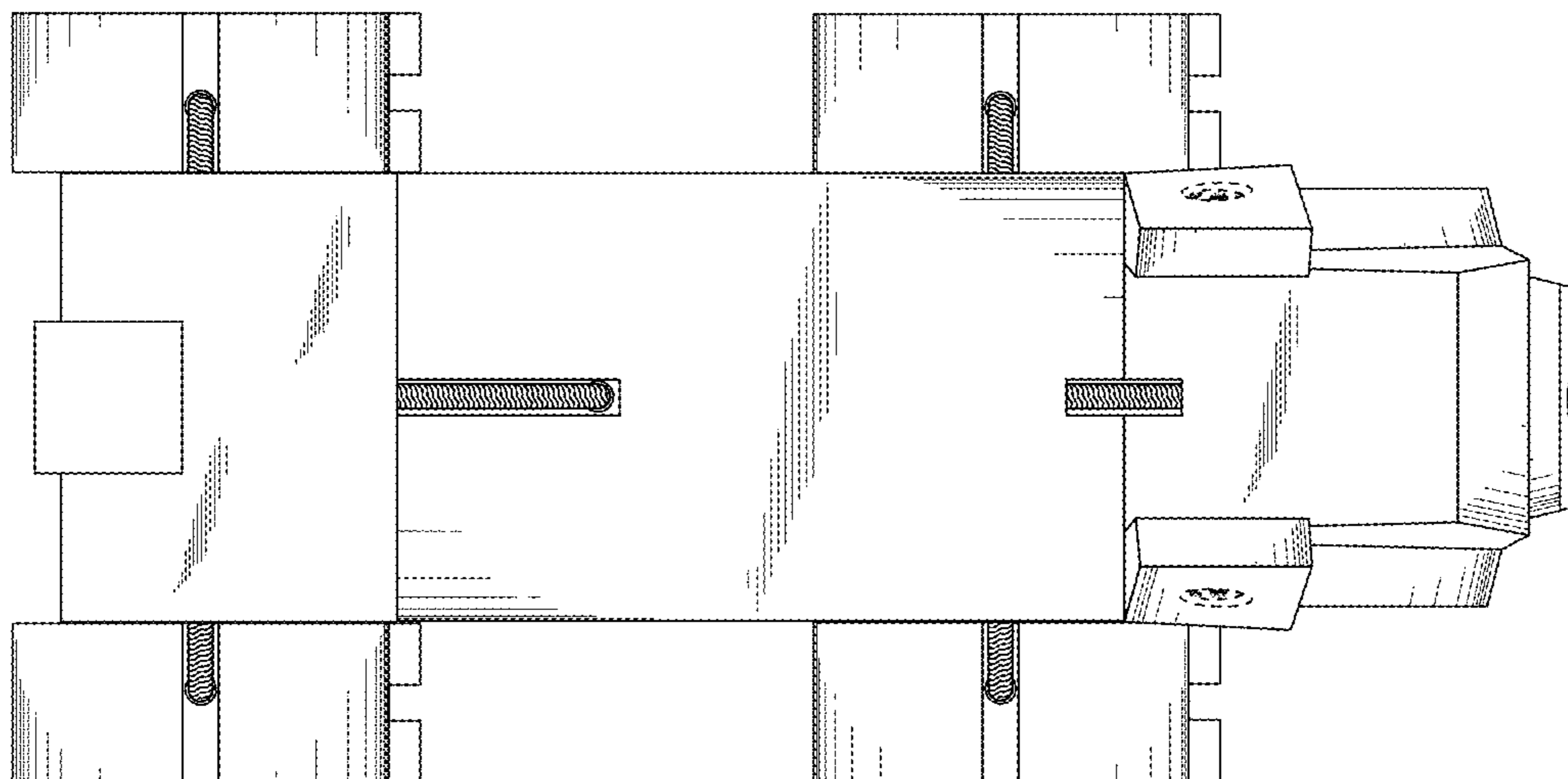


FIG. 5

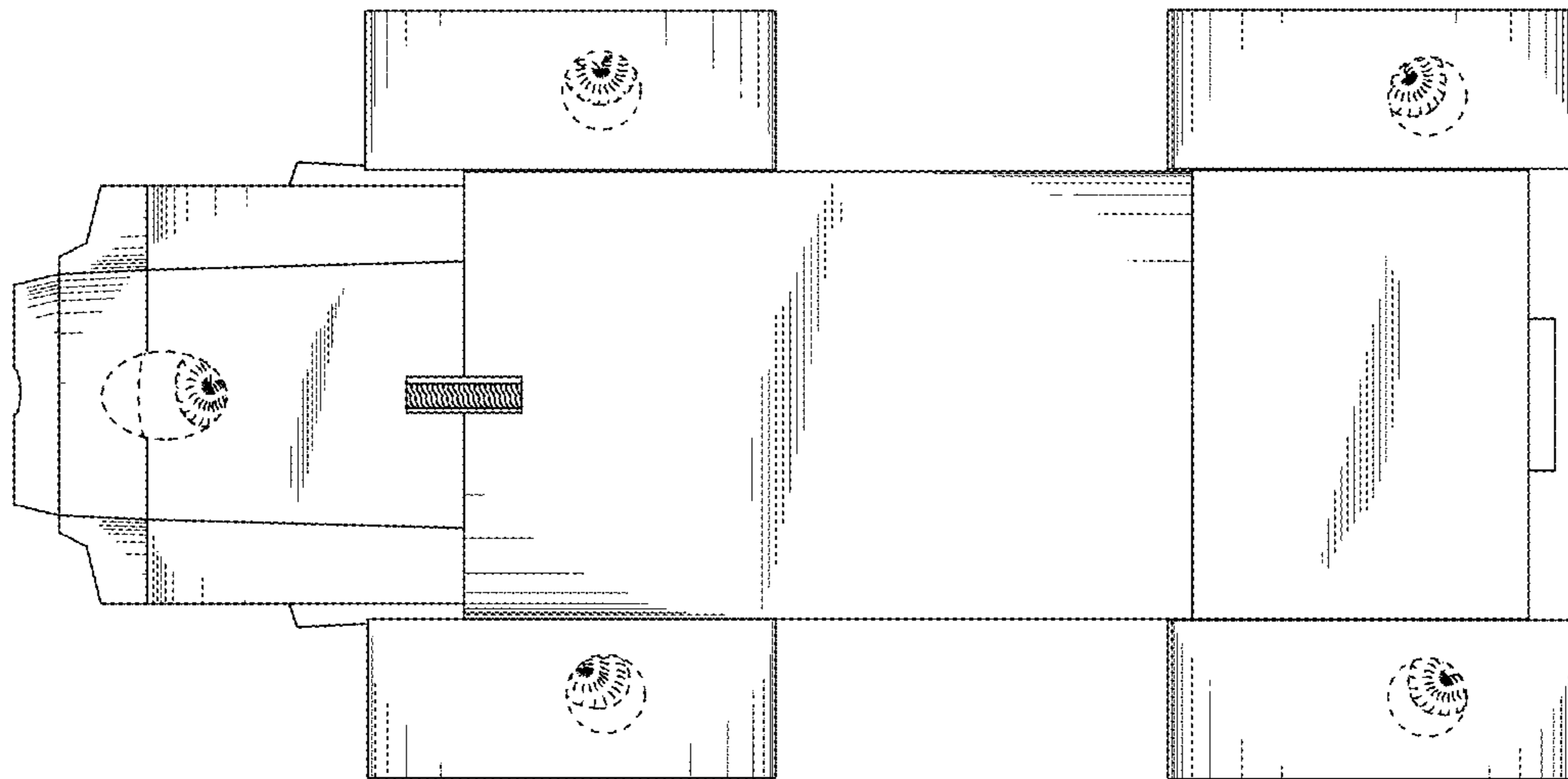


FIG. 6

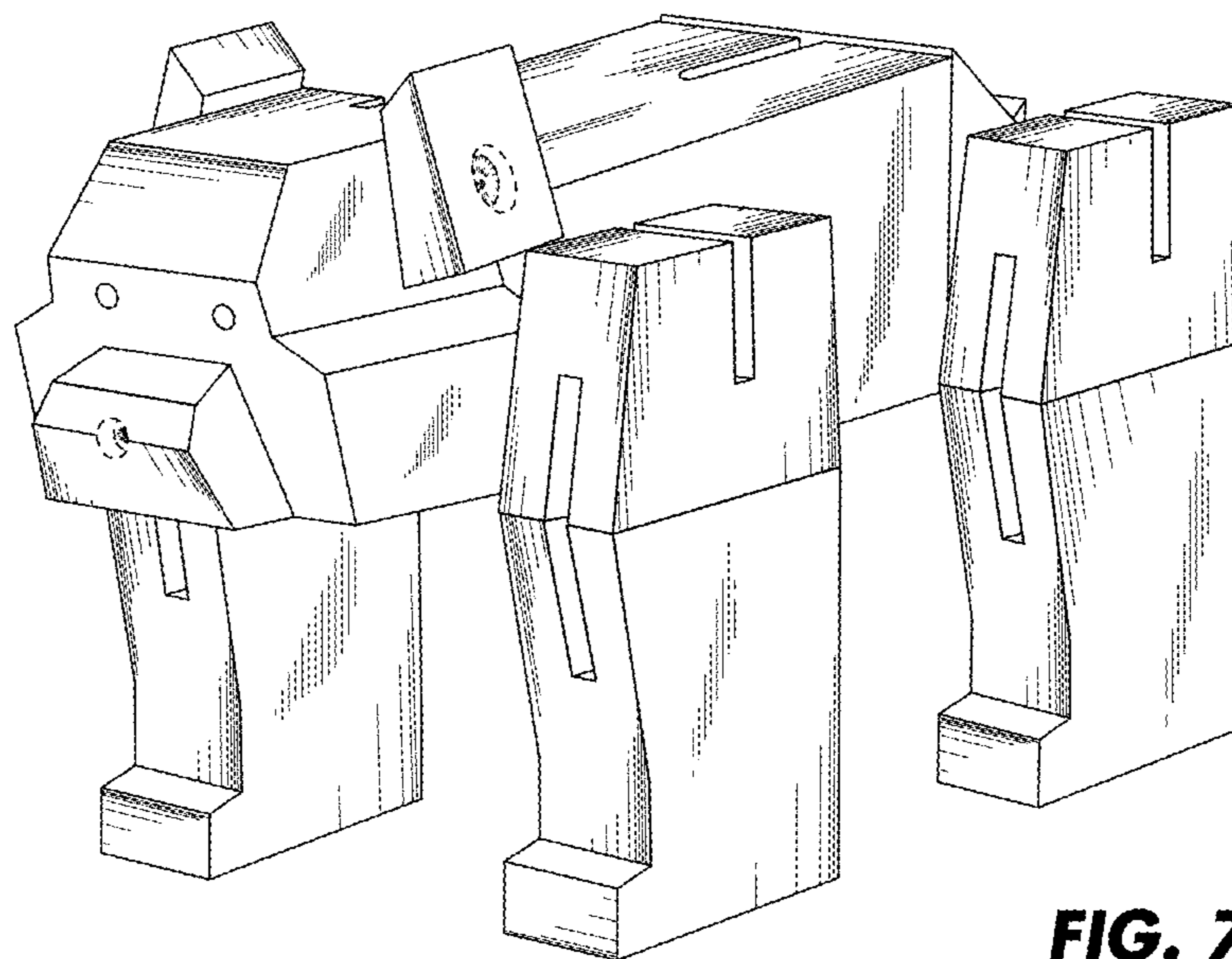


FIG. 7