



US00D837306S

(12) **United States Design Patent**
Patison

(10) **Patent No.:** **US D837,306 S**

(45) **Date of Patent:** **** Jan. 1, 2019**

(54) **BUILDING BLOCK WITH CAP**

(71) Applicant: **Jason Patison**, Corona, CA (US)

(72) Inventor: **Jason Patison**, Corona, CA (US)

(**) Term: **15 Years**

(21) Appl. No.: **29/610,686**

(22) Filed: **Jul. 14, 2017**

(51) **LOC (11) Cl.** **21-01**

(52) **U.S. Cl.**
USPC **D21/499**

(58) **Field of Classification Search**
USPC D21/333, 373, 386, 389, 404, 468, 470,
D21/471, 475, 484-505; D3/304, 314;
D24/101; D9/640
CPC A63H 33/04; A63H 33/06; A63H 33/062;
A63H 33/08; A63H 33/088; A63F 9/12;
A63F 9/1224
See application file for complete search history.

(56) **References Cited**

U.S. PATENT DOCUMENTS

879,455	A	2/1908	Frost	
3,005,282	A	10/1961	Christiansen	
3,225,460	A *	12/1965	Randell A63F 9/24 273/460
3,859,748	A	1/1975	Blue	
4,698,023	A *	10/1987	Marino G09B 1/36 434/259
D296,342	S *	6/1988	Knudsen D21/499
D301,260	S *	5/1989	McLaughlin D21/500
5,306,198	A *	4/1994	Forman A63F 9/0098 446/116
D368,929	S	4/1996	Frederiksen	
5,591,062	A	1/1997	Hettinger	
D389,408	S *	1/1998	Rask D21/491

(Continued)

Primary Examiner — Cynthia M. Chin

(74) *Attorney, Agent, or Firm* — Kirk A. Buhler; Buhler & Associates

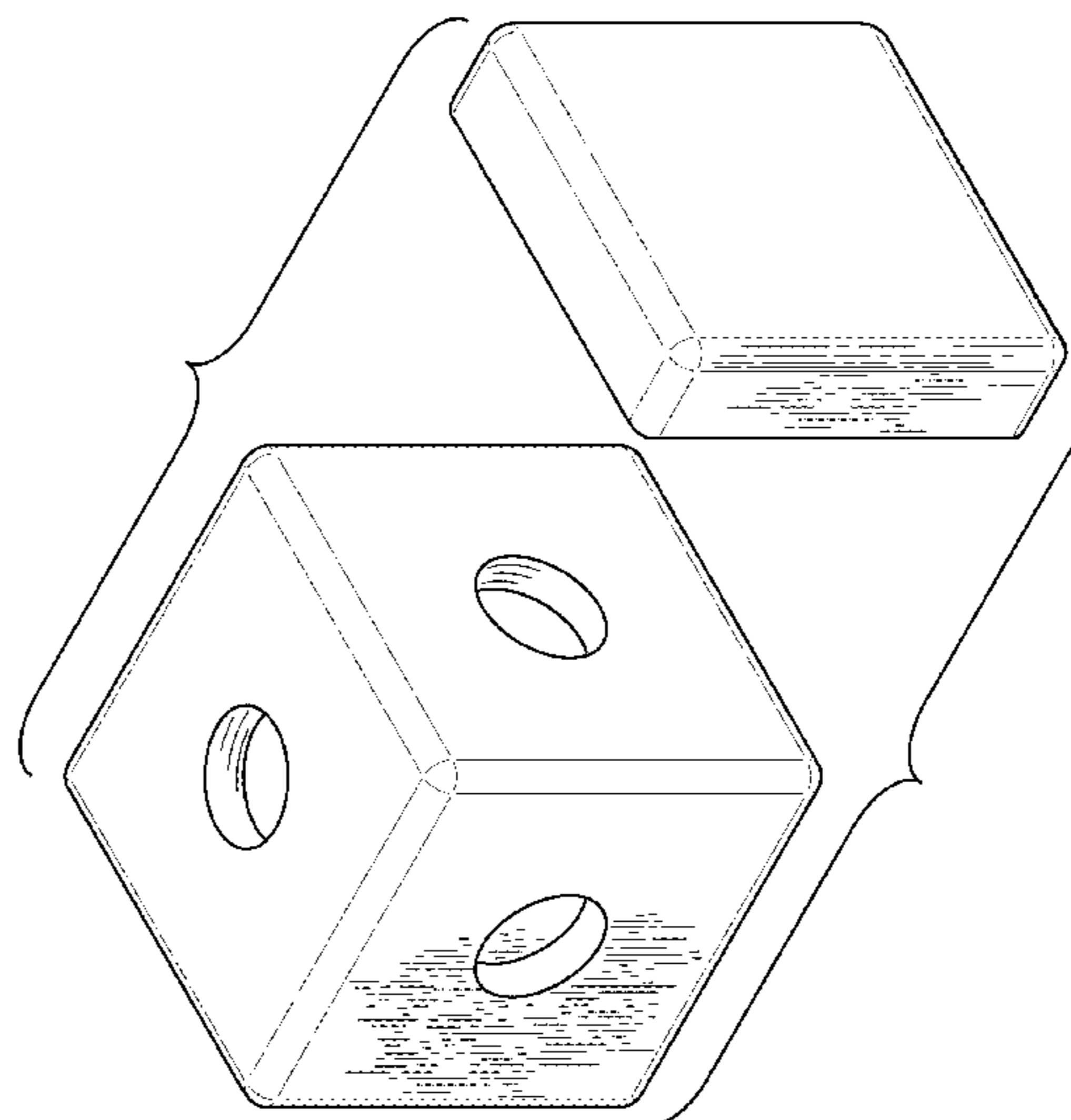
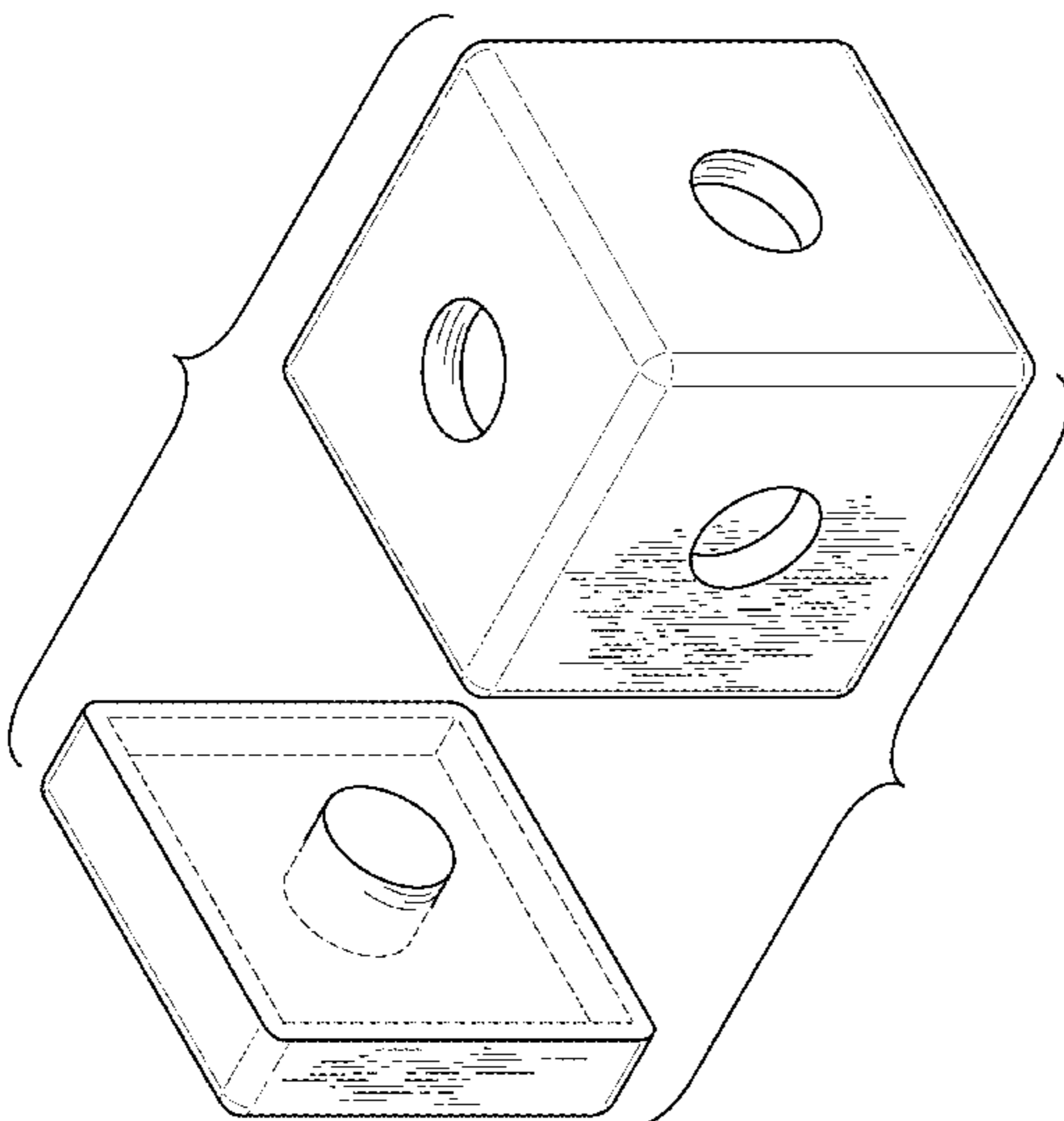
(57) **CLAIM**

The ornamental design for a building block with cap, as shown and described.

DESCRIPTION

FIG. 1 is a front perspective view of a building block with cap showing my new design;
 FIG. 2 is an exploded front elevation view, the rear elevation, right side elevation and left side elevation being the same image thereof;
 FIG. 3 is a bottom plan view thereof;
 FIG. 4 is a top plan view thereof;
 FIG. 5 is an exploded rear perspective view thereof;
 FIG. 6 shows a rear perspective view of just the cap, shown separately for the ease of illustration, in an exemplary environment of use;
 FIG. 7 shows a rear perspective view thereof, in another exemplary environment of use;
 FIG. 8 shows a rear perspective thereof, in another exemplary environment of use;
 FIG. 9 shows a rear perspective view thereof, in another exemplary environment of use;
 FIG. 10 shows a rear perspective view thereof, in another exemplary environment of use;
 FIG. 11 shows a rear perspective view thereof, in another exemplary environment of use;
 FIG. 12 shows a rear perspective view thereof, in another exemplary environment of use;
 FIG. 13 shows a rear perspective view thereof, in another exemplary environment of use; and,
 FIG. 14 shows a rear perspective view thereof, in another exemplary environment of use.
 The broken lines shown in FIG. 1 are included for the purposes of illustrating portions of the article which form no part of the claimed design. The broken lines in FIGS. 6-14 represent exemplary environment(s) in which the article resides and forms no part of the claimed design.

1 Claim, 6 Drawing Sheets



(56)

References Cited

U.S. PATENT DOCUMENTS

D422,036 S * 3/2000 Laserna Fernandez D21/499
6,322,414 B1 * 11/2001 Lin A63H 33/10
446/122
6,371,823 B1 * 4/2002 Stavran B65D 81/361
446/128
D473,397 S * 4/2003 Ong D6/407
D480,437 S * 10/2003 Stoneberg D21/499
D483,200 S * 12/2003 Udommahuntisuk D6/407
7,361,075 B1 4/2008 Krull
8,382,548 B2 * 2/2013 Maggiore A63H 33/062
446/120
D678,045 S * 3/2013 Paolini D8/382
D717,379 S 11/2014 Deutsch et al.
D722,658 S * 2/2015 Marschall D21/499
D754,263 S * 4/2016 Wolff D21/499
D769,986 S * 10/2016 Timg D21/500
D791,885 S 7/2017 Rosan
D818,054 S * 5/2018 McLachlan D21/468
D827,725 S * 9/2018 McLachlan D21/468
D827,726 S * 9/2018 McLachlan D21/468
D827,727 S * 9/2018 McLachlan D21/468
2016/0232804 A1 8/2016 Nichols et al.

* cited by examiner

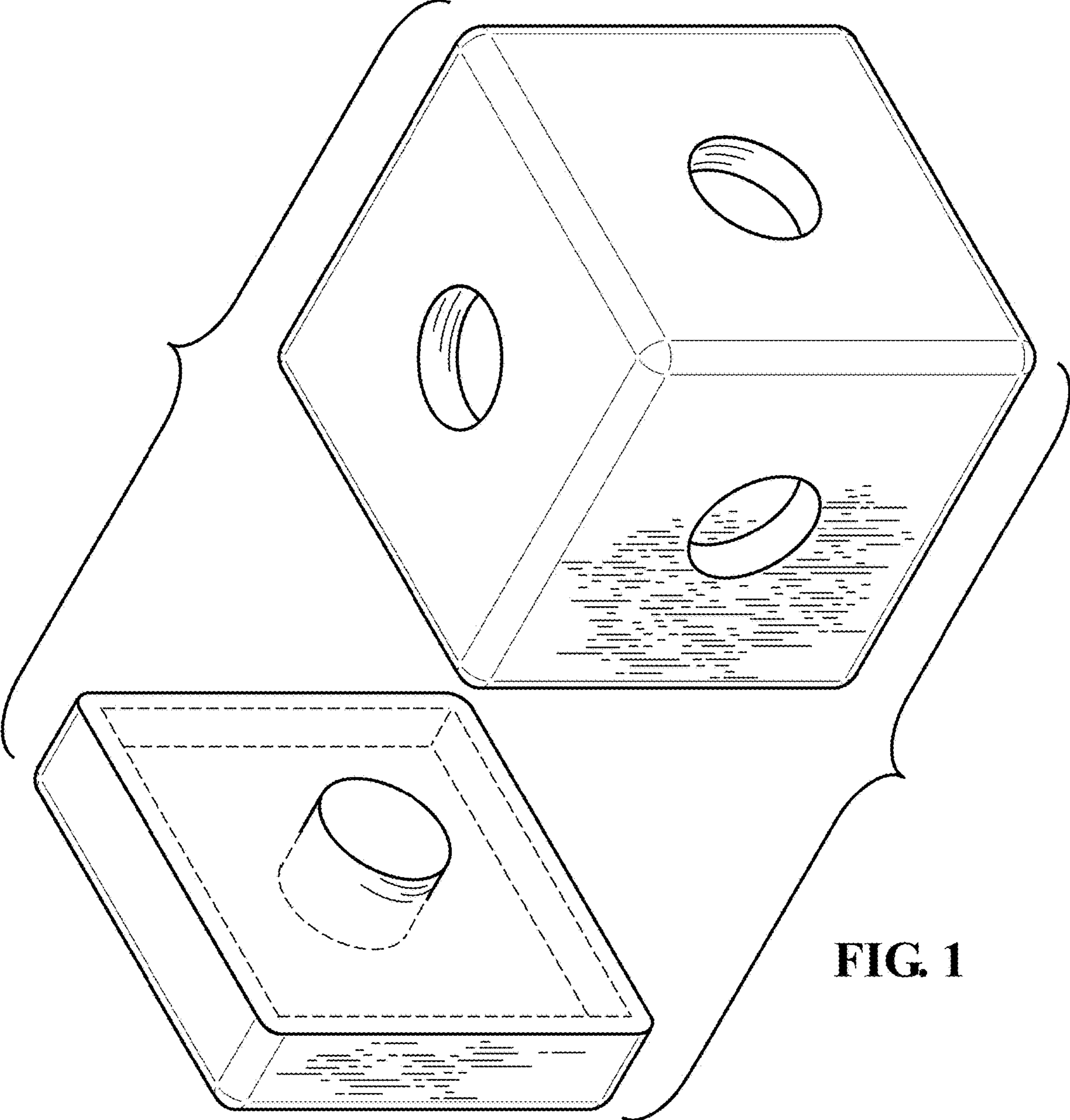


FIG. 1

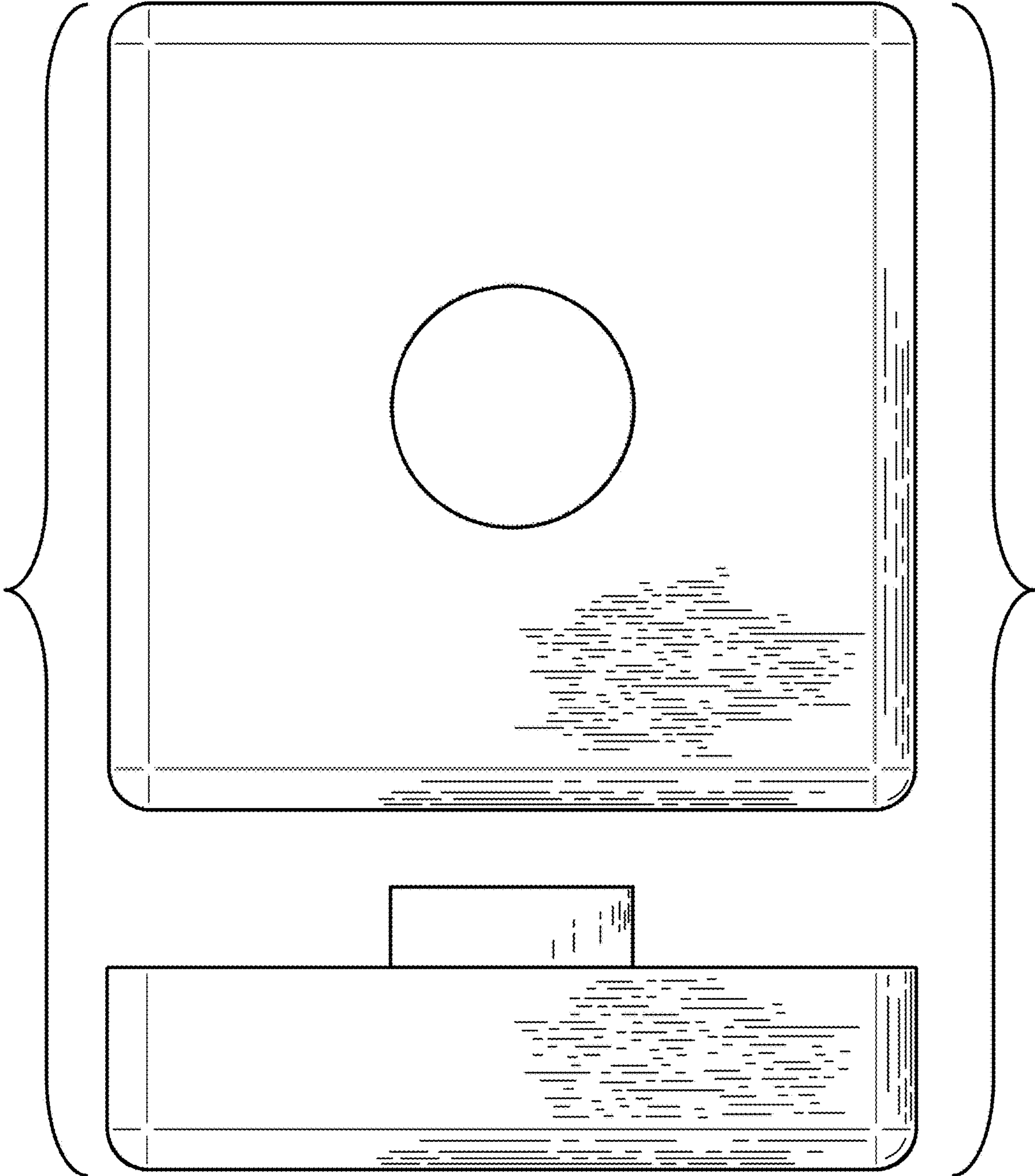


FIG. 2

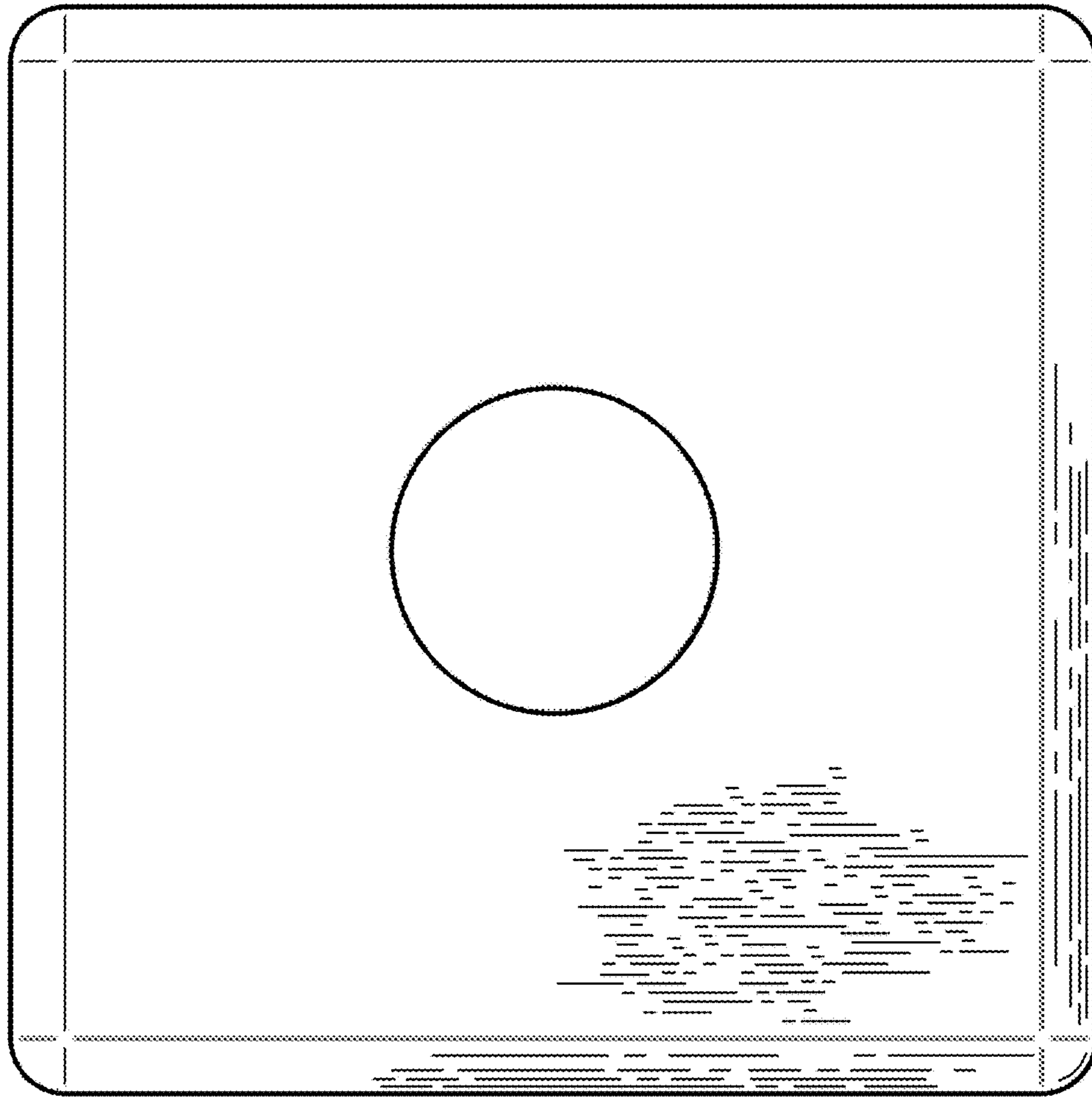


FIG. 3

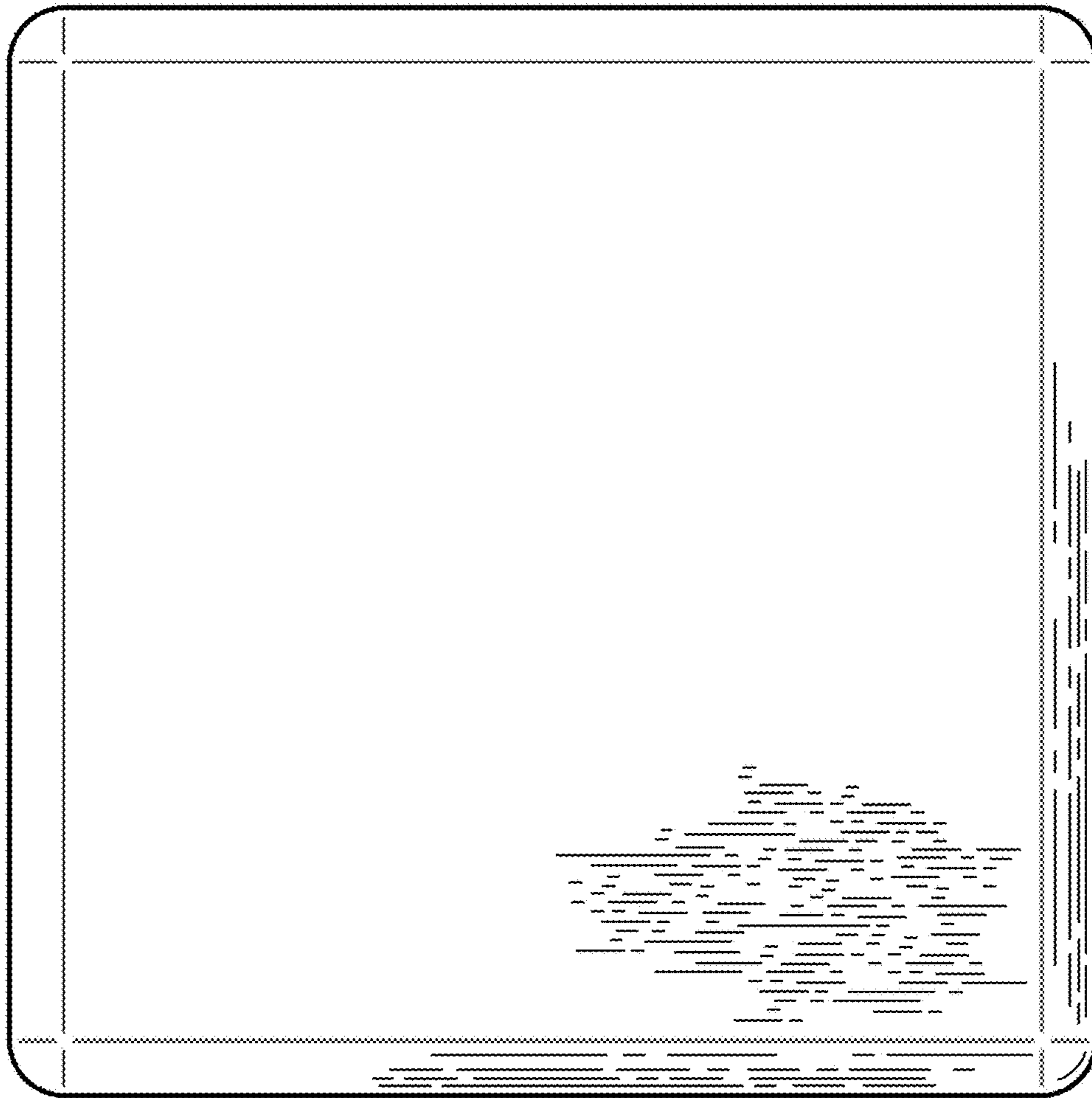


FIG. 4

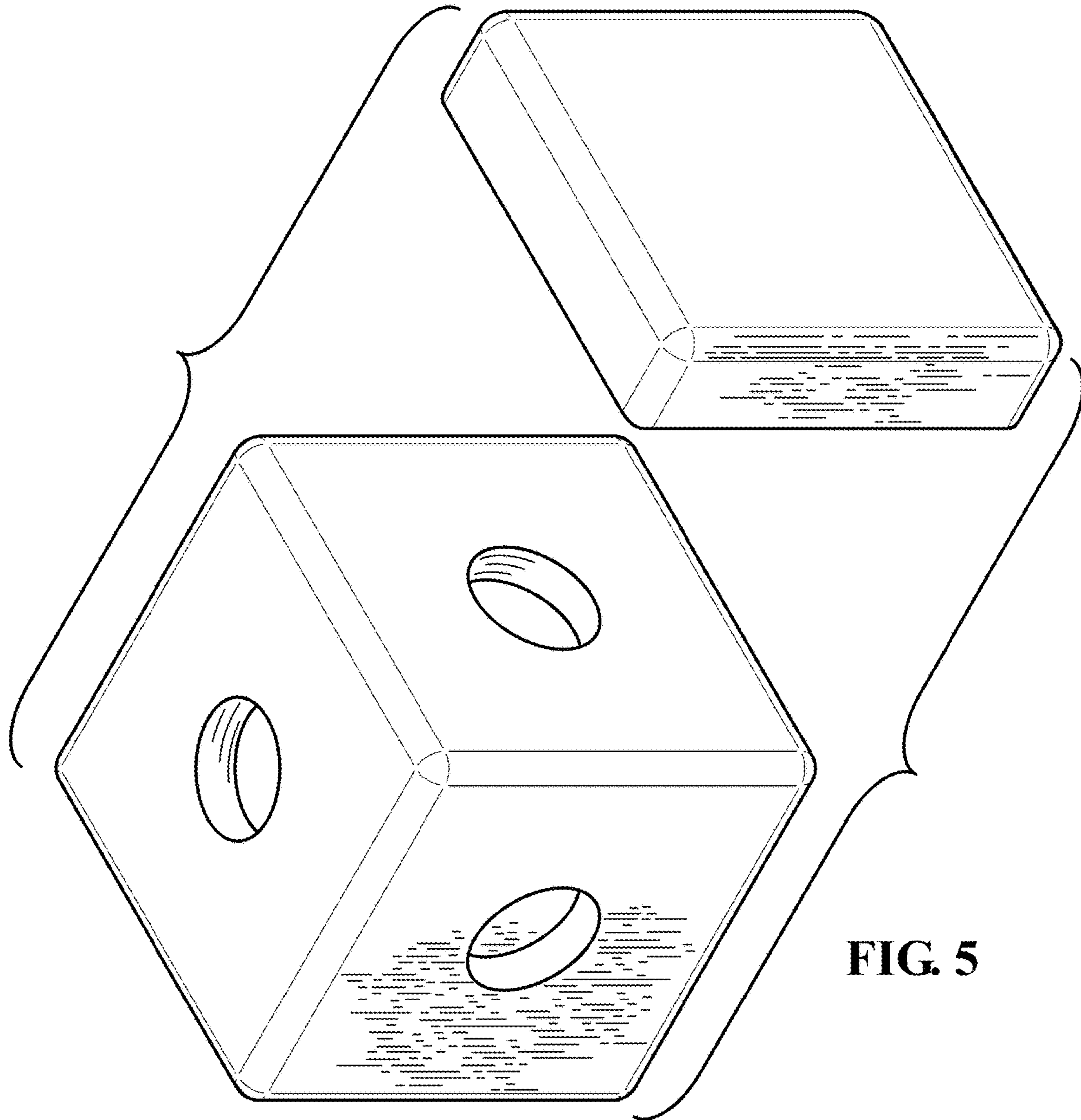


FIG. 5

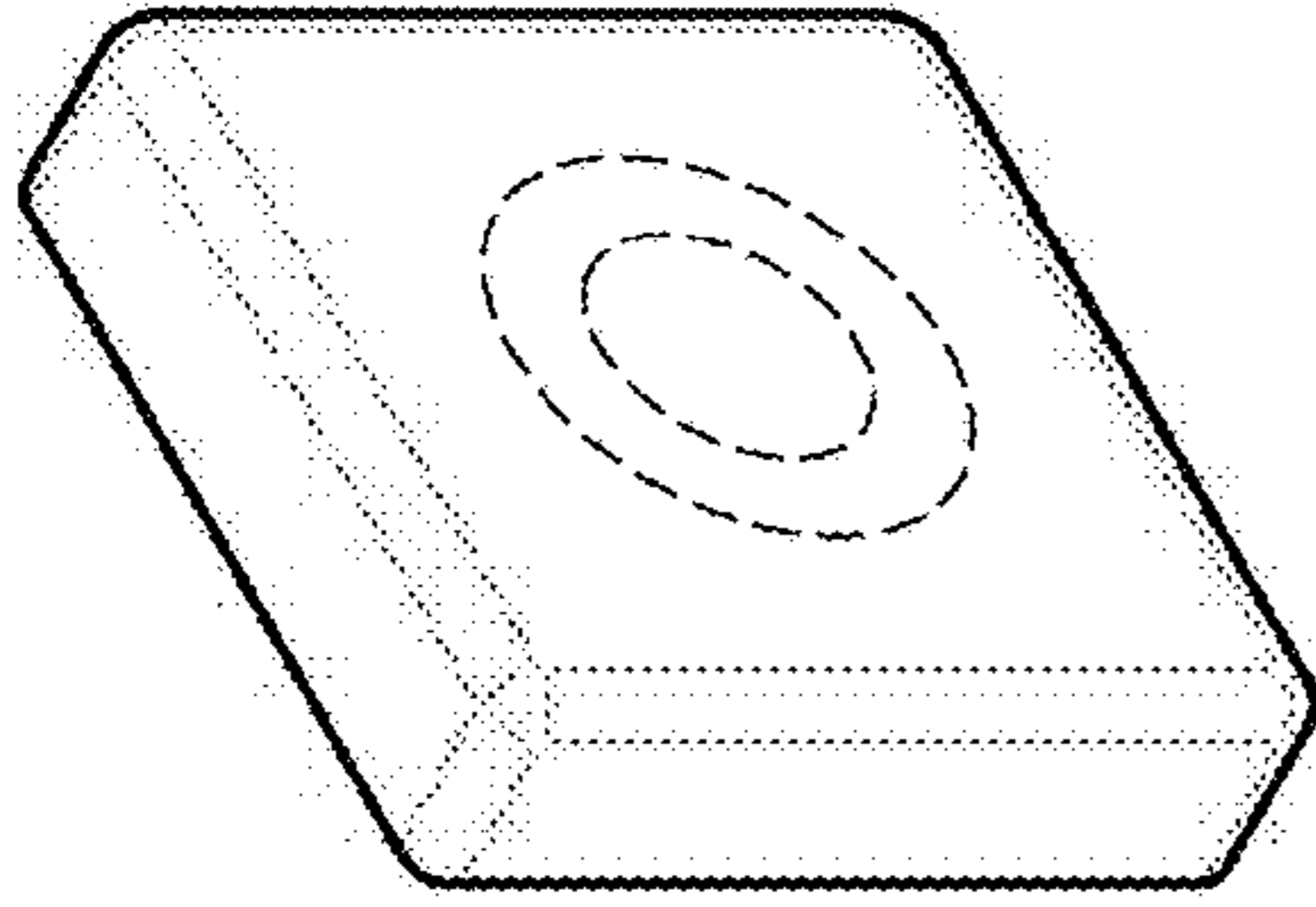


FIG. 6

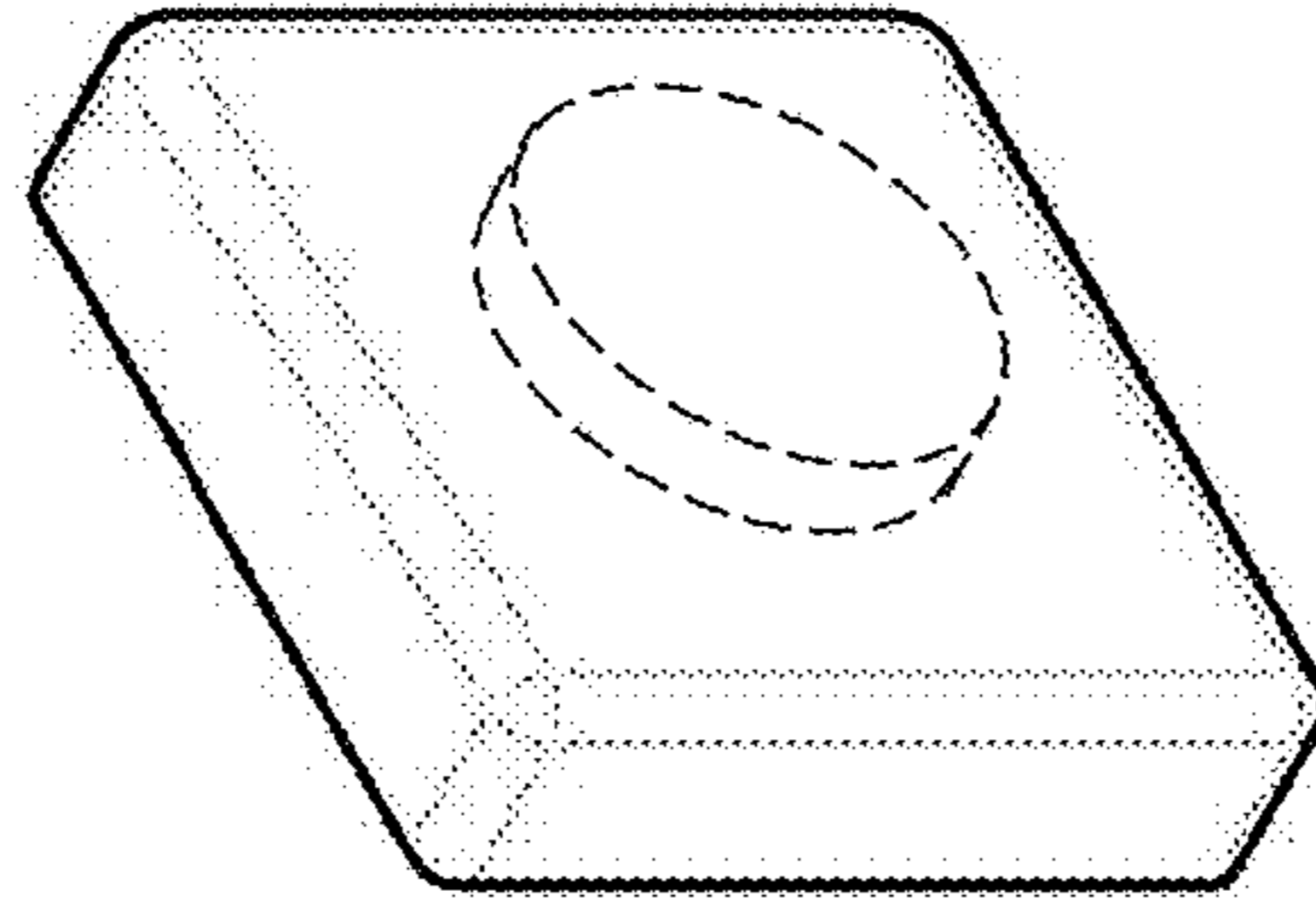


FIG. 7

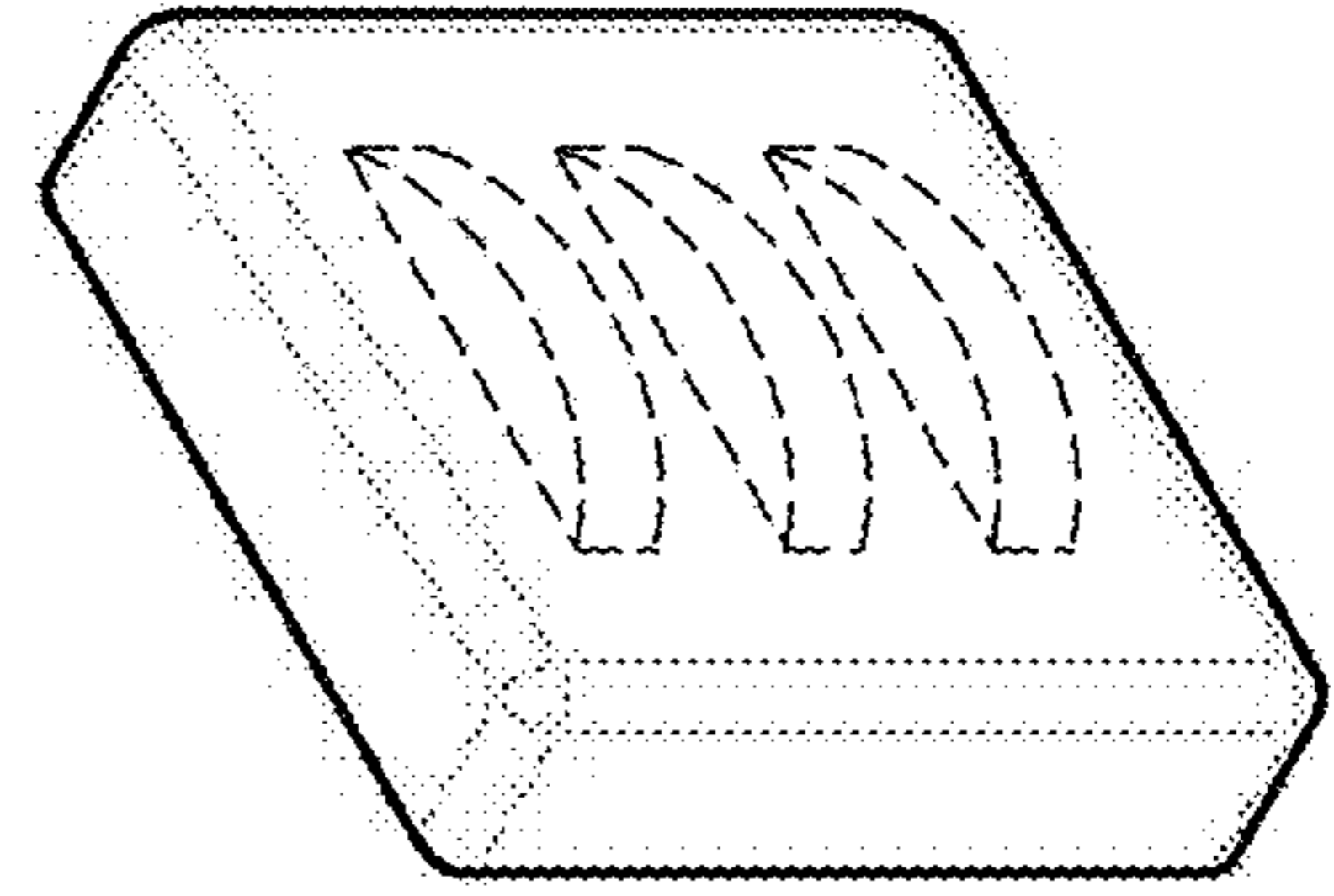


FIG. 8

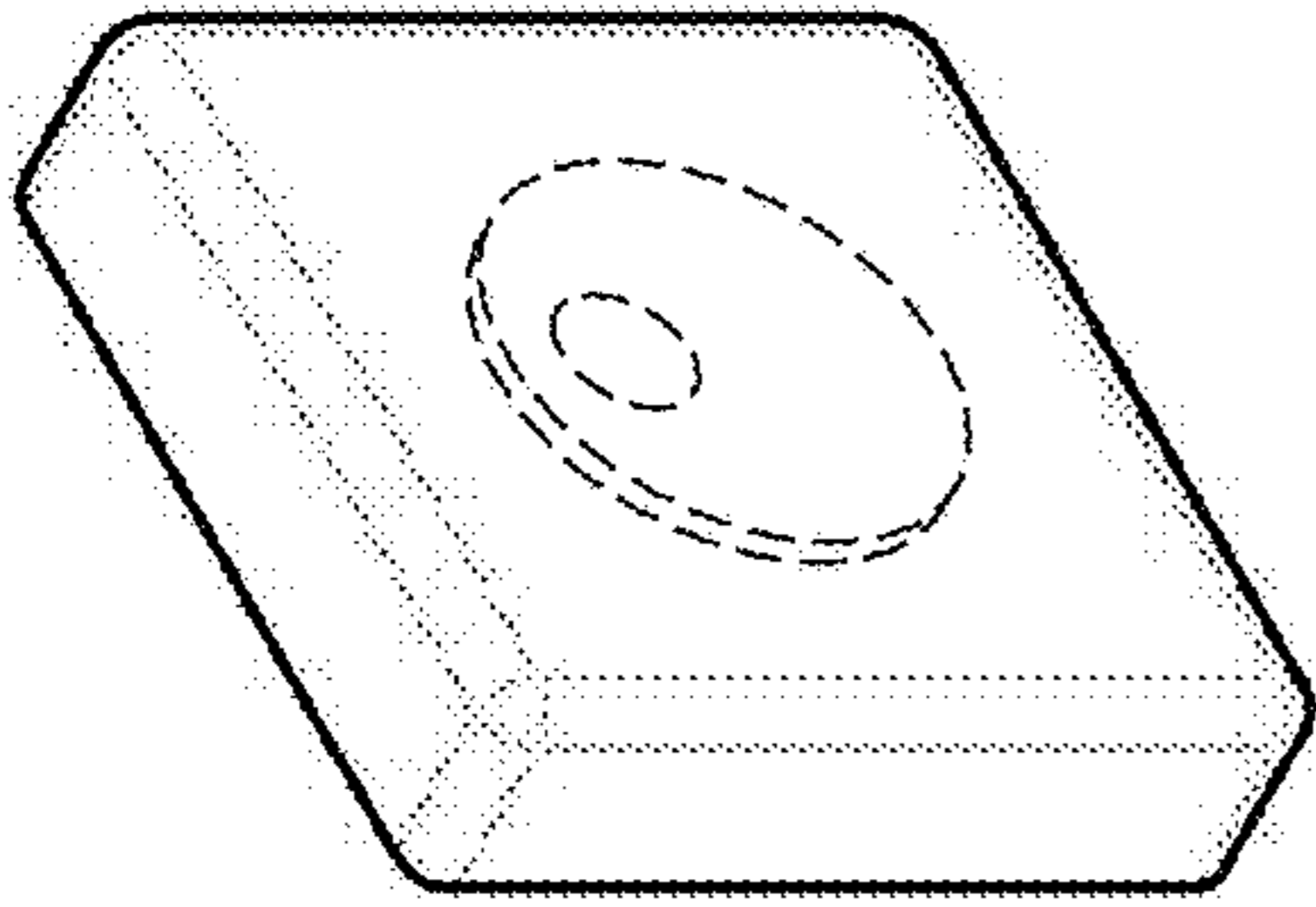


FIG. 9

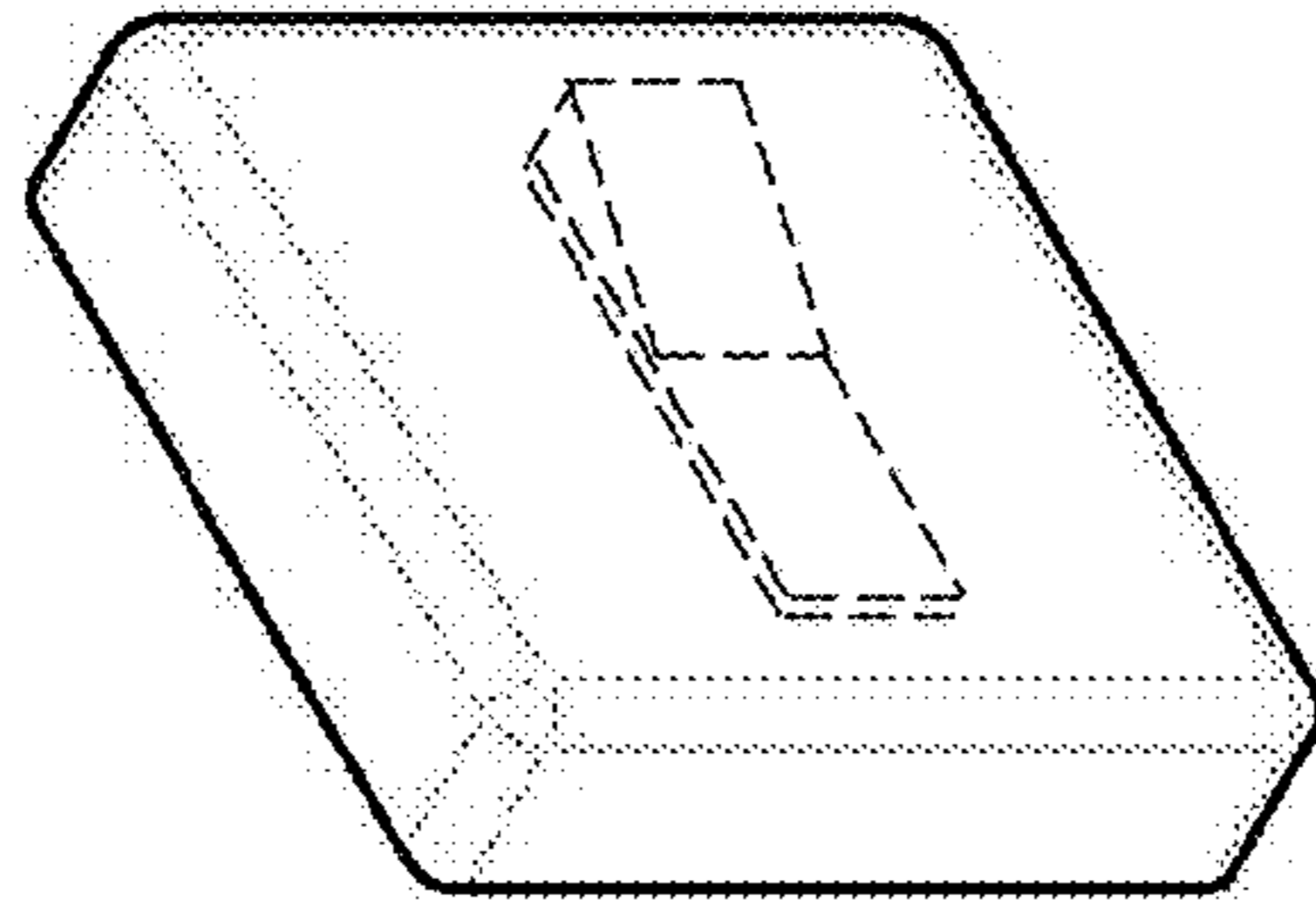


FIG. 10

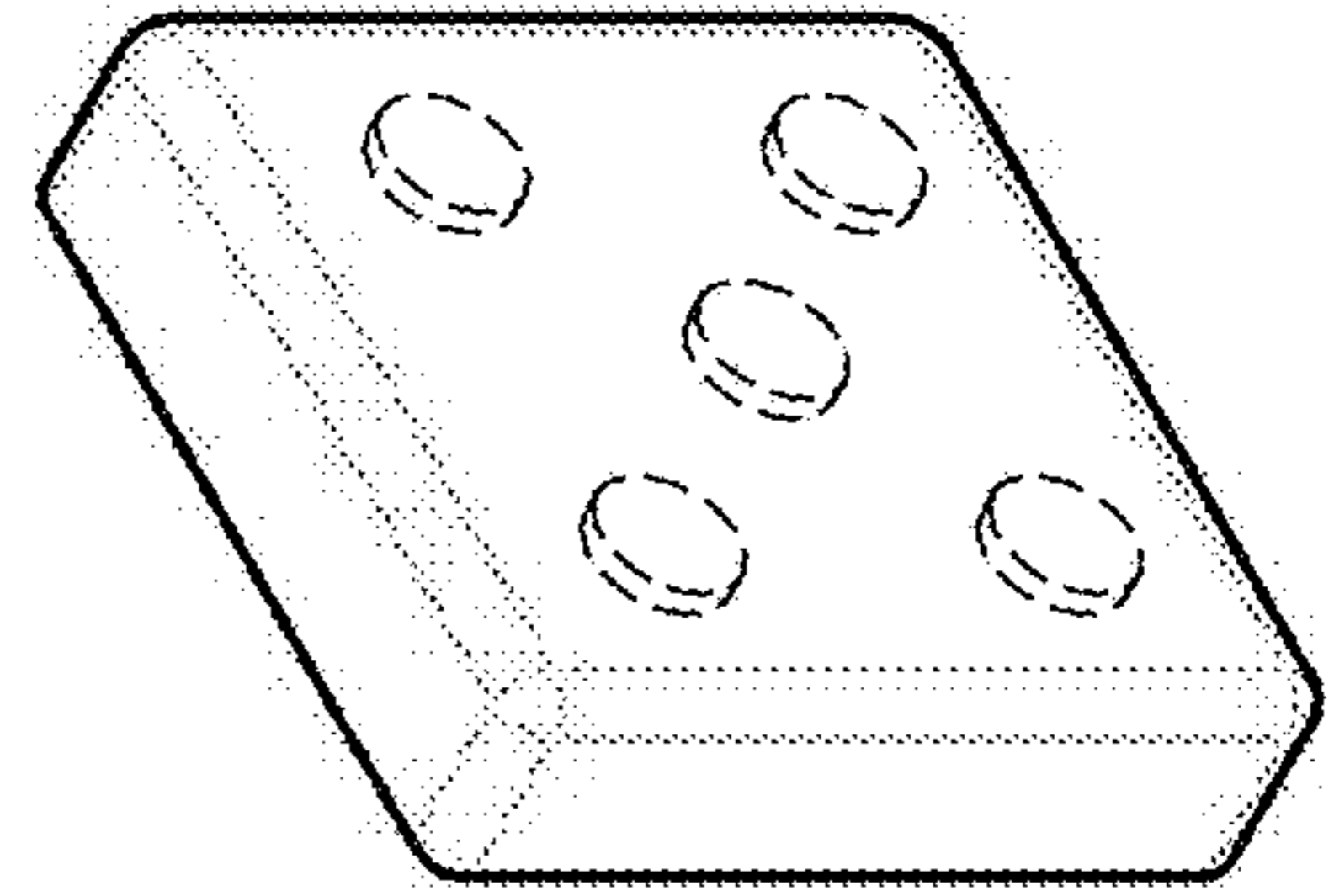


FIG. 11

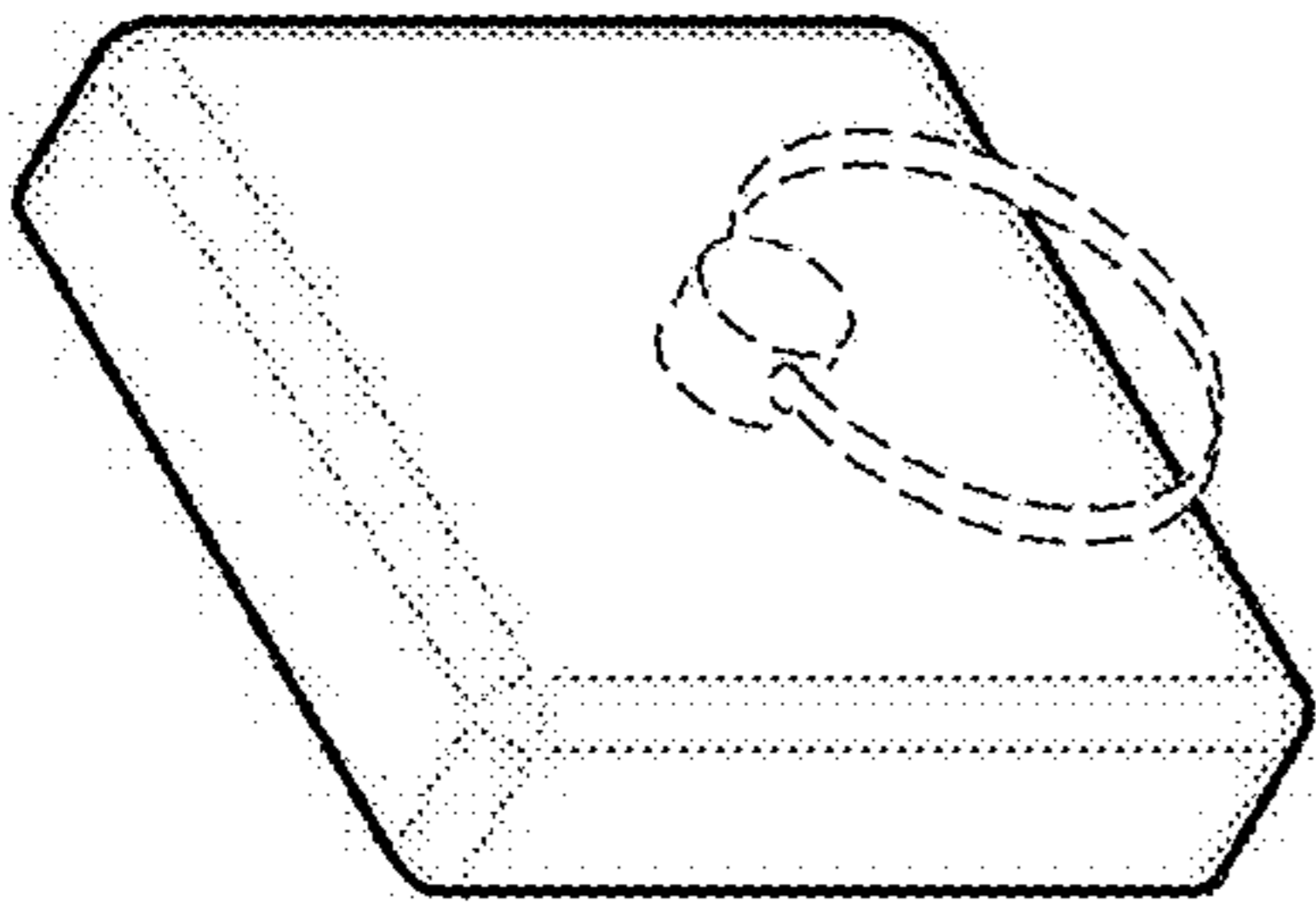


FIG. 12

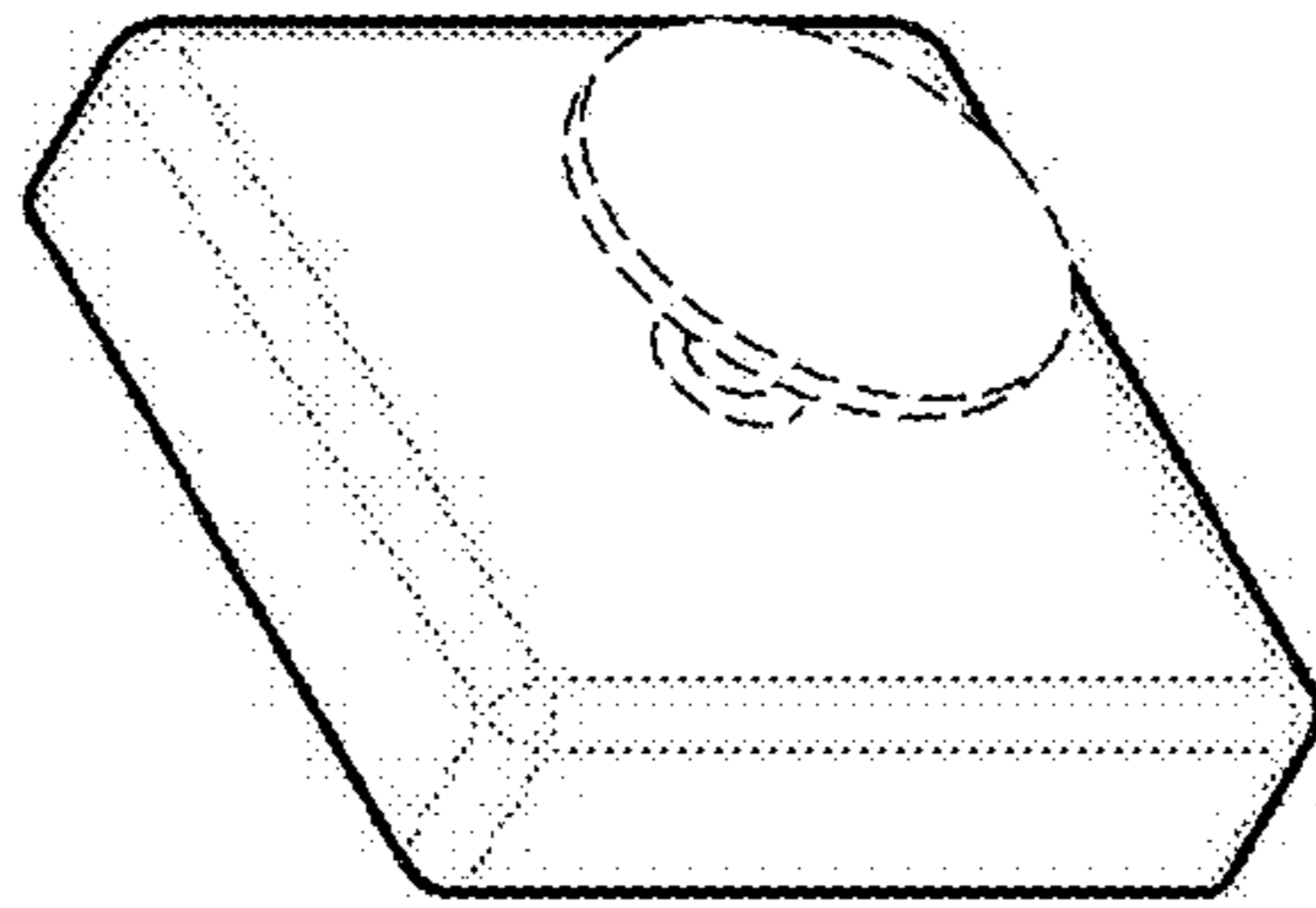


FIG. 13

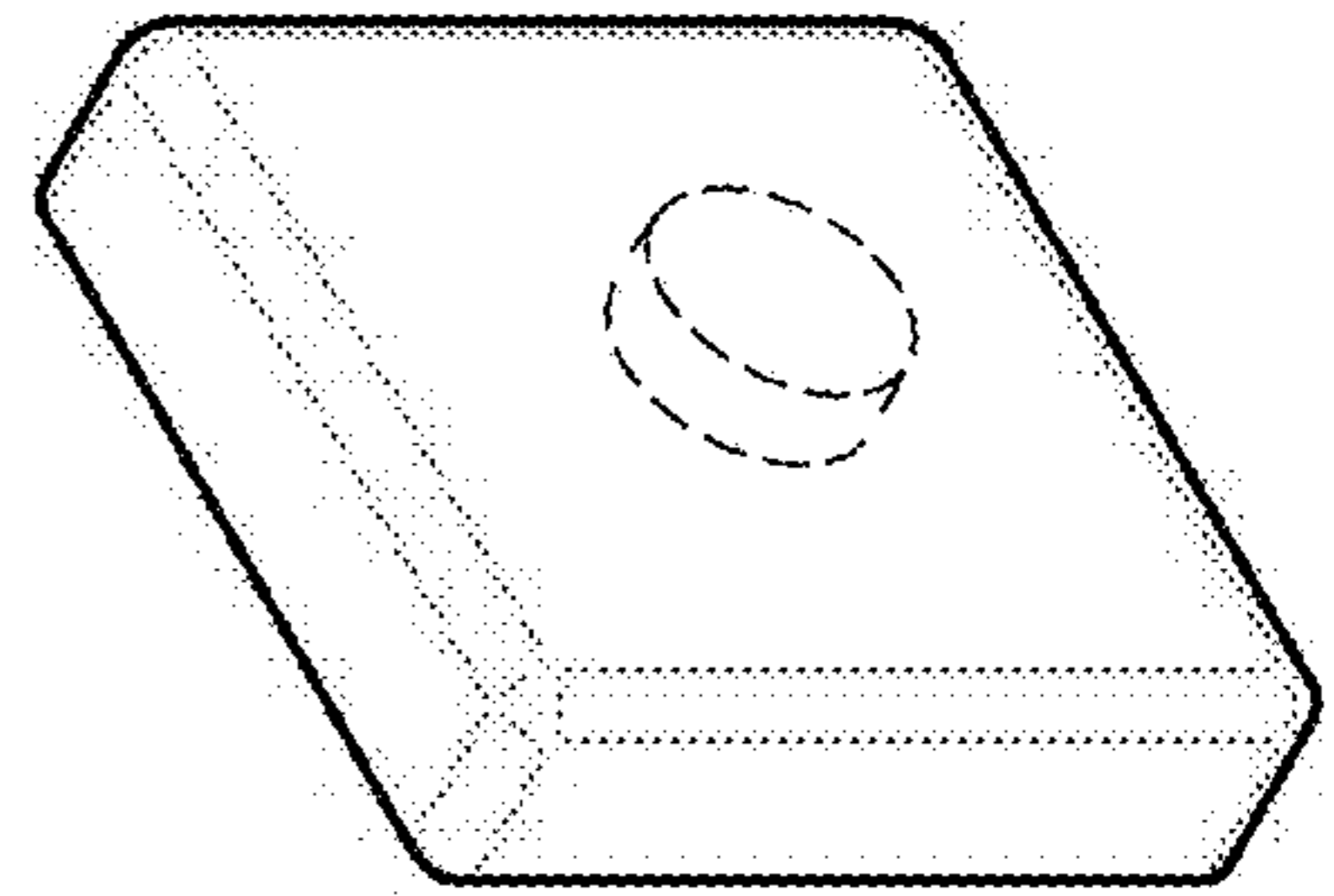


FIG. 14