



US00D837305S

(12) **United States Design Patent**
Shindo

(10) **Patent No.:** **US D837,305 S**

(45) **Date of Patent:** **** Jan. 1, 2019**

(54) **ACCESSORY FOR SPINNING TOP TOY**

33/26; A63F 5/00-5/048; A63F 9/16;
A63F 2009/165; A63F 2011/0016; A63F
2011/0018

(71) Applicant: **TOMY COMPANY, LTD.**, Tokyo (JP)

See application file for complete search history.

(72) Inventor: **Yukihiko Shindo**, Tokyo (JP)

(73) Assignee: **TOMY COMPANY, LTD.**, Tokyo (JP)

(56) **References Cited**

(**) Term: **15 Years**

U.S. PATENT DOCUMENTS

(21) Appl. No.: **29/620,275**

D32,916 S * 7/1900 Lindemeyer D9/453
945,484 A * 1/1910 Anderson A63H 1/02
124/37
D58,079 S * 6/1921 Glen 446/256
1,520,697 A * 12/1924 Carlson A63F 5/02
273/142 F
D69,941 S * 4/1926 Gibbs 446/256

(22) Filed: **Sep. 14, 2016**

(30) **Foreign Application Priority Data**

Jul. 15, 2016 (JP) 2016-015146

FOREIGN PATENT DOCUMENTS

(51) **LOC (11) Cl.** **21-01**

DE 855212 C * 11/1952 A63F 5/04
EP 0659456 A2 * 6/1995 A63H 1/02
(Continued)

(52) **U.S. Cl.**

USPC **D21/460**; D21/461

(58) **Field of Classification Search**

USPC D21/333, 373-375, 385, 386, 395,
D21/455-464, 468, 475-477, 480, 484,
D21/487, 488, 492, 493, 495, 496, 502,
D21/503, 512-532, 561, 563; D7/393,
D7/396, 398; D9/435, 436, 439, 440,
D9/442, 453, 505, 544-546; D10/122,
D10/128; D13/151, 154, 156, 158-178;
D14/388, 412-416, 432, 454, 511, 197,
D14/198, 217, 257, 258, 265; D8/300,
D8/310, 312, 387, 397, DIG. 2, DIG. 3;
D23/245-250, 260, 261; 446/233-236

CPC . A63H 1/00-1/32; A63H 31/00-31/10; A63H
17/002; A63H 17/262; A63H
29/00-29/24; A63H 33/002; A63H
33/005; A63H 33/007; A63H 33/02;
A63H 33/042; A63H 33/046; A63H
33/08; A63H 33/086; A63H 33/088;
A63H 33/106; A63H 33/107; A63H
33/108; A63H 33/12; A63H 33/22; A63H

Primary Examiner — Catherine A Tuttle

(74) *Attorney, Agent, or Firm* — Staas & Halsey LLP

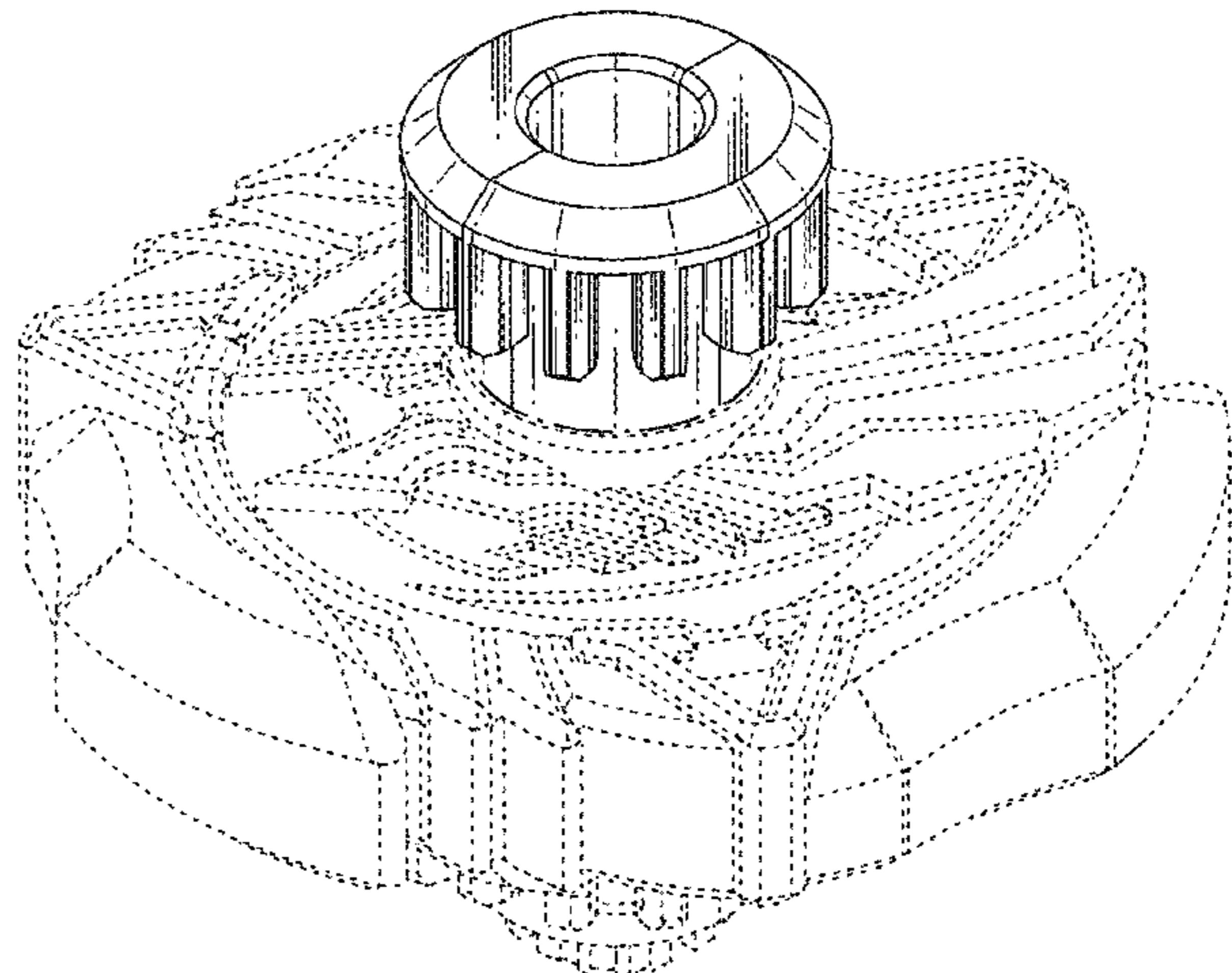
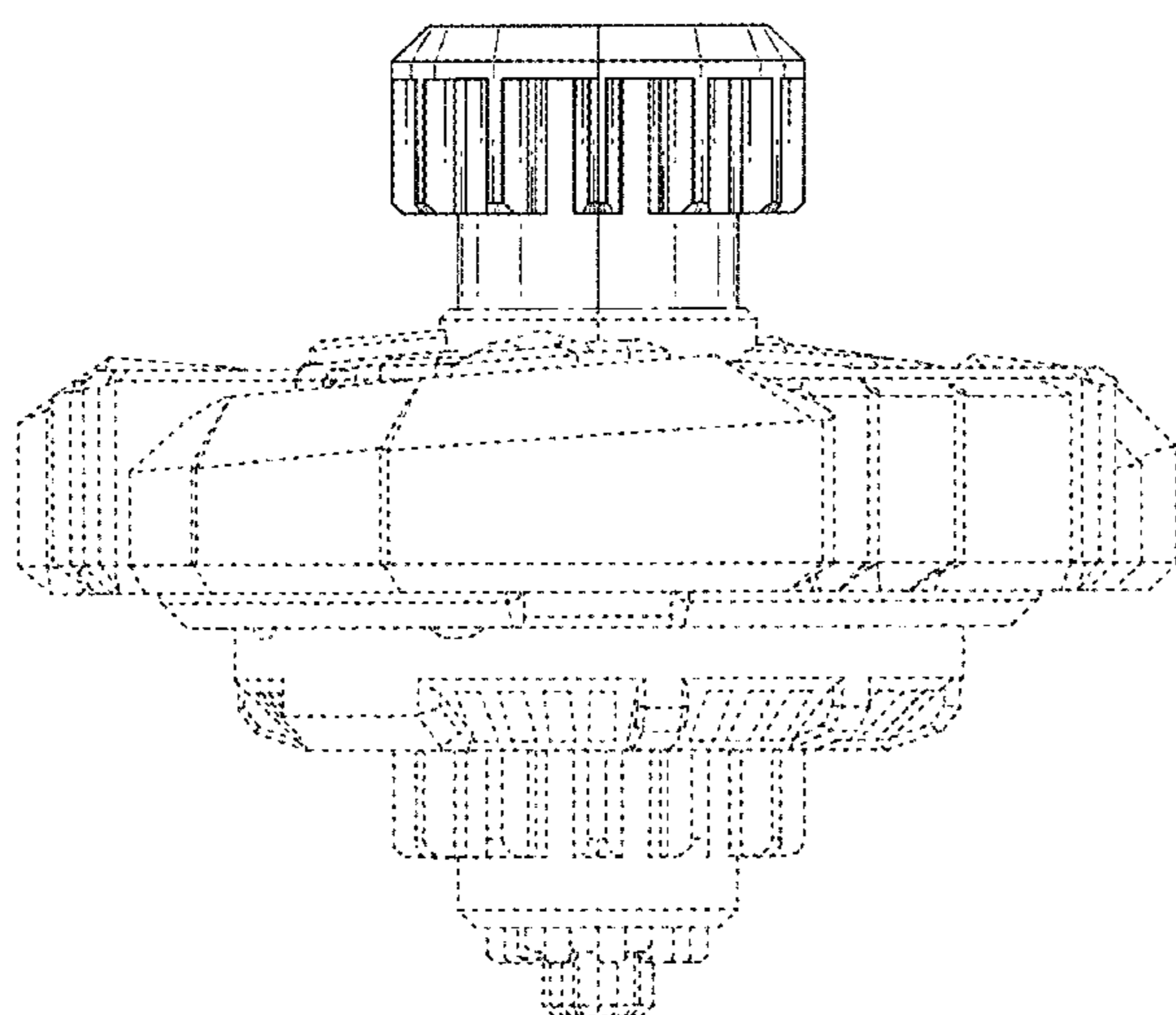
(57) **CLAIM**

The ornamental design for an accessory for spinning top toy,
as shown and described.

DESCRIPTION

FIG. 1 is a front view of the accessory for spinning top toy
showing my design;
FIG. 2 is a left side view thereof;
FIG. 3 is a rear view thereof;
FIG. 4 is a right side view thereof;
FIG. 5 is a top view thereof;
FIG. 6 is a bottom view thereof; and,
FIG. 7 is a perspective view thereof.
The broken lines shown in the drawings depict portions of
a toy top that form no part of the claimed design.

1 Claim, 7 Drawing Sheets



(56)

References Cited

U.S. PATENT DOCUMENTS

1,603,034 A * 10/1926 Esper A63H 1/06
 446/260
 2,145,608 A * 1/1939 Oehler A63F 3/00031
 273/147
 D155,298 S * 9/1949 La Falce 273/147
 D244,356 S * 5/1977 Pardo D9/453
 D278,356 S * 4/1985 Goldfarb D21/563
 4,673,369 A * 6/1987 DiPietro A63F 9/34
 335/306
 D301,258 S * 5/1989 Olney D21/460
 D349,736 S * 8/1994 Hatting D21/561
 D353,632 S * 12/1994 Nonaka D21/460
 5,518,437 A * 5/1996 Nonaka A63H 1/02
 446/259
 D397,091 S * 8/1998 Wirth D13/158
 D600,108 S * 9/2009 Swan D8/397
 D647,144 S * 10/2011 Robins D21/460
 8,132,813 B2 * 3/2012 Wilkinson G09F 23/14
 273/141 A
 D719,619 S * 12/2014 Sawyer D21/373
 D755,352 S * 5/2016 Mitsuoka D23/249

FOREIGN PATENT DOCUMENTS

FR 2460693 A1 * 1/1981 A63F 5/02
 GB 572462 A * 10/1945 A63F 3/00082
 GB 588285 A * 5/1947 A63F 5/04
 JP 6145206 B1 * 6/2017 A63H 1/02

* cited by examiner

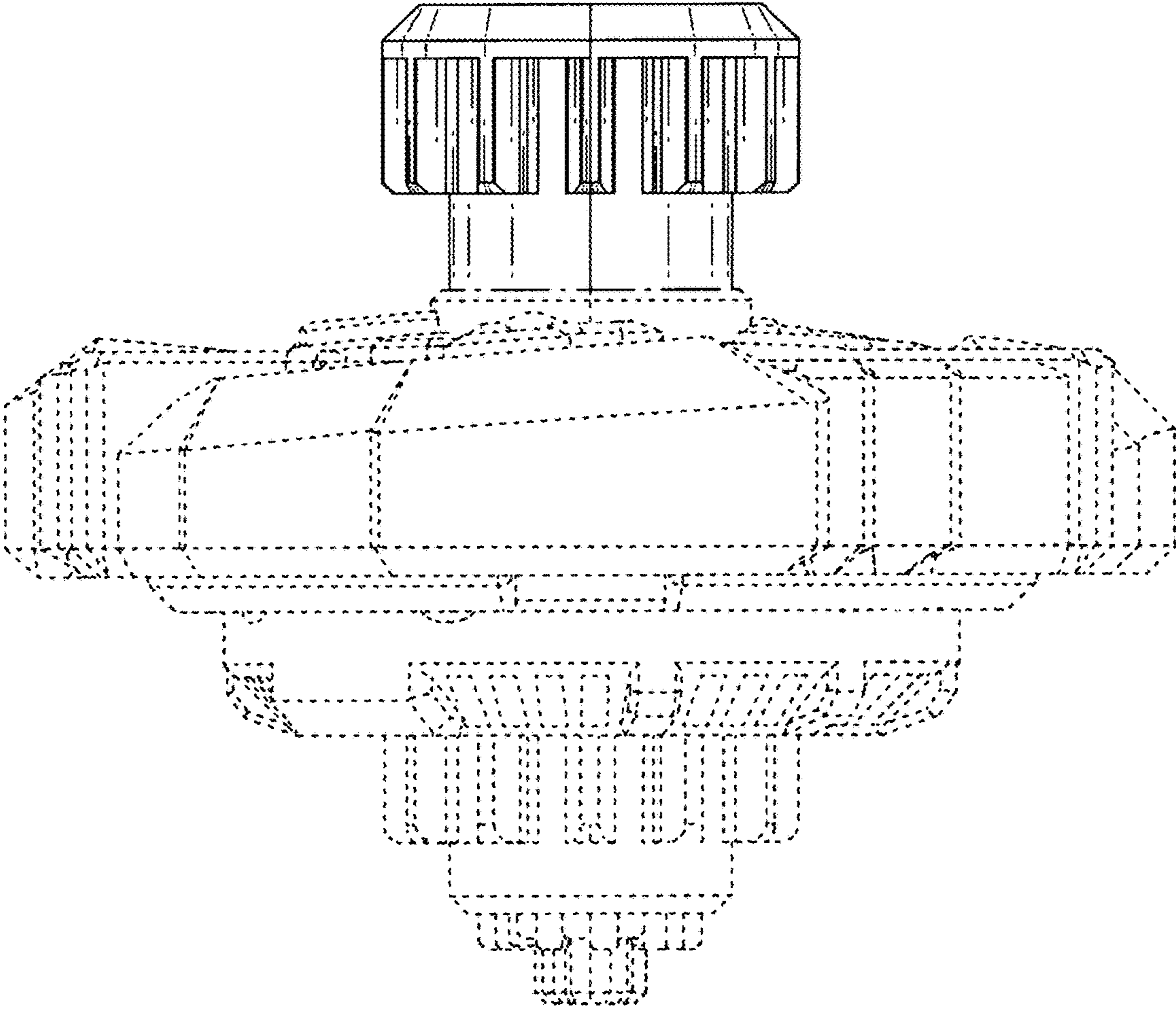


FIG. 1

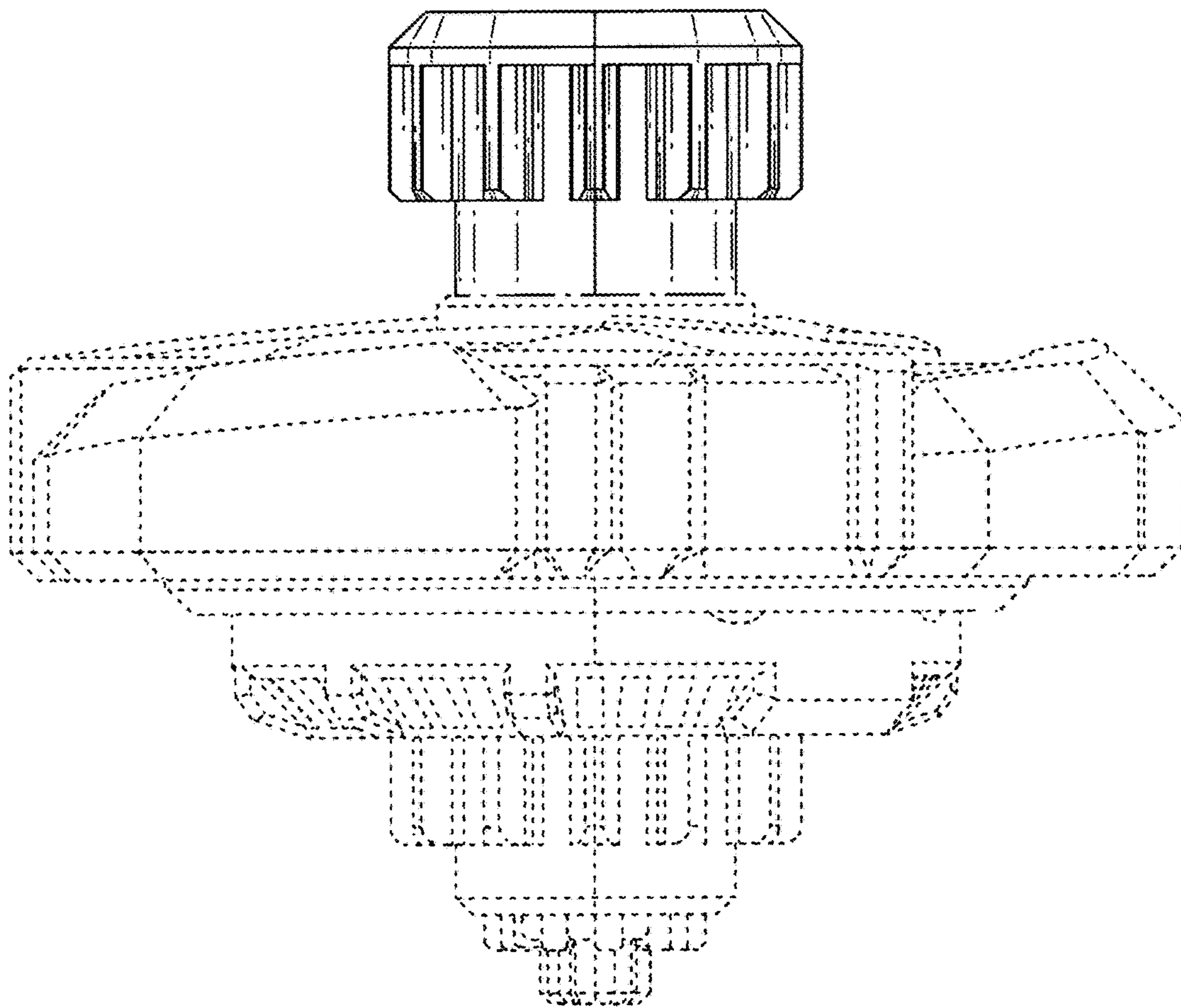


FIG. 2

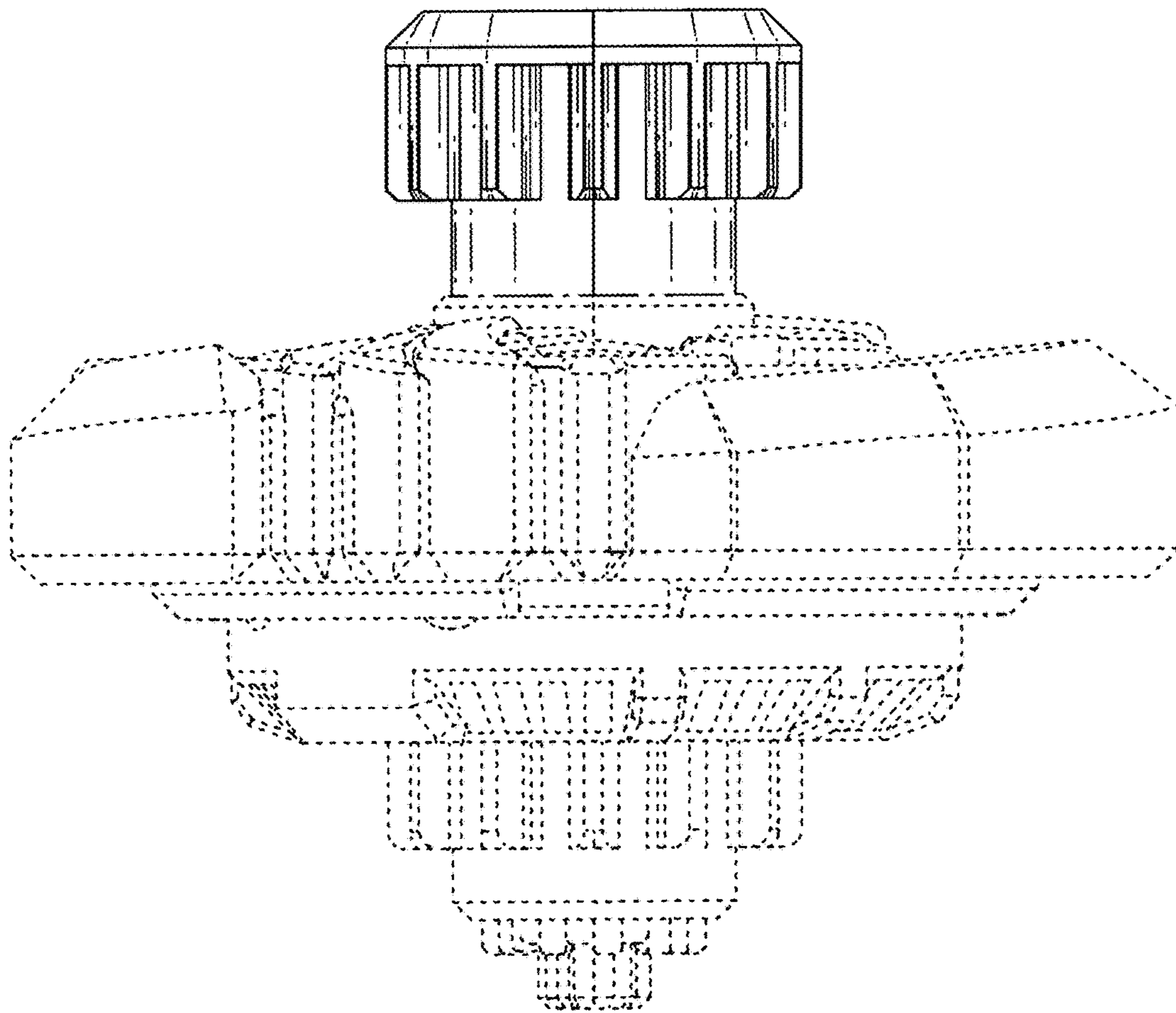


FIG. 3

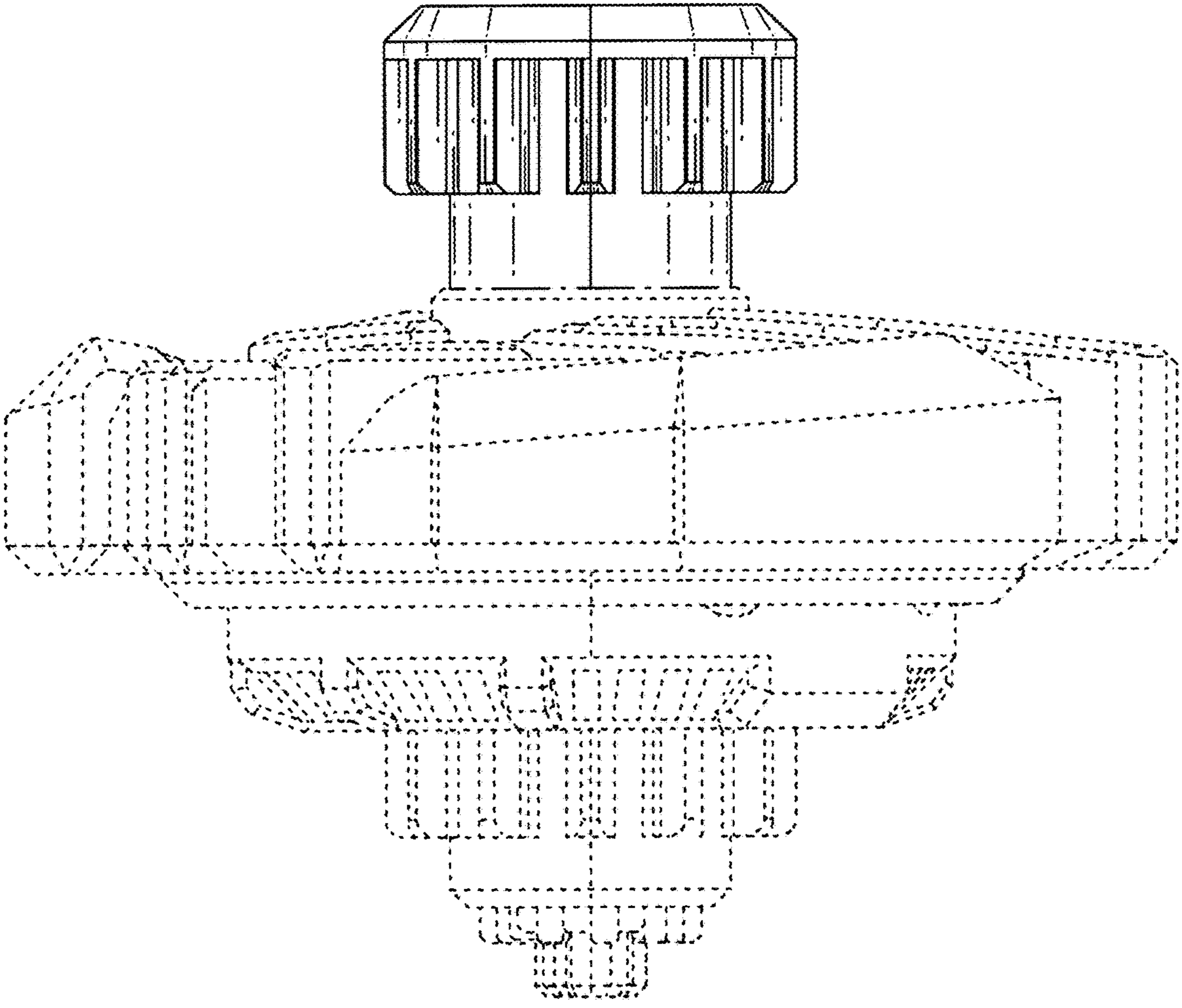


FIG. 4

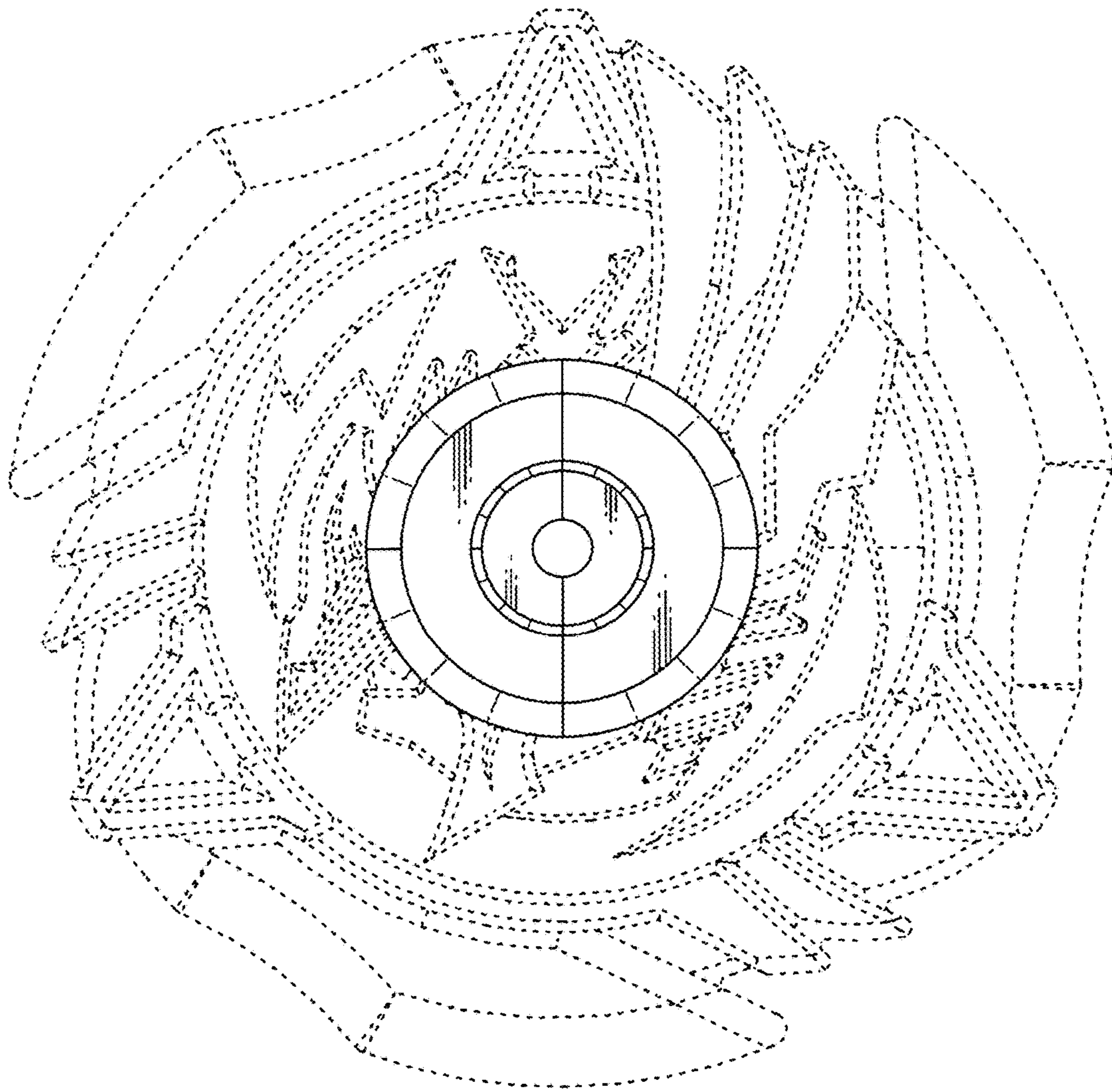


FIG. 5

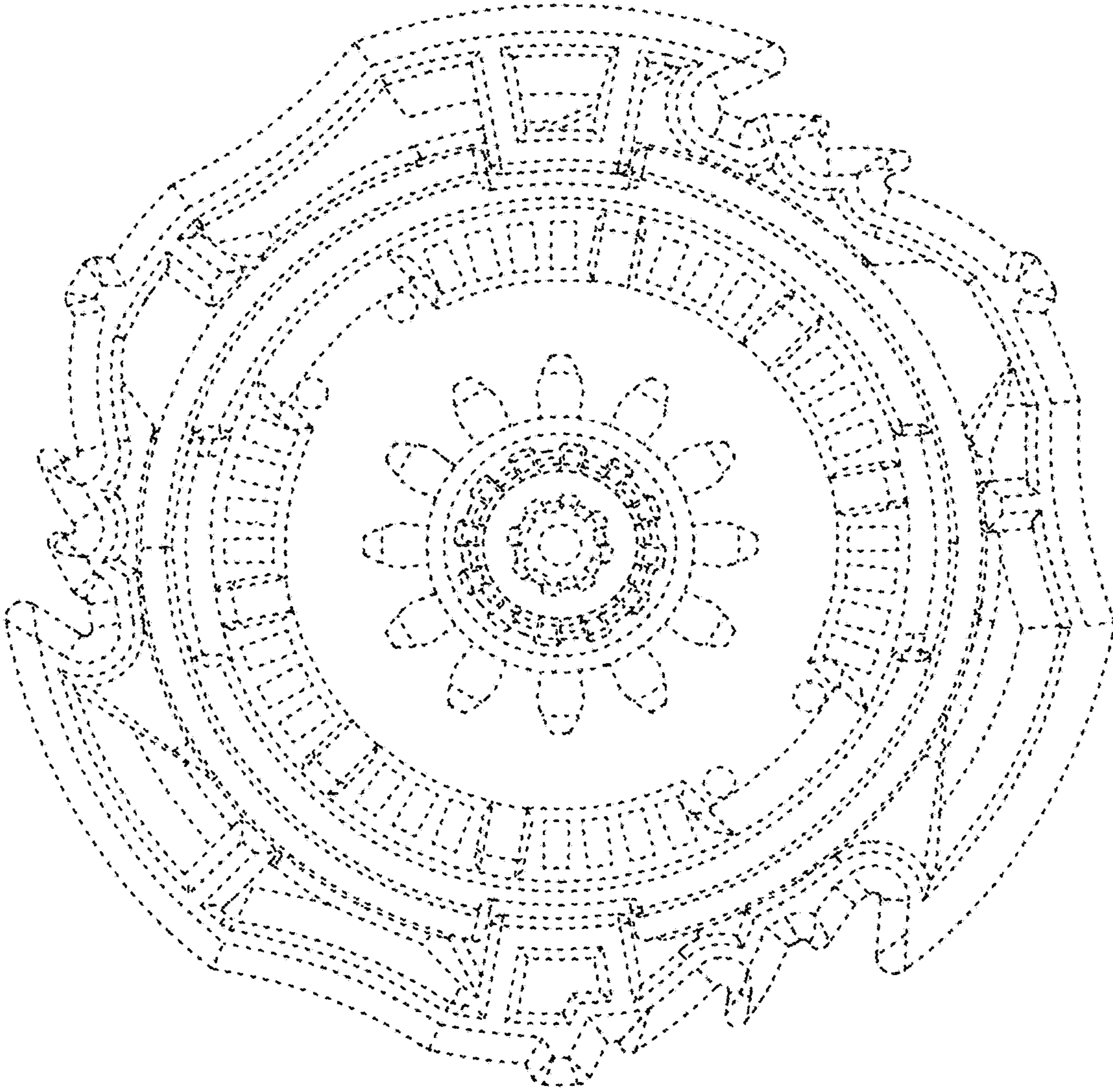


FIG. 6

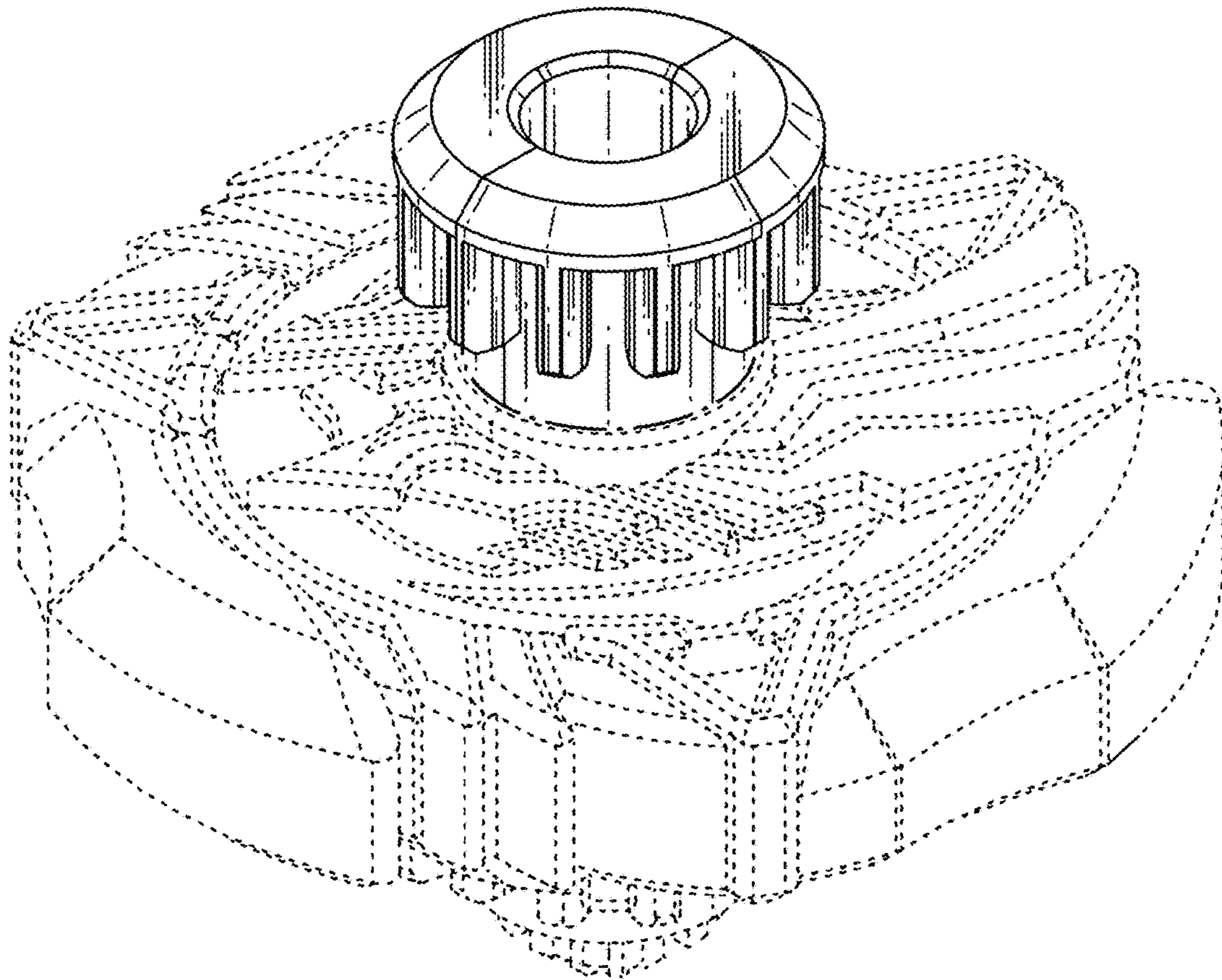


FIG. 7