



US00D837304S

(12) **United States Design Patent**
Horikoshi

(10) **Patent No.:** **US D837,304 S**
(45) **Date of Patent:** **** Jan. 1, 2019**

(54) **SPINNING TOP TOY**

(71) Applicant: **TOMY COMPANY, LTD.**, Tokyo (JP)

(72) Inventor: **Kenji Horikoshi**, Tokyo (JP)

(73) Assignee: **TOMY COMPANY, LTD.**, Tokyo (JP)

(**) Term: **15 Years**

(21) Appl. No.: **29/505,900**

(22) Filed: **Mar. 31, 2016**

(30) **Foreign Application Priority Data**

Dec. 21, 2015 (JP) 2015-028369

(51) **LOC (11) Cl.** **21-01**

(52) **U.S. Cl.**
USPC **D21/460**

(58) **Field of Classification Search**
USPC D21/436, 441, 443, 444, 455, 460-464;
446/236-266
CPC A63H 1/00-1/32; A63F 9/16
See application file for complete search history.

(56) **References Cited**

U.S. PATENT DOCUMENTS

D614,245 S *	4/2010	Ujita	D21/460
D615,602 S *	5/2010	Nishimoto	D21/460
D629,051 S *	12/2010	Nishimoto	D21/460
D629,847 S *	12/2010	Ujita	D21/460
D629,848 S *	12/2010	Ujita	D21/460
D639,348 S *	6/2011	Ujita	D21/460

(Continued)

FOREIGN PATENT DOCUMENTS

CN	3262744	*	11/2002
CN	3271036	*	1/2003

(Continued)

Primary Examiner — Catherine A Tuttle

(74) *Attorney, Agent, or Firm* — Staas & Halsey LLP

(57) **CLAIM**

The ornamental design for a spinning top toy, as shown and described.

DESCRIPTION

FIG. 1 is a front view of the spinning top toy showing our design;

FIG. 2 is a left side view thereof;

FIG. 3 is a rear view thereof;

FIG. 4 is right side view thereof;

FIG. 5 is a top view thereof;

FIG. 6 is a bottom view thereof;

FIG. 7 is a perspective view thereof;

FIG. 8 is a top plan view of the transparent portion of the design shown in isolation for clarity of disclosure;

FIG. 9 is a front view of the spinning top toy, corresponding to FIG. 1 but showing contour shading to the exterior parts and with the interior parts omitted;

FIG. 10 is a left side view thereof corresponding to FIG. 2 but showing contour shading to the exterior parts and with the interior parts omitted;

FIG. 11 is a rear view thereof corresponding to FIG. 3 but showing contour shading to the exterior parts and with the interior parts omitted;

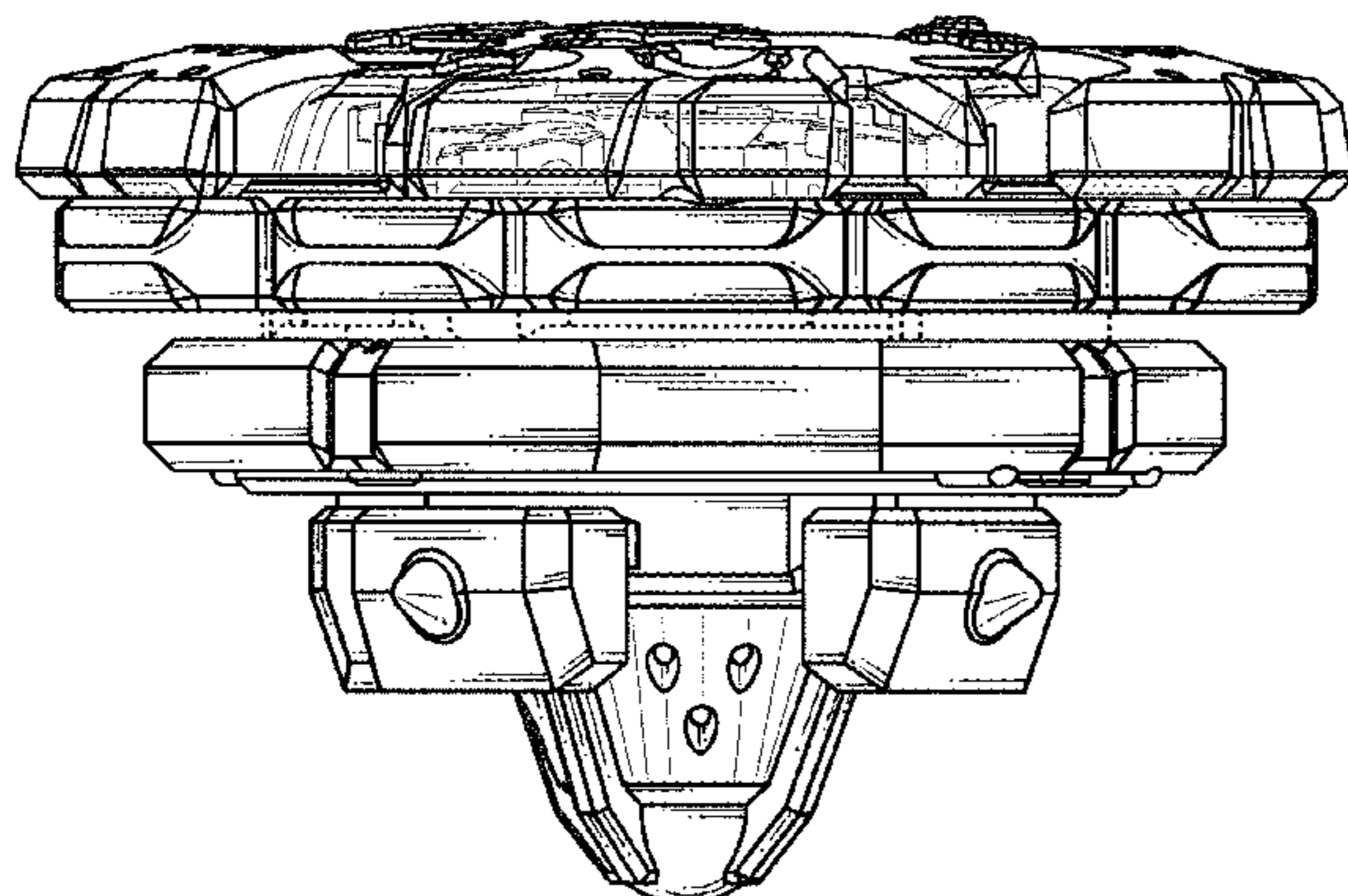
FIG. 12 is right side view thereof corresponding to FIG. 4 but showing contour shading to the exterior parts and with the interior parts omitted;

FIG. 13 is a top view thereof corresponding to FIG. 5 but showing contour shading to the exterior parts and with the interior parts omitted; and,

FIG. 14 is a perspective view thereof corresponding to FIG. 7 but showing contour shading to the exterior parts and with the interior parts omitted.

The portions of the spinning top toy shown in broken lines form no part of the claimed design.

1 Claim, 14 Drawing Sheets



(56)

References Cited

U.S. PATENT DOCUMENTS

D639,869	S	*	6/2011	Nishimoto	D21/460
D660,918	S	*	5/2012	Ujita	D21/460
D662,556	S	*	6/2012	Horikoshi	D21/460
D665,859	S	*	8/2012	Horikoshi	D21/460
D666,252	S	*	8/2012	Ujita	D21/460
D666,253	S	*	8/2012	Ujita	D21/460
2011/0177750	A1	*	7/2011	Ujita	A63H 1/04 446/263
2014/0302743	A1	*	10/2014	Cai	A63H 1/18 446/256
2015/0017872	A1	*	1/2015	Choi	A63H 1/02 446/259

FOREIGN PATENT DOCUMENTS

CN	301218930	*	5/2010		
CN	301301582	*	8/2010		
CN	301320896	*	8/2010		
CN	301531553	*	4/2011		
CN	301612142	*	7/2011		
CN	301715351	*	11/2011		
CN	302143913	*	10/2012		
CN	302552259	*	8/2013		
CN	303533300	*	12/2015		
JP	3160638	U	7/2010	A63H 1/00
JP	D1531578	*	8/2015		
JP	D1549779	*	5/2016		
WO	WO-2010151017	A2	12/2010	A63H 1/02

* cited by examiner

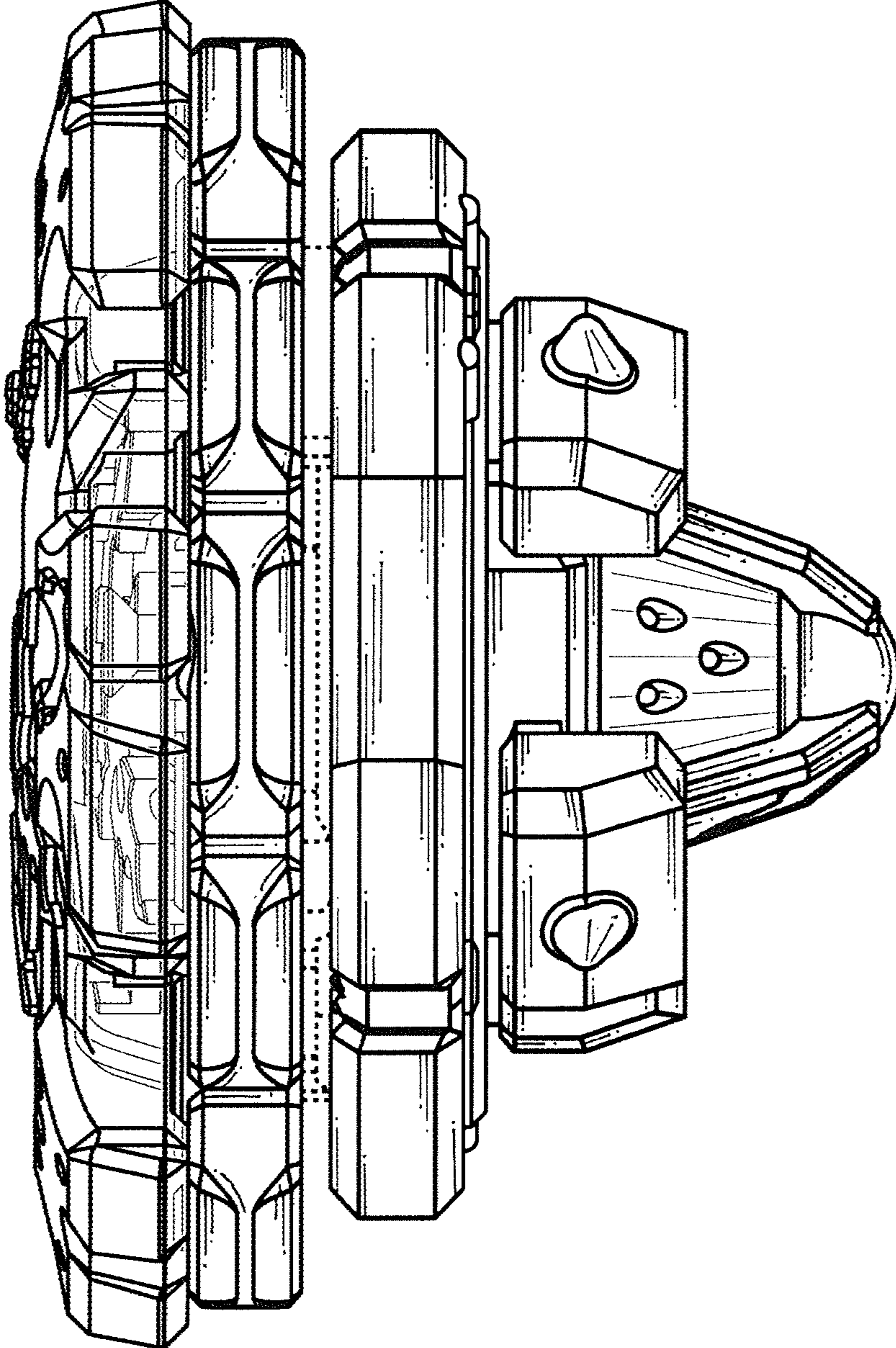


FIG. 1

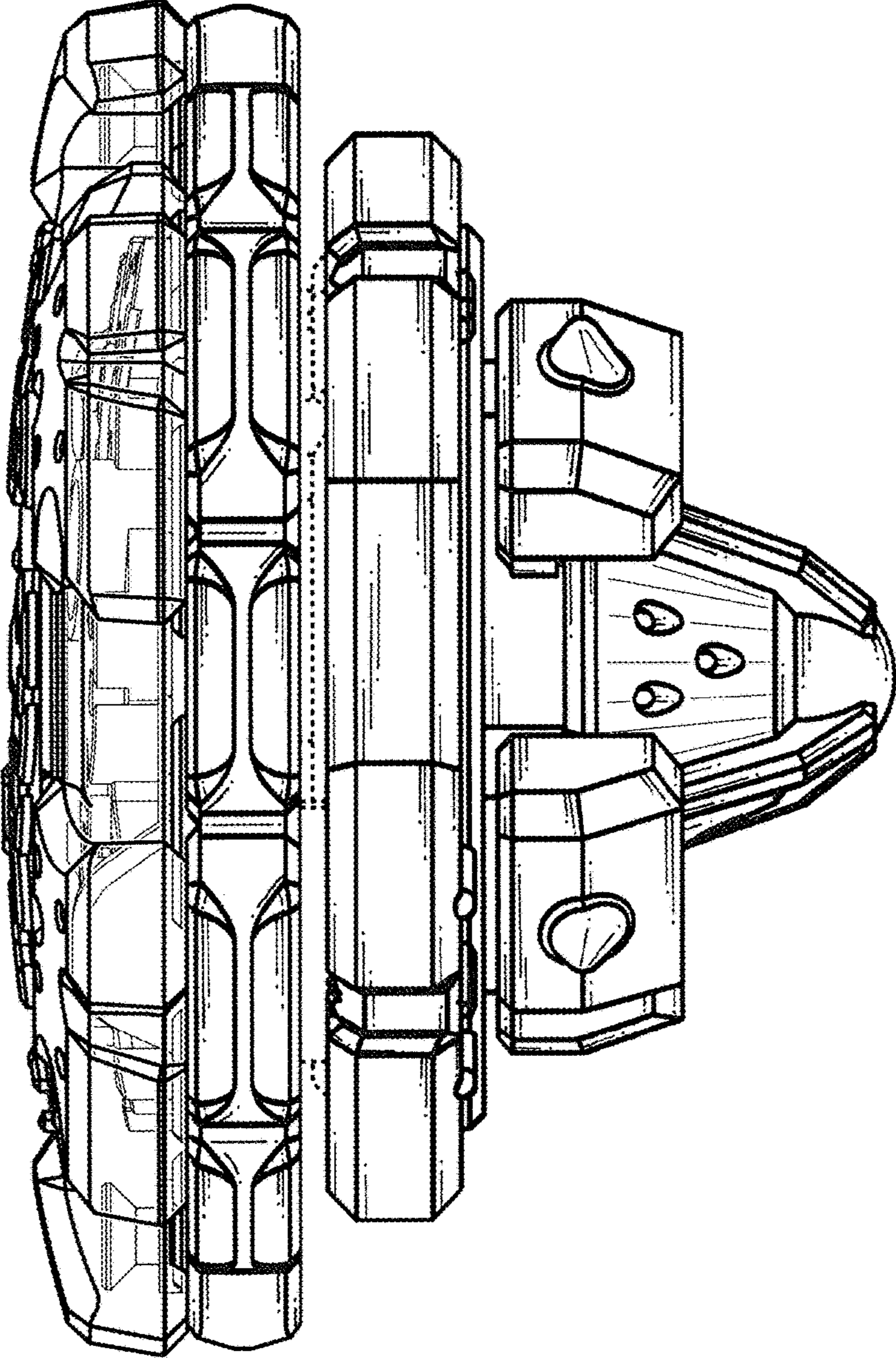


FIG. 2

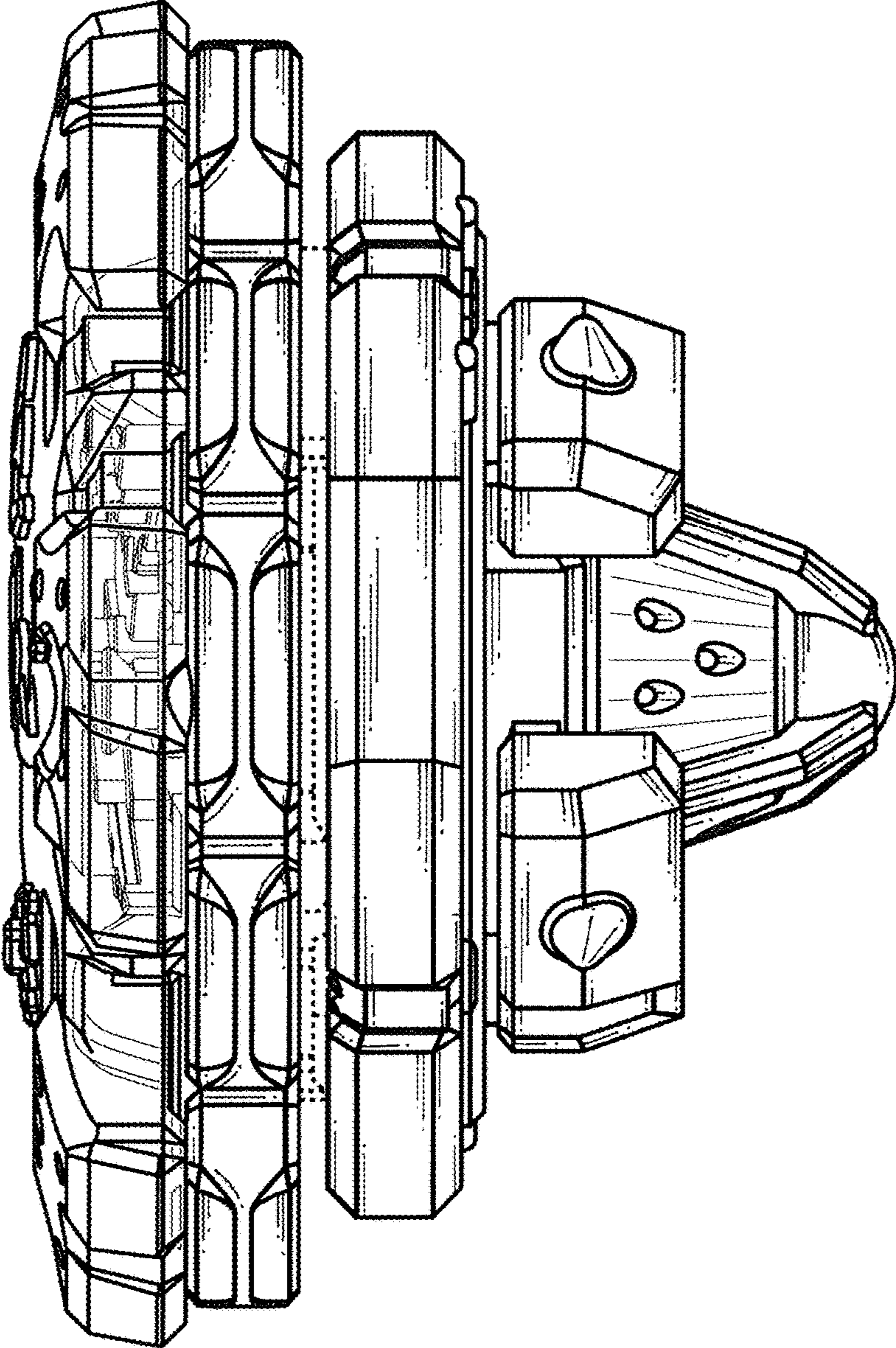


FIG. 3

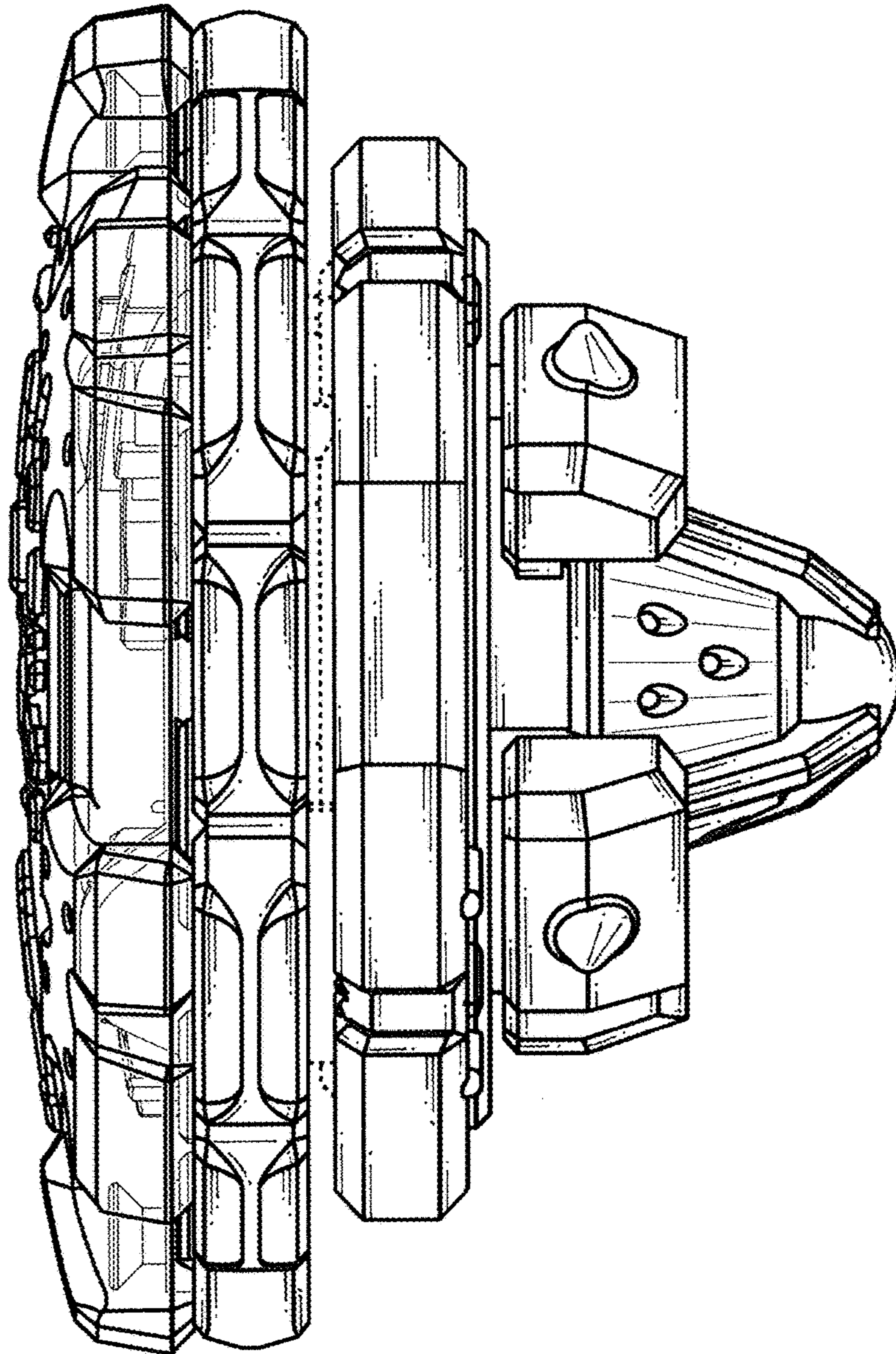


FIG. 4

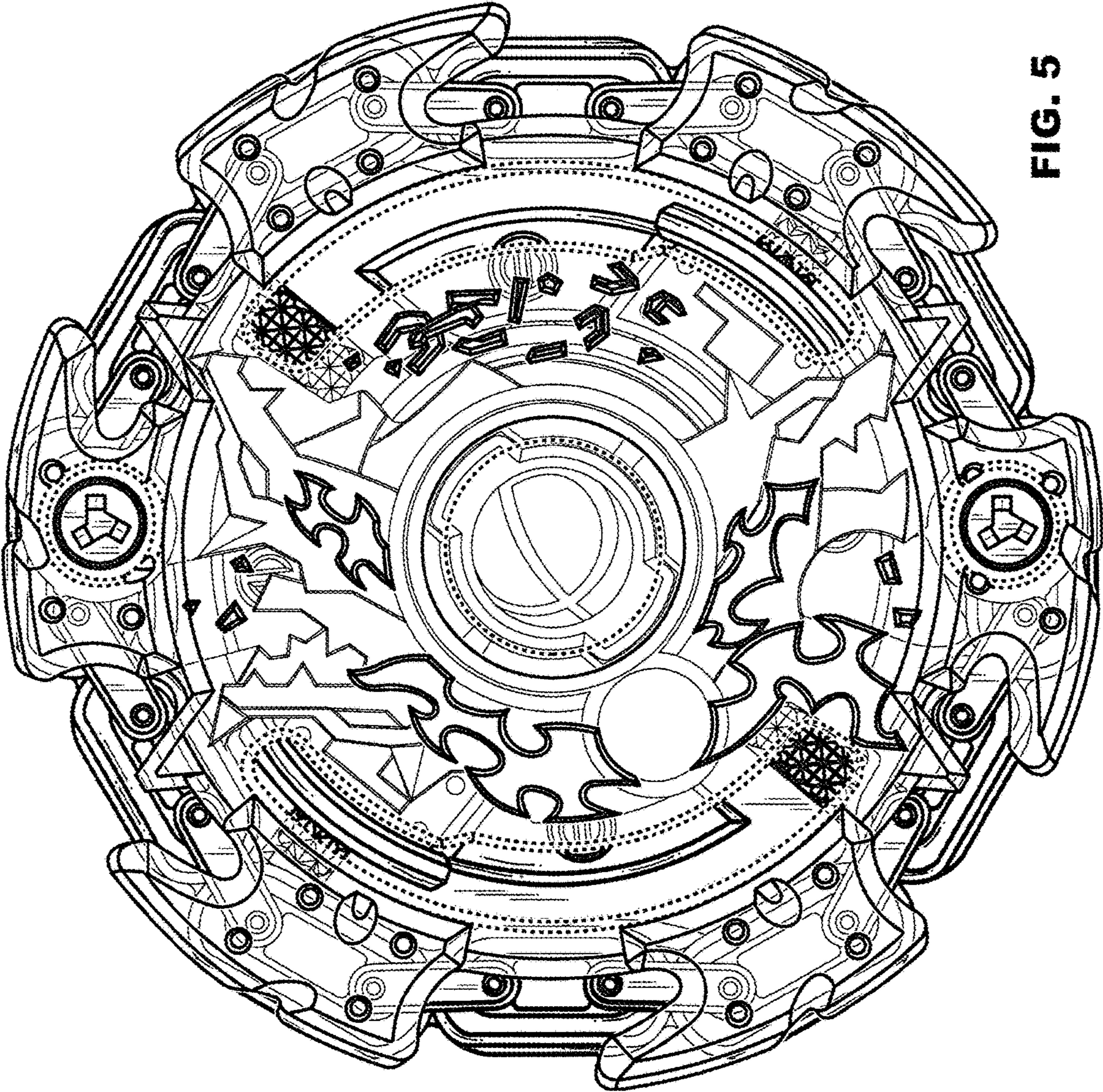


FIG. 5

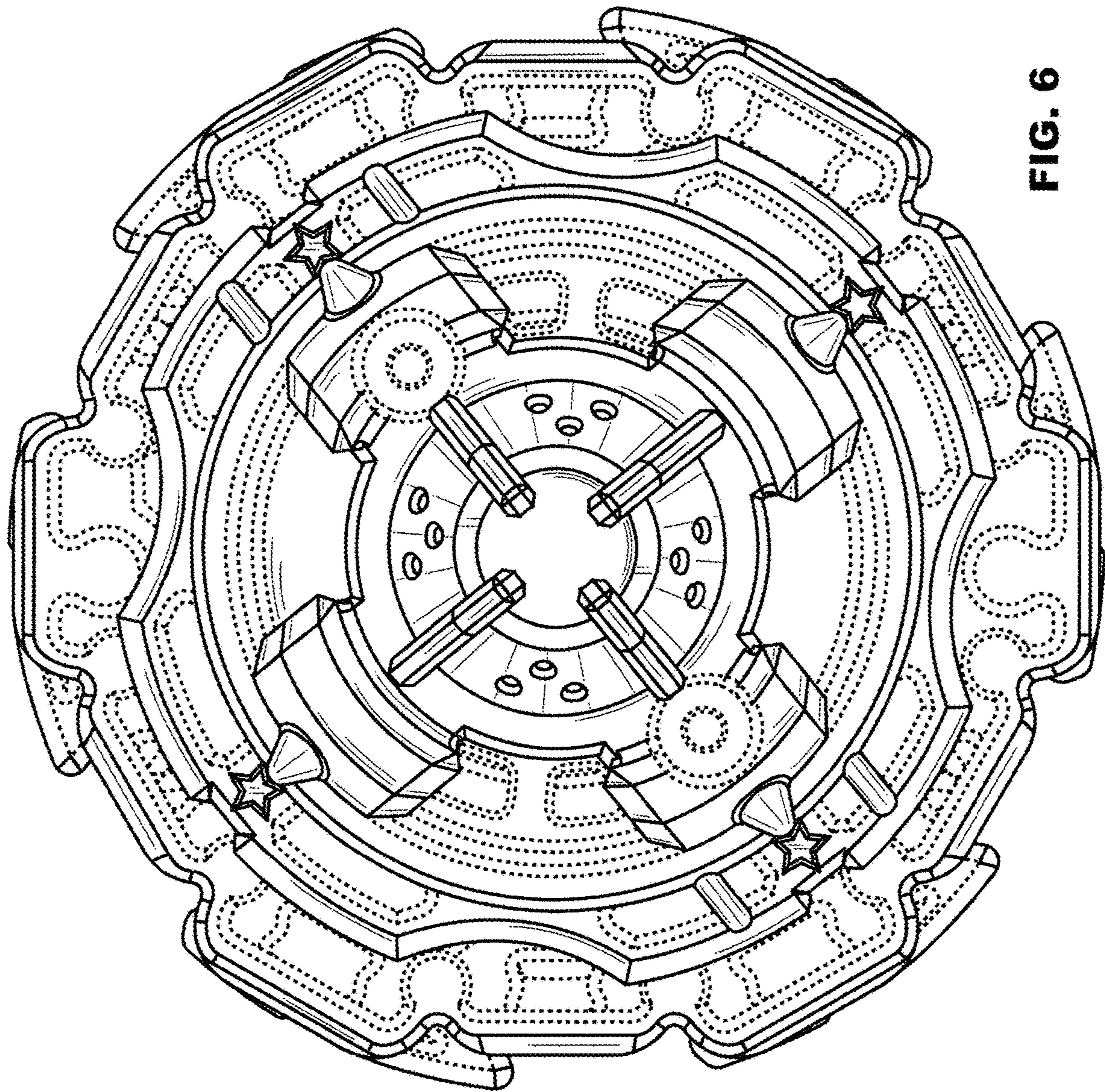


FIG. 6

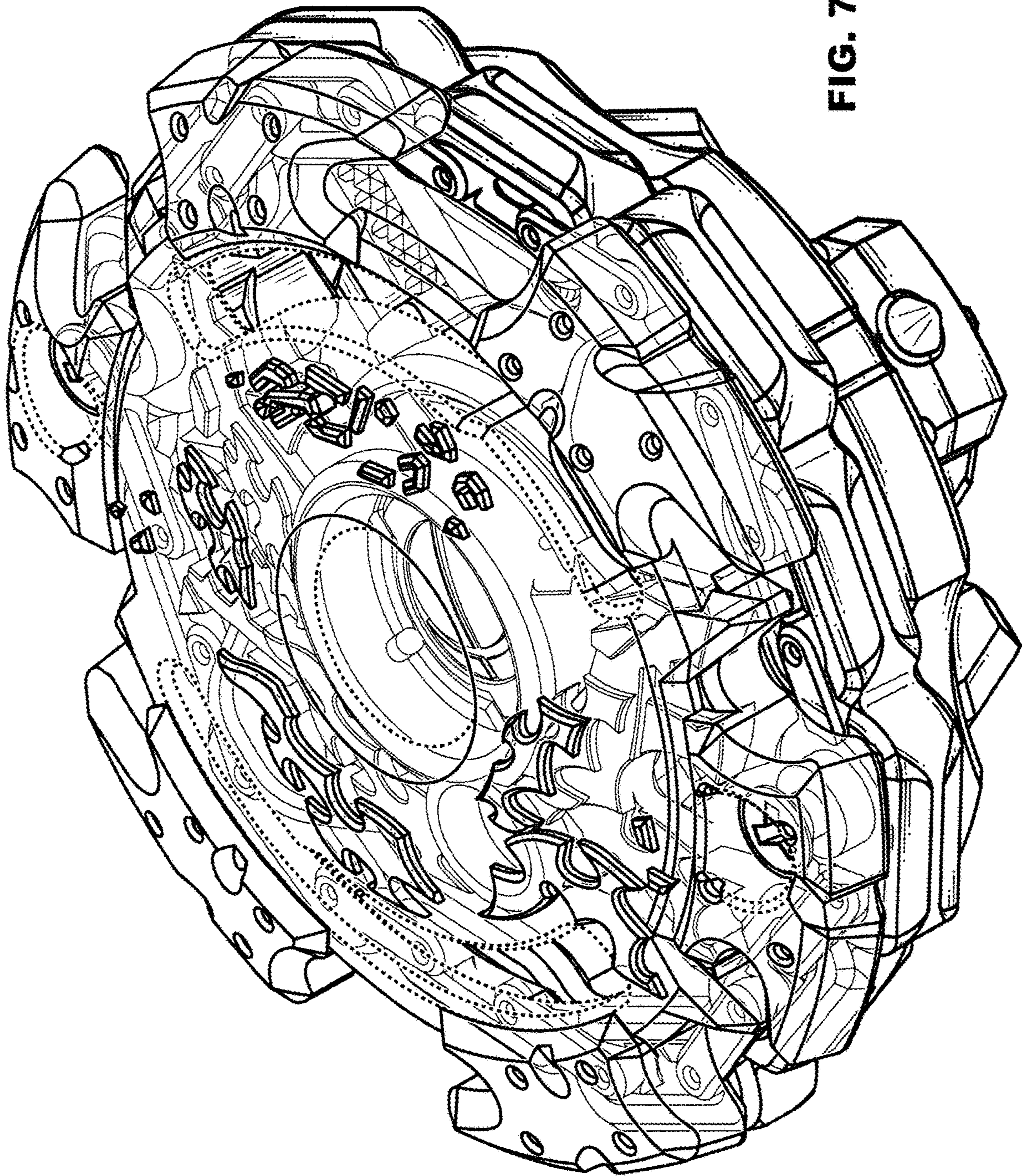


FIG. 7

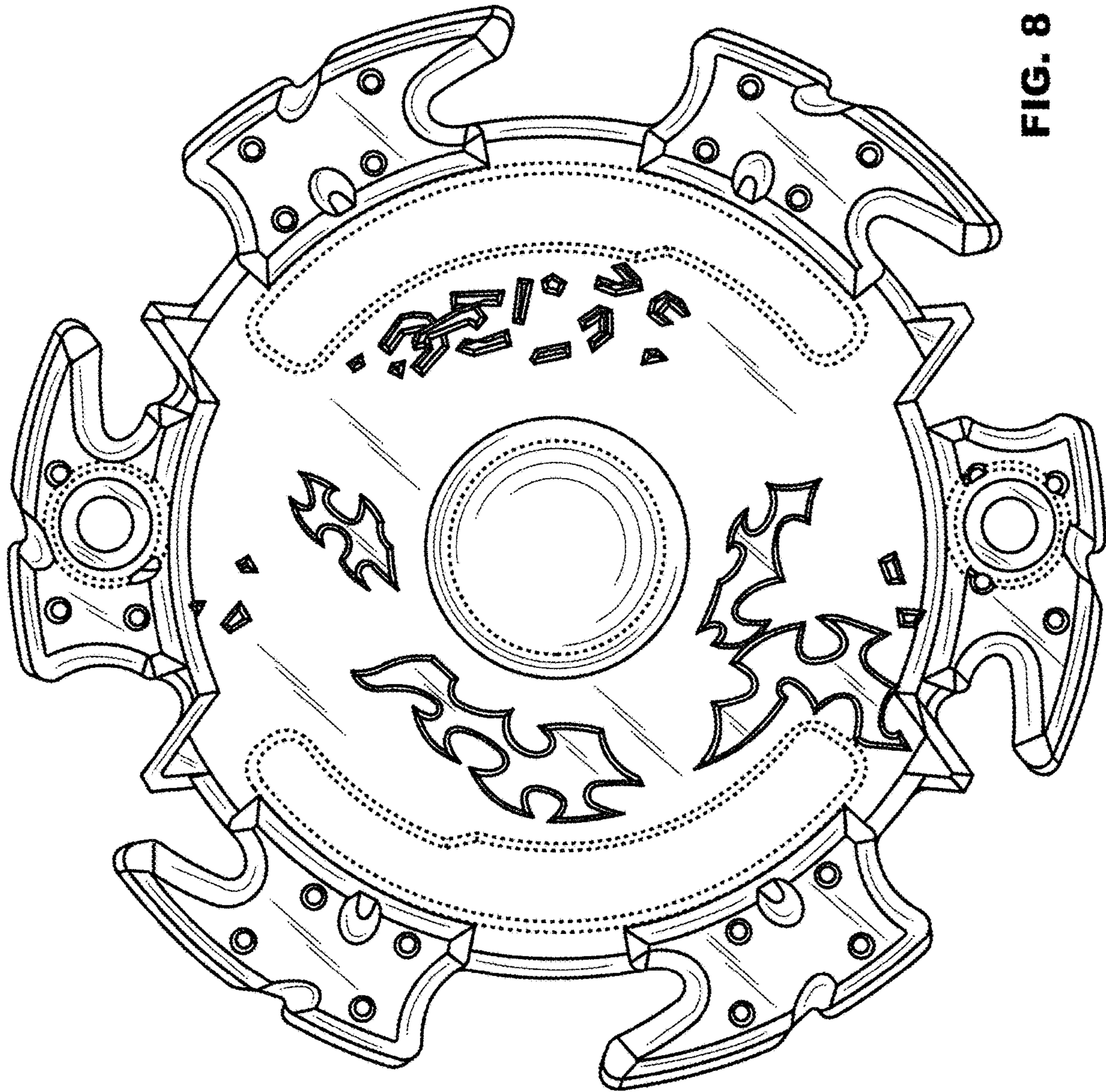


FIG. 8

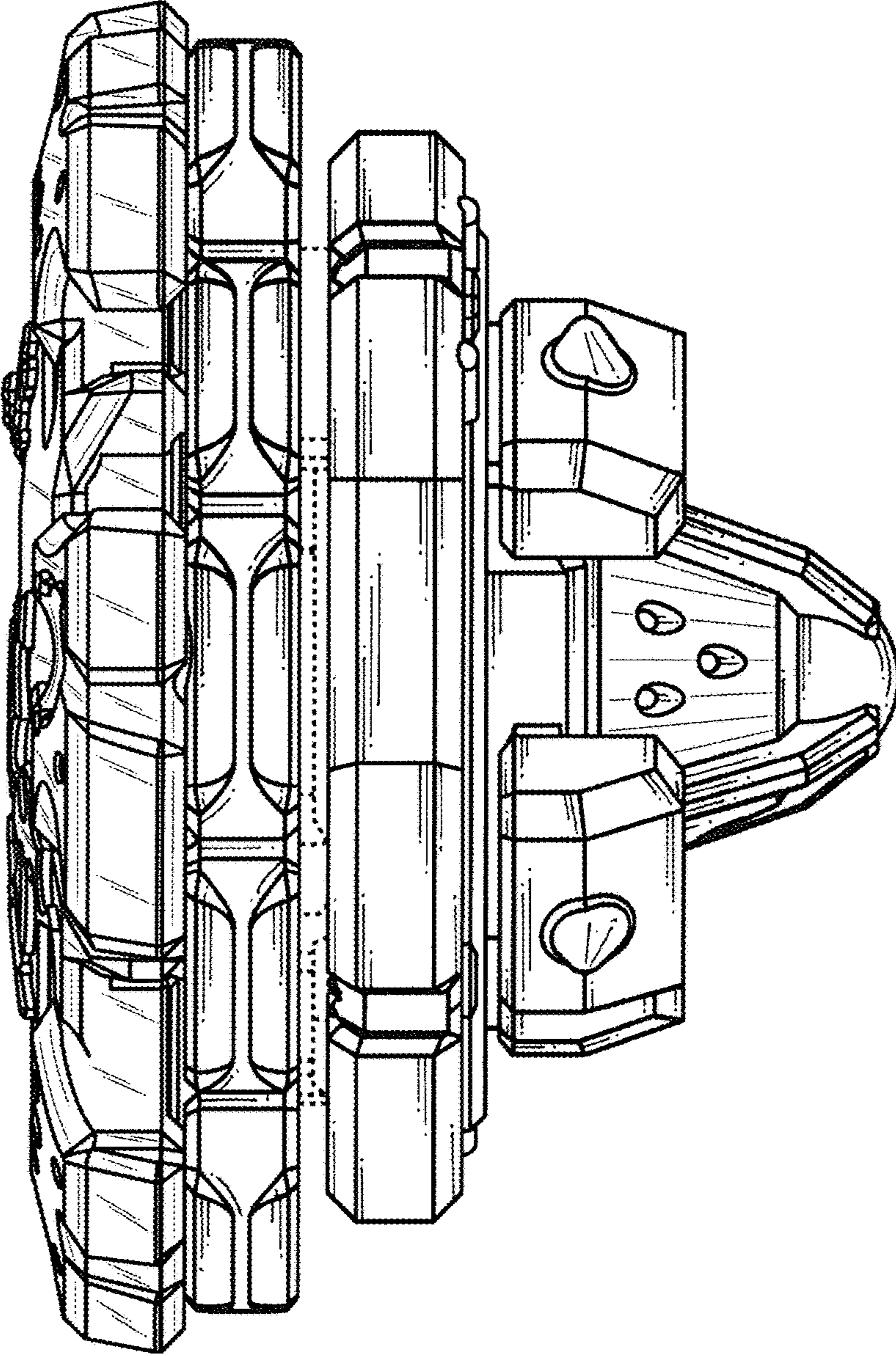


FIG. 9

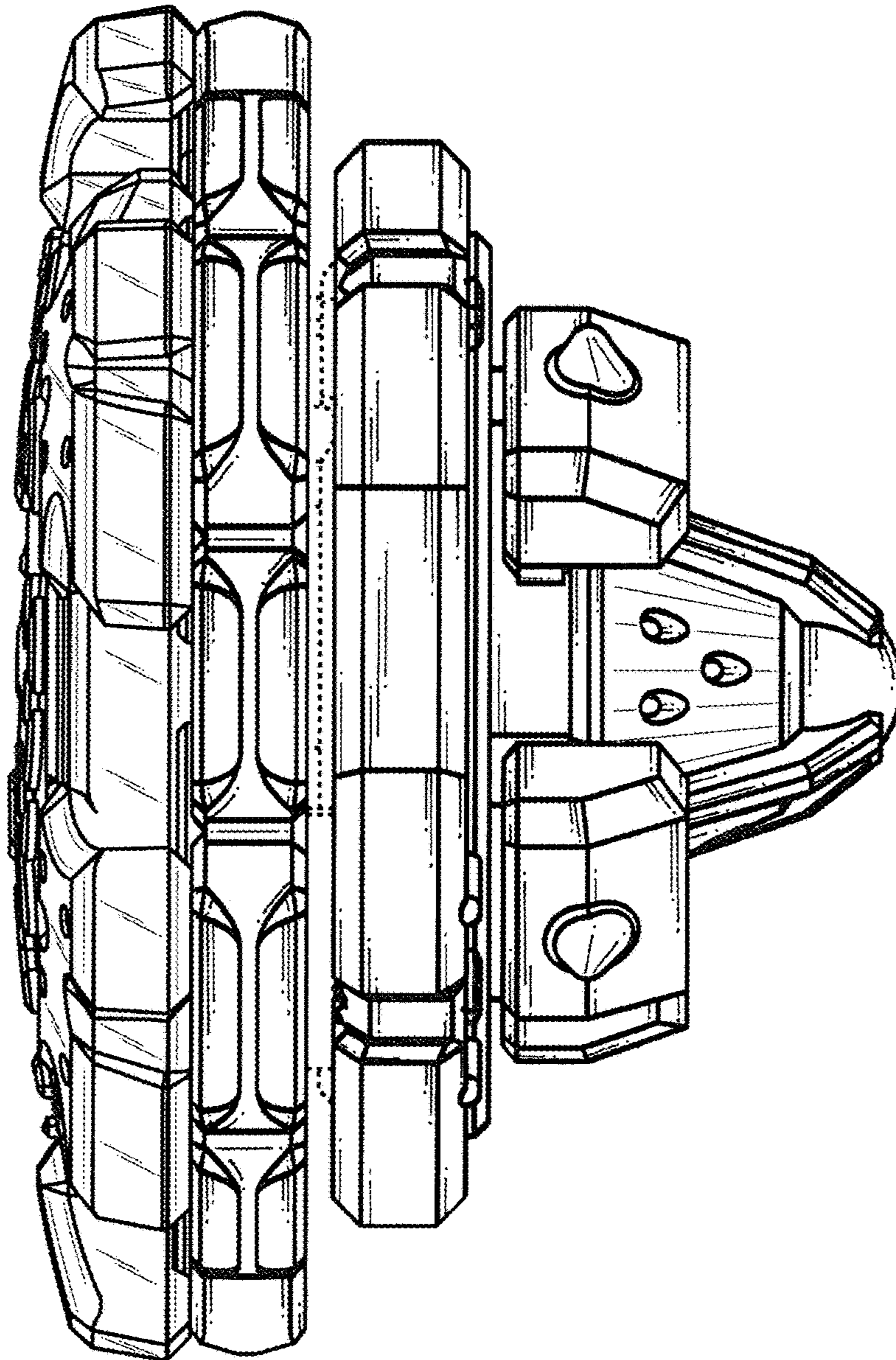


FIG. 10

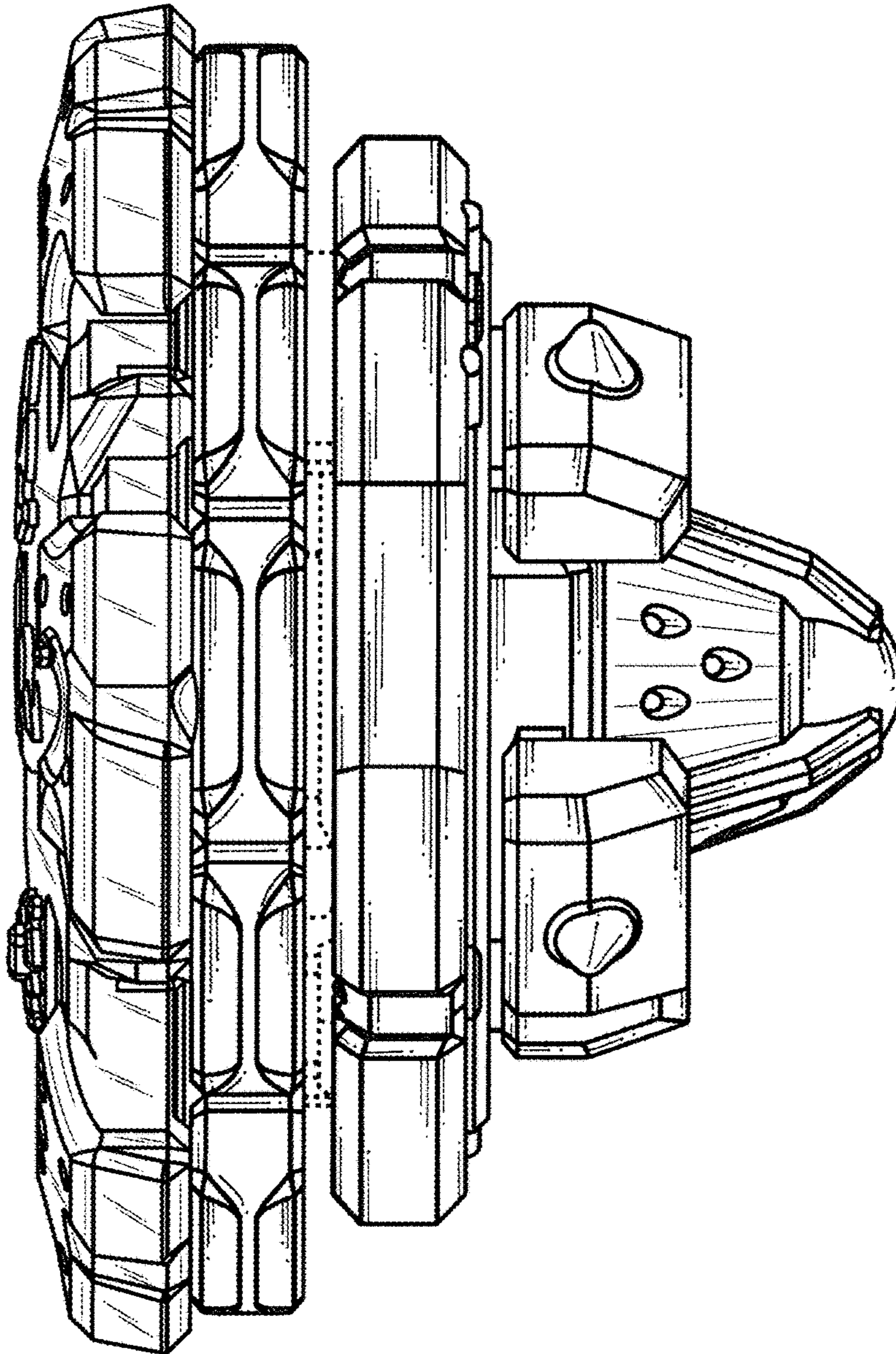


FIG. 11

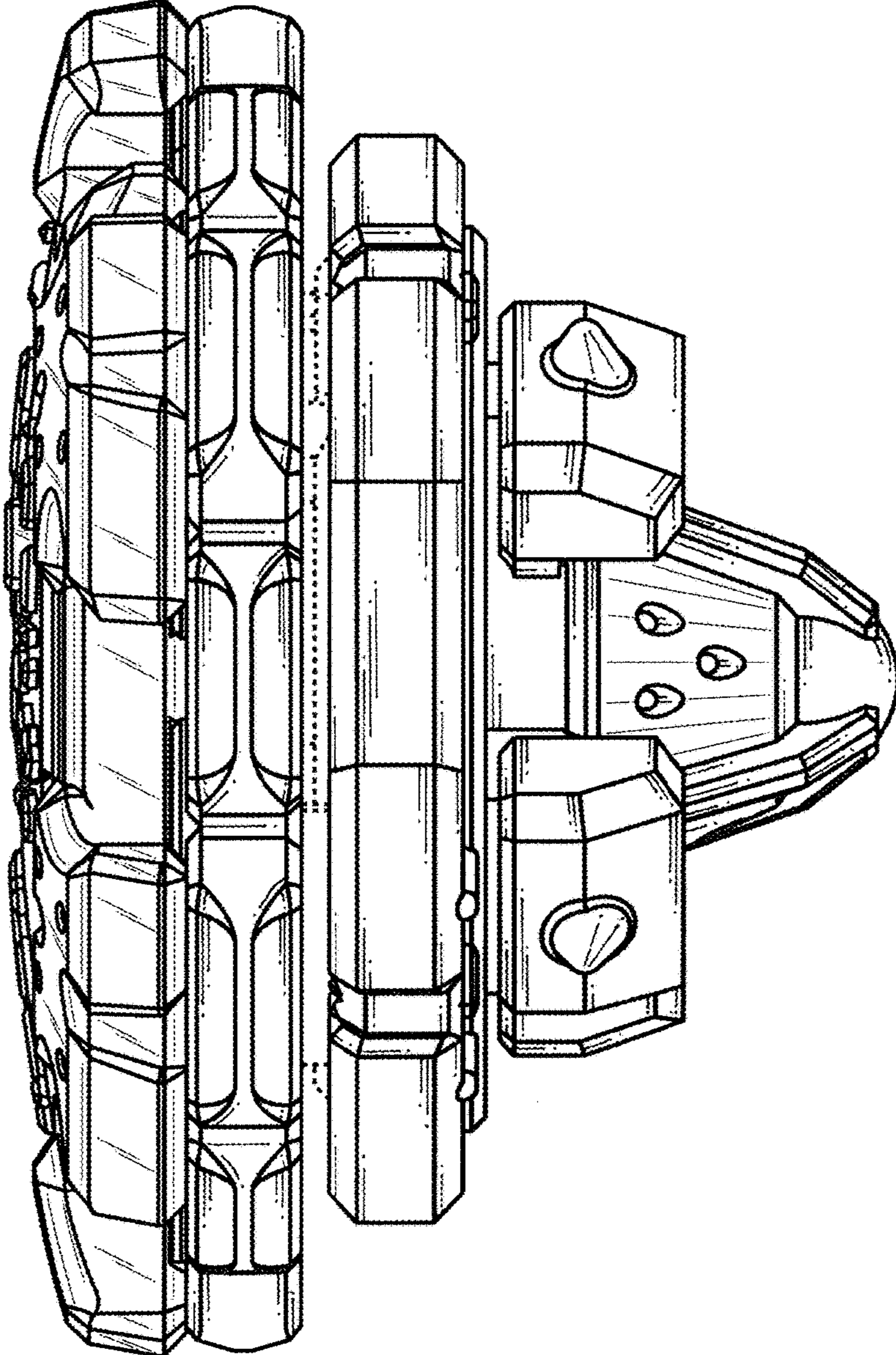


FIG. 12

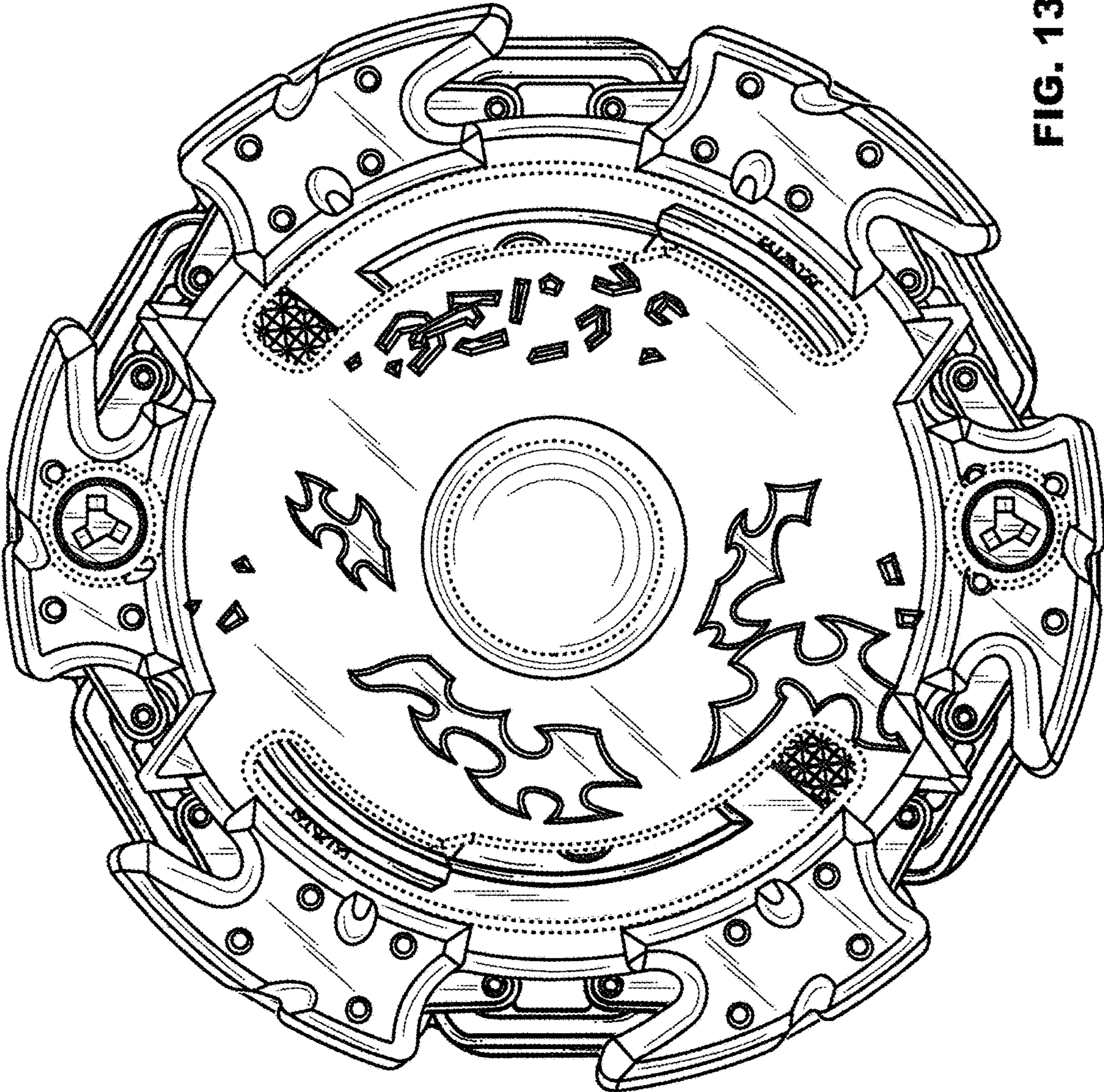


FIG. 13

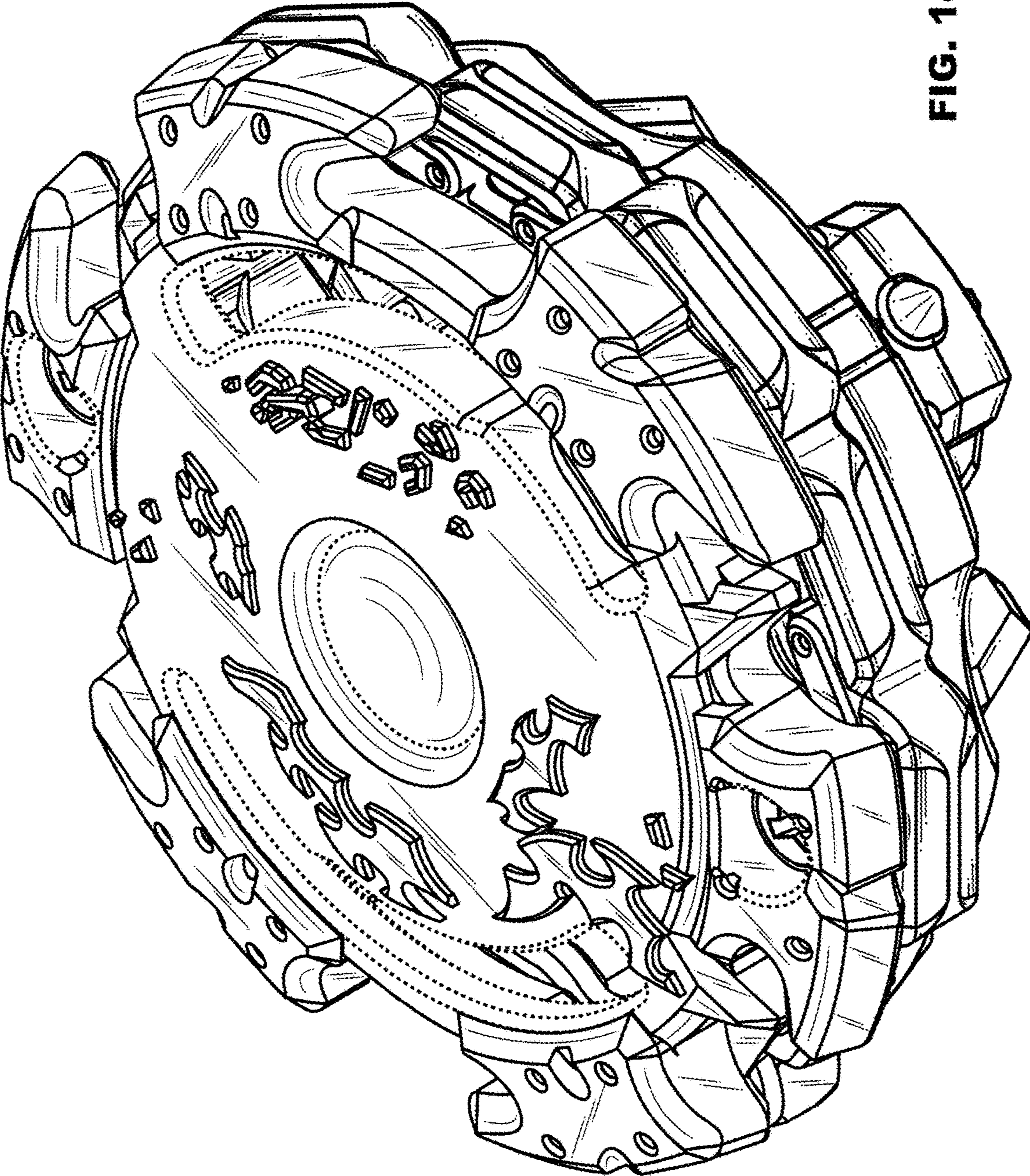


FIG. 14