



US00D837301S

(12) **United States Design Patent**
Braunschweig

(10) **Patent No.:** **US D837,301 S**
(45) **Date of Patent:** **** Jan. 1, 2019**

(54) **SPORT SIMULATION GAME BOARD**

2003/00558; A63F 2003/00943; A63F
2003/00946; A63F
2003/00952–2003/00962; A63F
2003/00974; A63F 7/00; A63F 7/06;
A63F 7/0612; A63F 7/0604; A63F
7/0616–7/0636; A63F 7/07; A63F 7/30;
(Continued)

(71) Applicant: **Jim Braunschweig**, Dakota Dunes, SD
(US)

(72) Inventor: **Jim Braunschweig**, Dakota Dunes, SD
(US)

(**) Term: **15 Years**

(56) **References Cited**

(21) Appl. No.: **29/578,112**

U.S. PATENT DOCUMENTS

(22) Filed: **Sep. 19, 2016**

D35,718 S * 2/1902 Sherman, Jr. D21/312
D140,742 S * 4/1945 Aitchison D21/312
(Continued)

(51) **LOC (11) Cl.** **21-01**

(52) **U.S. Cl.**
USPC **D21/339**

Primary Examiner — Susan Moon Lee

(58) **Field of Classification Search**

(74) *Attorney, Agent, or Firm* — Mallory M. Henninger;
Advent, LLP

USPC D21/334, 337–342, 355–359, 365, 318,
D21/397, 323, 484, 486, 491, 500, 561;
273/242, 244–247, 259, 277, 287, 317.3,
273/108.1, 108.5, 118 D, 236–240, 283,
273/309, 441, 461, 108, 126 R, 398,
273/400–402, 317.1; D6/406.1, 406.3,
D6/406.4, 406.6; D19/86, 92, 95, 87,
D19/113, 75, 77, 78, 80, 64; 108/14, 62,
108/43, 67; 434/416, 247, 248, 251, 408,
434/413, 145, 430; D25/38.1, 41.1, 47.1,
D25/48.2, 48.3, 48.8, 55, 58, 60, 61, 66,
D25/68, 69, 102, 112, 113, 118, 119, 126,
D25/127, 133, 134, 136, 138, 164, 199;
473/18–20, 4, 7, 12

CPC A63F 3/00; A63F 3/00003; A63F 3/00028;
A63F 3/00041; A63F 3/00044; A63F
3/00047; A63F 3/00173; A63F 3/00176;
A63F 3/00214; A63F 3/00261; A63F
3/00643; A63F 3/00646–3/00659; A63F
3/04; A63F 2003/00182; A63F
2003/00223; A63F 2003/00457; A63F
2003/0046; A63F 2003/00463; A63F
2003/00466; A63F 2003/0047; A63F
2003/00485; A63F 2003/00492; A63F
2003/00507; A63F 2003/00514; A63F
2003/00533; A63F 2003/00552; A63F

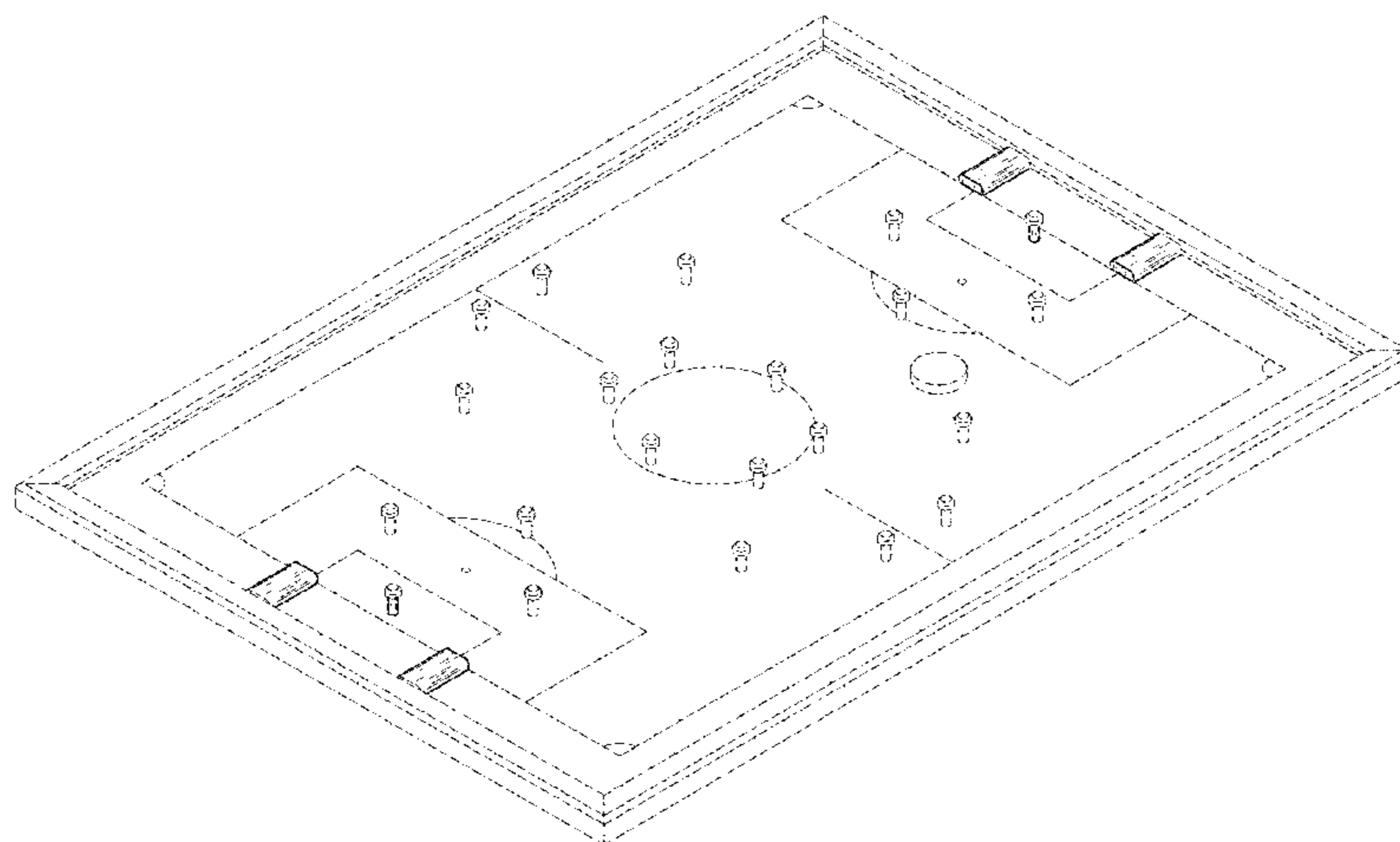
(57) **CLAIM**

The ornamental design for a sport simulation game board, as
shown and described.

DESCRIPTION

FIG. 1 is a top plan view of a sport simulation game board.
FIG. 2 is a bottom plan view of the sport simulation game
board of FIG. 1.
FIG. 3 is a front view of the sport simulation game board of
FIG. 1.
FIG. 4 is a back view of the sport simulation game board of
FIG. 1.
FIG. 5 is a left side view of the sport simulation game board
of FIG. 1.
FIG. 6 is a right side view of the sport simulation game
board of FIG. 1; and,
FIG. 7 is an isometric view of the sport simulation game
board of FIG. 1.
Portions of FIGS. 1 through 7 are shown in broken lines
illustrating portions of the article that form no part of the
claimed design.

1 Claim, 7 Drawing Sheets



(58) **Field of Classification Search**
 CPC A63F 7/36; A63F 7/0005; A63F 7/0017;
 A63F 7/0023; A63F 2007/0035; A63F
 2007/367; A63F 2007/3674; A63D
 15/005; A63D 15/006; A63B 69/00;
 A63B 69/002; A63B 69/0024; A63B
 69/0026; A63B 71/0608; A63B
 2069/0004; G09B 19/0038
 See application file for complete search history.

(56) **References Cited**

U.S. PATENT DOCUMENTS

D141,734 S * 7/1945 Collins D21/342
 D145,099 S * 6/1946 Motley et al. D21/323
 2,608,454 A * 8/1952 Slattery A47B 25/00
 108/26
 3,086,778 A * 4/1963 Maurer A63F 7/0616
 273/108.55
 3,091,459 A * 5/1963 Lindman A63F 7/068
 124/7
 D213,211 S * 1/1969 Leggat D21/340
 D213,706 S * 4/1969 Kraemer D21/340
 D223,713 S * 5/1972 Reay D21/340
 D232,569 S * 8/1974 Adams D21/340
 D240,747 S * 7/1976 Paasikallio D21/318
 4,032,151 A * 6/1977 Morse A63F 3/00097
 273/242
 4,060,245 A * 11/1977 Gamez Duch A63F 7/0668
 273/108.5

4,310,159 A * 1/1982 Wing A63F 7/066
 273/108
 D268,351 S * 3/1983 Steinberg D21/340
 D285,579 S * 9/1986 Hill D21/339
 D294,720 S * 3/1988 MacDowell D21/318
 5,092,595 A * 3/1992 Daravina A63F 7/0668
 273/108.5
 5,242,164 A * 9/1993 Nicoll A63F 7/0668
 273/108.5
 D351,867 S * 10/1994 Rafferty D21/339
 5,431,397 A * 7/1995 Eckel A63F 7/0668
 273/108.1
 5,553,854 A * 9/1996 Rum A63F 3/00097
 273/267
 D377,669 S * 1/1997 Walker D21/358
 D389,201 S * 1/1998 Redler D21/500
 5,827,072 A * 10/1998 Neufer A63B 69/002
 434/416
 D594,512 S * 6/2009 Richards D21/484
 D604,772 S * 11/2009 Tower D21/318
 D657,828 S * 4/2012 Arnold D21/471
 D660,371 S * 5/2012 Fuchs D21/338
 D695,857 S * 12/2013 Sterios D21/686
 D733,993 S * 7/2015 Sutaria D1/127
 D777,265 S * 1/2017 Marcil D21/491
 D809,163 S * 1/2018 Bilge D25/138
 9,993,720 B1 * 6/2018 Carroll A63F 7/0017
 2011/0224028 A1 * 9/2011 Slakey A63B 69/0002
 473/452
 2012/0202609 A1 * 8/2012 Williams A63D 15/00
 473/20

* cited by examiner

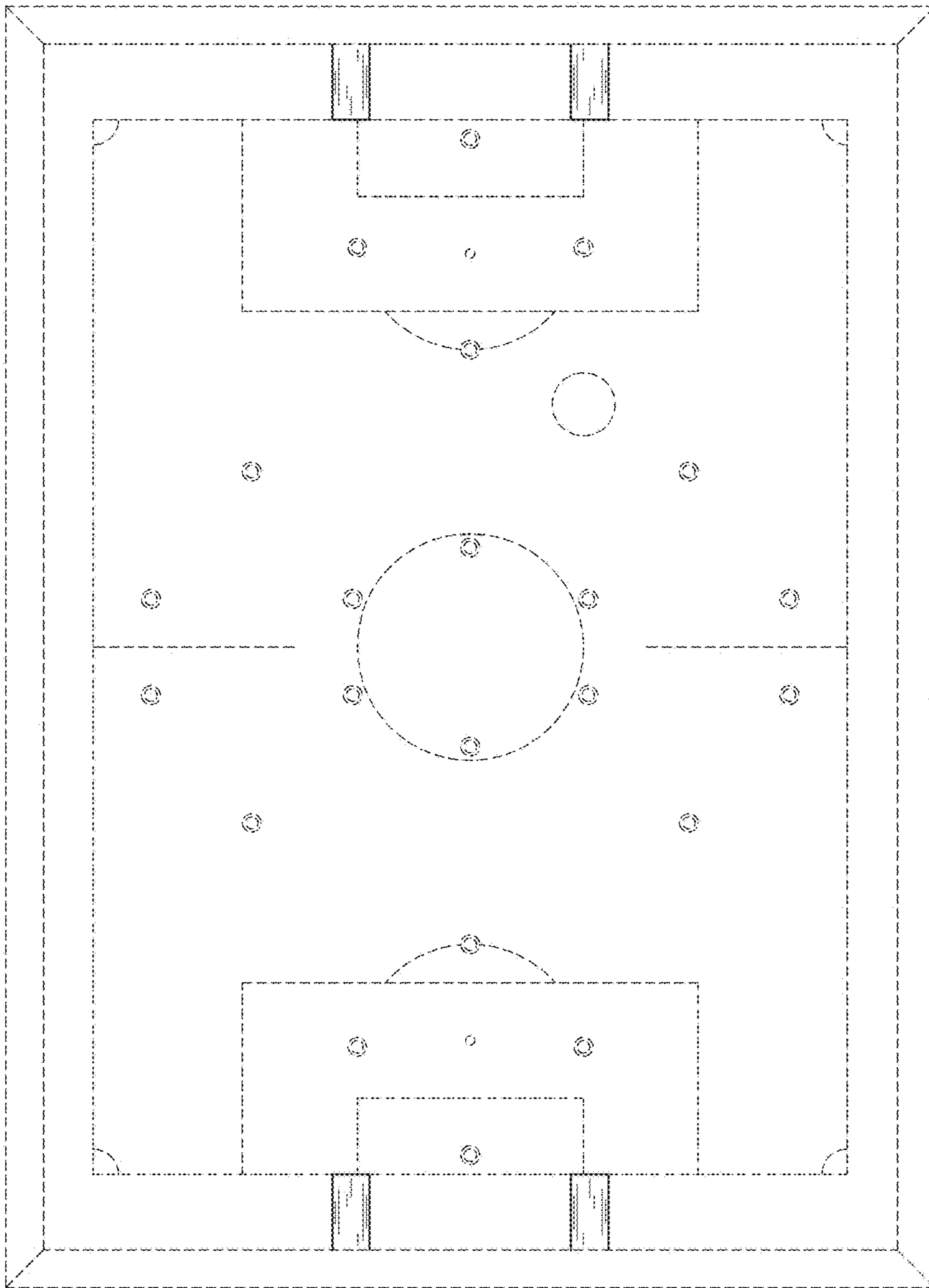


FIG. 1

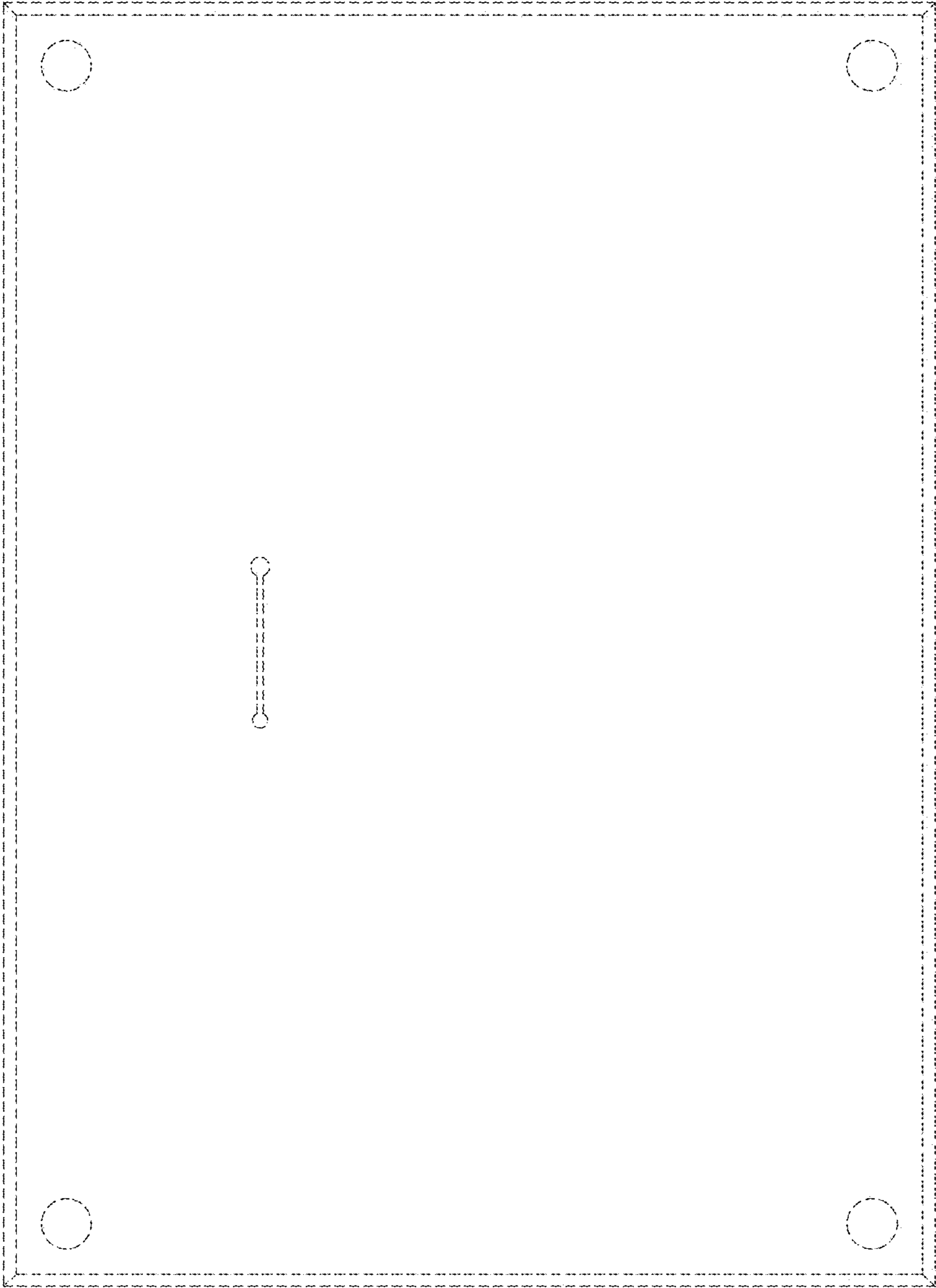


FIG. 2

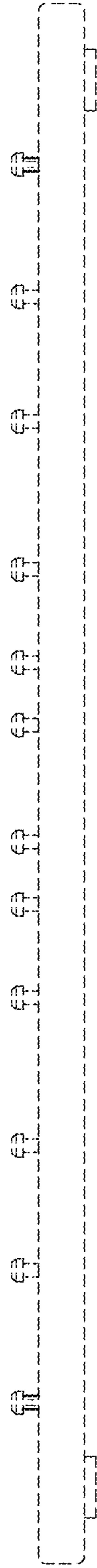


FIG. 3

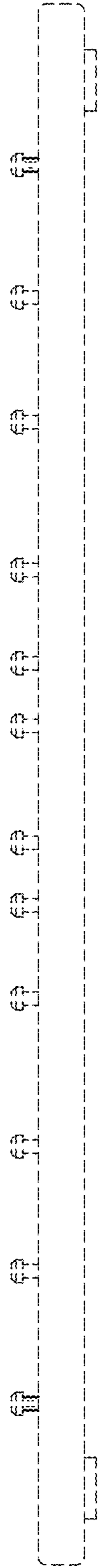


FIG. 4

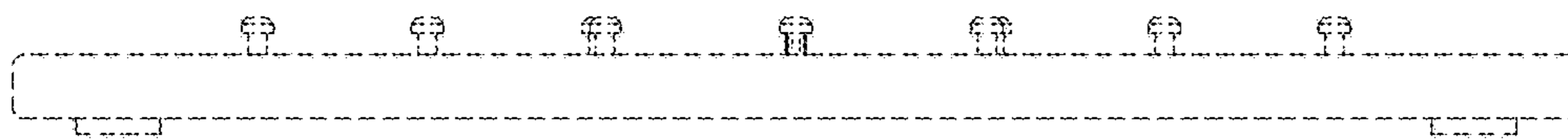


FIG. 5

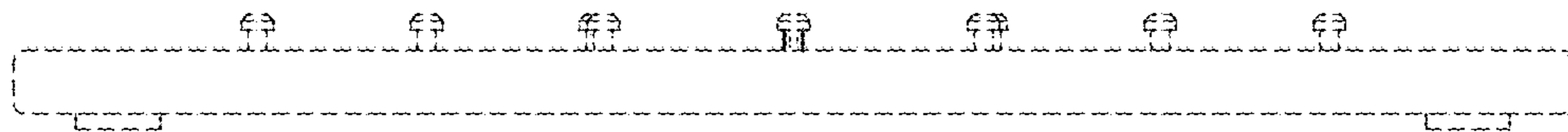


FIG. 6

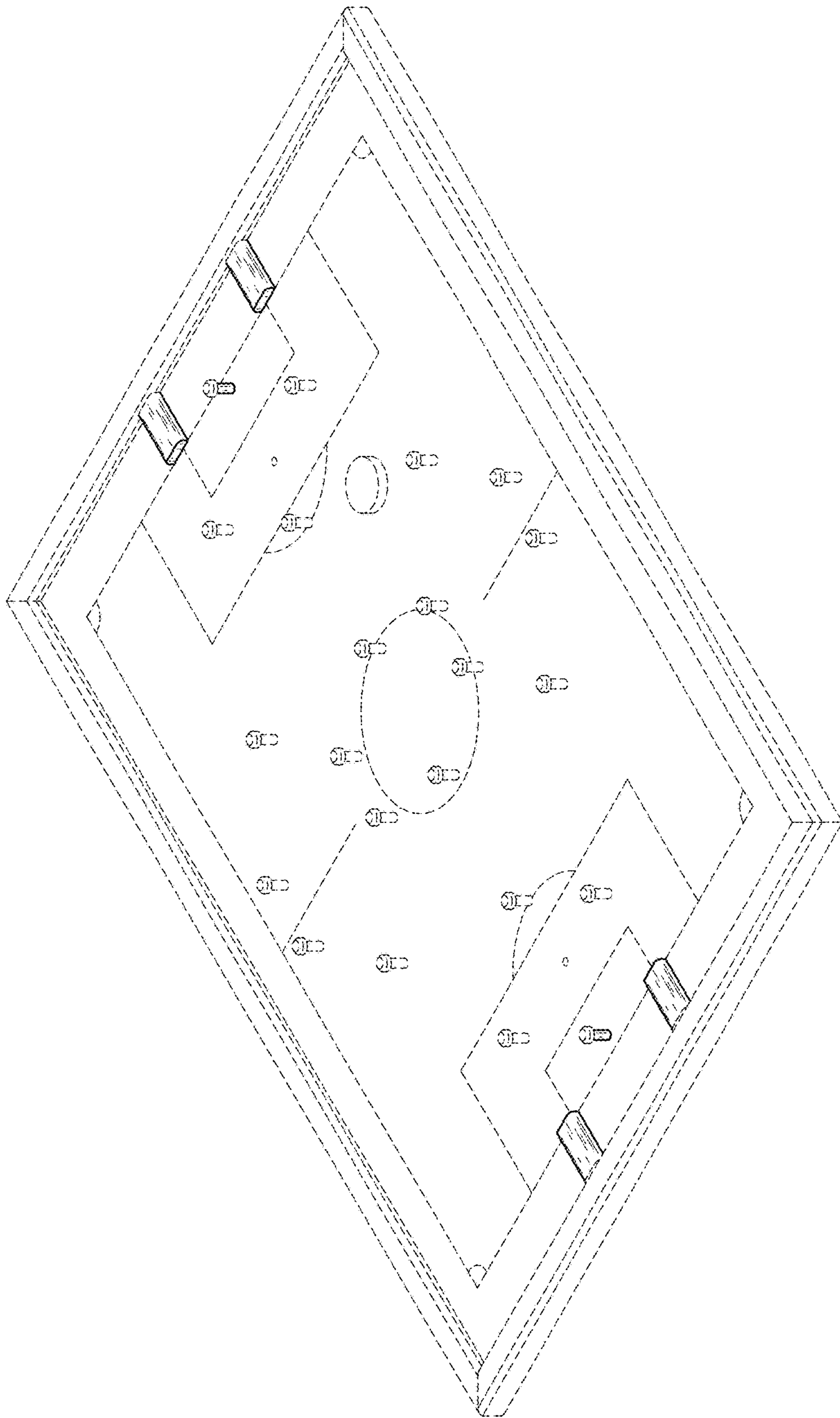


FIG. 7