



US00D837297S

(12) **United States Design Patent** (10) **Patent No.:** **US D837,297 S**  
**Muroi** (45) **Date of Patent:** **\*\* Jan. 1, 2019**

(54) **MARKING PEN**

FOREIGN PATENT DOCUMENTS

(71) Applicant: **Kuretake Co., Ltd.**, Nara (JP)

JP 1428905 S 12/2011  
KR 300490362 S 5/2008  
KR 300513823 S 12/2008

(72) Inventor: **Tomomi Muroi**, Nara (JP)

(73) Assignee: **Kuretake Co., Ltd.**, Nara (JP)

OTHER PUBLICATIONS

(\*\*) Term: **15 Years**

Twin Art Markers Pen, item code 184058761, from Vivian 5168, earliest review Mar. 4, 2016, Dhgate.com.\*

(21) Appl. No.: **29/587,596**

(Continued)

(22) Filed: **Dec. 14, 2016**

*Primary Examiner* — Elizabeth A. Albert

(74) *Attorney, Agent, or Firm* — The Webb Law Firm

(30) **Foreign Application Priority Data**

(57) **CLAIM**

The ornamental design for a marking pen, as shown and described.

Jun. 16, 2016 (JP) ..... 2016-012894

(51) **LOC (11) Cl.** ..... **19-06**

**DESCRIPTION**

(52) **U.S. Cl.**

USPC ..... **D19/117**; D19/926

(58) **Field of Classification Search**

USPC ..... D14/411; D19/115-204; D9/724, 725

CPC . B43K 7/00; B43K 7/005; B43K 7/12; B43K

8/04; B43K 8/06; B43K 19/00; B43K

19/02; B43K 19/14; B43K 21/006; B43K

23/06; B43K 24/08

See application file for complete search history.

FIG. 1 is an enlarged perspective view of a marking pen showing my new design;

FIG. 2 is a front elevation view thereof, the rear elevation view being the same as the front elevation view;

FIG. 3 is a top view thereof;

FIG. 4 is a bottom view thereof;

FIG. 5 is a right side elevation view thereof, the left side elevation view being the same as the right side elevation view;

FIG. 6 is a sectional view taken along the lines 6-6 in FIG. 3;

FIG. 7 is a front elevation view of the body thereof shown without the caps for convenience;

FIG. 8 is a top view thereof;

FIG. 9 is an enlarged right side elevation view thereof;

FIG. 10 is an enlarged left side elevation view thereof;

FIG. 11 is a front elevation view of the cap thereof shown without the pen body or other cap for convenience; and,

FIG. 12 is an enlarged right side elevation view thereof.

The portions of the marking pen, shown in broken lines form no part of the claimed design.

(56) **References Cited**

U.S. PATENT DOCUMENTS

D279,992 S \* 8/1985 Gribb ..... 401/199

D295,537 S \* 5/1988 Davidson ..... D19/117

D336,425 S \* 6/1993 Napora, Jr. .... D19/117

6,004,057 A \* 12/1999 Fulop ..... B43K 27/08

401/195

D439,611 S \* 3/2001 Fukami ..... D19/117

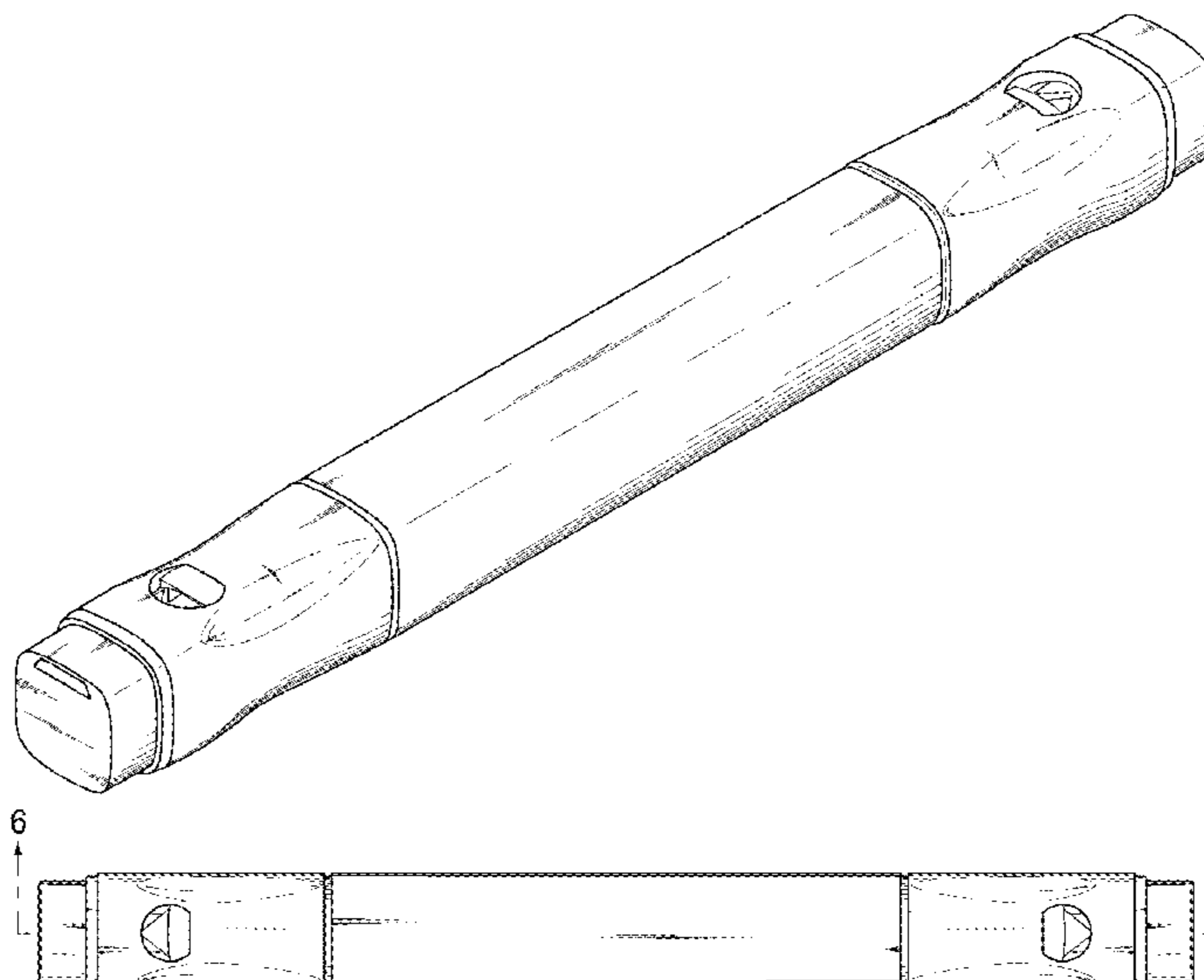
D460,485 S \* 7/2002 Keda ..... D19/163

D470,885 S \* 2/2003 Tahara ..... D19/117

D491,810 S \* 6/2004 Kostow ..... D28/7

(Continued)

**1 Claim, 6 Drawing Sheets**



(56)

**References Cited**

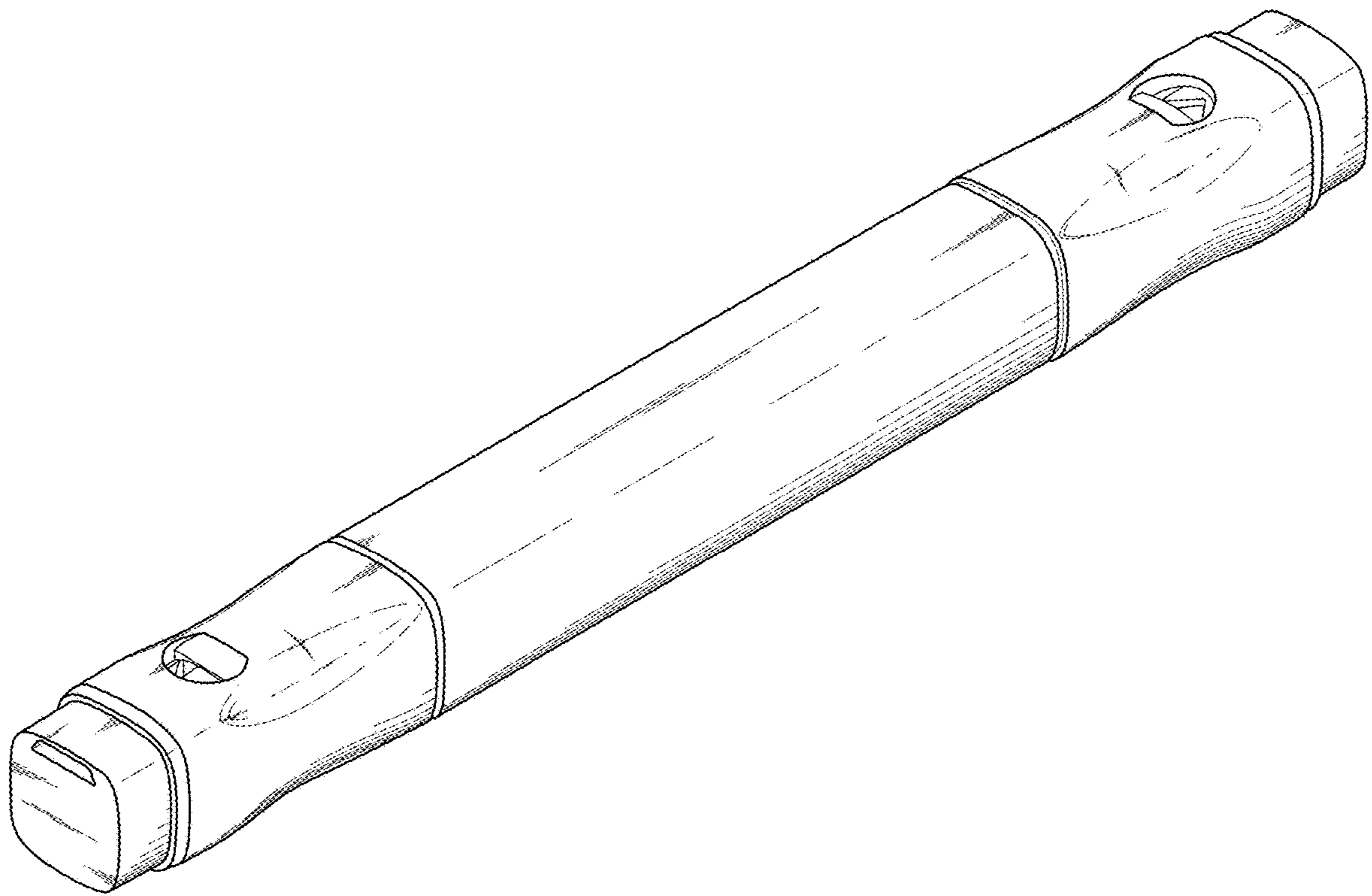
U.S. PATENT DOCUMENTS

D533,224 S \* 12/2006 Dovellos ..... D19/159  
D580,489 S \* 11/2008 Ma ..... D19/117  
7,448,767 B2 \* 11/2008 Zhang ..... A45D 34/045  
362/118  
D585,489 S \* 1/2009 Han ..... D19/117  
D590,876 S \* 4/2009 Shi ..... D19/117  
D601,191 S \* 9/2009 Hung ..... D19/117  
D607,510 S \* 1/2010 Jun ..... D19/163  
D626,994 S \* 11/2010 Gerules ..... D19/117  
D639,337 S \* 6/2011 Hung ..... D19/117  
D639,338 S \* 6/2011 Hung ..... D19/163  
D655,753 S \* 3/2012 Han ..... D19/117  
D656,545 S \* 3/2012 Hung ..... D19/117  
D662,979 S \* 7/2012 Xie ..... D19/163  
D681,038 S \* 4/2013 Tomohiro ..... D14/411  
D713,459 S \* 9/2014 Zeitler ..... D19/117  
D728,024 S \* 4/2015 Shimada ..... D19/163  
D761,123 S \* 7/2016 Breidenbach ..... D28/7  
D775,279 S \* 12/2016 Shen ..... D19/117  
D800,566 S \* 10/2017 Wieland ..... D9/529

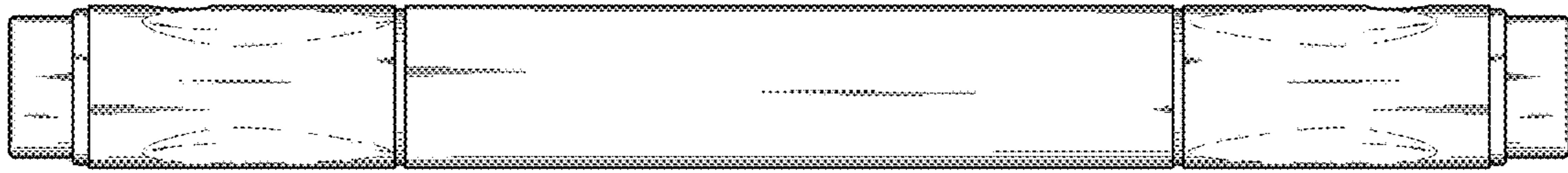
OTHER PUBLICATIONS

Publicly Known Material No. HA01016503, Idea, No. 2, vol. 37, p. 7 (Mar. 1, 1989).

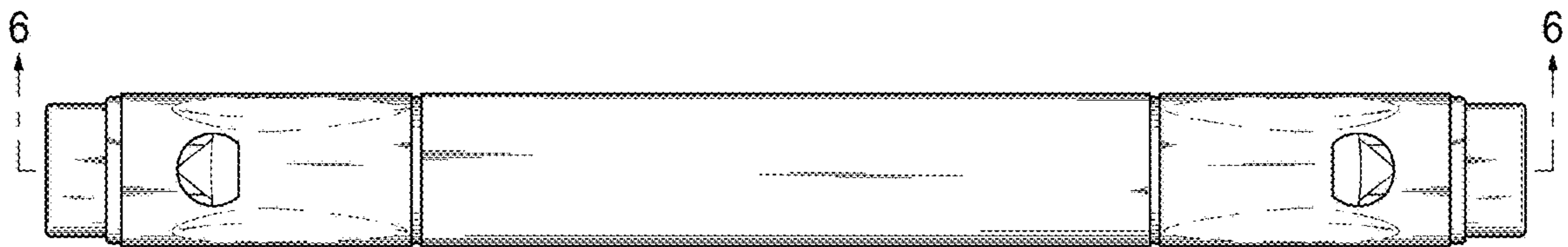
\* cited by examiner



**FIG. 1**



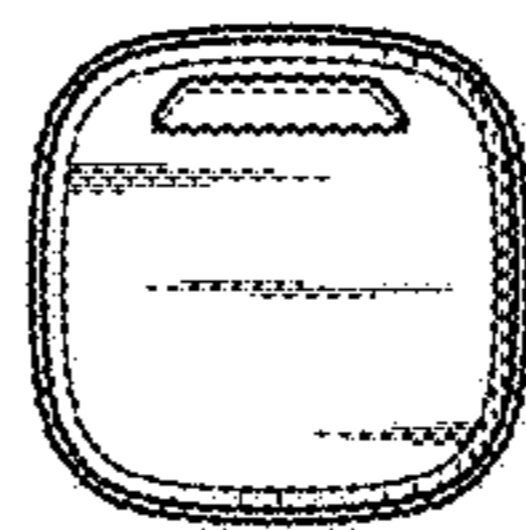
**FIG. 2**



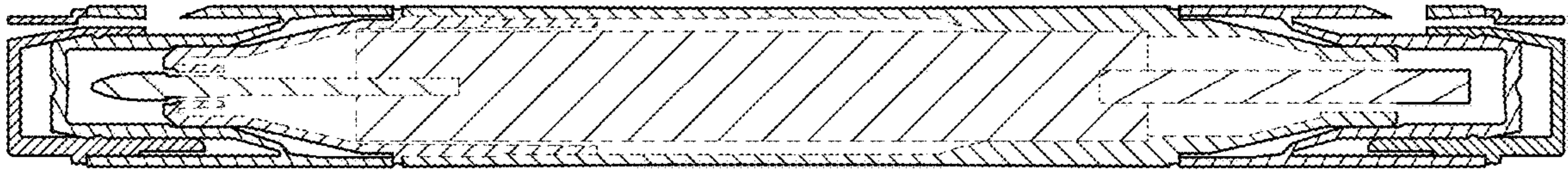
**FIG. 3**



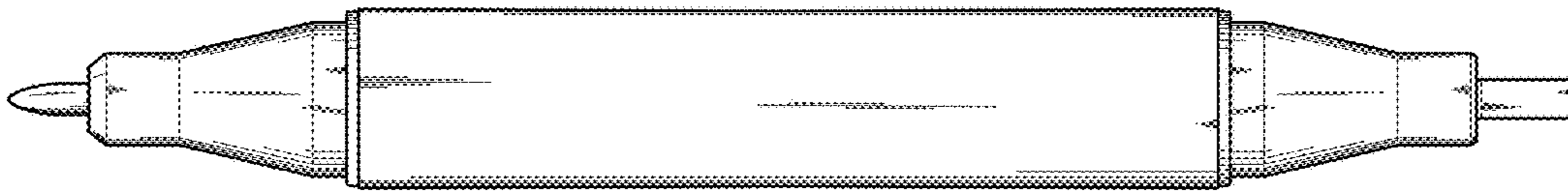
**FIG. 4**



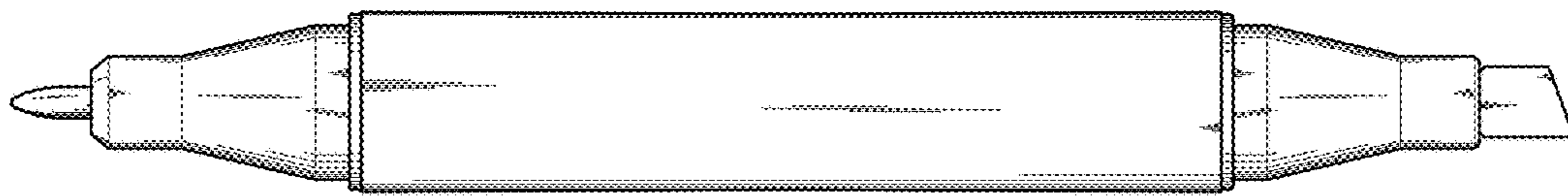
**FIG. 5**



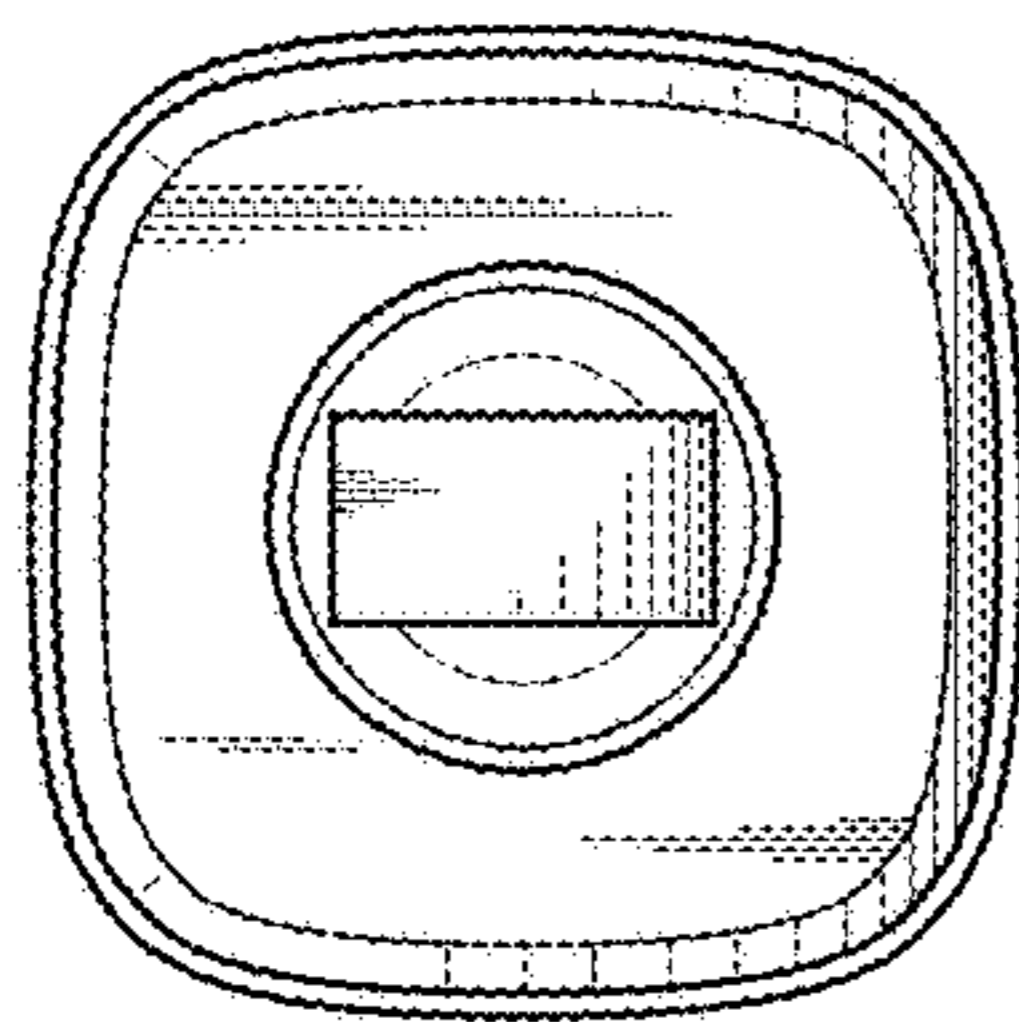
**FIG. 6**



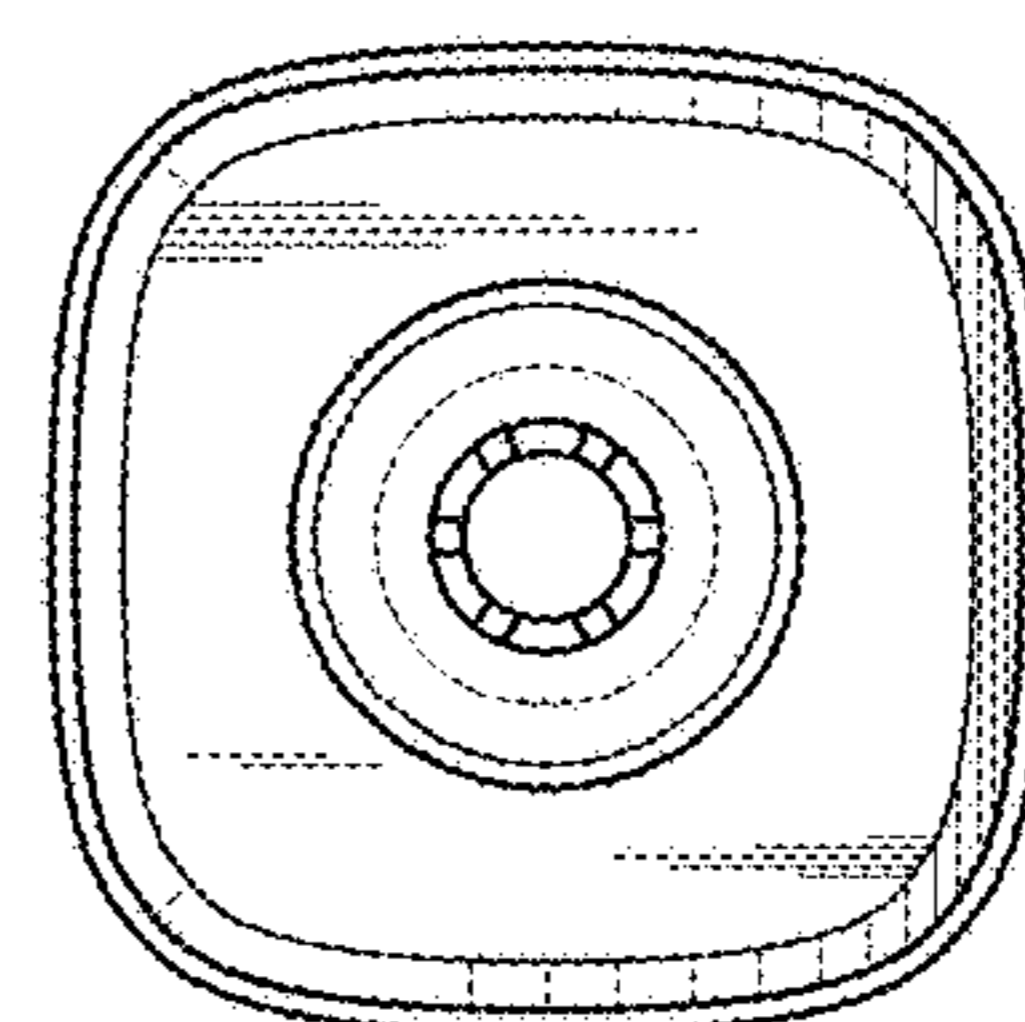
**FIG. 7**



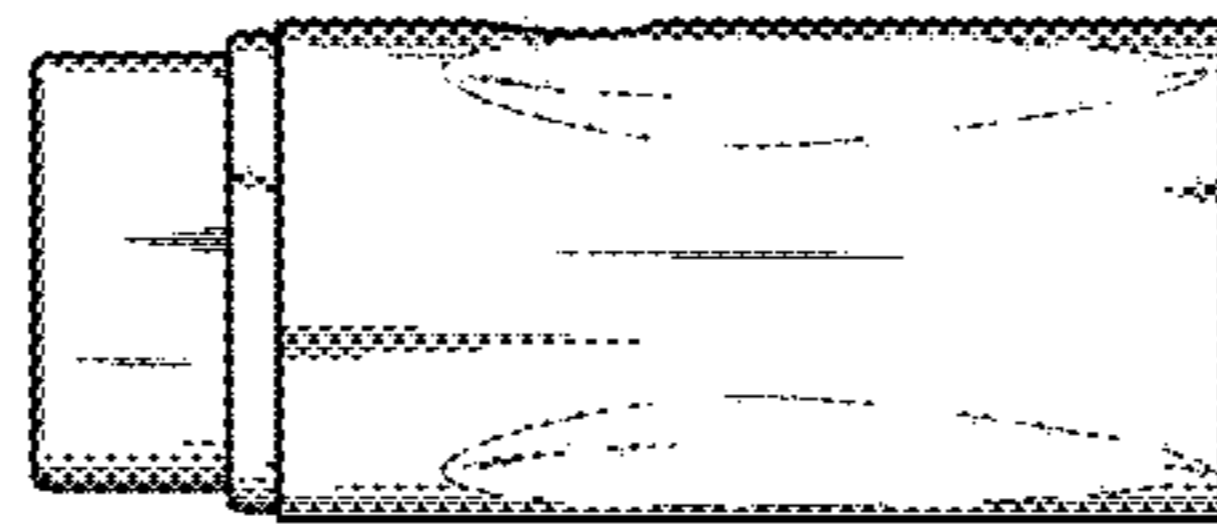
**FIG. 8**



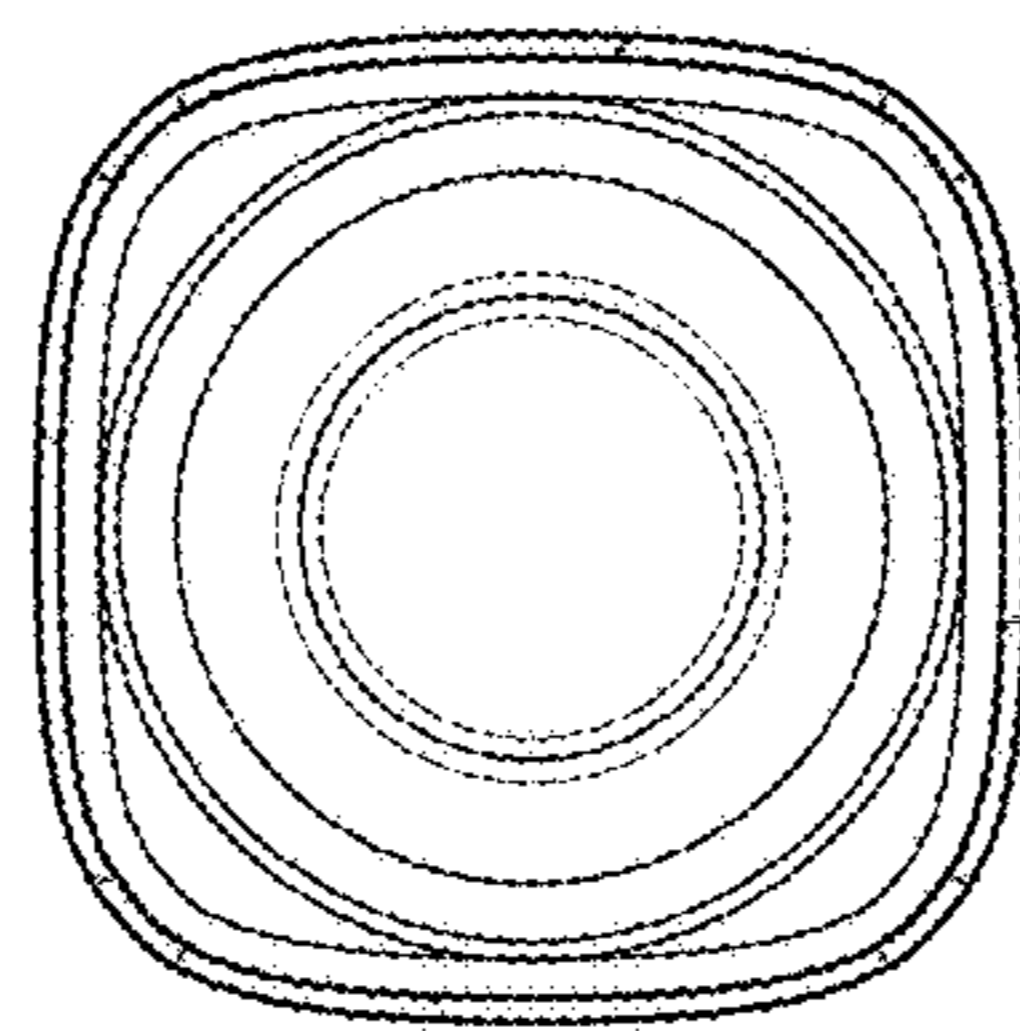
**FIG. 9**



**FIG. 10**



**FIG. 11**



**FIG. 12**