



US00D837296S

(12) **United States Design Patent**
Martin et al.

(10) **Patent No.:** **US D837,296 S**
(45) **Date of Patent:** **** Jan. 1, 2019**

- (54) **MARKER BOARD STAND**
- (71) Applicant: **3FORM, LLC**, Salt Lake City, UT (US)
- (72) Inventors: **Guillaume Martin**, Rochetoirin (FR); **Michael Damen**, Rochetoirin (FR)
- (73) Assignee: **3FORM, LLC**, Salt Lake City, UT (US)
- (**) Term: **15 Years**
- (21) Appl. No.: **29/607,093**
- (22) Filed: **Jun. 9, 2017**
- (51) **LOC (11) Cl.** **19-06**
- (52) **U.S. Cl.**
USPC **D19/114**
- (58) **Field of Classification Search**
USPC D19/113, 114; D20/10, 19, 40, 41, 42;
D6/300–302, 308, 310–312
CPC G09F 7/002; G09F 7/22; G09F 15/0056;
G09F 15/0062; G09F 15/0068
See application file for complete search history.

(56) **References Cited**

U.S. PATENT DOCUMENTS

- 1,756,389 A * 4/1930 Schneider G09F 1/12
211/182
- 1,887,894 A * 11/1932 Schwab G09F 15/0056
248/440.1
- 2,950,015 A * 8/1960 Pataky A47B 43/04
211/182
- D271,454 S * 11/1983 Forte D6/312
- RE32,359 E * 2/1987 Seely G09F 7/22
40/538
- 4,783,921 A * 11/1988 George G09F 7/002
40/602
- 4,866,866 A * 9/1989 Rotter G09F 7/18
40/603

- 5,028,031 A * 7/1991 Stoudt G09F 15/0018
248/188.6
- 5,079,861 A * 1/1992 Stoudt G09F 15/0062
248/166
- 5,095,642 A * 3/1992 George G09F 15/0062
40/610
- 5,442,871 A * 8/1995 Sarkisian G09F 7/22
40/606.17
- D367,767 S * 3/1996 Rhodes D6/310
- 5,694,881 A * 12/1997 Creech G09F 15/0056
116/222
- 5,964,052 A * 10/1999 Jepsen G09F 15/0062
40/607.1
- 5,971,343 A * 10/1999 Marlak A47B 23/025
248/441.1
- 8,365,449 B2 * 2/2013 Gimpel G09F 13/04
160/351
- 8,567,102 B2 * 10/2013 Topcuoglu G09F 7/22
40/608

(Continued)

Primary Examiner — Elizabeth A. Albert

(74) *Attorney, Agent, or Firm* — Workman Nydegger

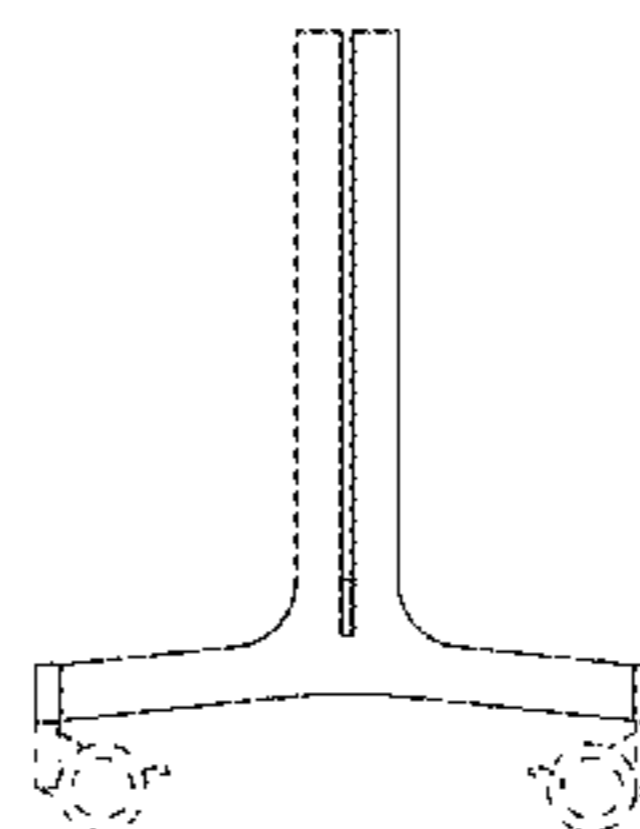
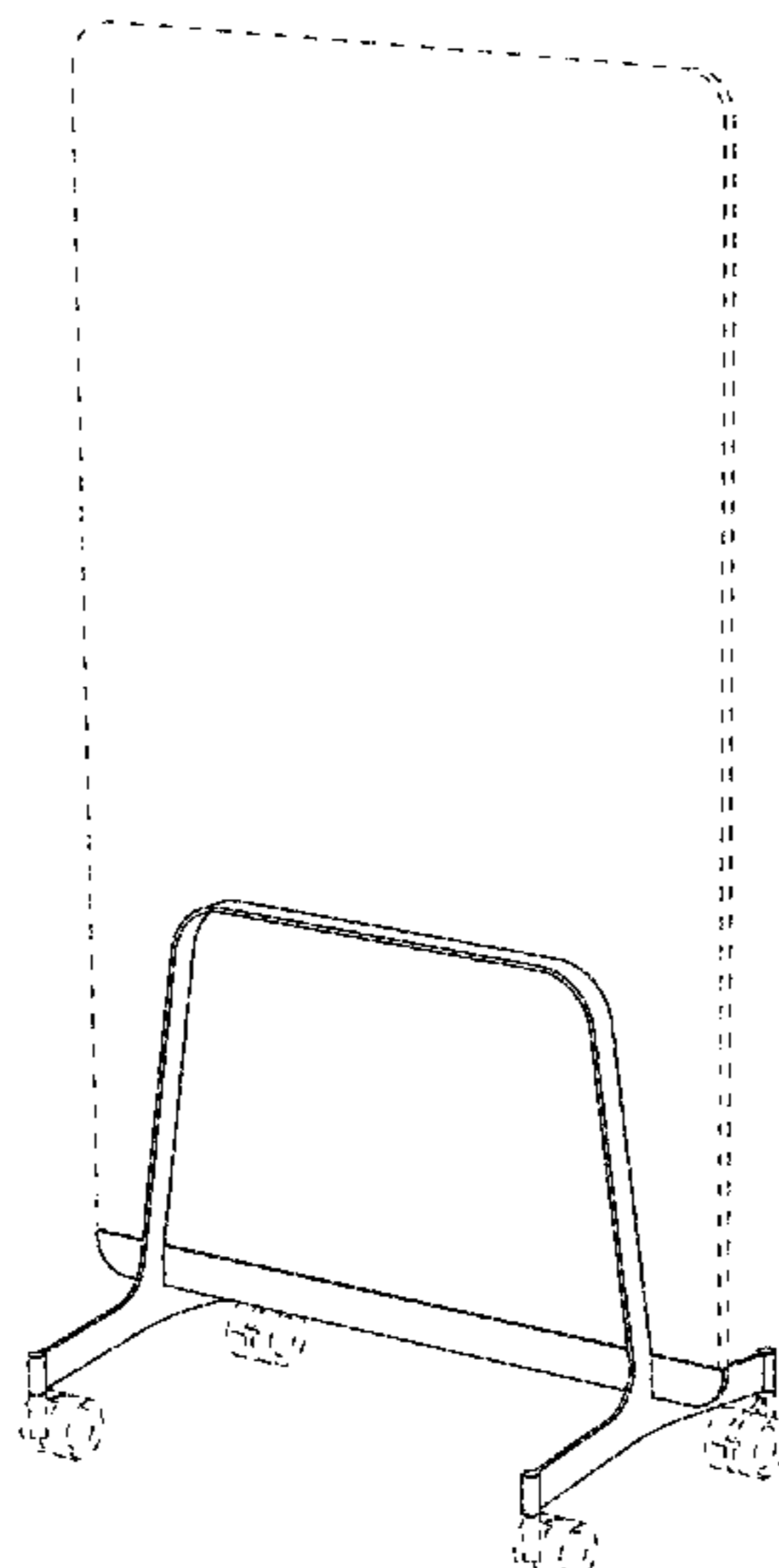
(57) **CLAIM**

The ornamental design for a marker board stand, as shown and described.

DESCRIPTION

FIG. 1 is a front perspective view of a marker board stand showing our new design;
 FIG. 2 is a right side elevational view thereof;
 FIG. 3 is a left side elevational view thereof;
 FIG. 4 is a front elevational view thereof;
 FIG. 5 is a rear elevational view thereof;
 FIG. 6 is a top plan view thereof;
 FIG. 7 is a bottom plan view thereof; and,
 FIG. 8 is an exploded perspective view thereof.
 The broken lines in FIGS. 1 to 8 are included to show portions of the marker board stand that form no part of the claimed design.

1 Claim, 4 Drawing Sheets



(56)

References Cited

U.S. PATENT DOCUMENTS

8,959,813 B2 * 2/2015 Denby A47F 5/10
211/175
D735,833 S * 8/2015 Winstead D22/113
9,175,801 B2 * 11/2015 Adilman G09F 7/22
9,245,462 B2 * 1/2016 Mora Vera G09F 7/002

* cited by examiner

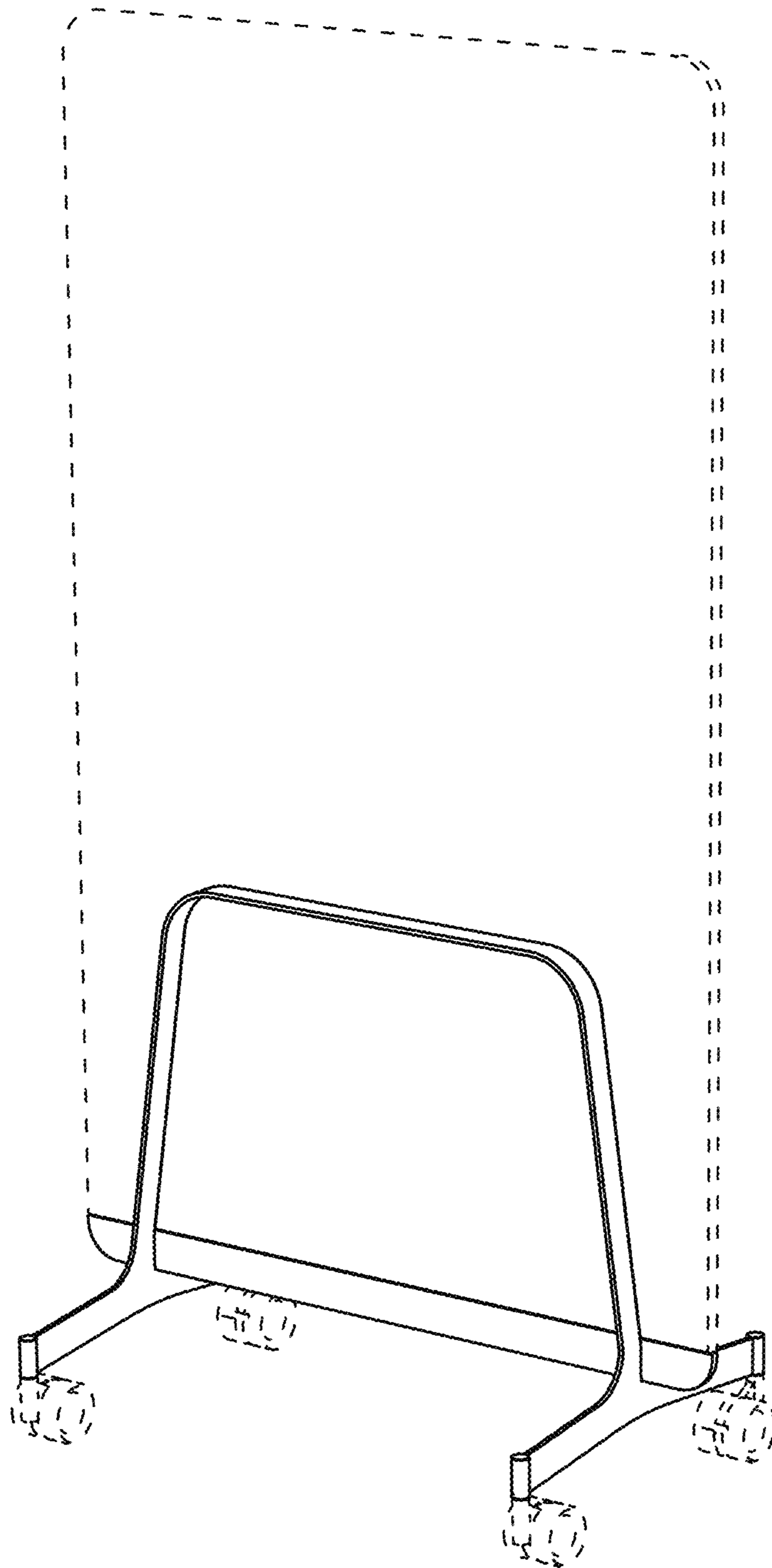


FIG. 1

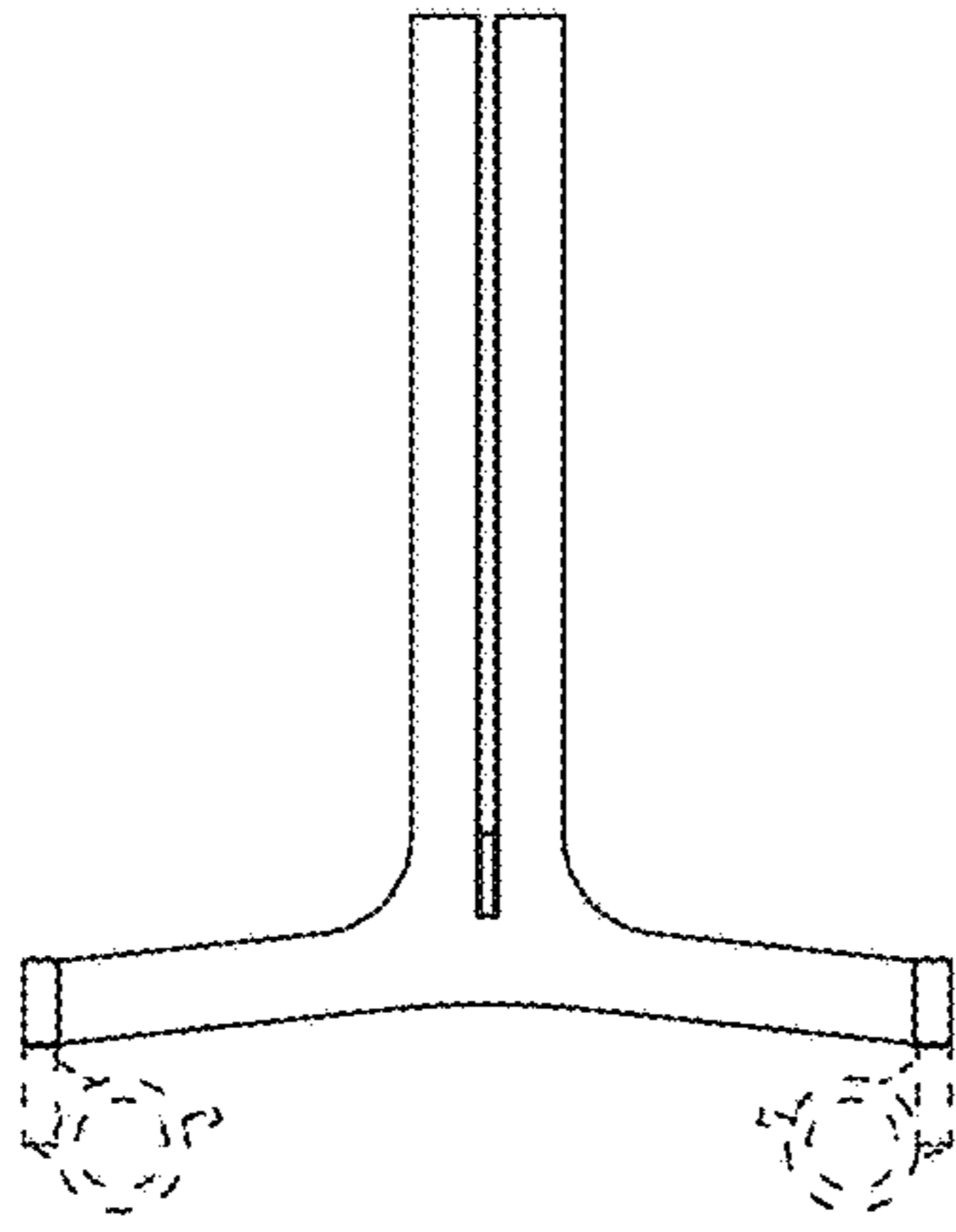


FIG. 2

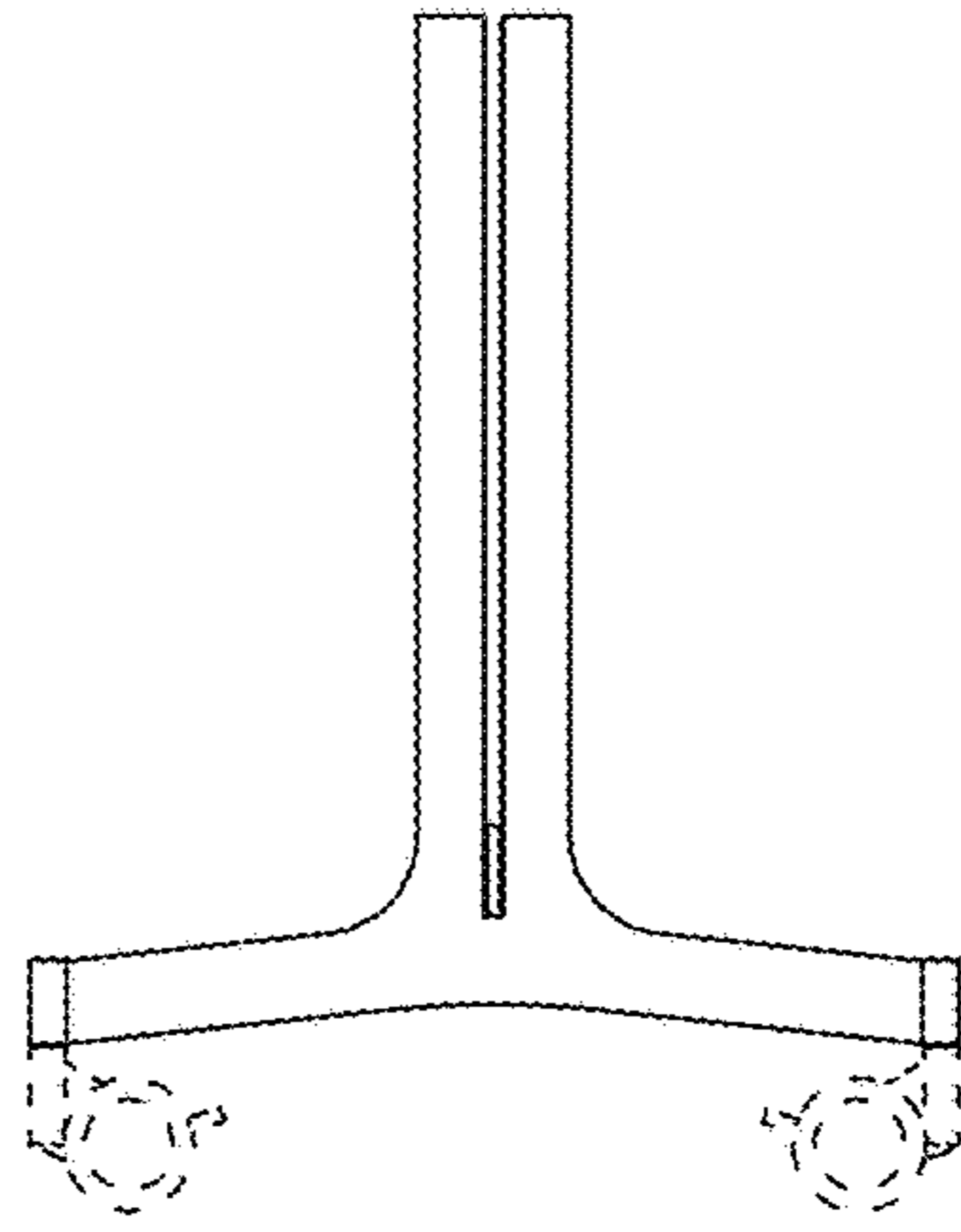


FIG. 3

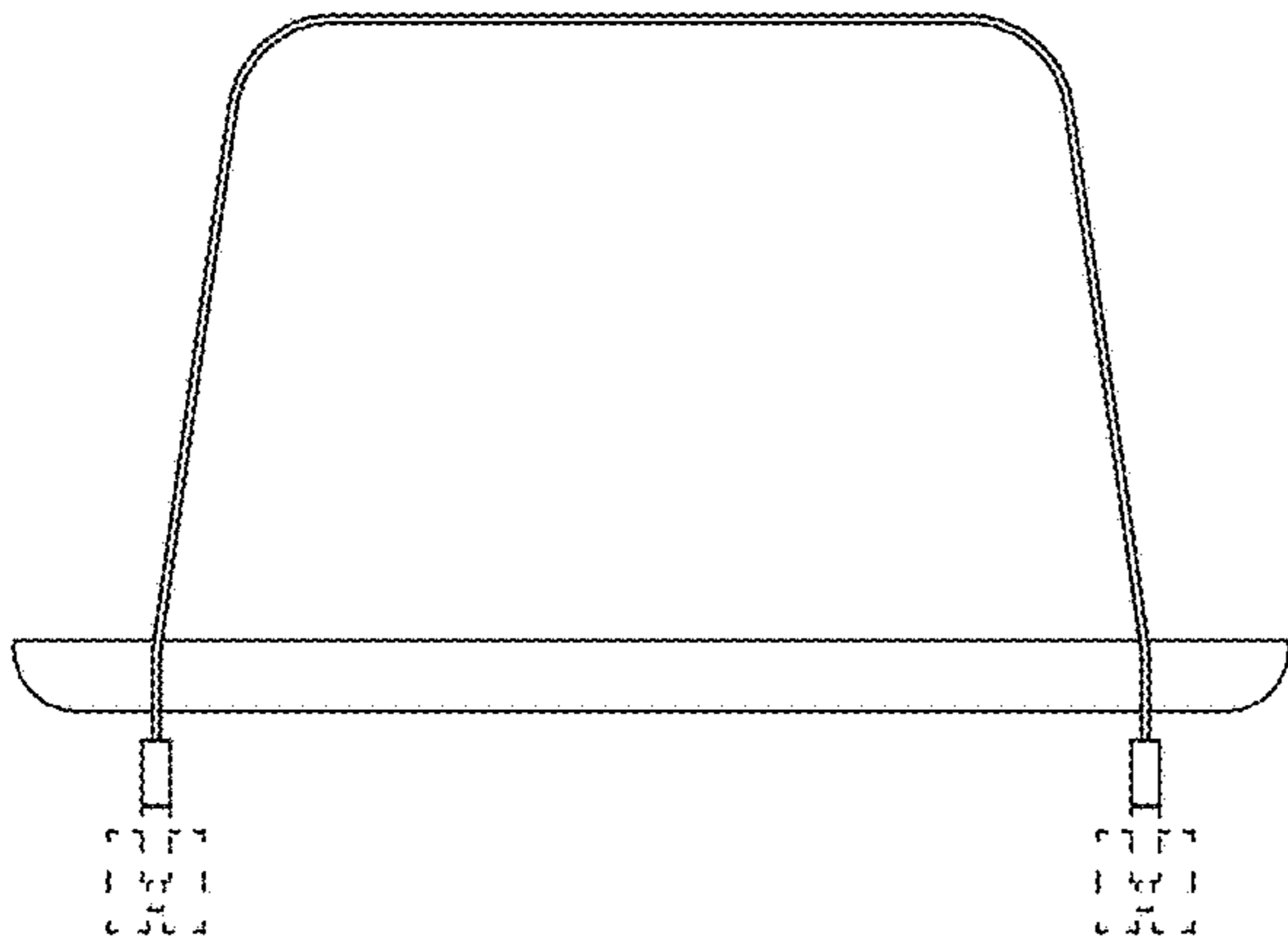


FIG. 4

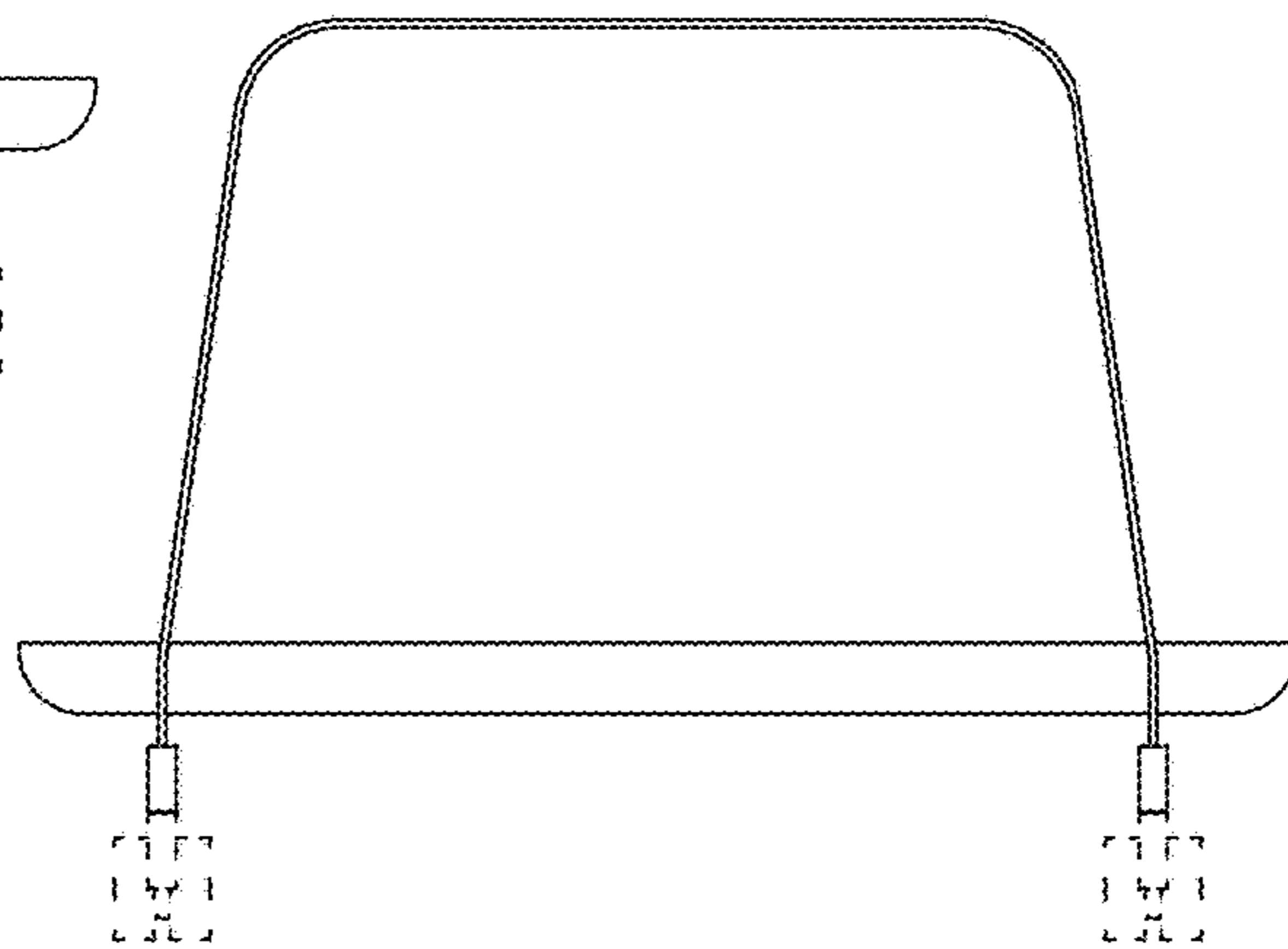


FIG. 5

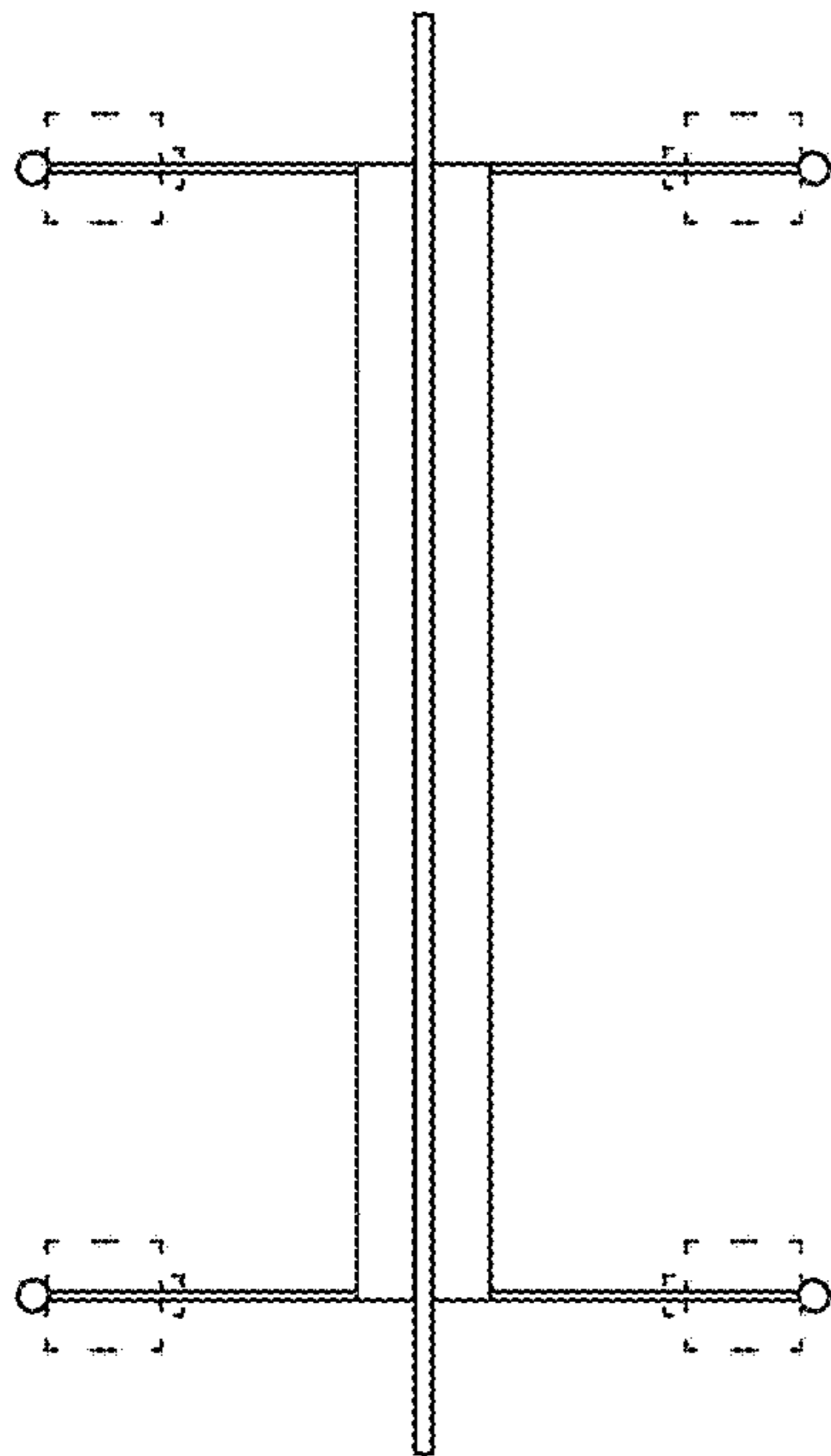


FIG. 6

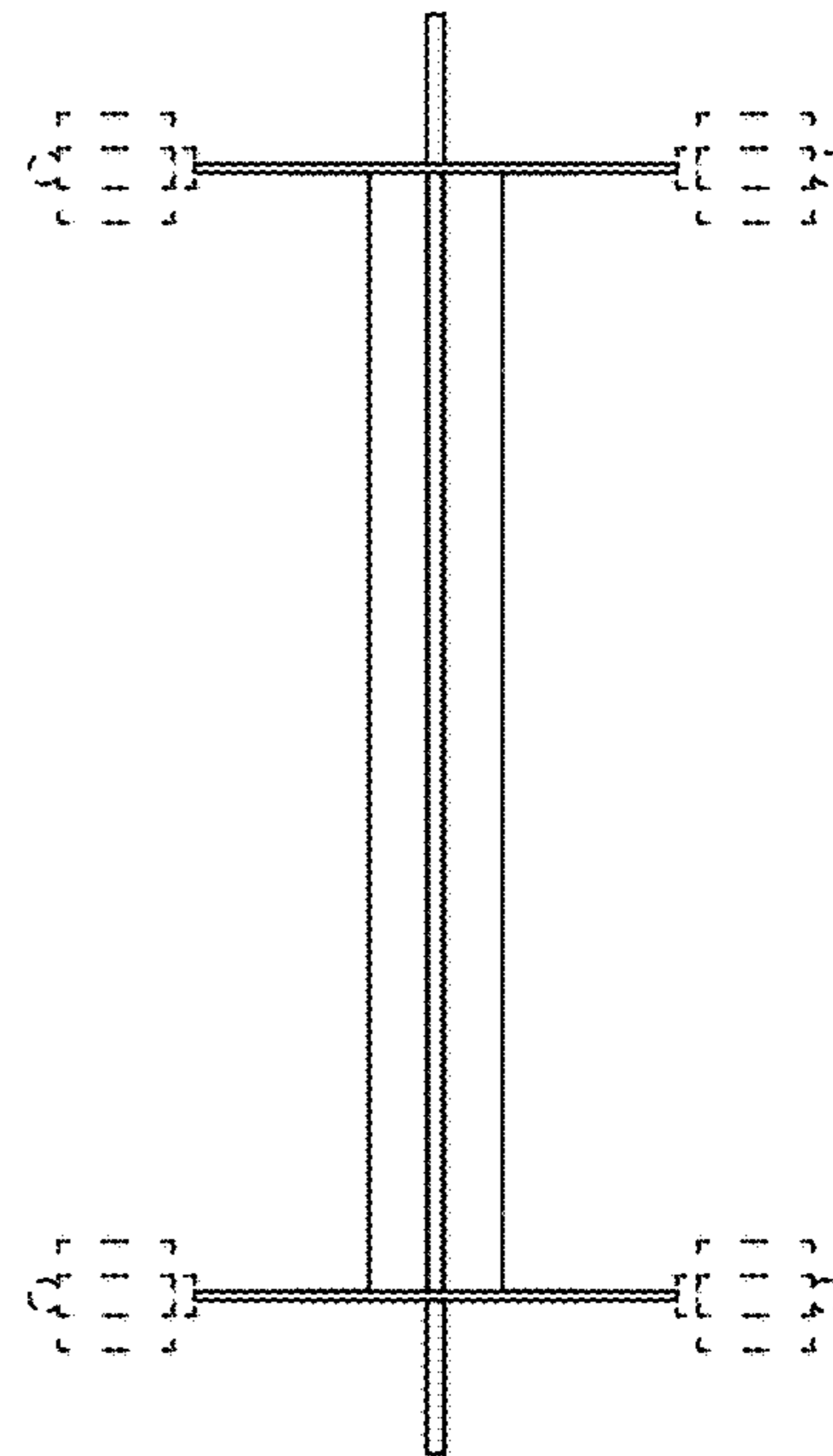


FIG. 7

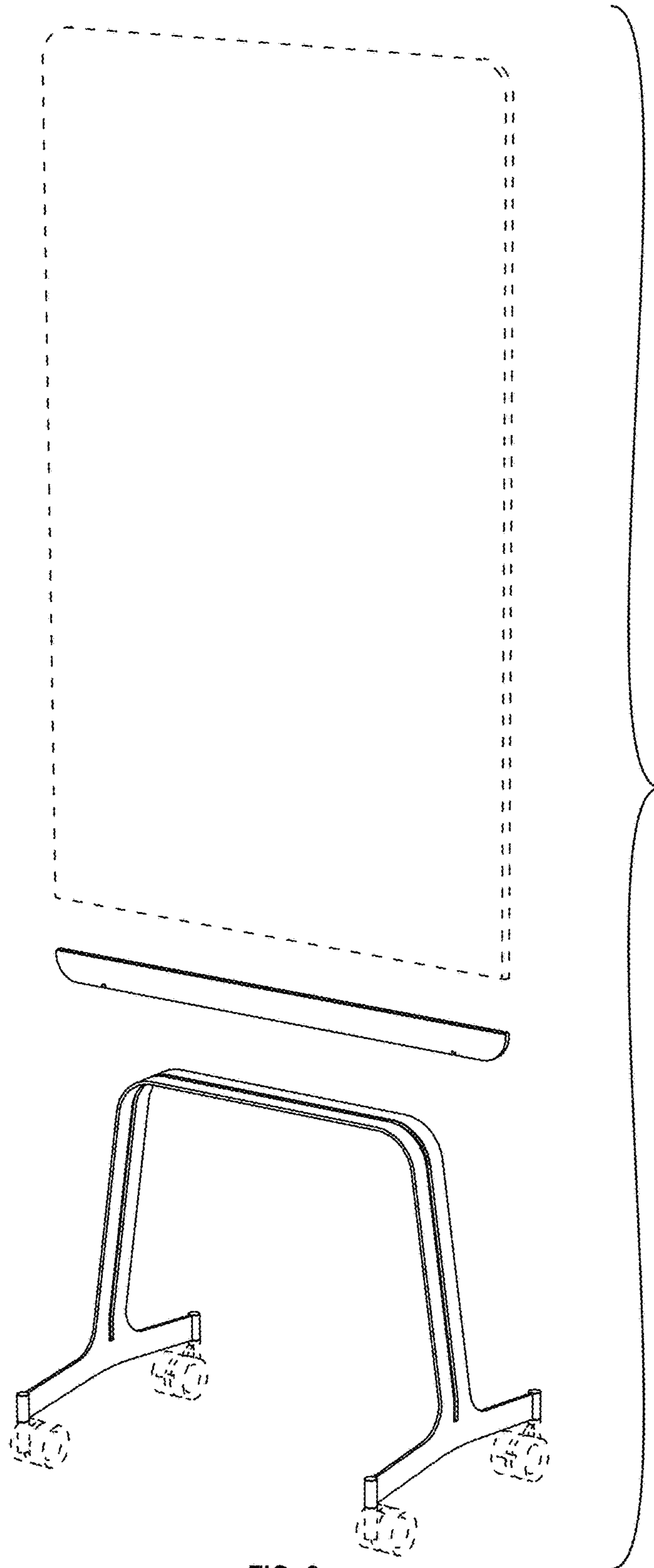


FIG. 8