



(56)

**References Cited**

U.S. PATENT DOCUMENTS

2016/0089794 A1\* 3/2016 Niu ..... B25J 19/0029  
74/490.02  
2018/0182260 A1 6/2018 Ciniello et al.

FOREIGN PATENT DOCUMENTS

WO 99012661 A1 3/1999  
WO 2015183419 A1 12/2015

\* cited by examiner

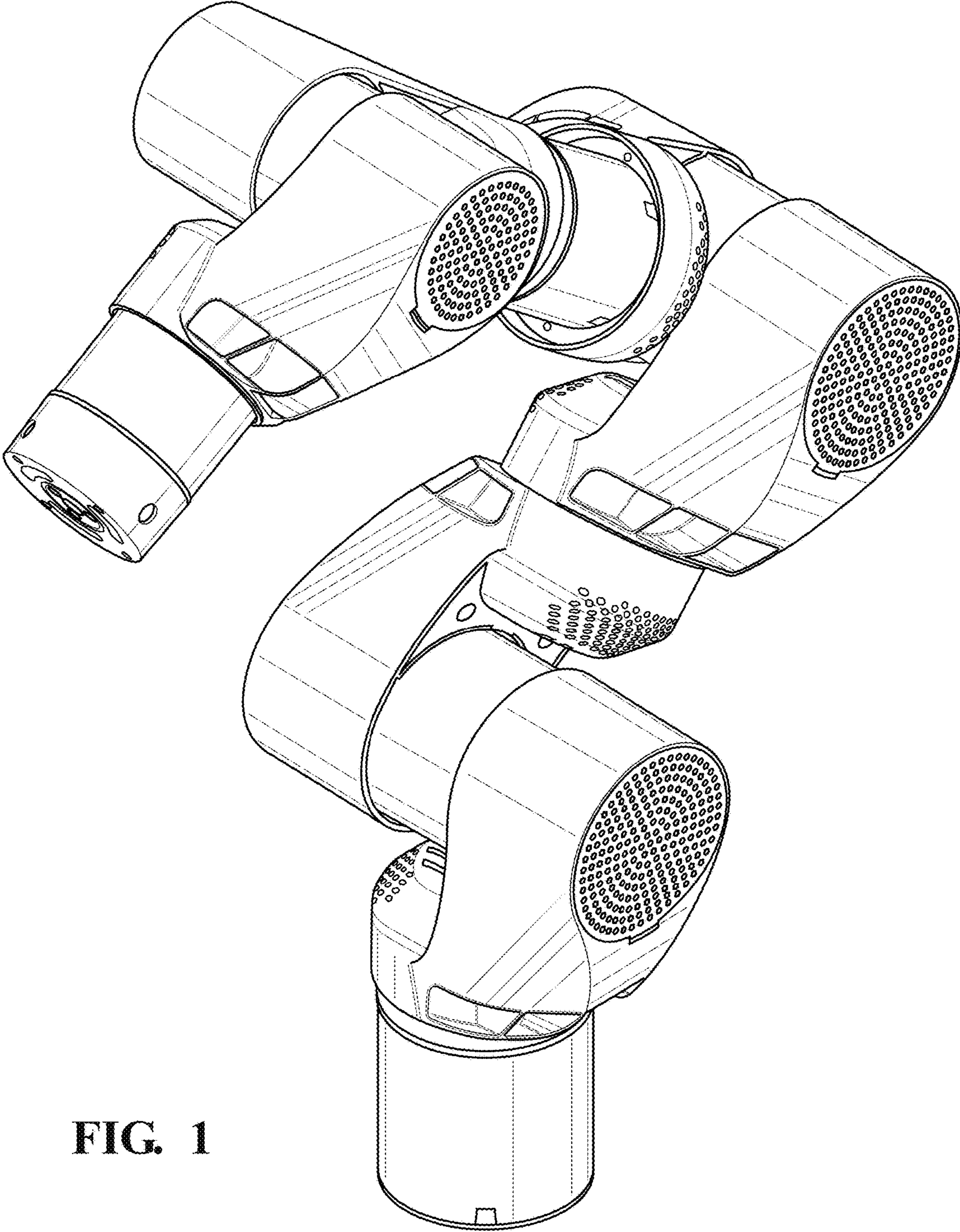


FIG. 1



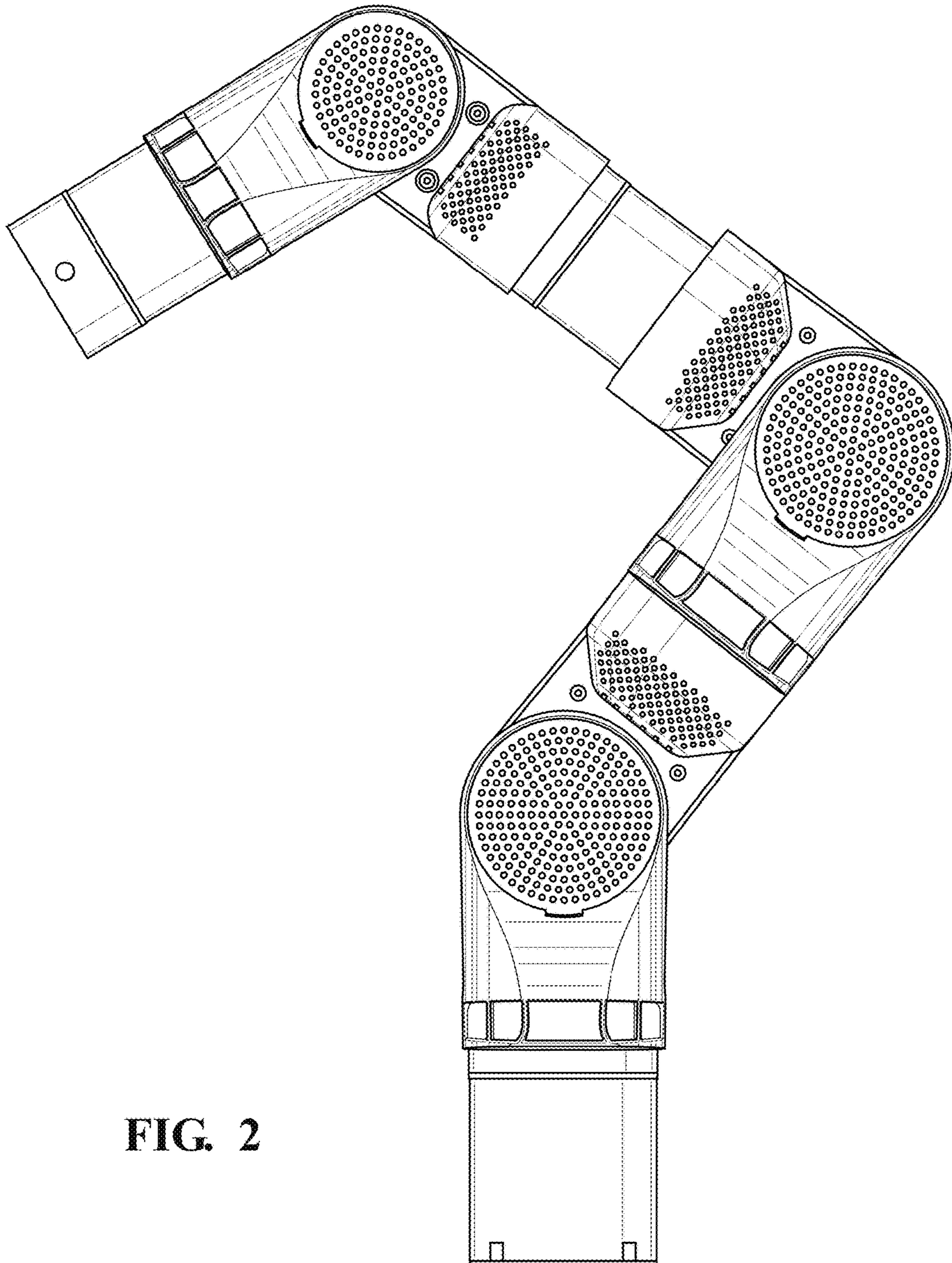


FIG. 2

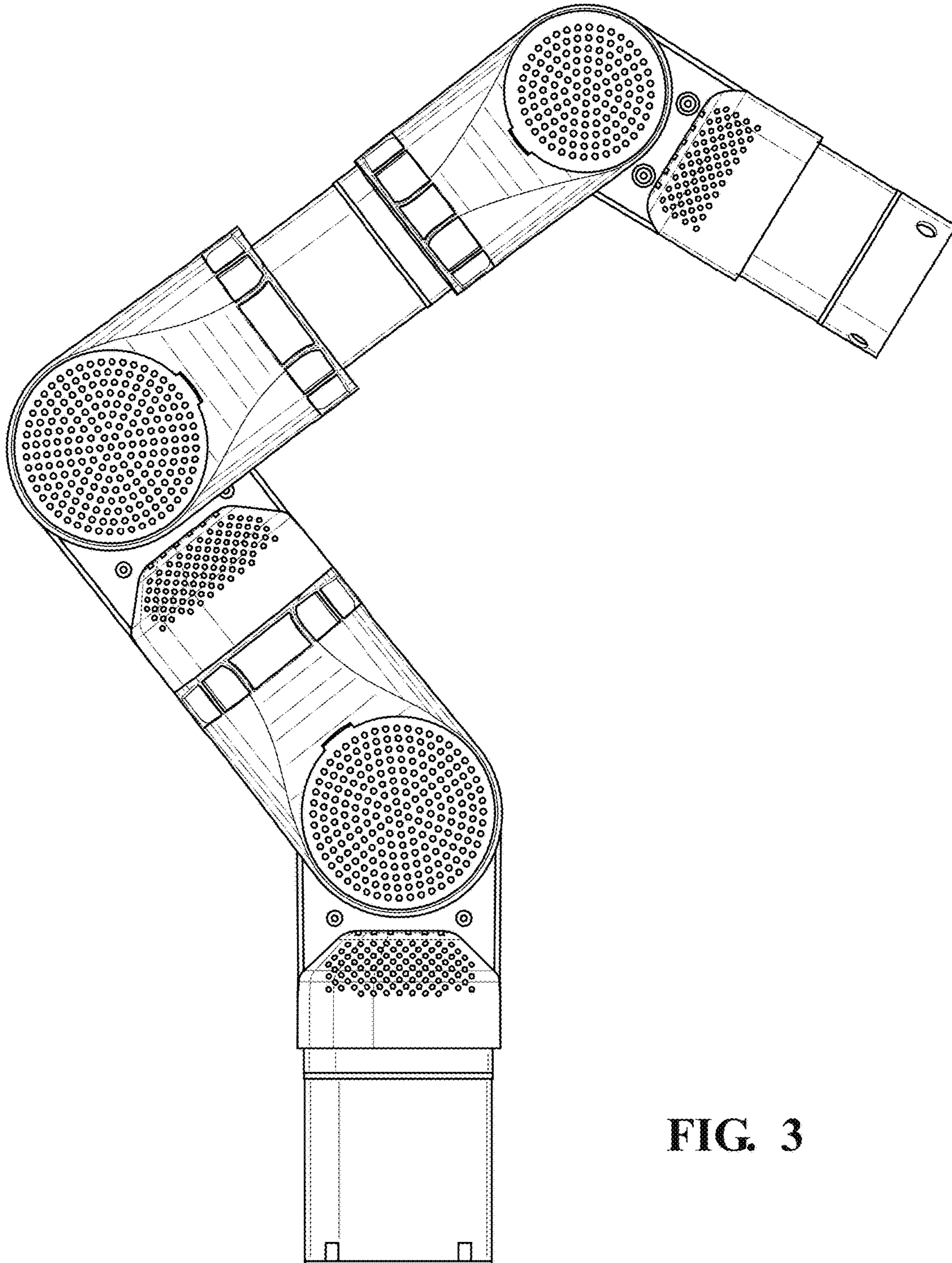


FIG. 3

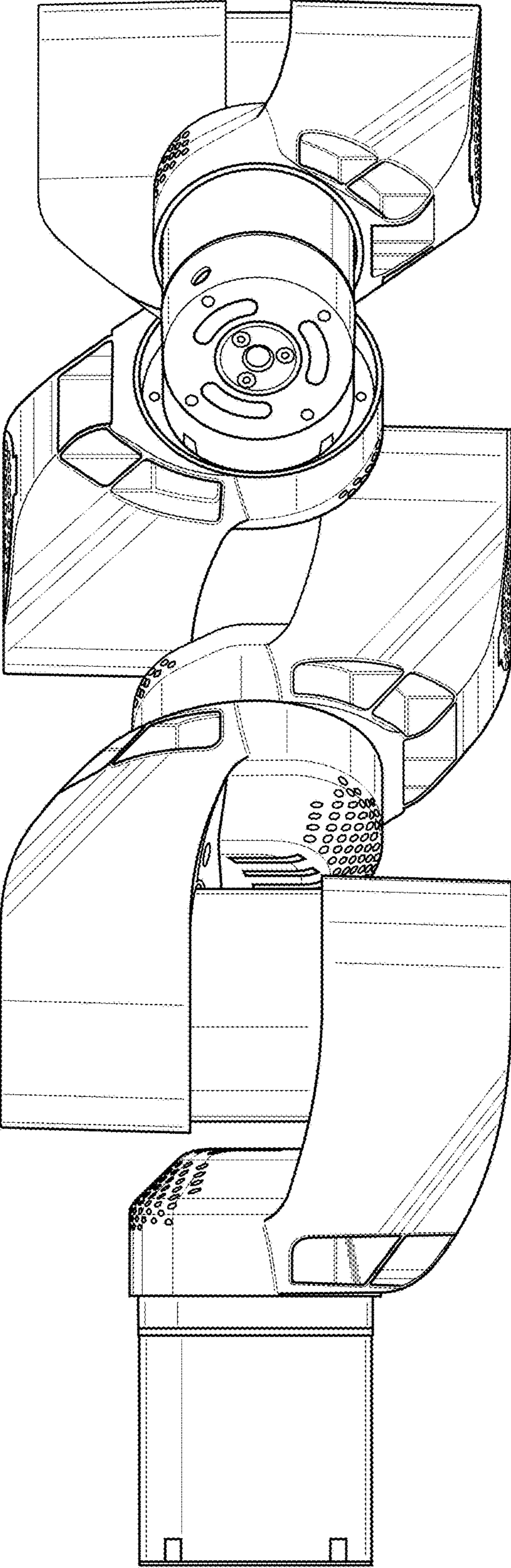


FIG. 4



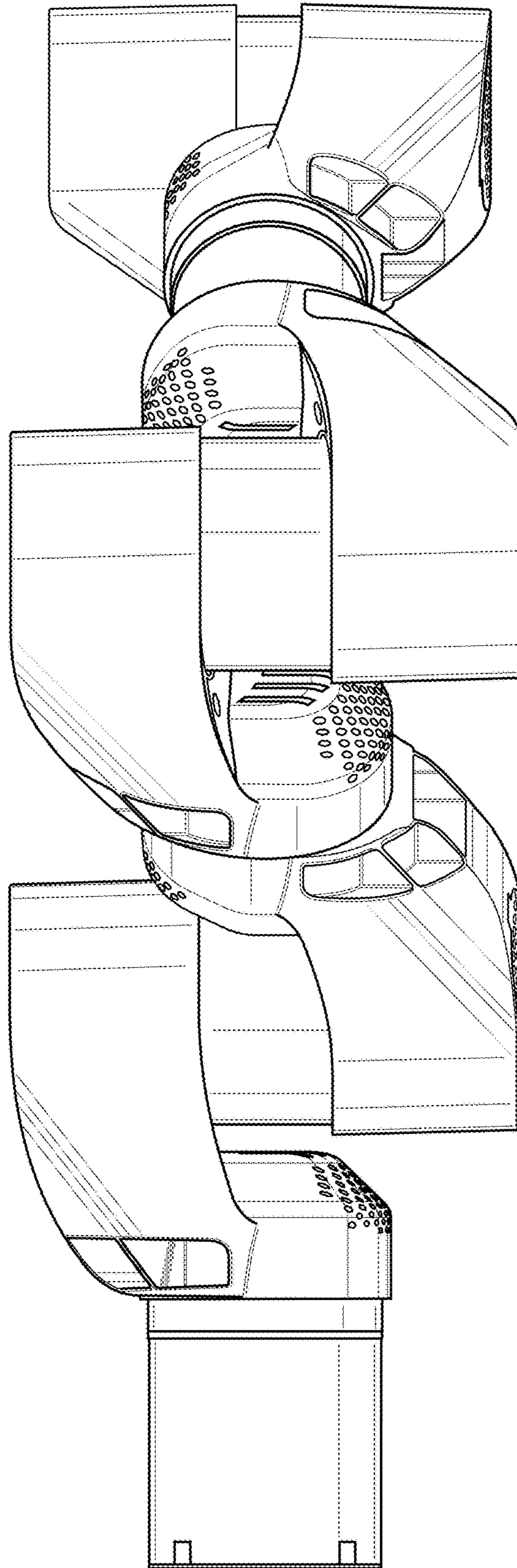


FIG. 5

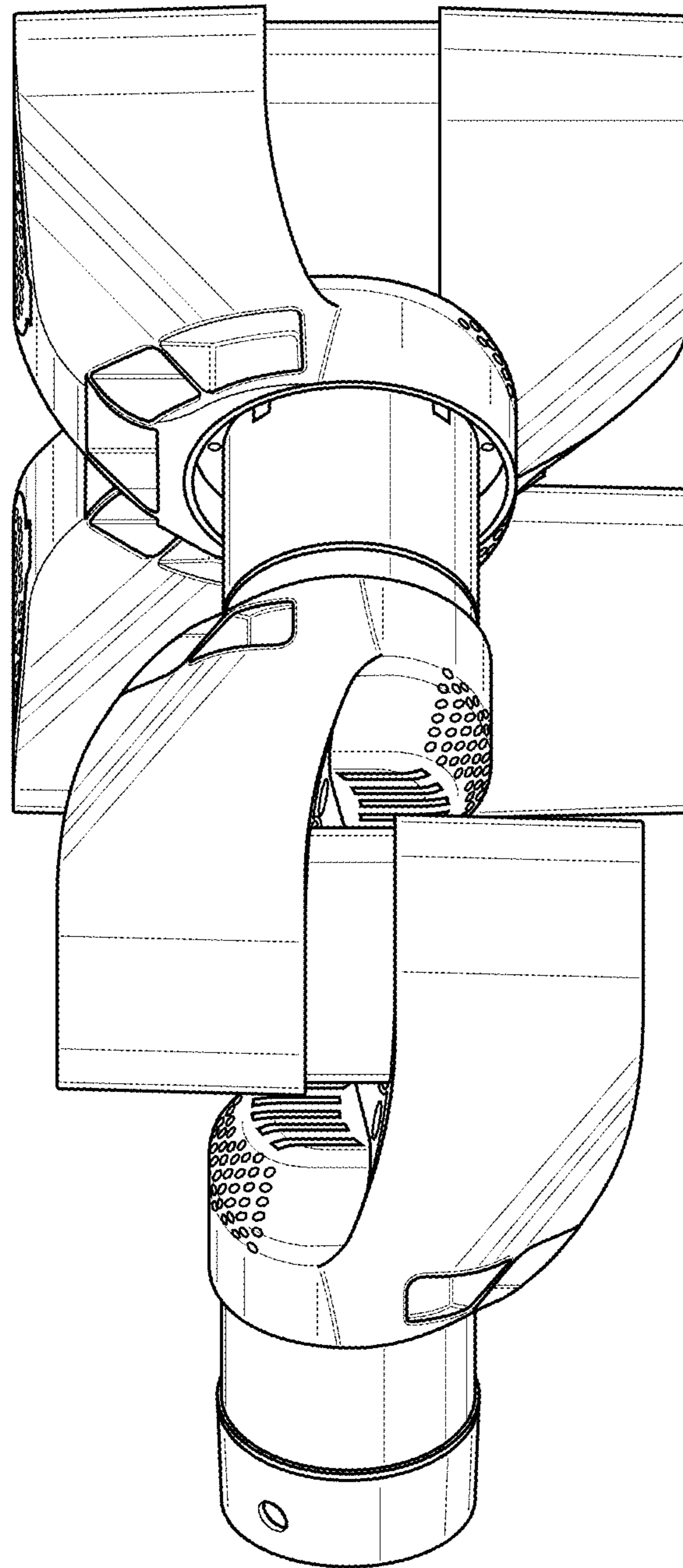


FIG. 6



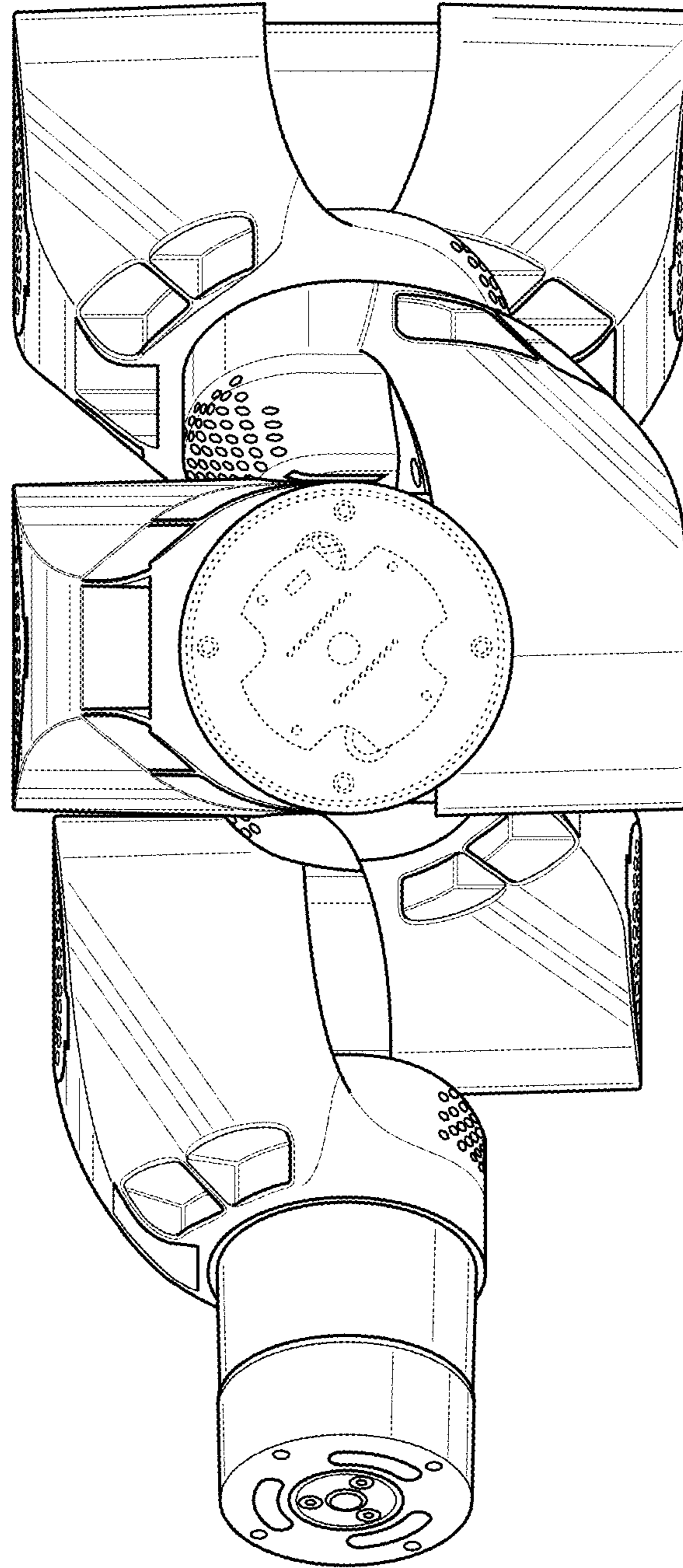


FIG. 7