



US00D837292S

(12) **United States Design Patent** (10) **Patent No.:** **US D837,292 S**  
**Li et al.** (45) **Date of Patent:** **\*\* Jan. 1, 2019**

(54) **MULTI-FUNCTION PRINTER**  
(71) Applicant: **Zhuhai Seine Technology CO., Ltd.**,  
Zhuhai (CN)  
(72) Inventors: **Yang Li**, Zhuhai (CN); **Chao Wang**,  
Zhuhai (CN); **Tao Liu**, Zhuhai (CN);  
**Yuechao Ge**, Zhuhai (CN)  
(73) Assignee: **ZHUHAI SEINE TECHNOLOGY**  
**CO., LTD.**, Zhuhai (CN)

D815,197 S \* 4/2018 Kim ..... D18/50  
D821,490 S \* 6/2018 Mita ..... D18/55  
D822,103 S \* 7/2018 Mita ..... D18/55  
D822,760 S \* 7/2018 Xia ..... D18/50  
2013/0162132 A1\* 6/2013 Koiwai ..... G03G 21/1633  
312/319.2  
2016/0289019 A1\* 10/2016 Kuroki ..... B65D 25/205  
2018/0101114 A1\* 4/2018 Takeuchi ..... G03G 21/1633

(\*\*) Term: **15 Years**

\* cited by examiner

*Primary Examiner* — Robin V Webster  
*Assistant Examiner* — J. Thorn, Sr.

(21) Appl. No.: **29/586,744**

(74) *Attorney, Agent, or Firm* — Anova Law Group,  
PLLC

(22) Filed: **Dec. 6, 2016**

(57) **CLAIM**

(30) **Foreign Application Priority Data**

The ornamental design for a multi-function printer, as shown  
and described.

Jul. 1, 2016 (CN) ..... 2016 3 0298452

**DESCRIPTION**

(51) **LOC (11) Cl.** ..... **14-02**

(52) **U.S. Cl.**  
USPC ..... **D18/50; D18/55**

(58) **Field of Classification Search**  
USPC ..... D18/36-37, 50, 55, 53, 54.1, 39, 54;  
D14/421  
CPC ... B41J 11/00; B41J 11/58; B41J 15/00; B41J  
15/12; B41J 15/42; G03G 21/1633; G06K  
15/12  
See application file for complete search history.

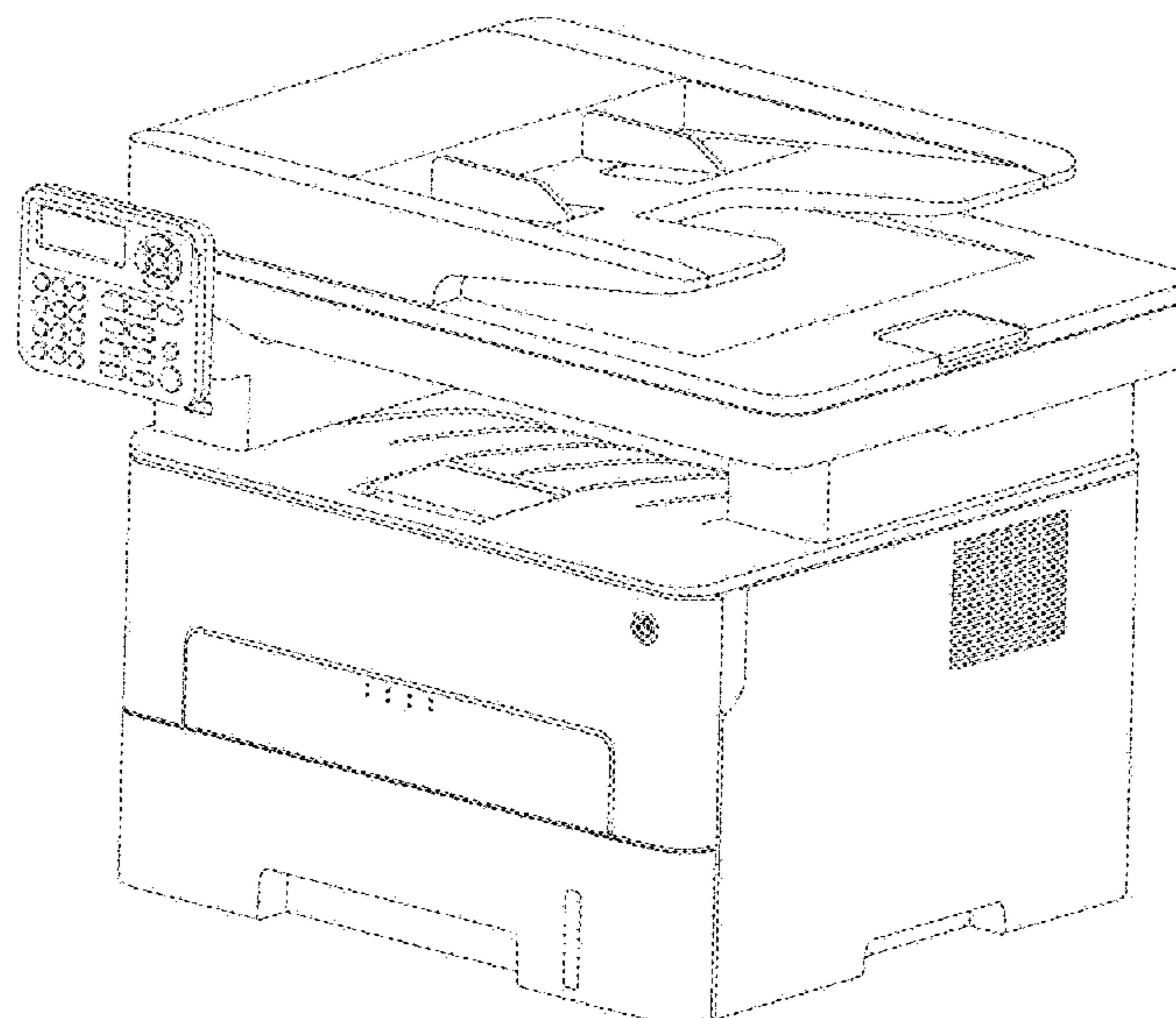
FIG. 1 is a perspective view of a multi-function printer  
showing my new design;  
FIG. 2 is a front view thereof;  
FIG. 3 is a top view thereof;  
FIG. 4 is a left view thereof;  
FIG. 5 is a right view thereof;  
FIG. 6 is a rear view thereof; and,  
FIG. 7 is another perspective view of FIG. 1, shown in an  
alternative configuration.  
The broken lines in the figures show portions of the printer  
that depict environmental subject matter and/or an  
unclaimed boundary line, forming no part of the claimed  
design.

(56) **References Cited**

**U.S. PATENT DOCUMENTS**

D800,122 S \* 10/2017 Tashima ..... D14/421  
D811,474 S \* 2/2018 Kim ..... D18/55

**1 Claim, 7 Drawing Sheets**



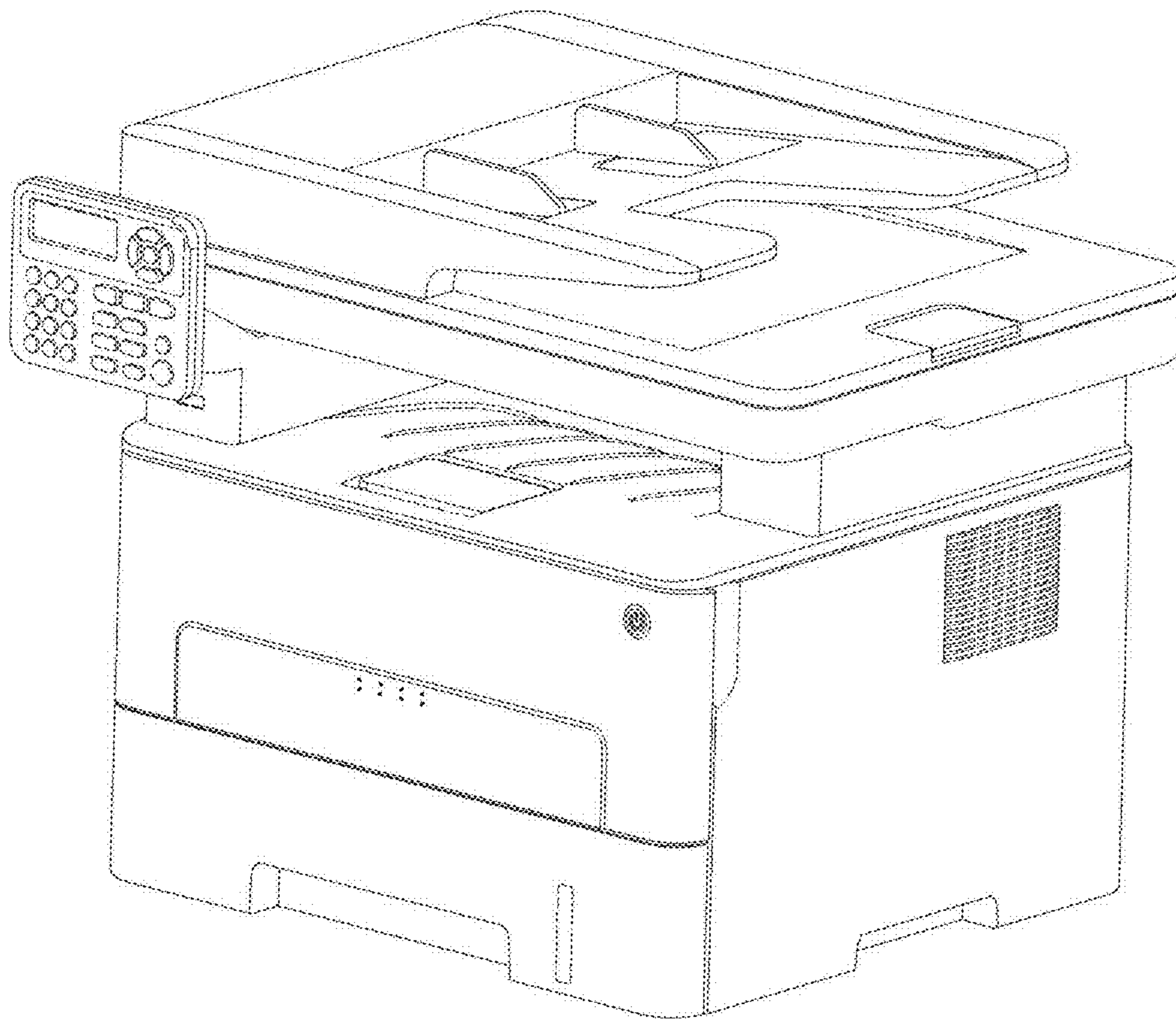


FIG. 1

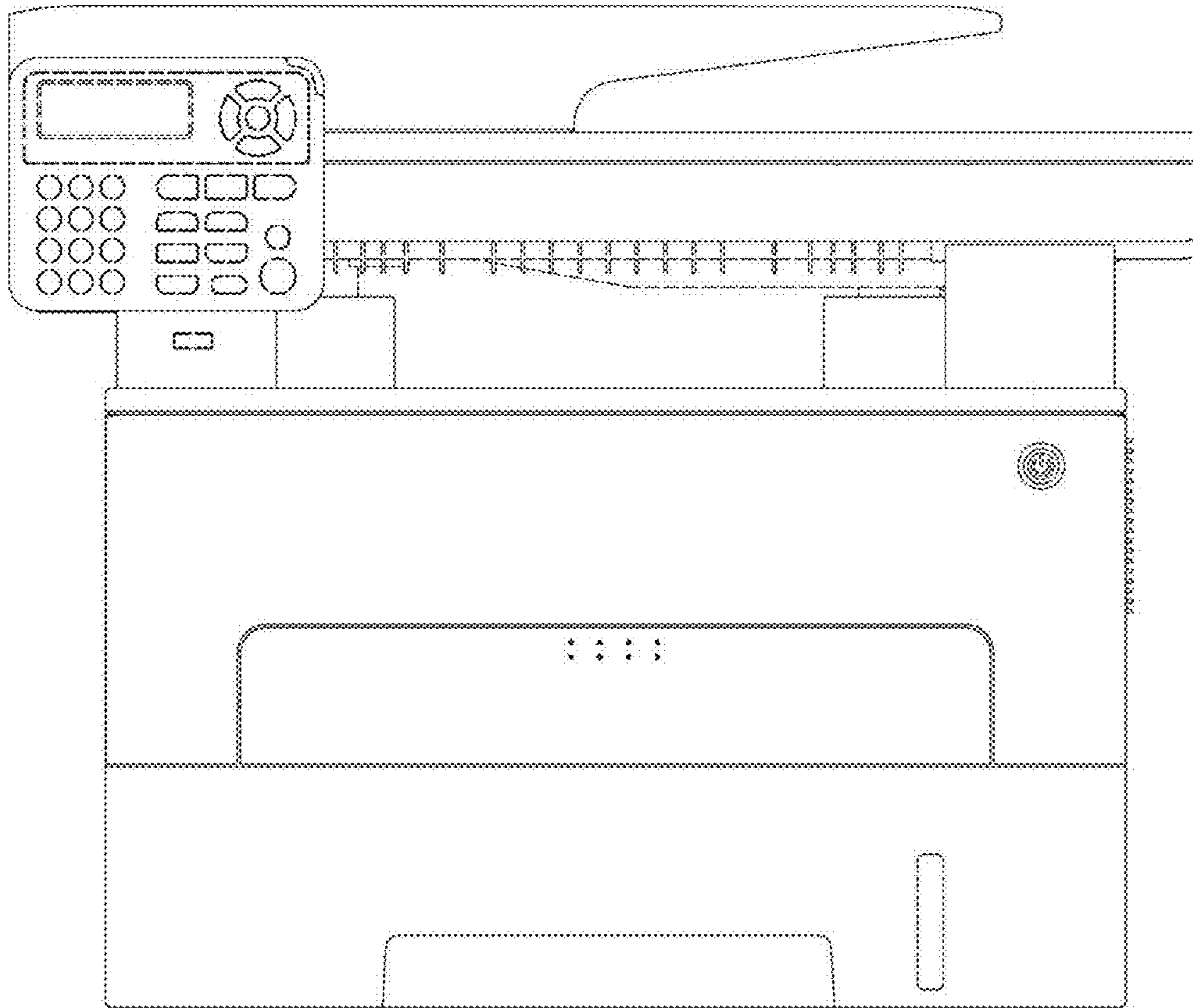


FIG. 2

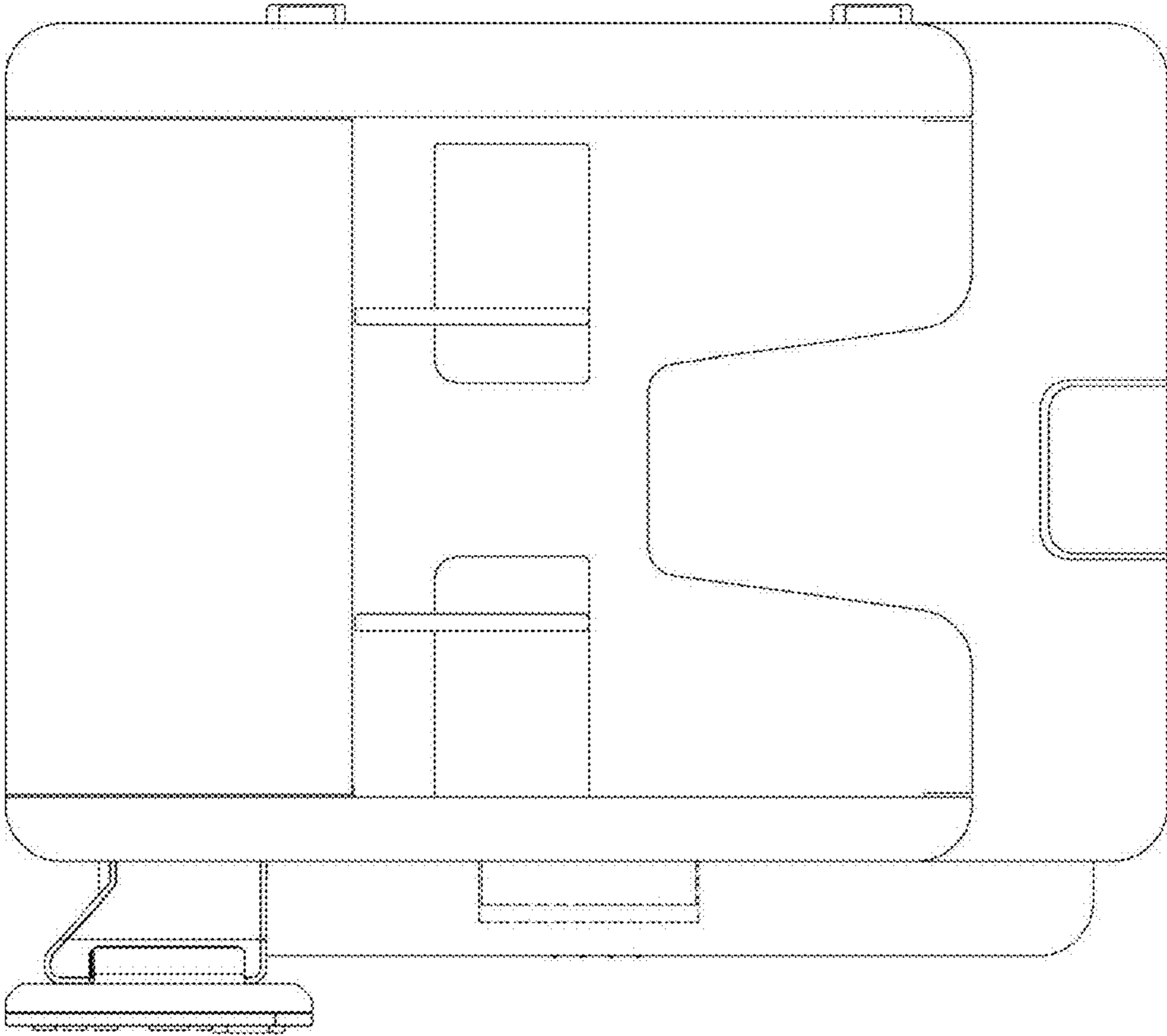


FIG. 3

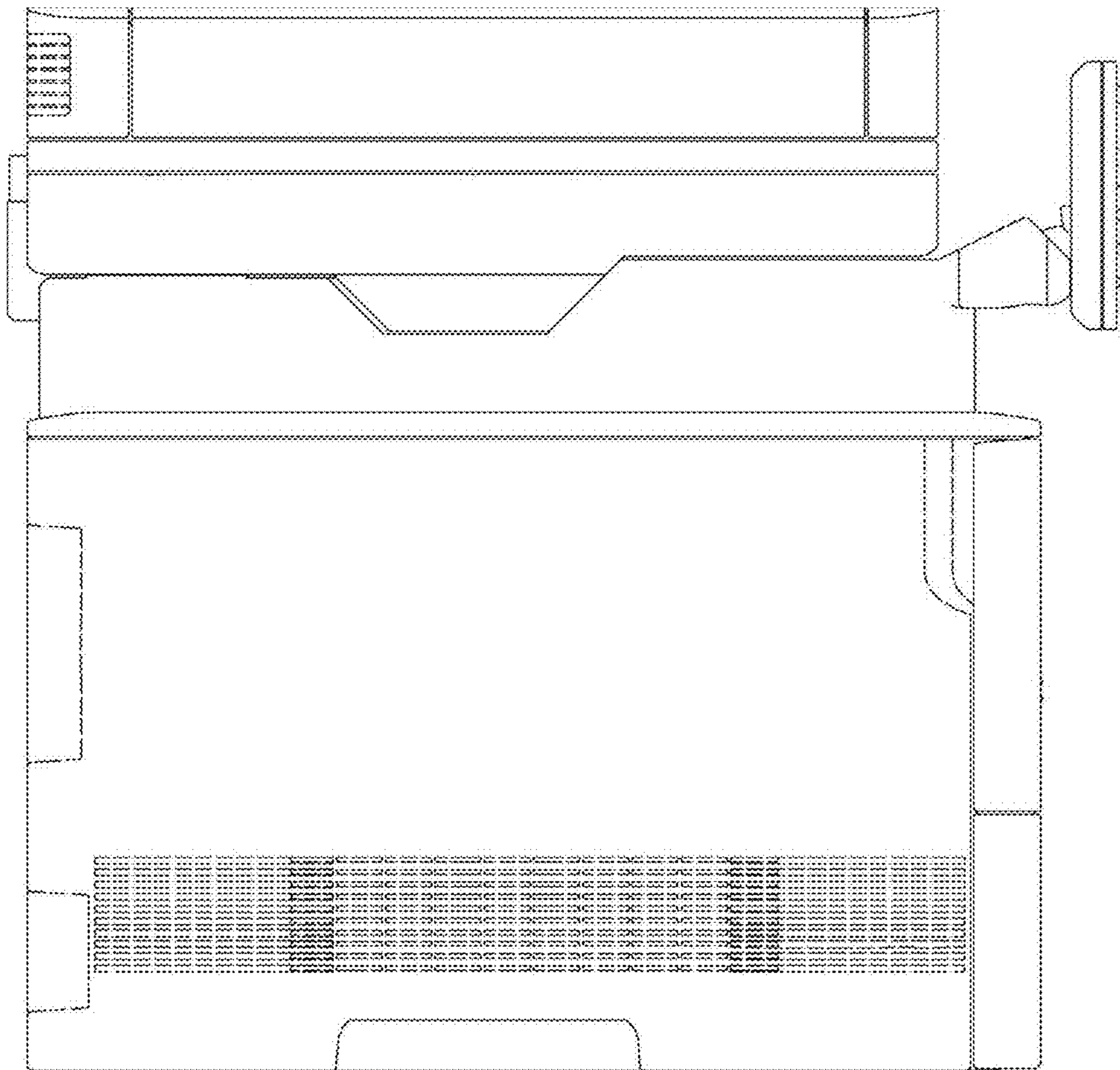


FIG. 4

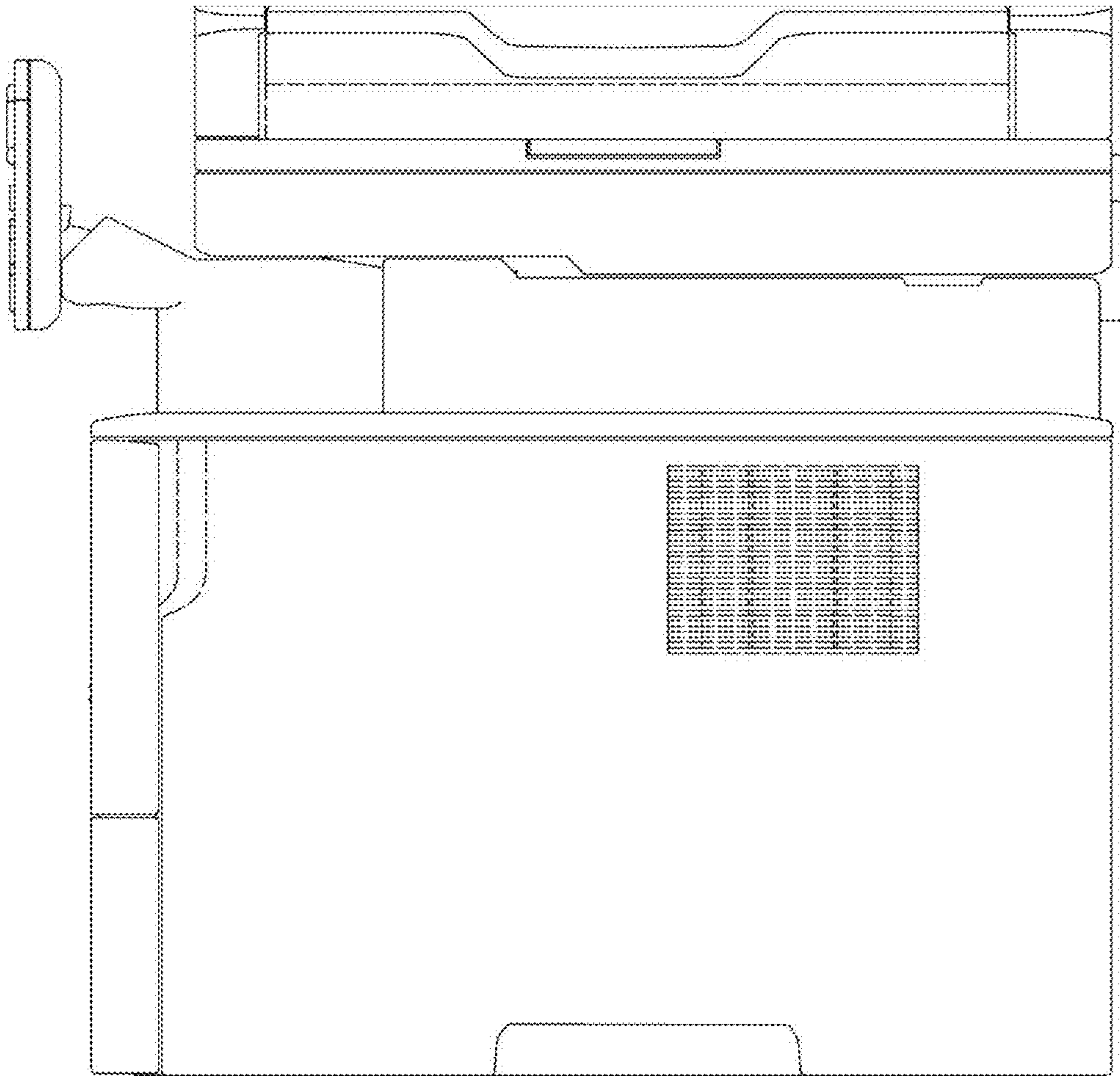


FIG. 5

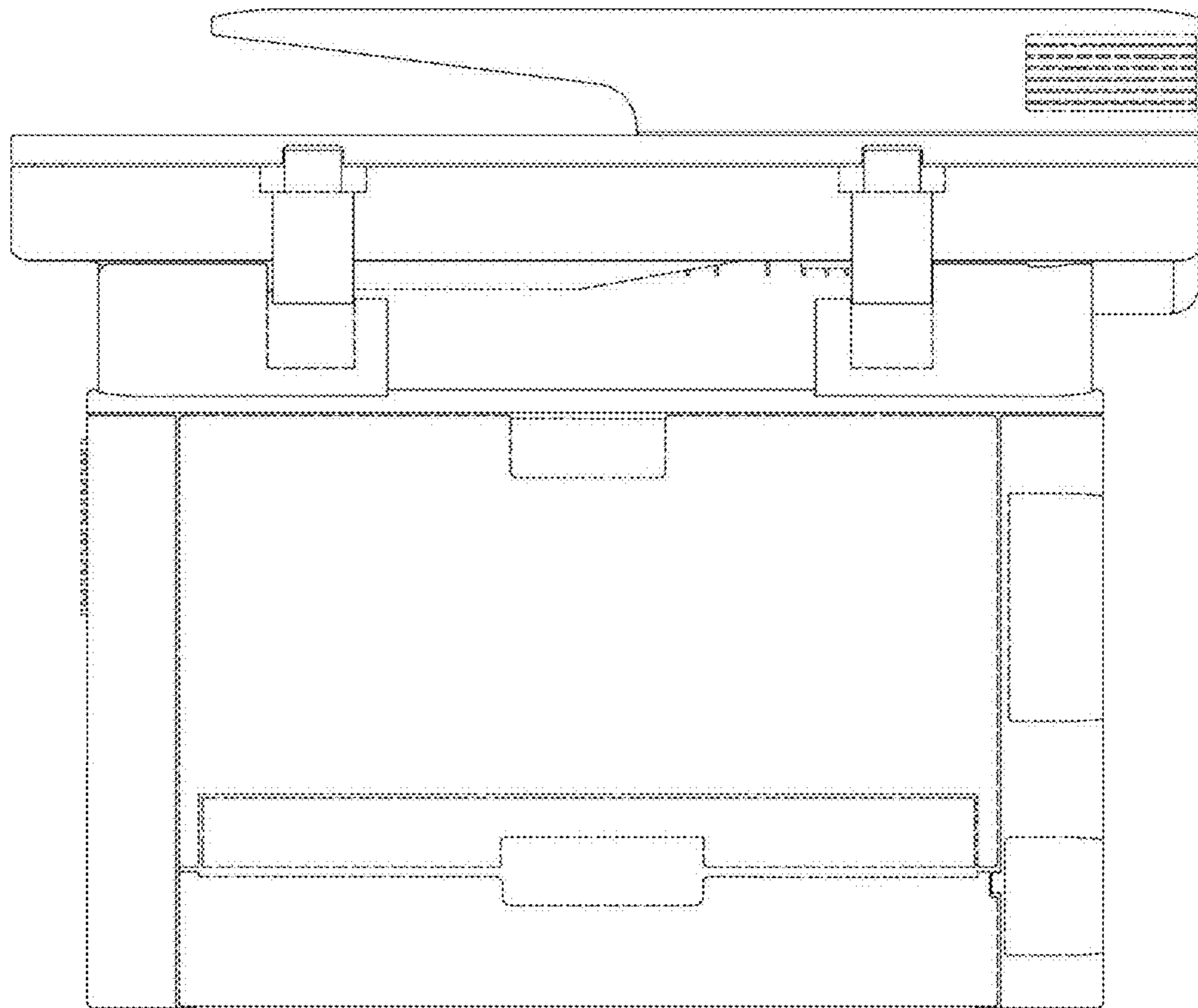


FIG. 6

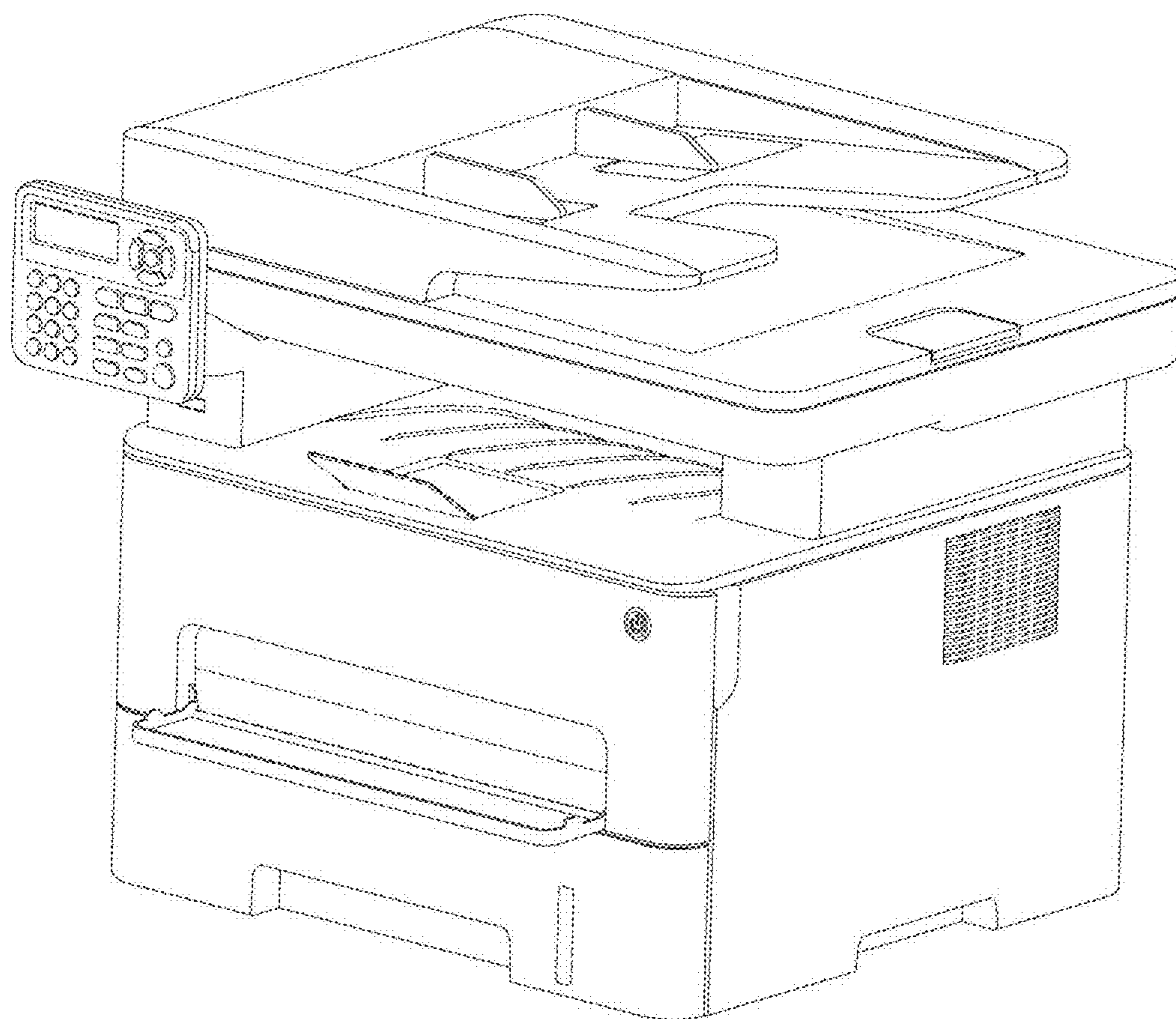


FIG. 7