



US00D837289S

(12) **United States Design Patent** (10) **Patent No.:** **US D837,289 S**
Hsu (45) **Date of Patent:** **** Jan. 1, 2019**

(54) **MUSICAL INSTRUMENT**

FOREIGN PATENT DOCUMENTS

(71) Applicant: **Jeffrey James Hsu**, Broomfield, CO
(US)

CN 201430074813 * 4/2014
FR 2625361 A1 * 6/1989 G10D 1/00

(72) Inventor: **Jeffrey James Hsu**, Broomfield, CO
(US)

OTHER PUBLICATIONS

(**) Term: **15 Years**

Elixir Violins, Violins Shapes for the brave maker, posted Jun. 4, 2010, [online], [site visited Jul. 25, 2018]. Available from Internet, <URL: <http://www.elixirviolins.com/vanilla-1.1.8/vanilla-1.1.8/comments.php?DiscussionID=11>> (Year: 2010).*

(21) Appl. No.: **29/619,794**

* cited by examiner

(22) Filed: **Oct. 2, 2017**

(51) **LOC (11) Cl.** **17-03**

Primary Examiner — Sheryl Lane

(52) **U.S. Cl.**

Assistant Examiner — Samantha N Wood

USPC **D17/20**

(74) *Attorney, Agent, or Firm* — Morrison & Foerster

(58) **Field of Classification Search**

LLP

USPC D17/14, 15, 17, 18, 19, 20, 21, 99;
D21/405, 406, 483

CPC .. G10D 1/00; G10D 1/02; G10D 1/08; G10D
1/06; G10D 3/143

(57) **CLAIM**

See application file for complete search history.

I claim the ornamental design for a musical instrument, as shown and described.

(56) **References Cited**

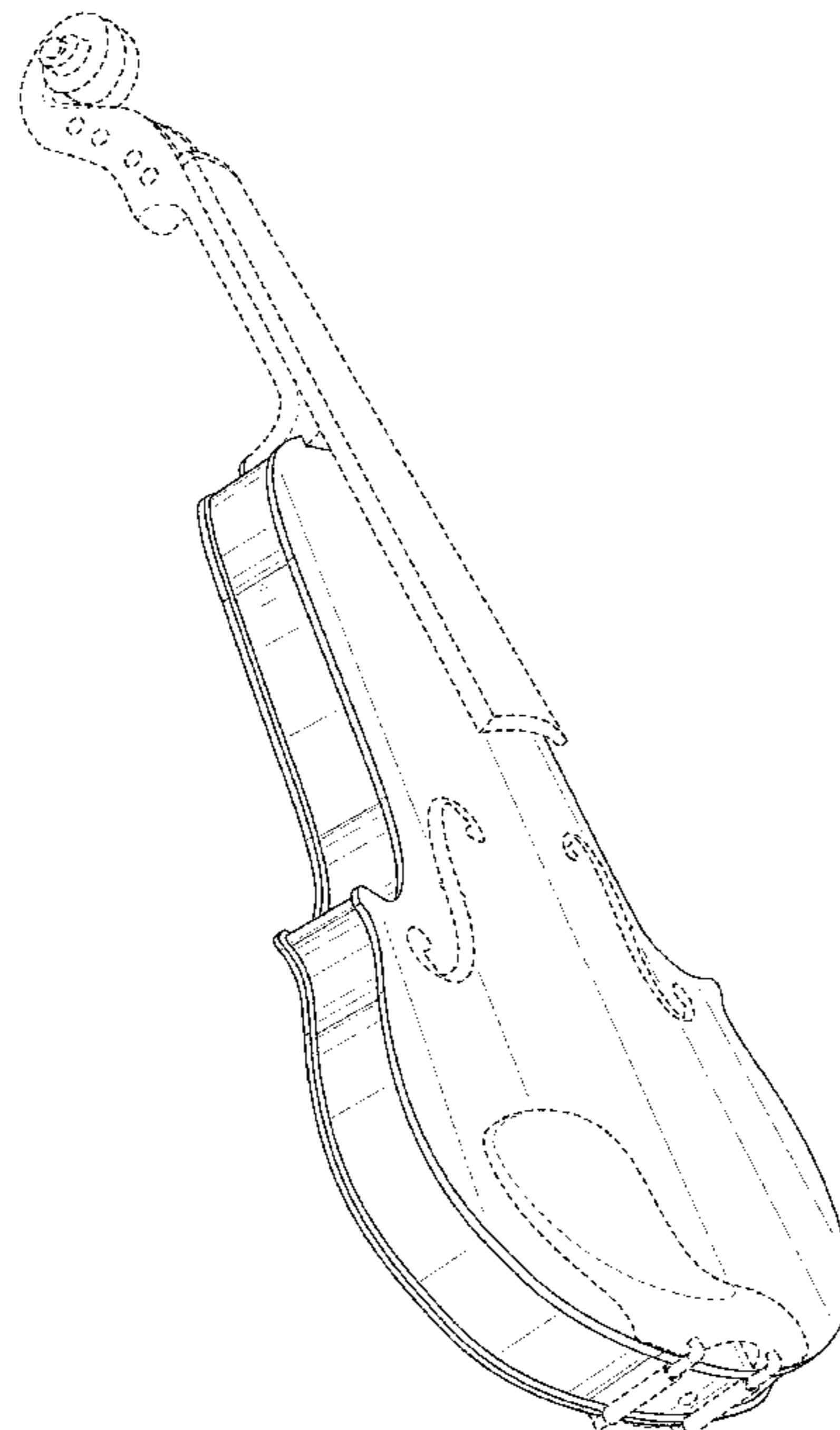
DESCRIPTION

U.S. PATENT DOCUMENTS

1,377,067 A * 5/1921 Groebl G10D 1/00
84/275
4,343,220 A * 8/1982 Lundquist G10D 3/18
84/274
D309,744 S * 8/1990 Stumpf D17/14
5,247,132 A 9/1993 Henderson
D393,868 S * 4/1998 Welling 84/274
D439,601 S 3/2001 Byrne
D551,695 S * 9/2007 Gage D17/14
D576,664 S * 9/2008 Tsai D17/17
D767,016 S 9/2016 Tatsumi
2017/0140742 A1 5/2017 Kimura

FIG. 1 is a perspective view of a musical instrument showing my new design;
FIG. 2 is a front view thereof;
FIG. 3 is a back view thereof;
FIG. 4 is a right side view thereof;
FIG. 5 is a top view thereof; and,
FIG. 6 is a bottom view thereof.
The left side view is a mirror image of the right side view.
The broken lines shown in the drawings illustrate portions of a musical instrument that form no part of the claimed design.

1 Claim, 5 Drawing Sheets



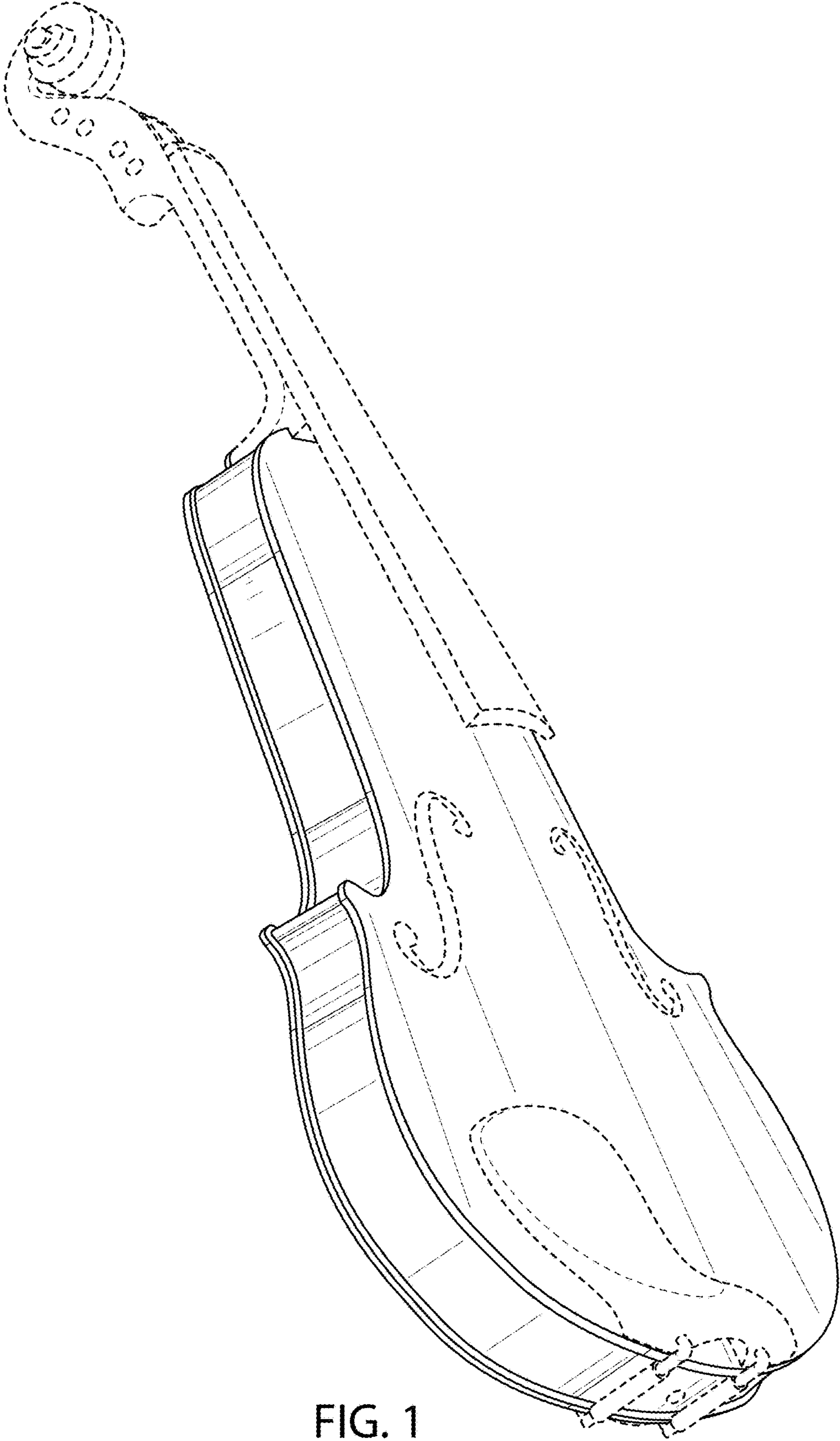


FIG. 1

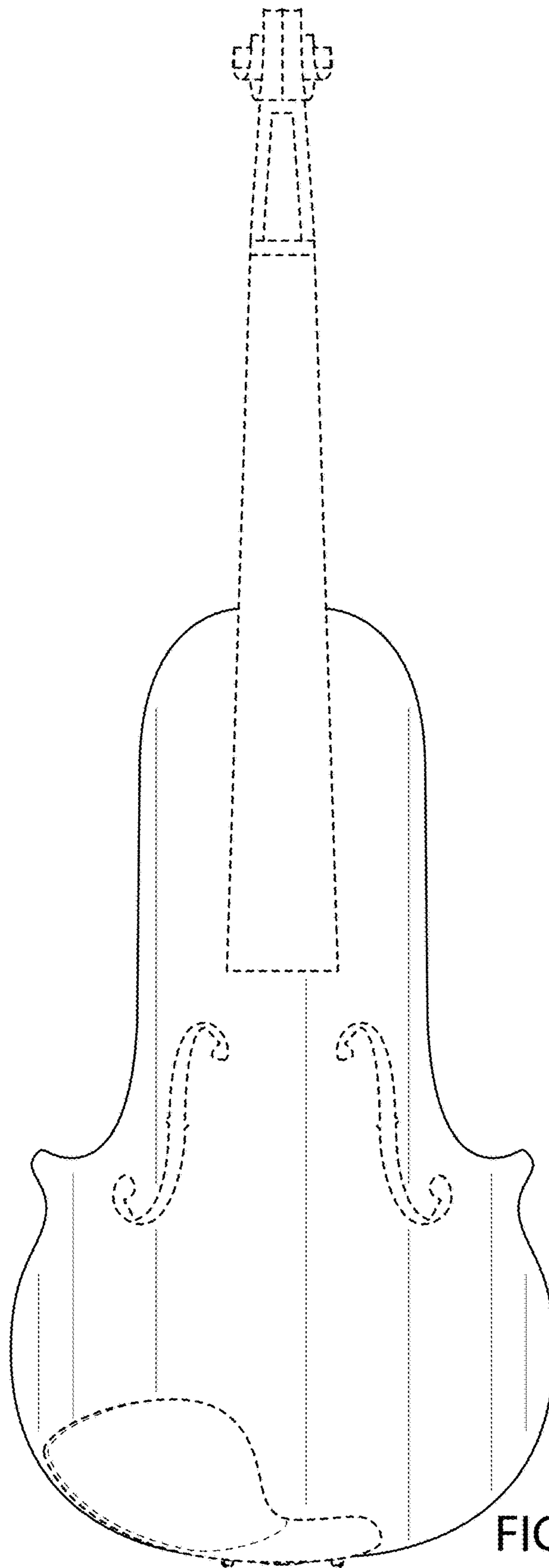


FIG. 2

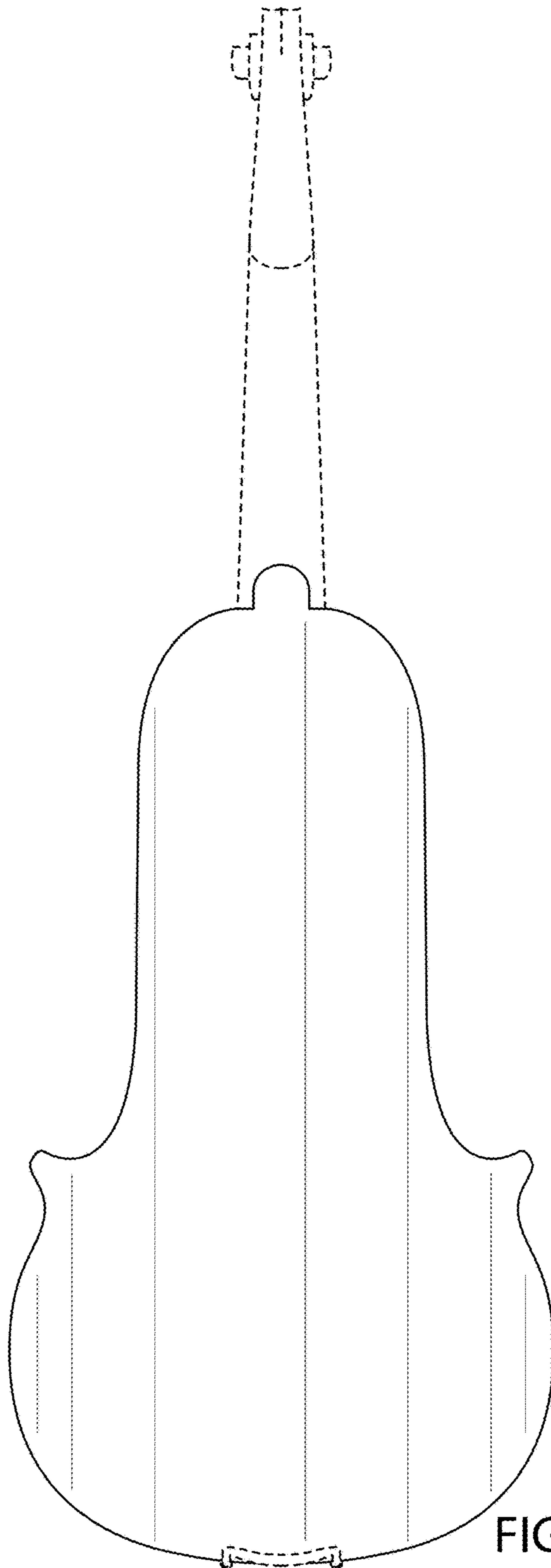


FIG. 3

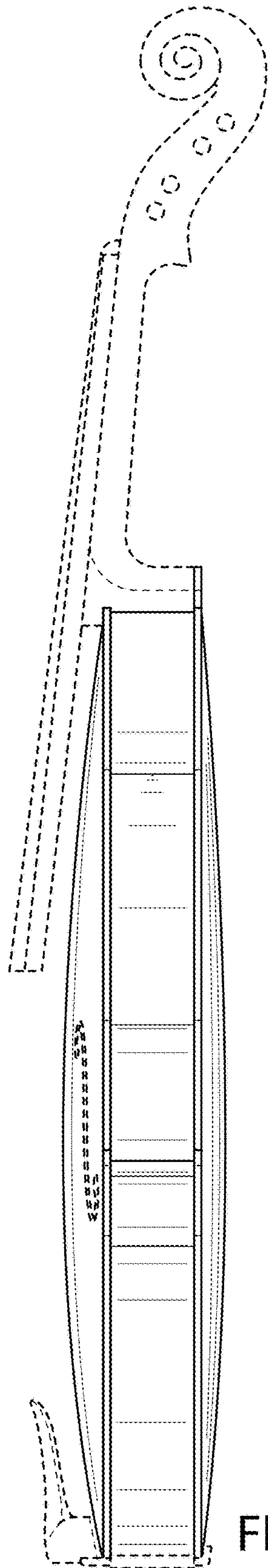


FIG. 4

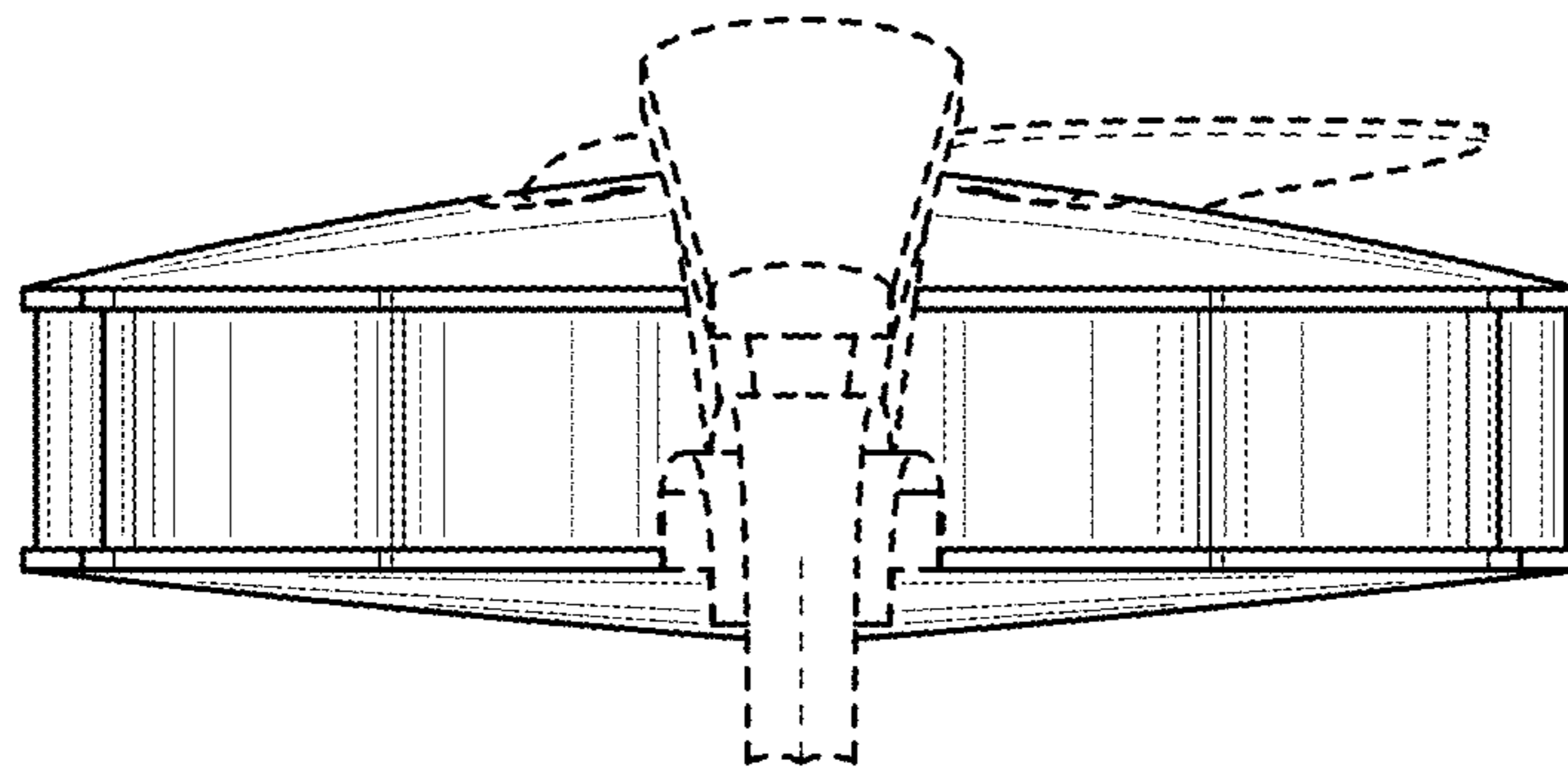


FIG. 5

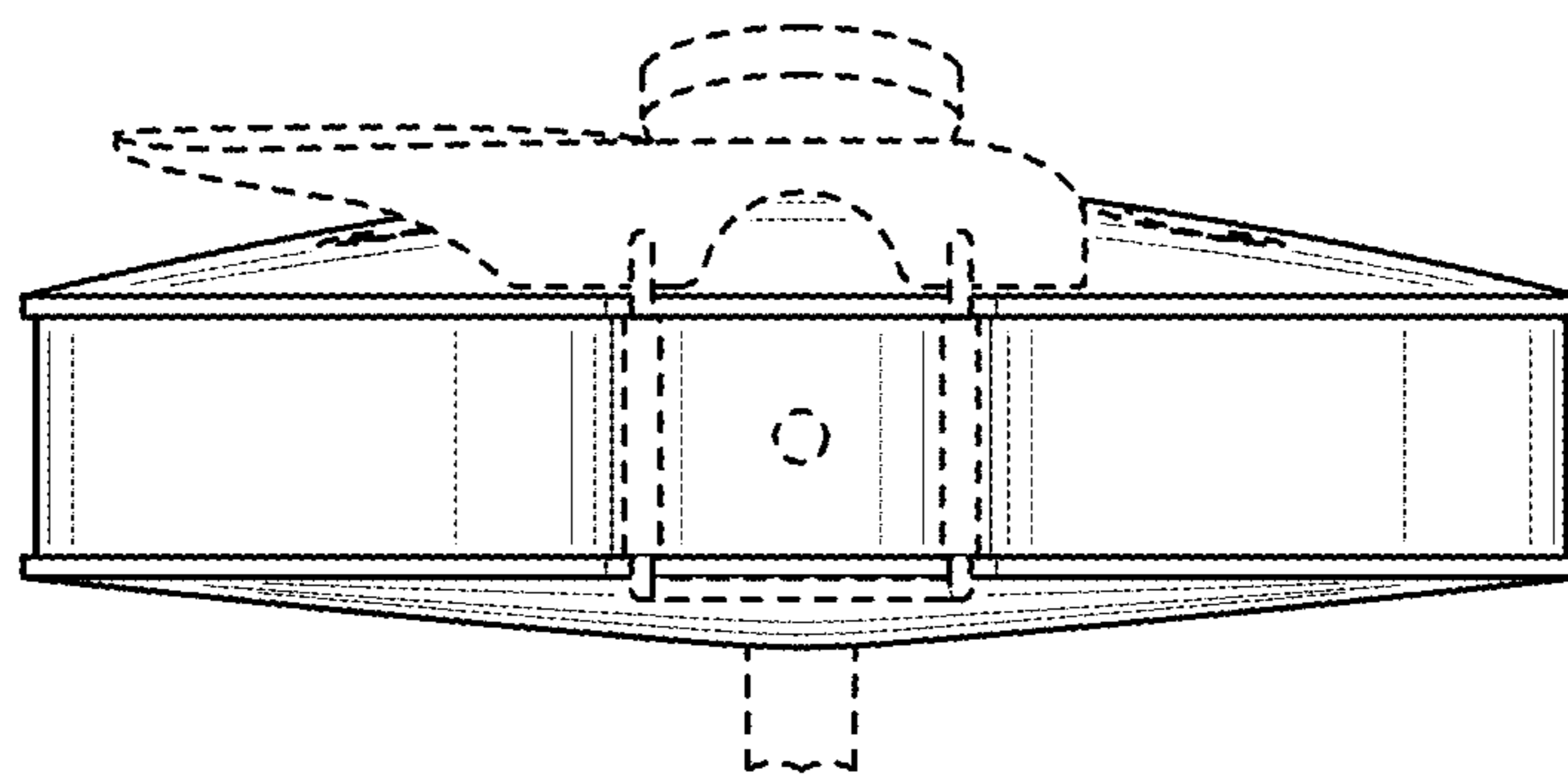


FIG. 6