

US00D837288S

(12) **United States Design Patent**
Wong

(10) **Patent No.:** **US D837,288 S**

(45) **Date of Patent:** **** Jan. 1, 2019**

- (54) **GUITAR**
- (71) Applicant: **Tin-Ho Wong**, Hong Kong (HK)
- (72) Inventor: **Tin-Ho Wong**, Hong Kong (HK)
- (73) Assignee: **VOLA GUITAR LIMITED**, Hong Kong (HK)

7,696,420 B2 *	4/2010	Thompson	G10D 3/146	84/173
D623,219 S *	9/2010	Mosconi	D17/14	
D629,446 S *	12/2010	Andreasen	D17/14	
D637,190 S *	5/2011	McGuire, II	D14/400	
D639,333 S *	6/2011	Betts	D17/14	
D681,104 S *	4/2013	Yi	D17/20	
2014/0196590 A1 *	7/2014	Glaser, II	G10D 3/06	84/453

(**) Term: **15 Years**

FOREIGN PATENT DOCUMENTS

(21) Appl. No.: **29/610,059**

CN 200630096088 * 3/2006

(22) Filed: **Jul. 9, 2017**

* cited by examiner

(51) **LOC (11) Cl.** **17-03**

Primary Examiner — Sheryl Lane

(52) **U.S. Cl.**
USPC **D17/14**

Assistant Examiner — Samantha N Wood

(58) **Field of Classification Search**
USPC D17/14–21, 99; D21/405, 406, 407
CPC G10D 1/00; G10D 1/08; G10D 1/085;
G10D 3/00; G10D 3/06; G10D 3/02;
G10D 3/12; G10D 3/18; G10D 3/14
See application file for complete search history.

(57) **CLAIM**

The ornamental design for a guitar, as shown and described.

(56) **References Cited**

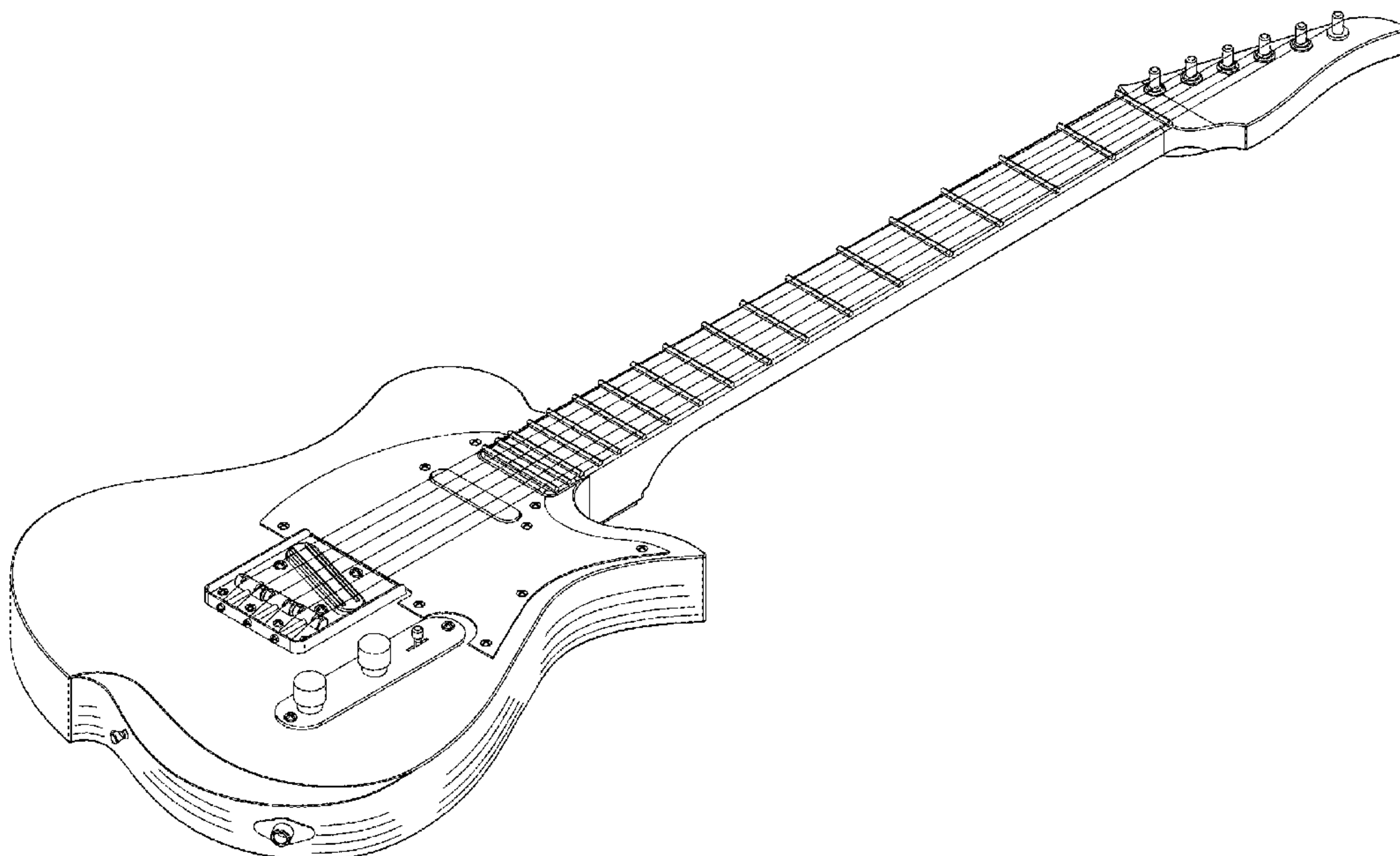
DESCRIPTION

U.S. PATENT DOCUMENTS

4,503,746 A *	3/1985	Kakehashi	G10H 1/053	84/267
D303,270 S *	9/1989	Kaman, II	D17/14	
D323,669 S *	2/1992	Pagelli	D17/14	
D428,043 S *	7/2000	Pyle	D17/14	
D481,412 S *	10/2003	Minarik	D17/20	
D533,212 S *	12/2006	Johnson	D17/20	
D549,767 S *	8/2007	Mitic	D17/14	

FIG. 1 is a perspective view of a guitar showing my new design;
FIG. 2 is a front elevational view thereof;
FIG. 3 is a top plan view thereof;
FIG. 4 is a left side elevational view thereof;
FIG. 5 is a rear elevational view thereof;
FIG. 6 is a right side elevational view thereof; and,
FIG. 7 is a bottom plan view thereof.

1 Claim, 7 Drawing Sheets



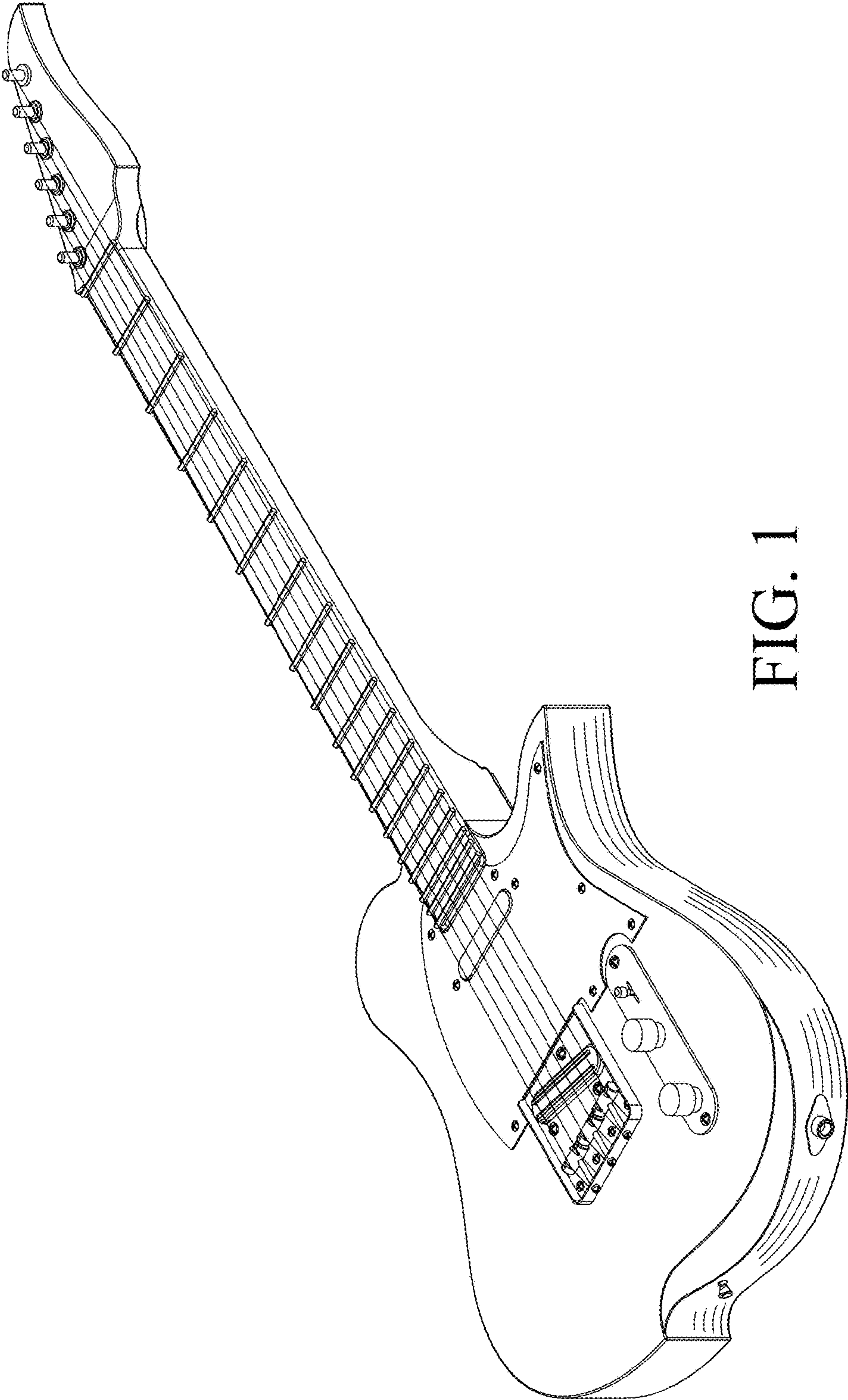


FIG. 1

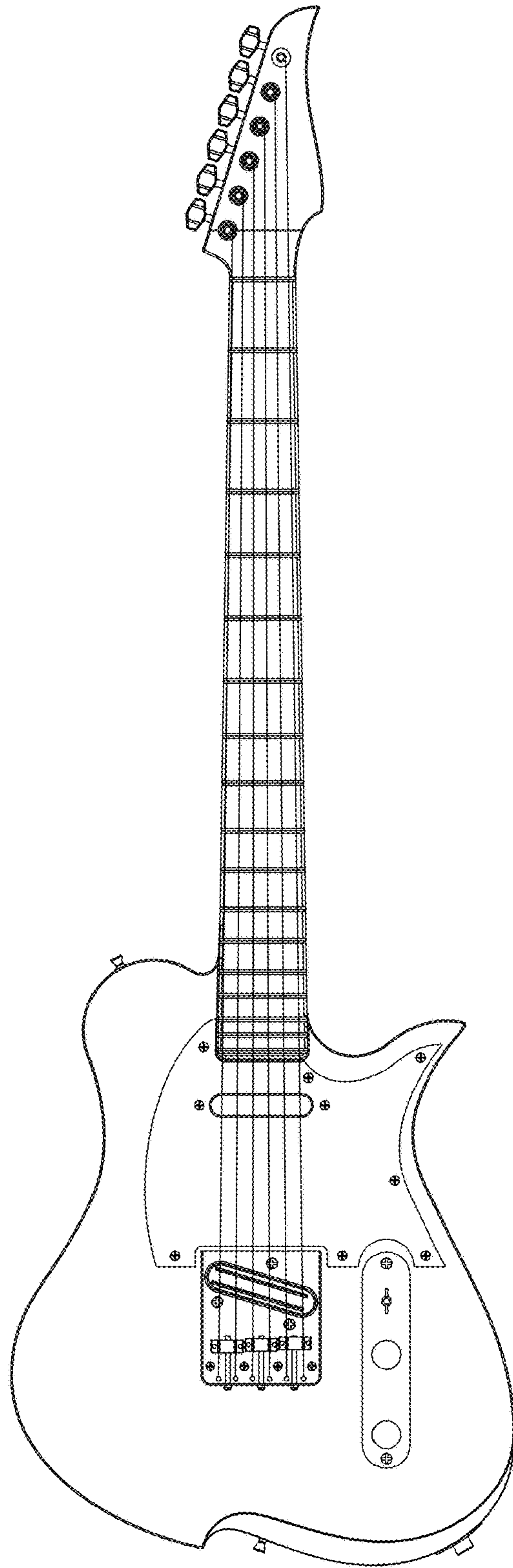


FIG. 2

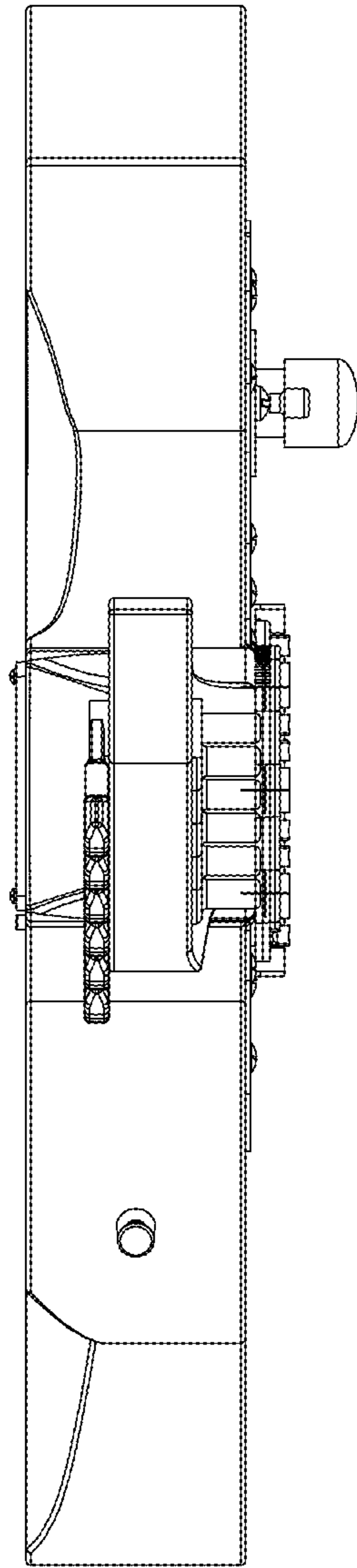


FIG. 3

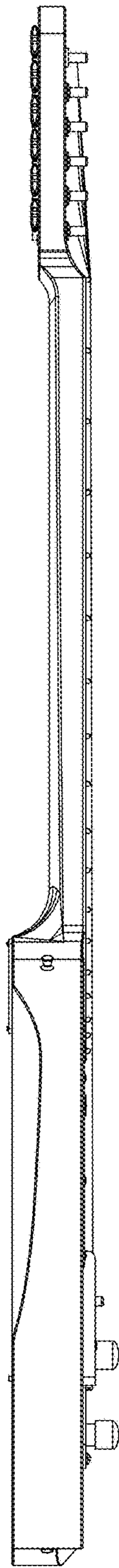


FIG. 4

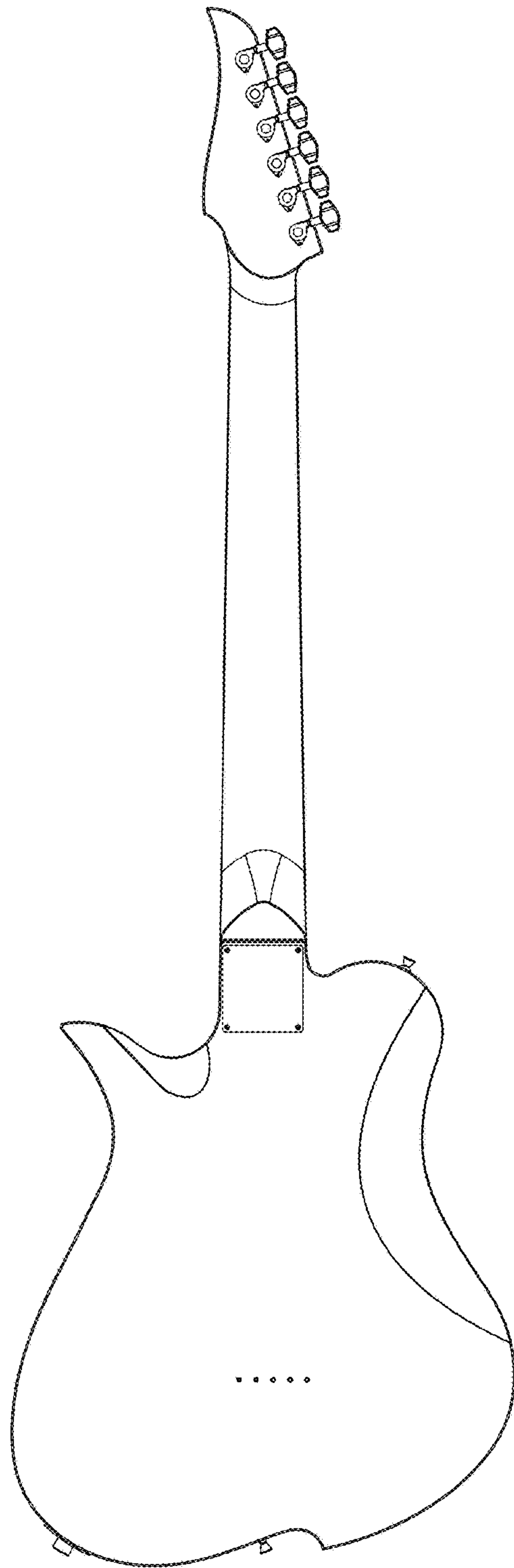


FIG. 5

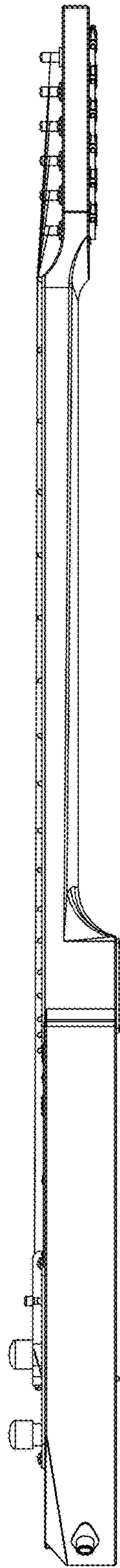


FIG. 6

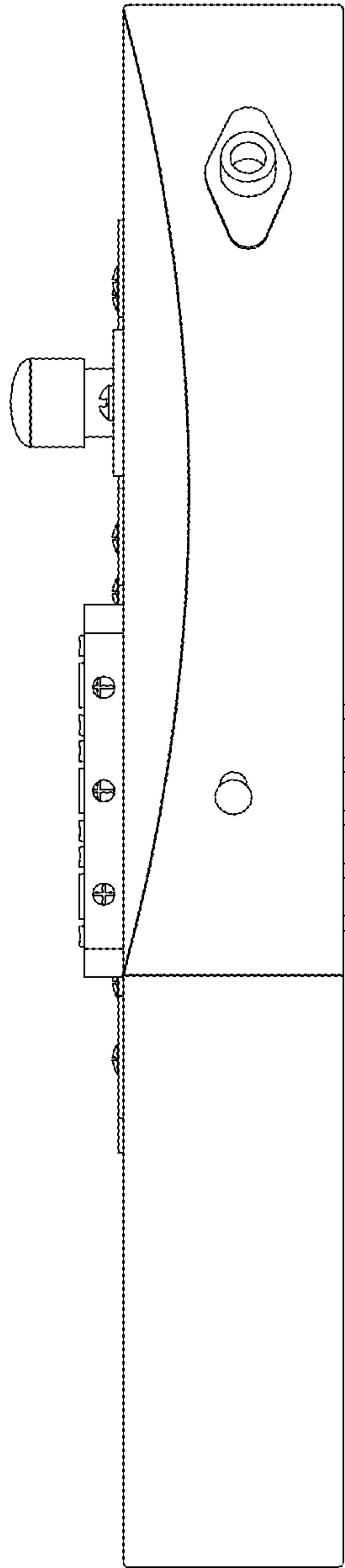


FIG. 7