

US00D837284S

(12) **United States Design Patent** (10) **Patent No.:** **US D837,284 S**
Tatsumi (45) **Date of Patent:** **** Jan. 1, 2019**

(54) **PIANO**

FOREIGN PATENT DOCUMENTS

(71) Applicant: **YAMAHA CORPORATION**,
Hamamatsu-shi (JP)

CN 201430540748 * 12/2014

(72) Inventor: **Keizo Tatsumi**, Hamamatsu (JP)

OTHER PUBLICATIONS

(73) Assignee: **YAMAHA CORPORATION**,
Hamamatsu-shi, Shizuoka (JP)

Office Action dated Feb. 13, 2017, issued by the Japanese Patent Office in counterpart Japanese Design Application No. 2016-022026.

(**) Term: **15 Years**

(Continued)

(21) Appl. No.: **29/600,119**

Primary Examiner — Sheryl Lane
Assistant Examiner — Samantha N Wood

(22) Filed: **Apr. 10, 2017**

(74) *Attorney, Agent, or Firm* — Sughrue Mion, PLLC

(30) **Foreign Application Priority Data**

(57) **CLAIM**

The ornamental design for a piano, as shown and described.

Oct. 11, 2016 (JP) 2016-022024

Oct. 11, 2016 (JP) 2016-022025

(51) **LOC (11) Cl.** **17-01**

(52) **U.S. Cl.**
USPC **D17/7**

(58) **Field of Classification Search**

USPC D17/1, 2, 3, 4, 5, 6, 7, 8, 9, 99;
D14/175, 188, 196–198, 217, 257, 258;
D21/405, 409, 586

CPC G09B 15/00; G09B 15/08; G10C 3/00;
G10C 3/02; G10C 3/04; G10C 3/08;
G10C 3/10; G10C 3/12; G10C 3/16;
G10C 3/26; G10C 1/00; G10C 1/02;
G10C 1/04; G10C 5/00; G10C 5/005

See application file for complete search history.

DESCRIPTION

FIG. 1 is a perspective view of the front, top and right side of a piano according to a first embodiment showing my new design;

FIG. 2 is a front view thereof;

FIG. 3 is a rear view thereof;

FIG. 4 is a left side view thereof;

FIG. 5 is a right side view thereof;

FIG. 6 is a top view thereof;

FIG. 7 is a bottom view thereof;

FIG. 8 is a perspective view of the front, top and right side of a piano according to a second embodiment showing my new design;

FIG. 9 is a front view thereof;

FIG. 10 is a rear view thereof;

FIG. 11 is a left side view thereof;

FIG. 12 is a right side view thereof;

FIG. 13 is a top view thereof; and,

FIG. 14 is a bottom view thereof.

The broken line showing of the piano is included for the purpose of illustrating portions of the piano and forms no part of the claimed design.

(56) **References Cited**

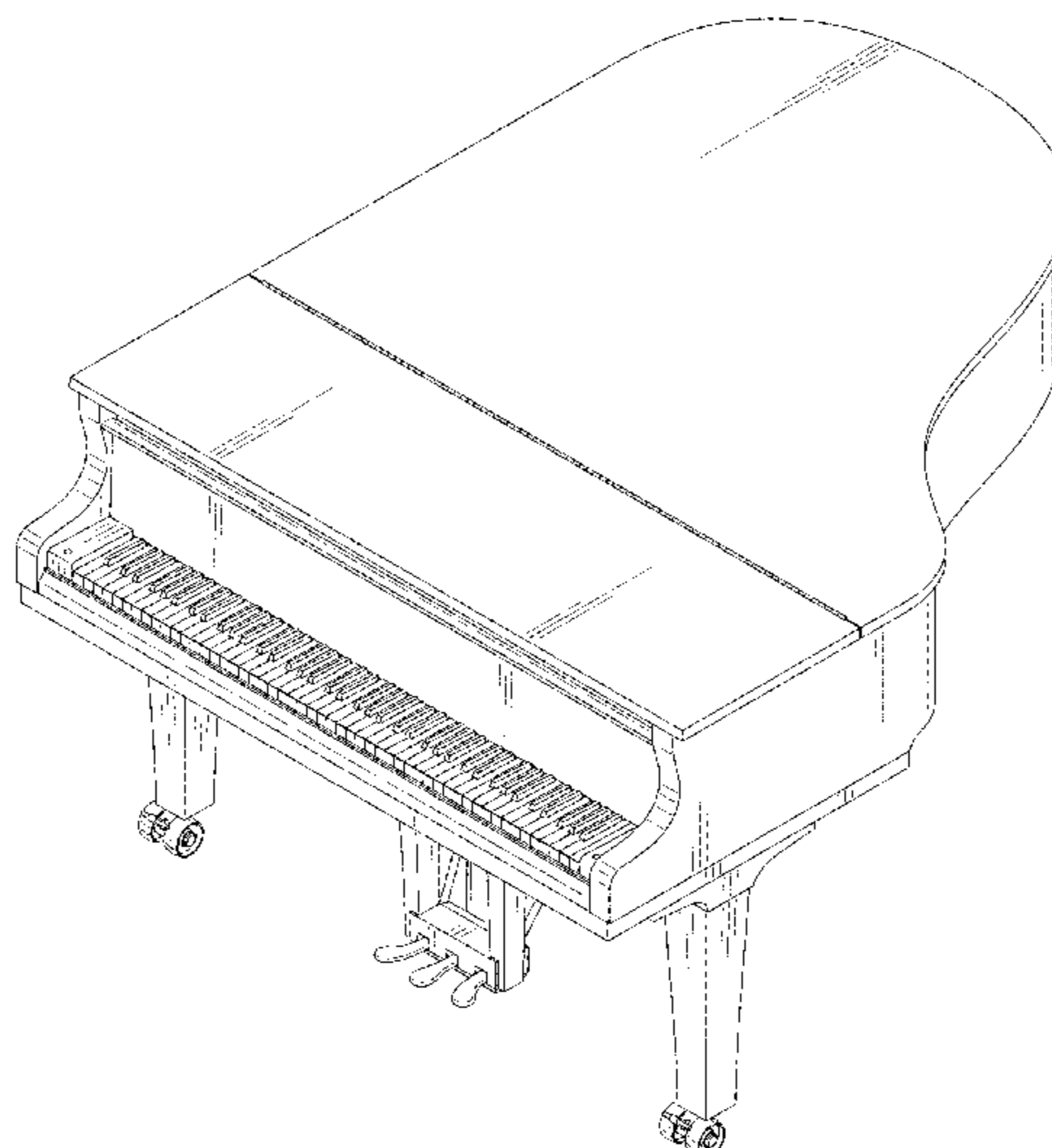
U.S. PATENT DOCUMENTS

598,693 A * 2/1898 Bowen G10C 1/00
84/174

D64,464 S * 4/1924 Lehi D17/8

(Continued)

1 Claim, 12 Drawing Sheets



(56)

References Cited

U.S. PATENT DOCUMENTS

1,686,726 A * 10/1928 Betz G10C 3/04
84/186.1
1,709,045 A * 4/1929 Poland G10C 3/04
84/187
4,211,142 A * 7/1980 Conklin, Jr. G10C 1/04
84/182
D322,089 S * 12/1991 Orris 84/177
D345,967 S * 4/1994 Kroner D14/335
D574,879 S * 8/2008 Onishi D17/7
D676,899 S * 2/2013 Suzuki D17/8
D688,730 S * 8/2013 Suzuki D17/8

OTHER PUBLICATIONS

Anonymous, "Model D Concert Grand", Steinway & Sons, 2016
(retrieved Apr. 27, 2017), 2 pages total, <http://www.steinway.com/pianos/steinway/grand/model-d>.

* cited by examiner

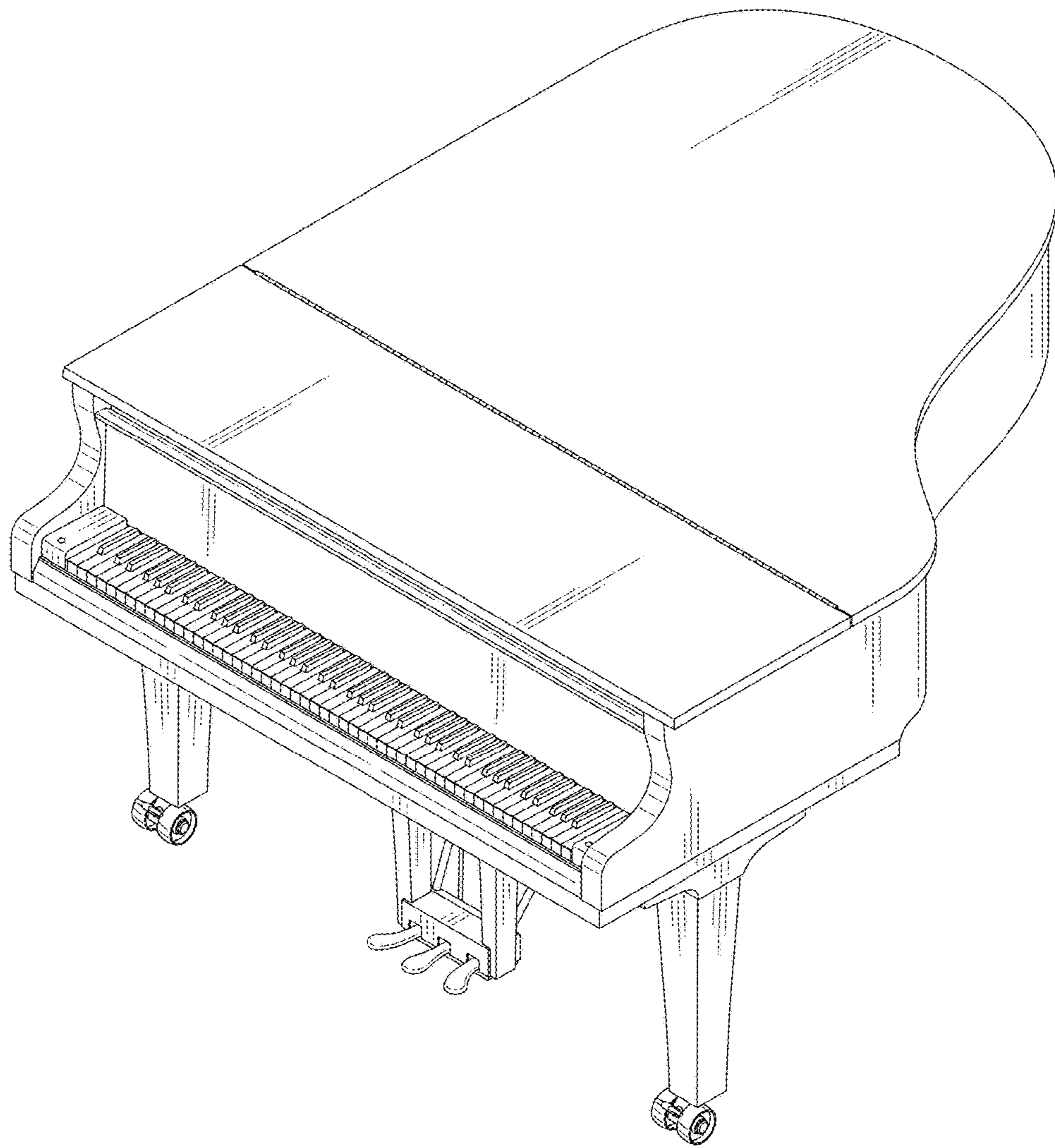


FIG. 1

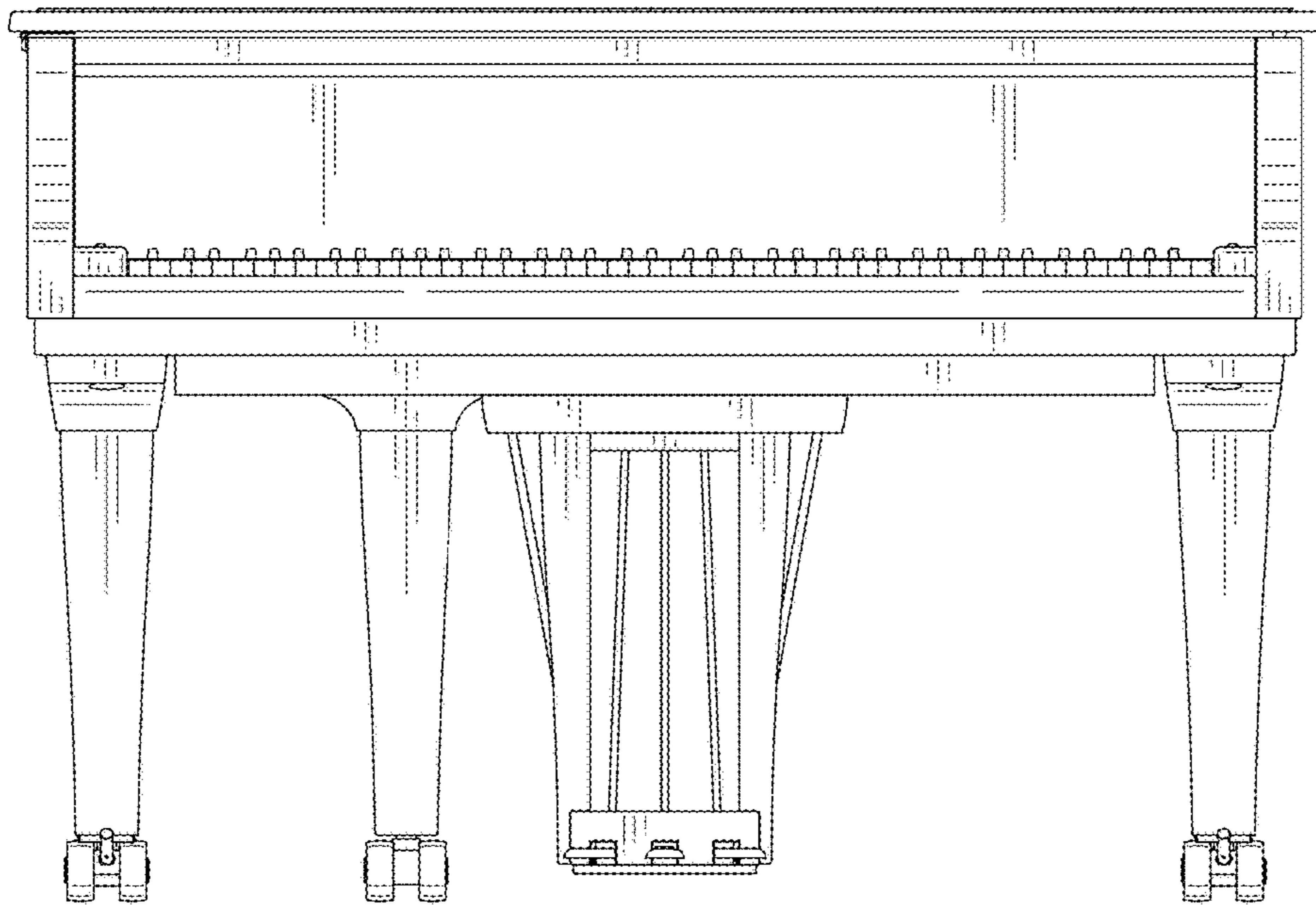


FIG. 2

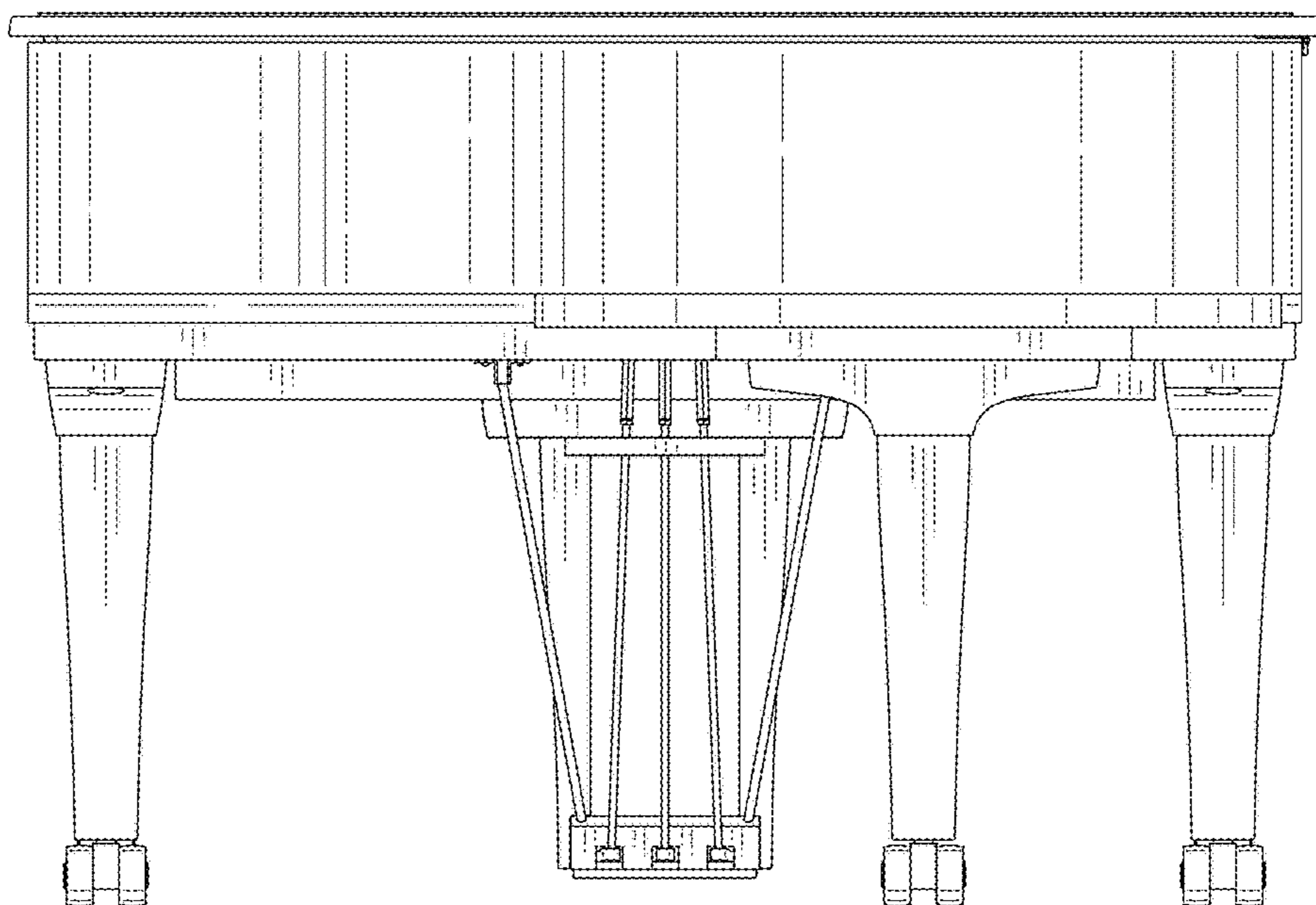


FIG. 3

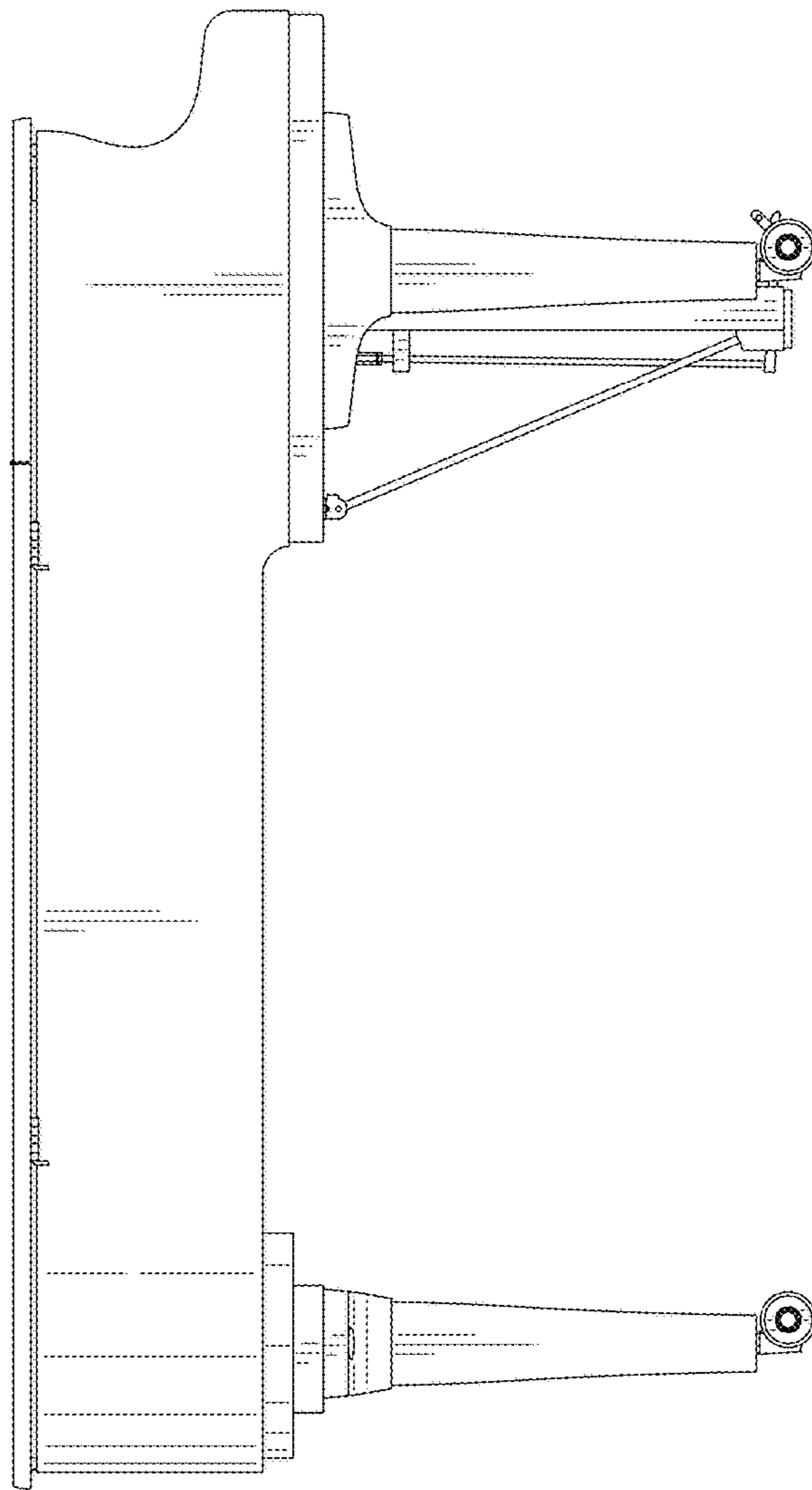


FIG. 4

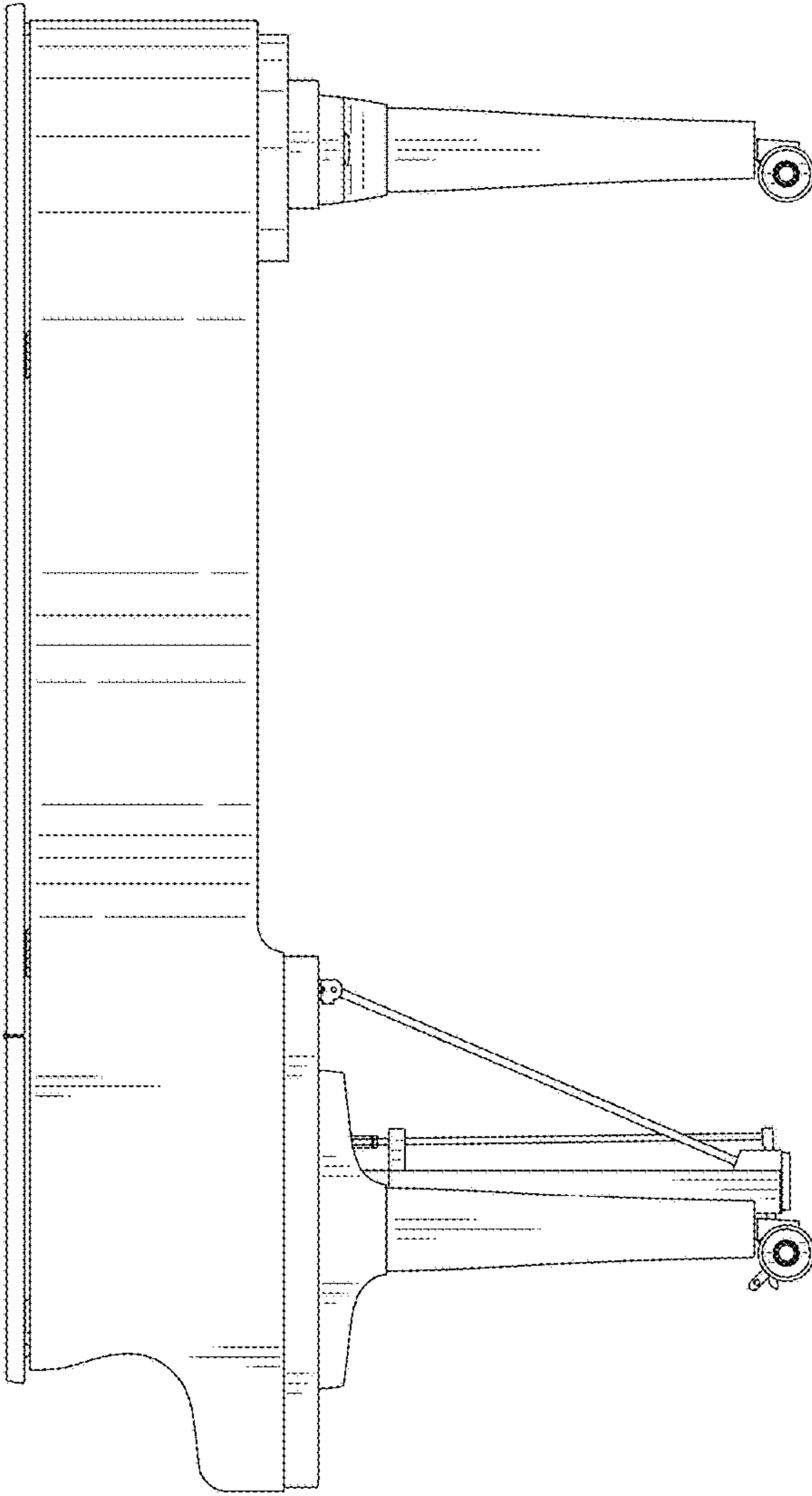


FIG. 5

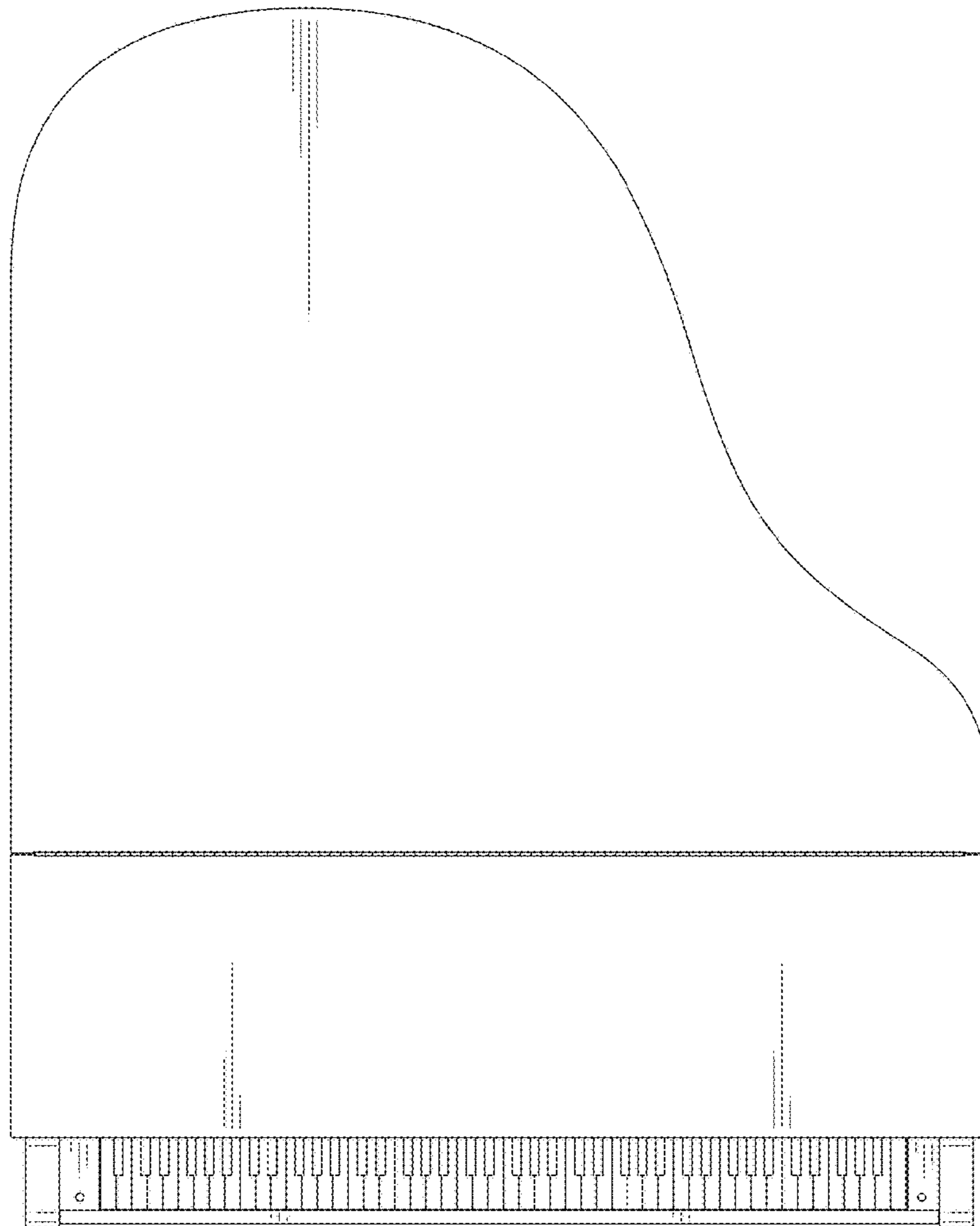


FIG. 6

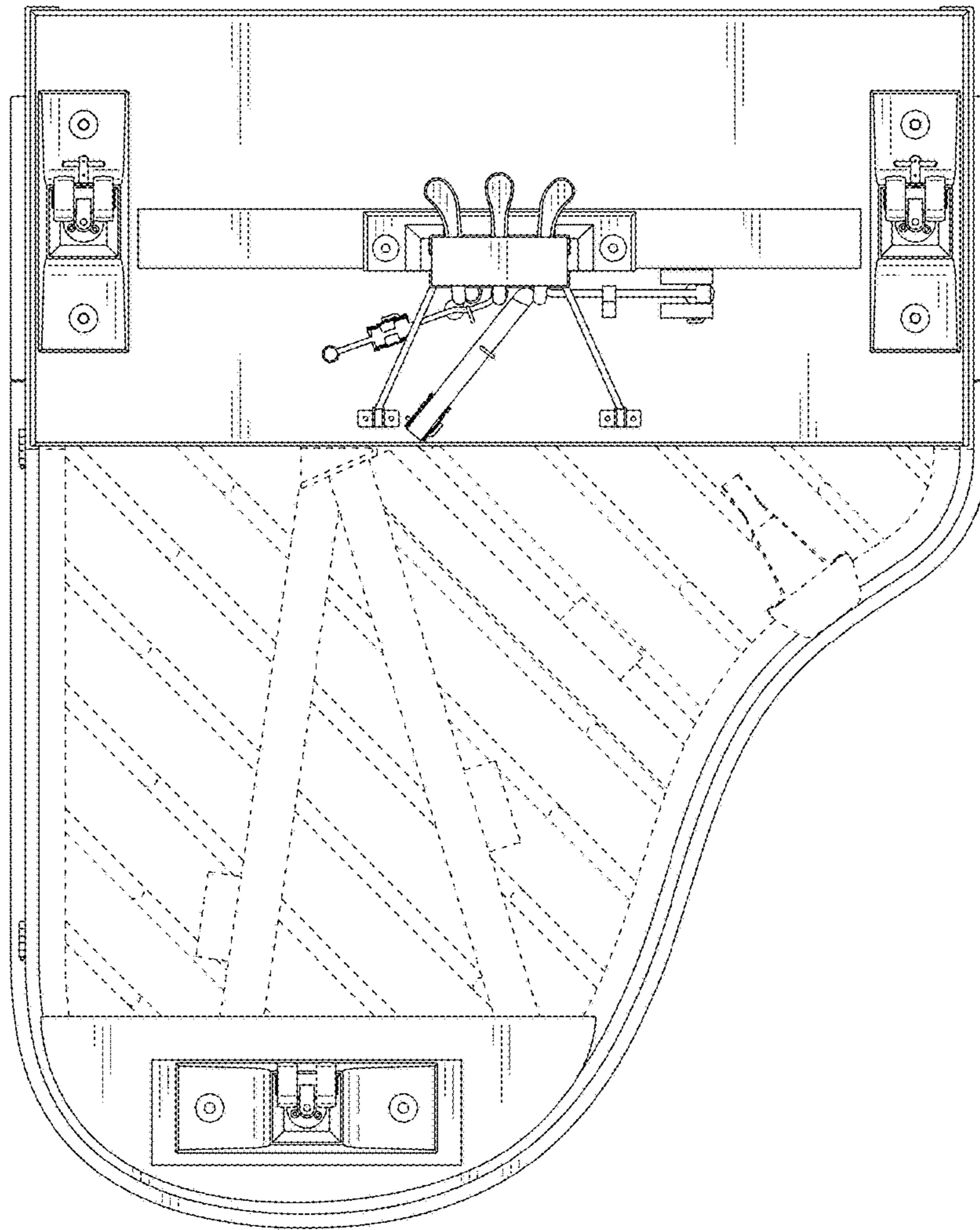


FIG. 7

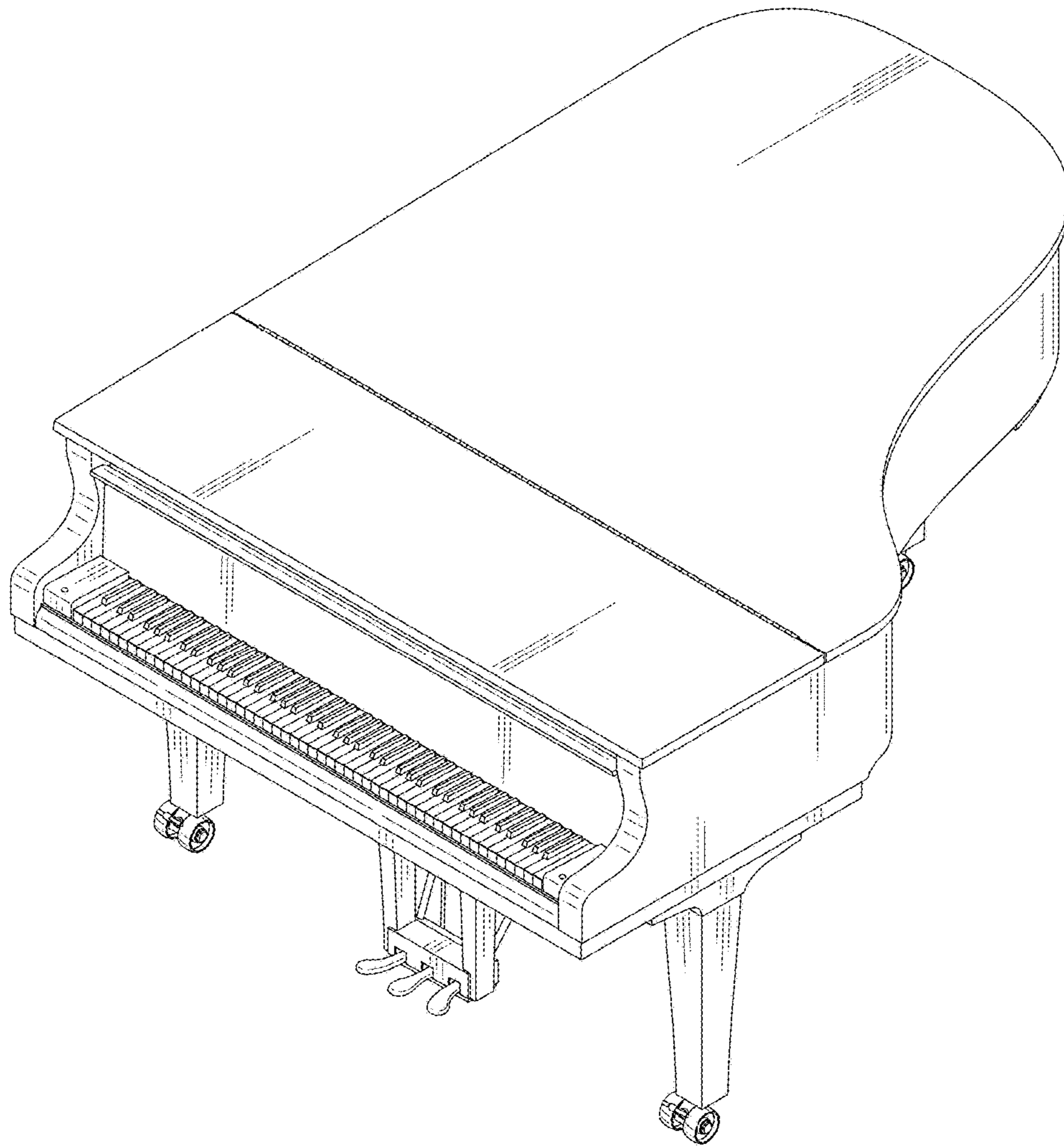


FIG. 8

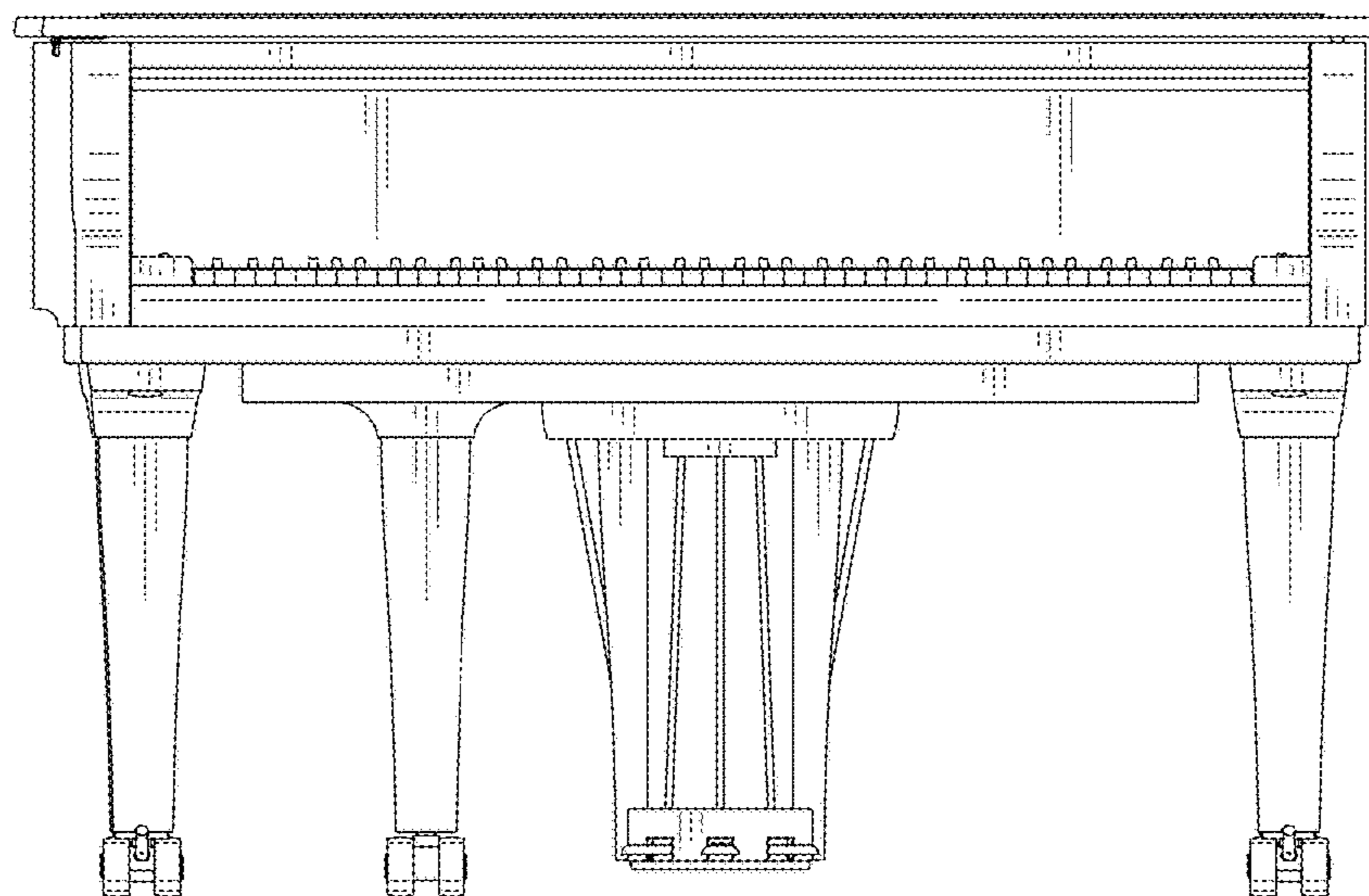


FIG. 9

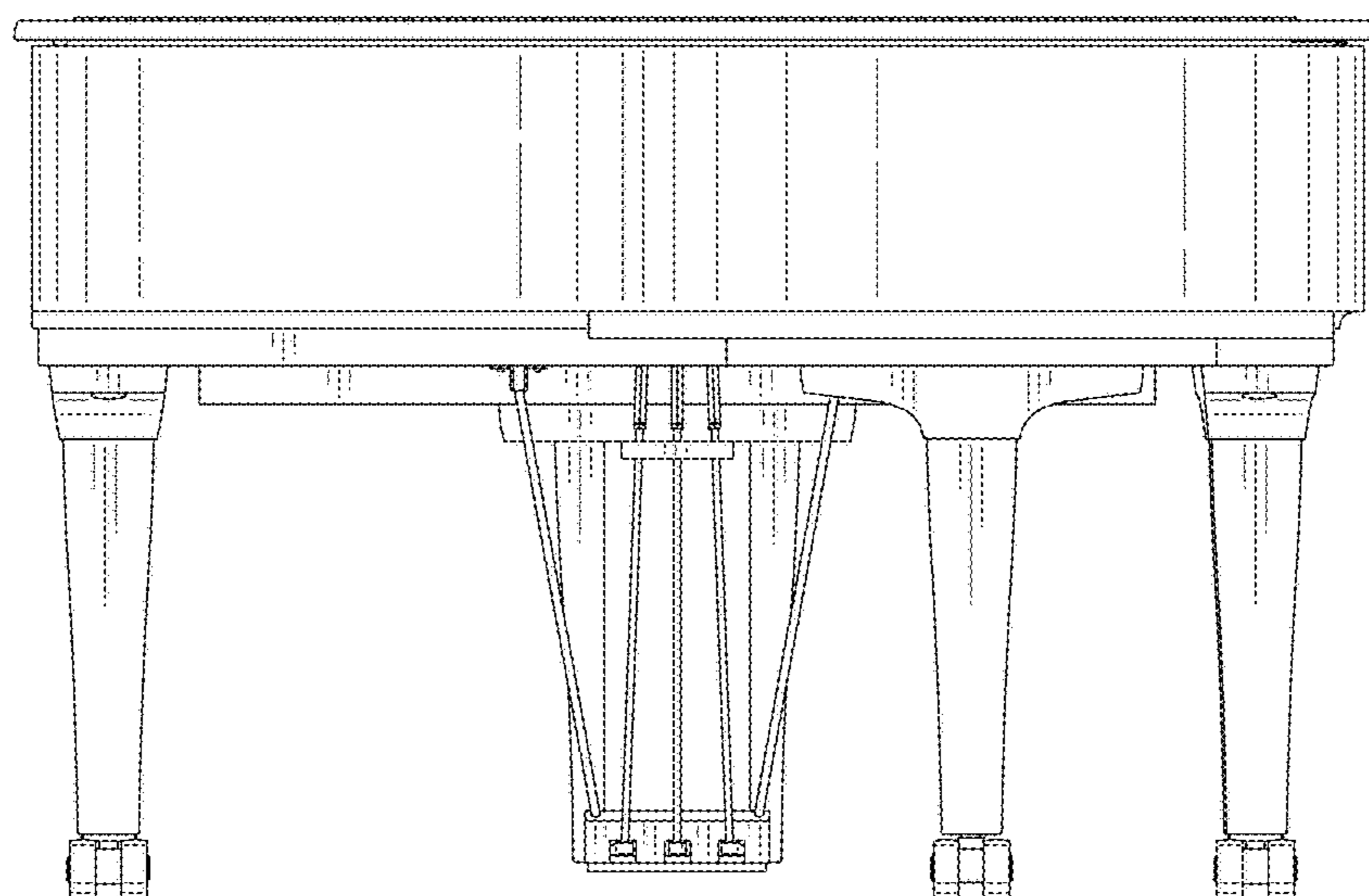


FIG. 10

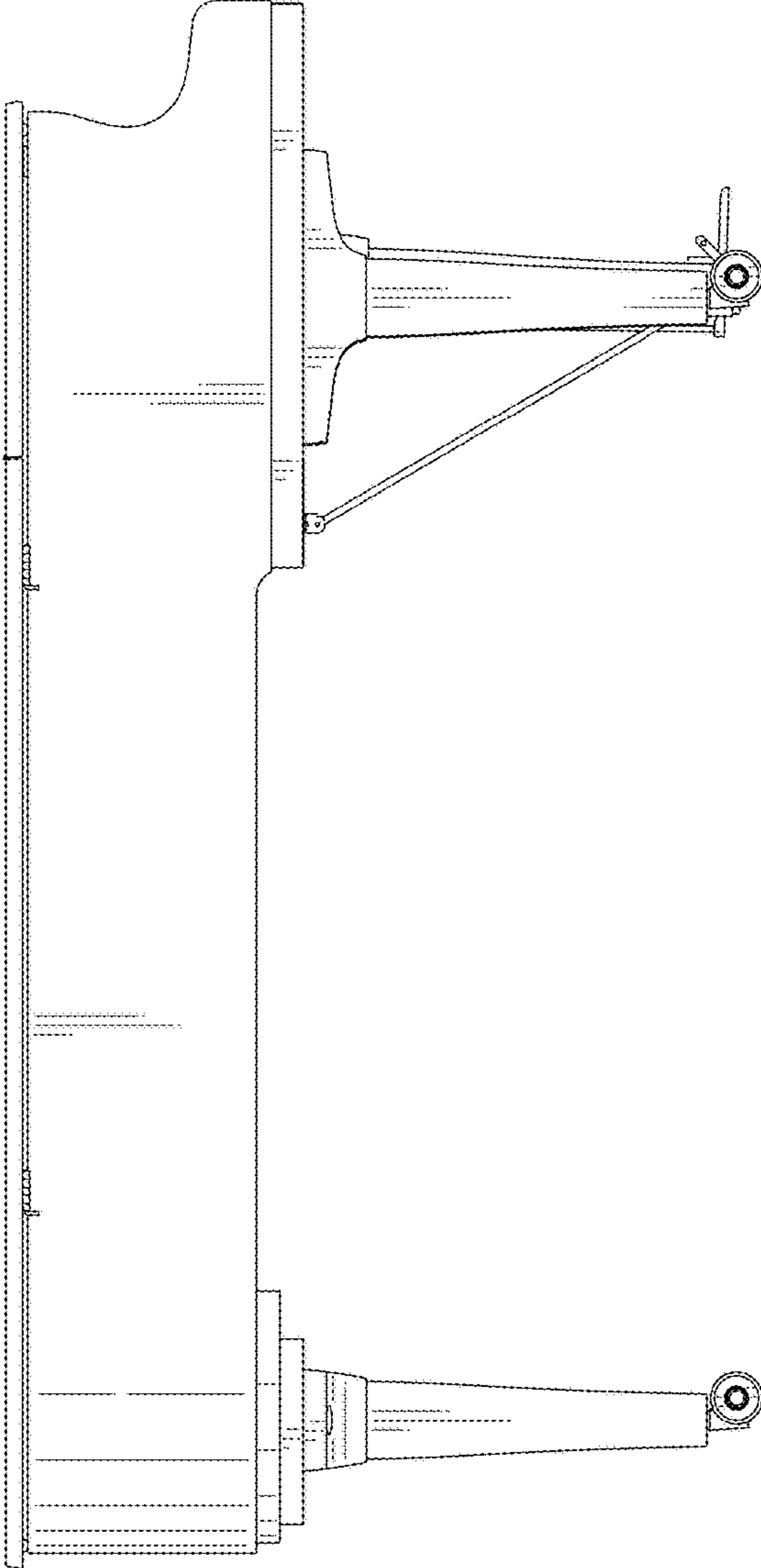


FIG. 11

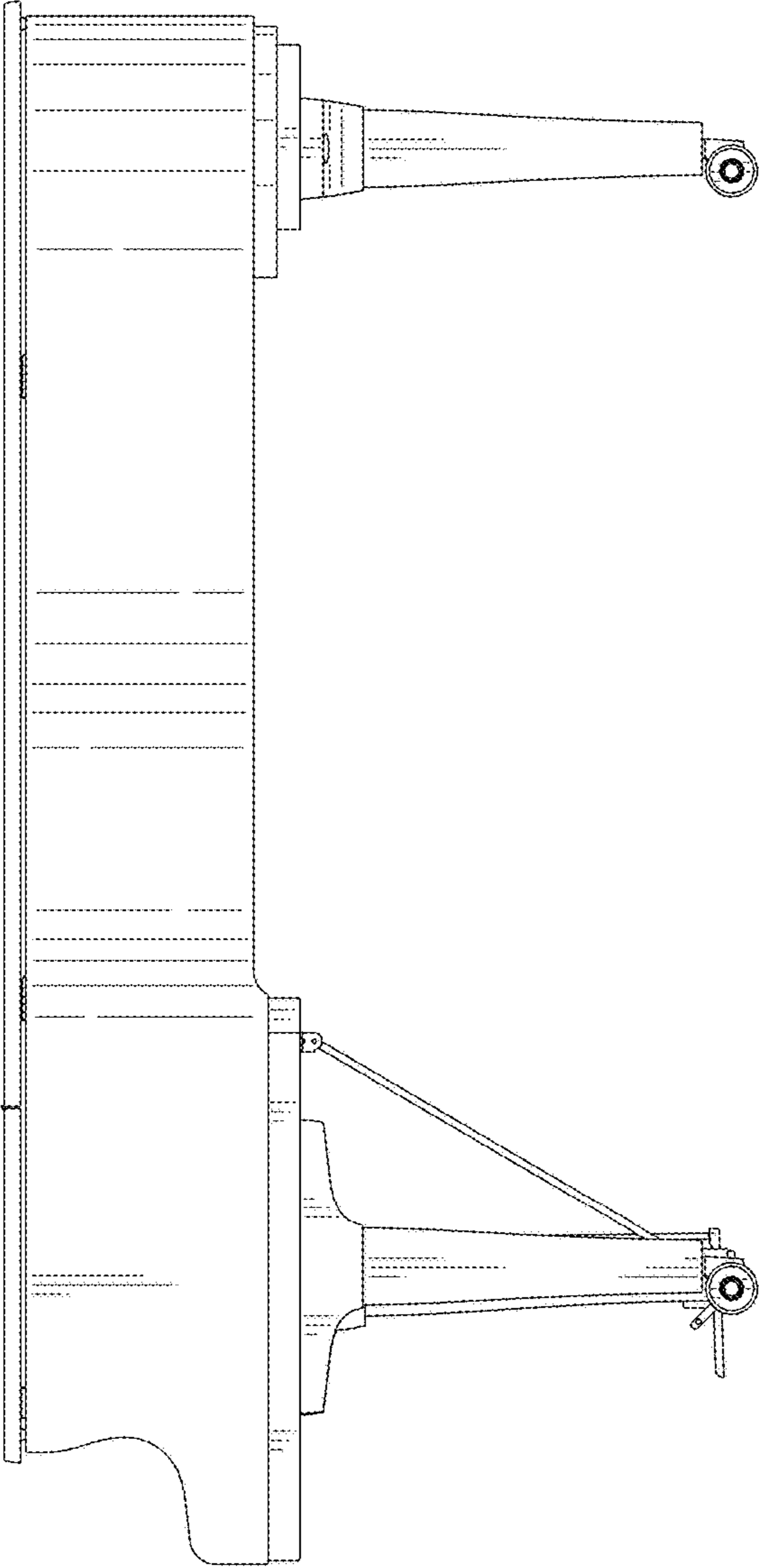


FIG. 12

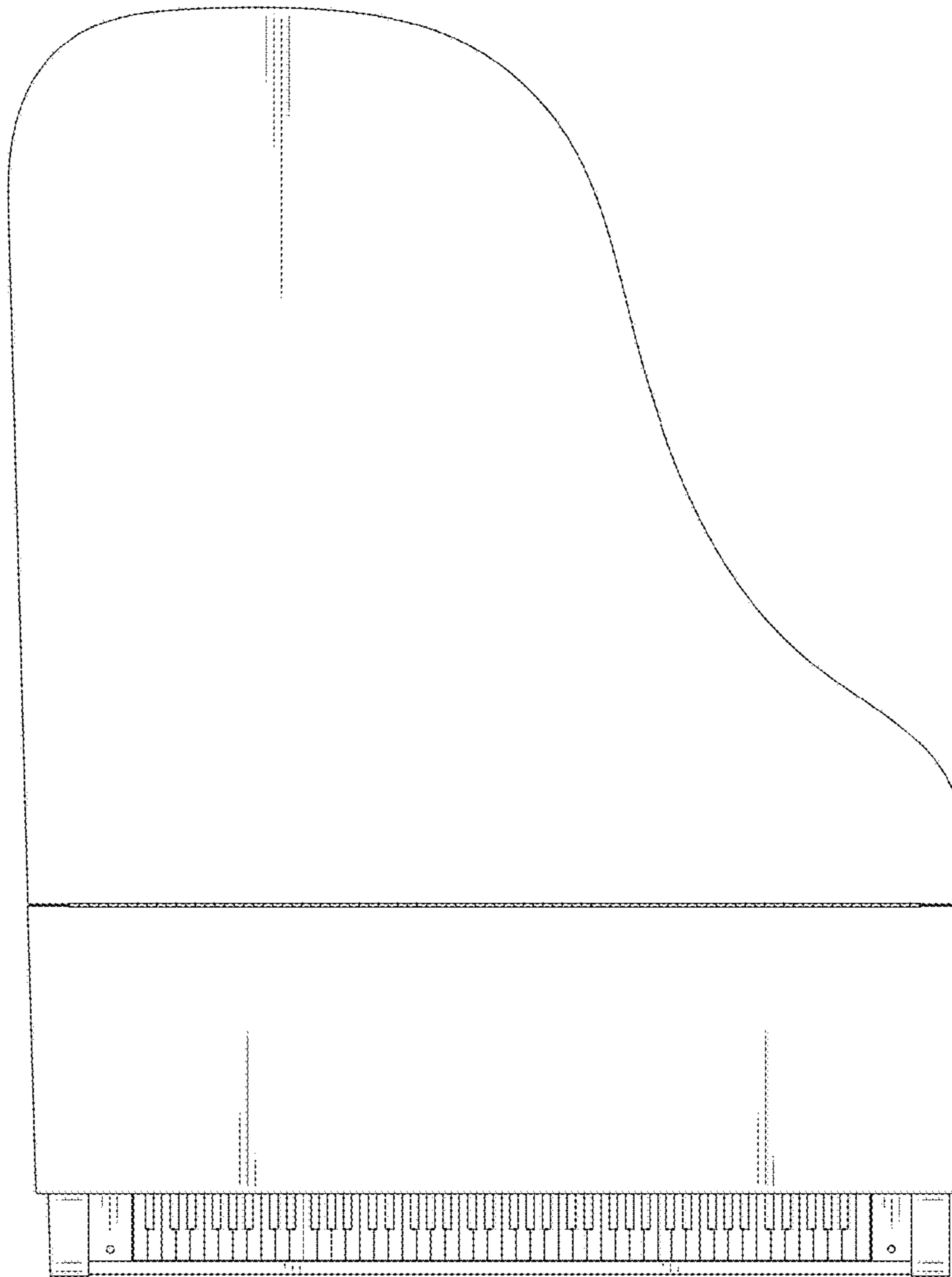


FIG. 13

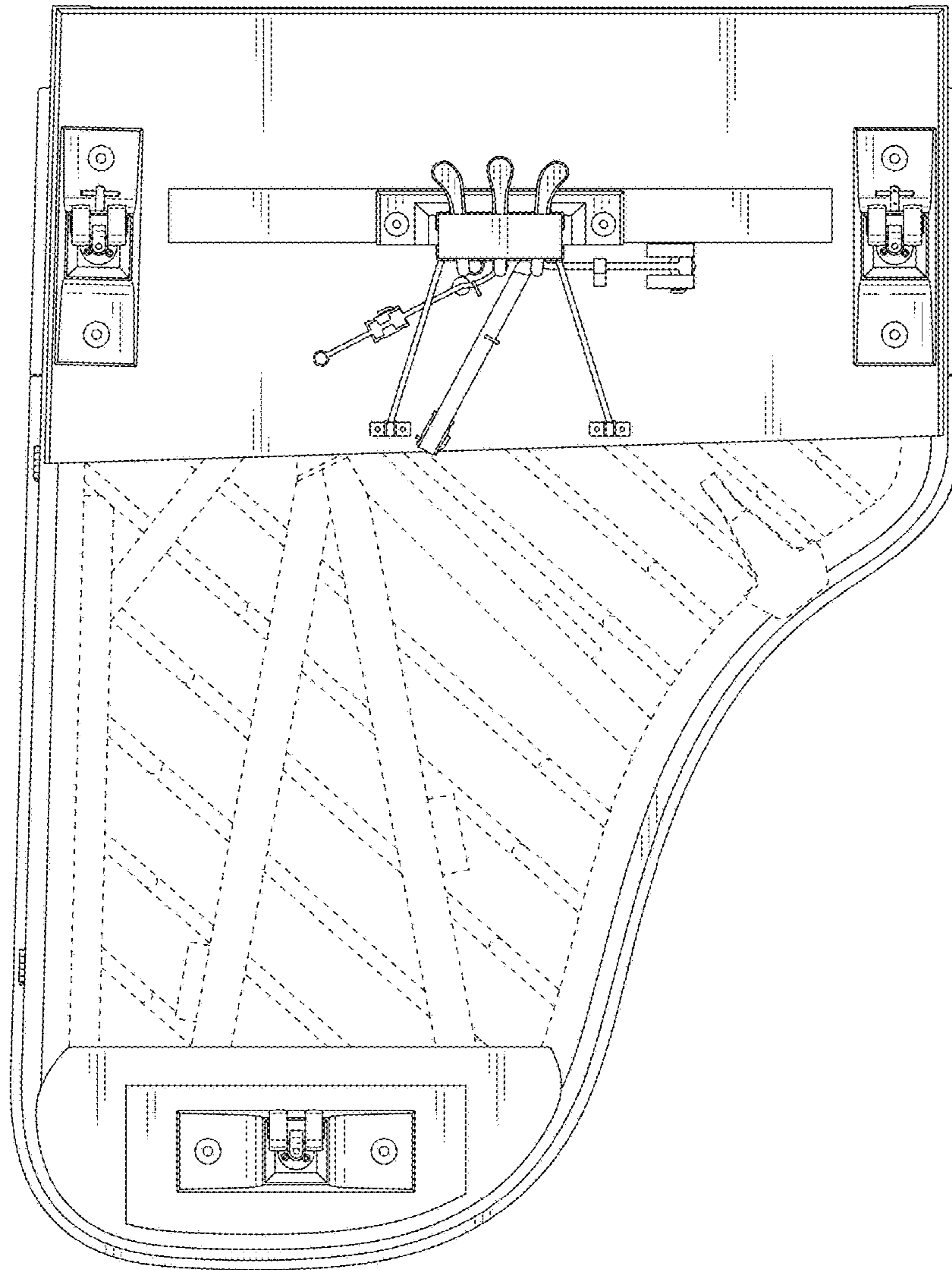


FIG. 14