



US00D837283S

(12) **United States Design Patent** (10) **Patent No.:** **US D837,283 S**
Tsai (45) **Date of Patent:** **** Jan. 1, 2019**

(54) **DJ MIXER**

2210/066; G10H 3/146; G10H 2230/021;
G10H 2230/015; G10H 2240/211

(71) Applicant: **MerchSource, LLC**, Irvine, CA (US)

See application file for complete search history.

(72) Inventor: **Tim Tsai**, Irvine, CA (US)

(56) **References Cited**

(73) Assignee: **MerchSource, LLC**, Irvine, CA (US)

U.S. PATENT DOCUMENTS

(**) Term: **15 Years**

D255,370 S *	6/1980	Hayama	D17/1
D348,686 S *	7/1994	Igo	D17/1
D396,876 S *	8/1998	Miura	D17/1
D400,912 S *	11/1998	Miyahara	D17/5
D602,914 S *	10/2009	Williamson	D14/203

(21) Appl. No.: **29/606,748**

(Continued)

(22) Filed: **Jun. 7, 2017**

OTHER PUBLICATIONS

(51) **LOC (11) Cl.** **17-01**

Youtube, U-Control UMA 25S Ultra-Slim 25-Key USB/MIDI Controller, posted Aug. 30, 2015, [online], [site visited Apr. 19, 2018]. Available from Internet, <URL: <https://www.youtube.com/watch?v=xIYXjYzKXQY>> (Year: 2015).*

(52) **U.S. Cl.**

USPC **D17/2**

(Continued)

(58) **Field of Classification Search**

USPC D17/1, 2, 3, 4, 5, 6, 7, 8, 9, 99;
D14/175, 188, 196-198, 217, 257, 258,
D14/162, 167-169, 203, 218, 356,
D14/399-401, 412-416, 454-457, 496;
D21/405, 409, 586

Primary Examiner — Sheryl Lane
Assistant Examiner — Samantha N Wood
(74) *Attorney, Agent, or Firm* — Avyno Law P.C.

CPC G09B 15/00; G09B 15/08; G10C 3/00;
G10C 3/02; G10C 3/04; G10C 3/08;
G10C 3/10; G10C 3/12; G10C 3/16;
G10C 3/26; G10C 1/00; G10C 1/02;
G10C 1/04; G10C 5/00; G10C 5/005;
G10H 1/00; G10H 1/006; G10H 1/0008;
G10H 1/32; G10H 1/38; G10H 1/0091;
G10H 1/34; G10H 1/348; G10H 1/02;
G10H 1/46; G10H 1/0025; G10H 1/0058;
G10H 1/28; G10H 1/342; G10H 1/36;
G10H 1/383; G10H 1/0575; G10H 1/18;
G10H 1/06; G10H 1/386; G10H 1/0083;
G10H 1/0033; G10H 7/008; G10H 7/02;
G10H 2220/106; G10H 2220/096; G10H
2220/101; G10H 2220/201; G10H
2220/241; G10H 2210/095; G10H

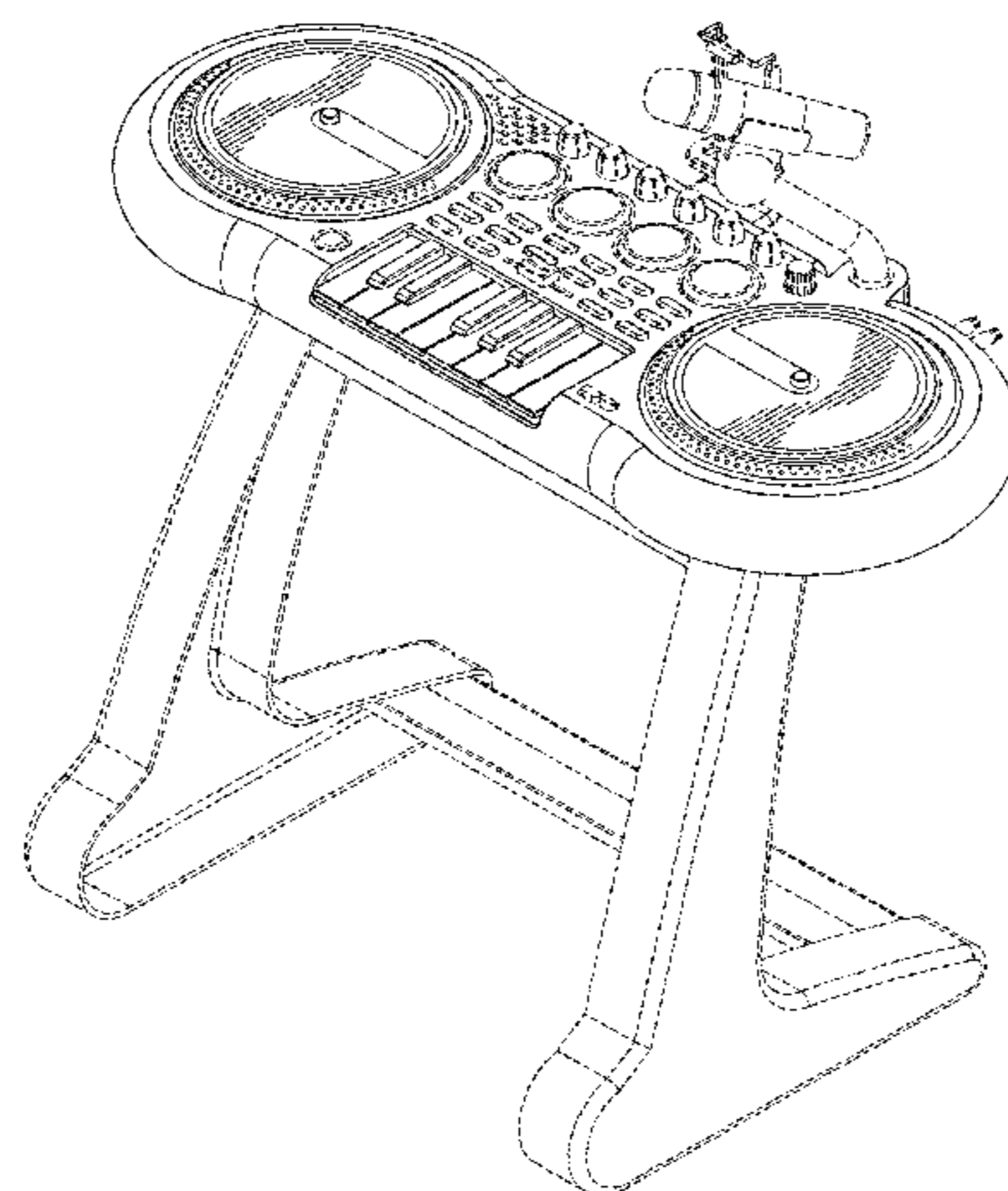
(57) **CLAIM**

I claim the ornamental design for DJ mixer, as shown and described.

DESCRIPTION

FIG. 1 is a front perspective view of a DJ mixer.
FIG. 2 is a rear perspective view of the DJ mixer of FIG. 1.
FIG. 3 is a front view of the of the DJ mixer of FIG. 1.
FIG. 4 is a rear view of the of the DJ mixer of FIG. 1.
FIG. 5 is a side view of the left side of the of the DJ mixer of FIG. 1.
FIG. 6 is a side view of the right side of the DJ mixer of FIG. 1.
FIG. 7 is a top view of the of the DJ mixer of FIG. 1; and,
FIG. 8 is a bottom view of the of the DJ mixer of FIG. 1.

(Continued)



The dashed lines in various figures are for illustrative purposes only and form no part of the claimed design.

1 Claim, 7 Drawing Sheets

(56)

References Cited

U.S. PATENT DOCUMENTS

D624,053	S	*	9/2010	Williamson	D14/203
D628,981	S	*	12/2010	Mazur	D14/203
D666,172	S	*	8/2012	Iijima	D14/217
2013/0123961	A1	*	5/2013	Roman	G10H 1/0008 700/94

OTHER PUBLICATIONS

Sonic Eletronix, Ion Discover DJ (ICUE3), review Feb. 17, 2012, [online], [site visited Apr. 19, 2018]. Available from Internet, <URL: https://www.sonicelectronix.com/item_21147_ION-Discover-DJ-ICUE3.html> (Year: 2012).*

Youtube, Electronic SMI-1340B Keyboard DJ Mixer, posted Oct. 29, 2012, [online], [site visited Apr. 19, 2018]. Available from Internet, <URL: https://www.youtube.com/watch?v=ex4AtDXWM_Y> (Year: 2012).*

Amazon, Childrens Electronic Keyboard, first available Jan. 28, 2015, [online], [site visited Apr. 19, 2018]. From Internet, <URL: https://www.amazon.co.uk/Childrens-Recording-Electronic-Keyboard-Microphone/dp/B00SV4K0CA/ref=sr_1_95?ie=UTF8&qid=1524162227&sr=8-95&keywords=kids+keyboard+and+microphone> (Year: 2015).*

* cited by examiner

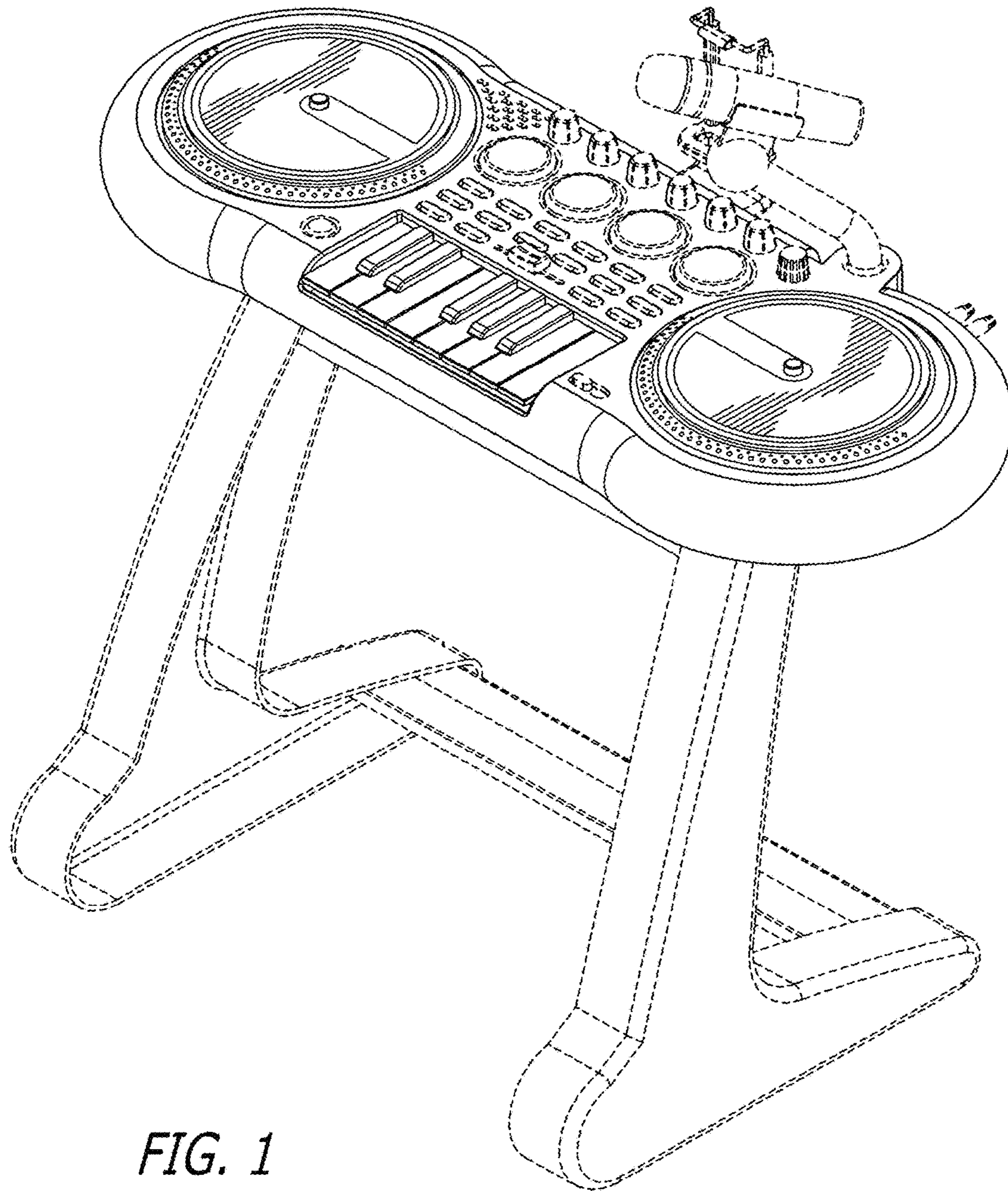


FIG. 1

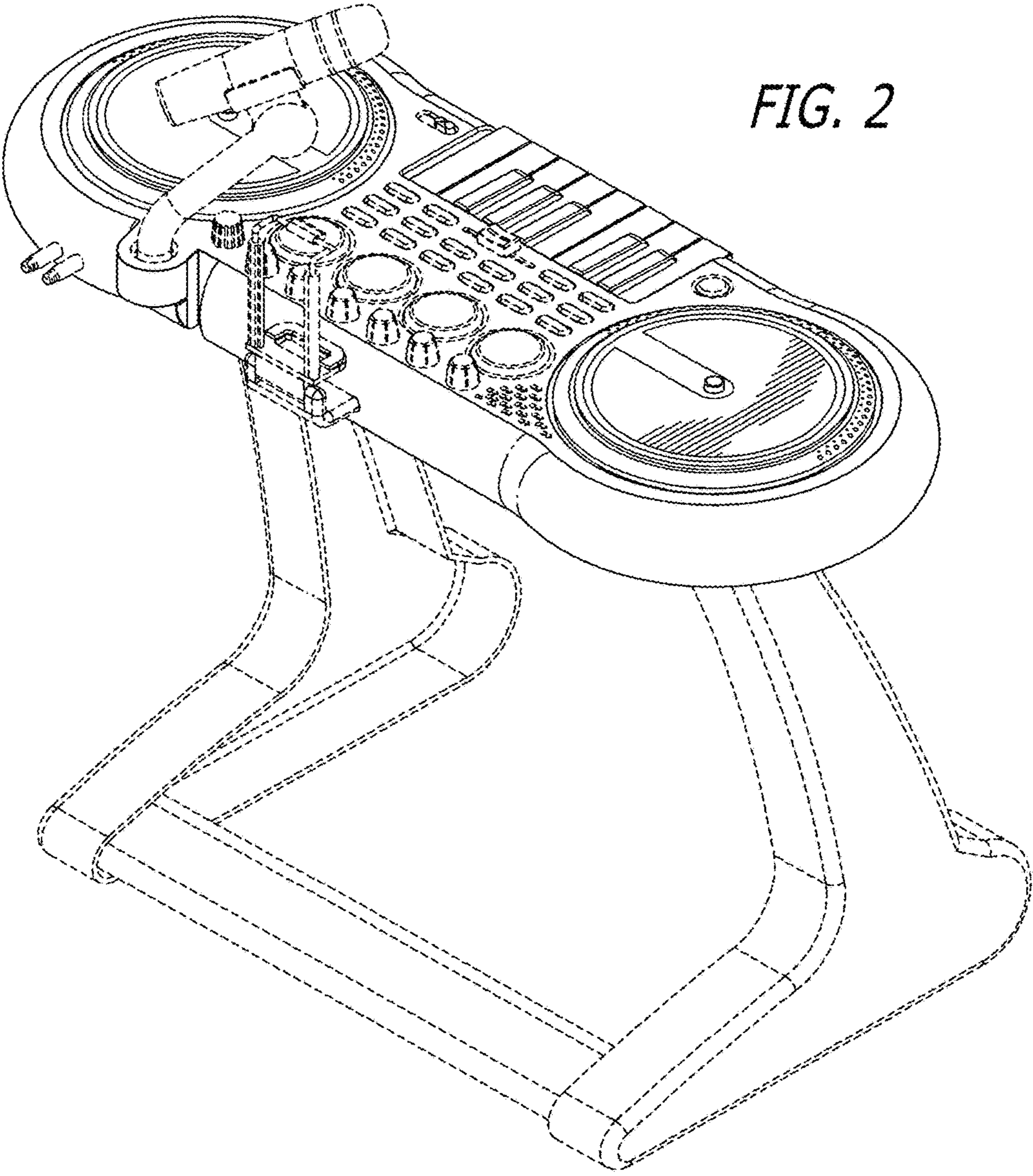


FIG. 2

FIG. 3

