



US00D837280S

(12) **United States Design Patent**
Lundin

(10) **Patent No.:** **US D837,280 S**
(45) **Date of Patent:** **** Jan. 1, 2019**

(54) **BELT HOLDER FOR CAMERA LENSES**

(71) Applicant: **Frii Designs AB**, Solna (SE)

(72) Inventor: **Jonas Lundin**, Lund (SE)

(73) Assignee: **FR11 Designs AB**, Solna (SE)

(**) Term: **15 Years**

(21) Appl. No.: **35/503,744**

(22) Filed: **Apr. 20, 2017**

(80) **Hague Agreement Data**

Int. Filing Date: **Apr. 20, 2017**

Int. Reg. No.: **DM/097721**

Int. Reg. Date: **Apr. 20, 2017**

Int. Reg. Pub. Date: **Oct. 6, 2017**

(51) **LOC (11) Cl.** **16-05**

(52) **U.S. Cl.**

USPC **D16/237**

CPC **G03B 17/02** (2013.01)

(58) **Field of Classification Search**

USPC D16/134, 136, 200, 204, 208, 213–219,
D16/235, 237–250; D14/203, 209, 217,
D14/218, 224, 250–253, 345, 440, 449;
D8/363, 373, 394

CPC G03B 17/02; G03B 17/04; G03B 17/14;
G03B 21/20–21/2066; G03B
15/041–15/0436; G03B 17/56; F16M
11/32

See application file for complete search history.

(56) **References Cited**

U.S. PATENT DOCUMENTS

1,971,434 A * 8/1934 Trautmann G02B 7/023
359/819
D339,599 S * 9/1993 Tiffen D16/219
5,452,829 A * 9/1995 King G08B 3/1058
224/242
5,862,428 A * 1/1999 An G03B 17/12
359/889
6,435,339 B1 * 8/2002 Kroupa A45C 11/005
206/38

D529,065 S * 9/2006 Watanabe D16/134
D546,863 S * 7/2007 Ito D16/134
D565,621 S * 4/2008 Yamane D16/202
8,029,199 B1 * 10/2011 Kimball G03B 17/566
396/529
D649,993 S * 12/2011 Ding D16/134
8,281,923 B2 * 10/2012 Elenes B65D 25/287
206/316.2
8,540,104 B2 * 9/2013 Elenes B65D 25/287
215/341
D694,264 S * 11/2013 Reinhardt D10/46
D719,605 S * 12/2014 Dordick D16/245
D757,150 S * 5/2016 Monroe D16/237
D757,530 S * 5/2016 Straney D8/394
D788,205 S * 5/2017 Jankura D16/237
2012/0174382 A1 * 7/2012 Dering F16M 11/041
29/525.01

OTHER PUBLICATIONS

<https://petapixel.com/2017/04/22/trilens-triple-lens-holder-wear-belt/> (Year: 2017).*

* cited by examiner

Primary Examiner — Richard E Chilchot
(74) *Attorney, Agent, or Firm* — Brundlidge & Stanger,
P.C.

(57) **CLAIM**

The ornamental design for a belt holder for camera lenses,
as shown and described.

DESCRIPTION

1. Belt holder for camera lenses

1.1 : Perspective

1.2 : Perspective

1.3 : Back

1.4 : Bottom

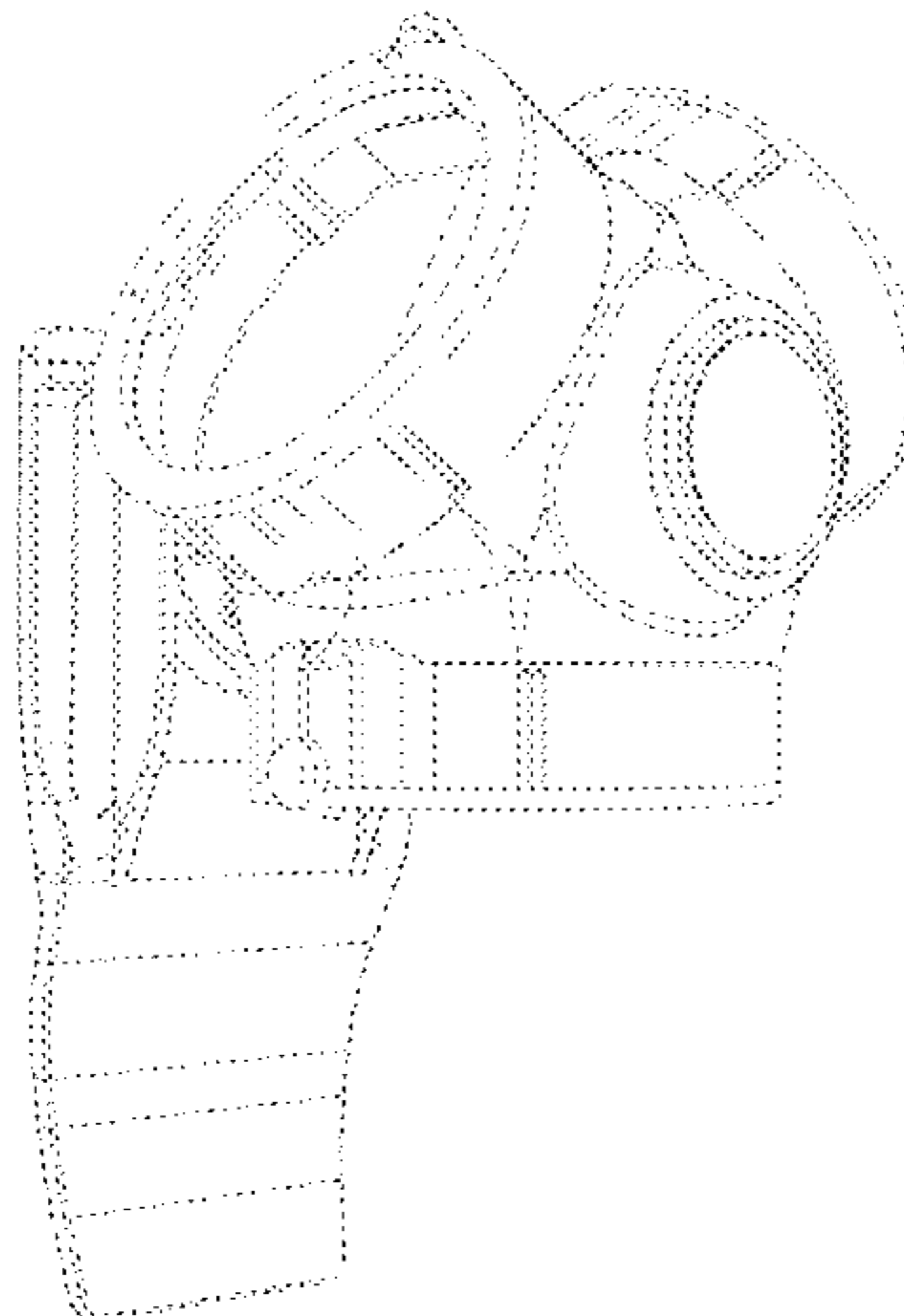
1.5 : Front

1.6 : Left

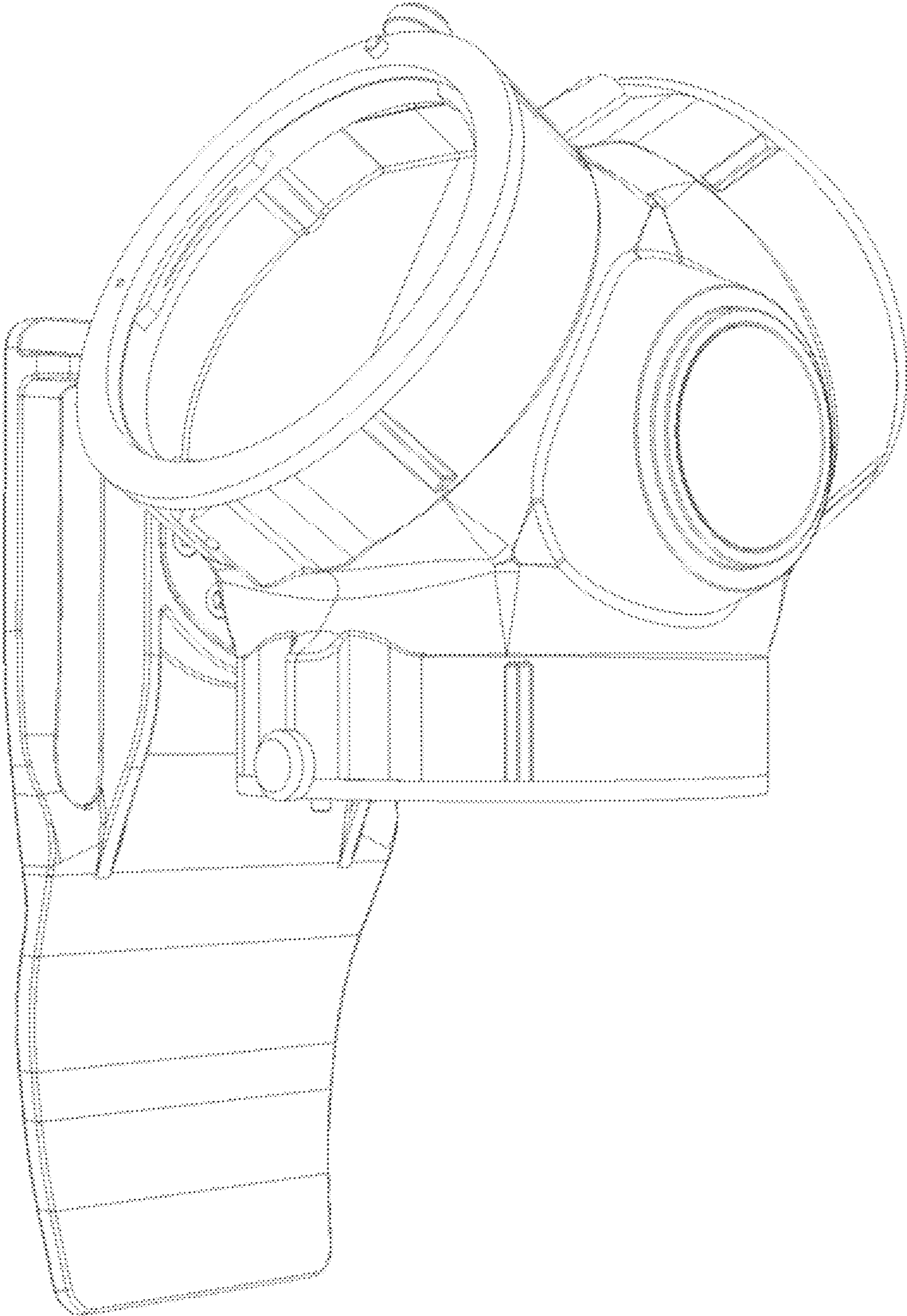
1.7 : Right

1.8 : Top

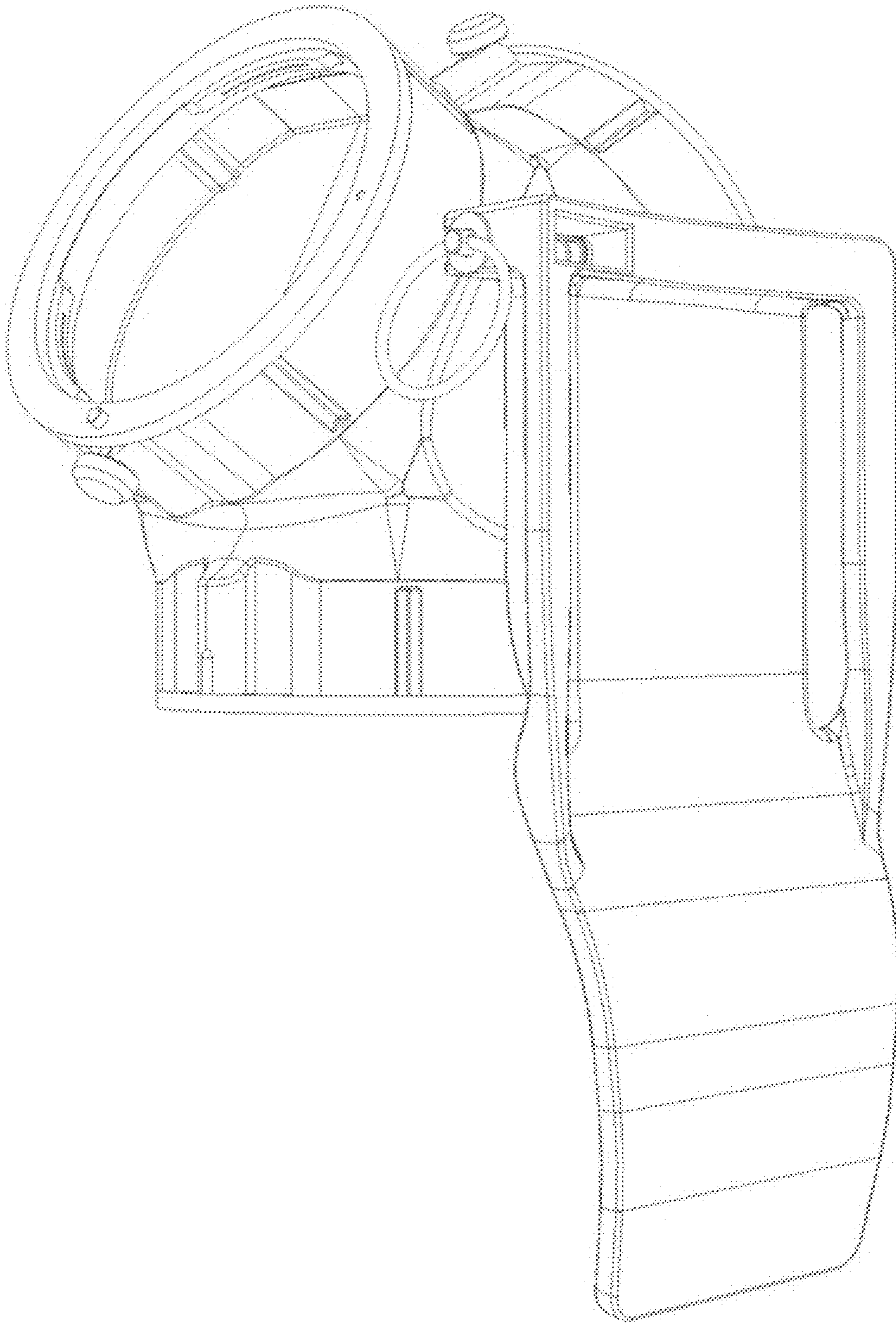
1 Claim, 8 Drawing Sheets



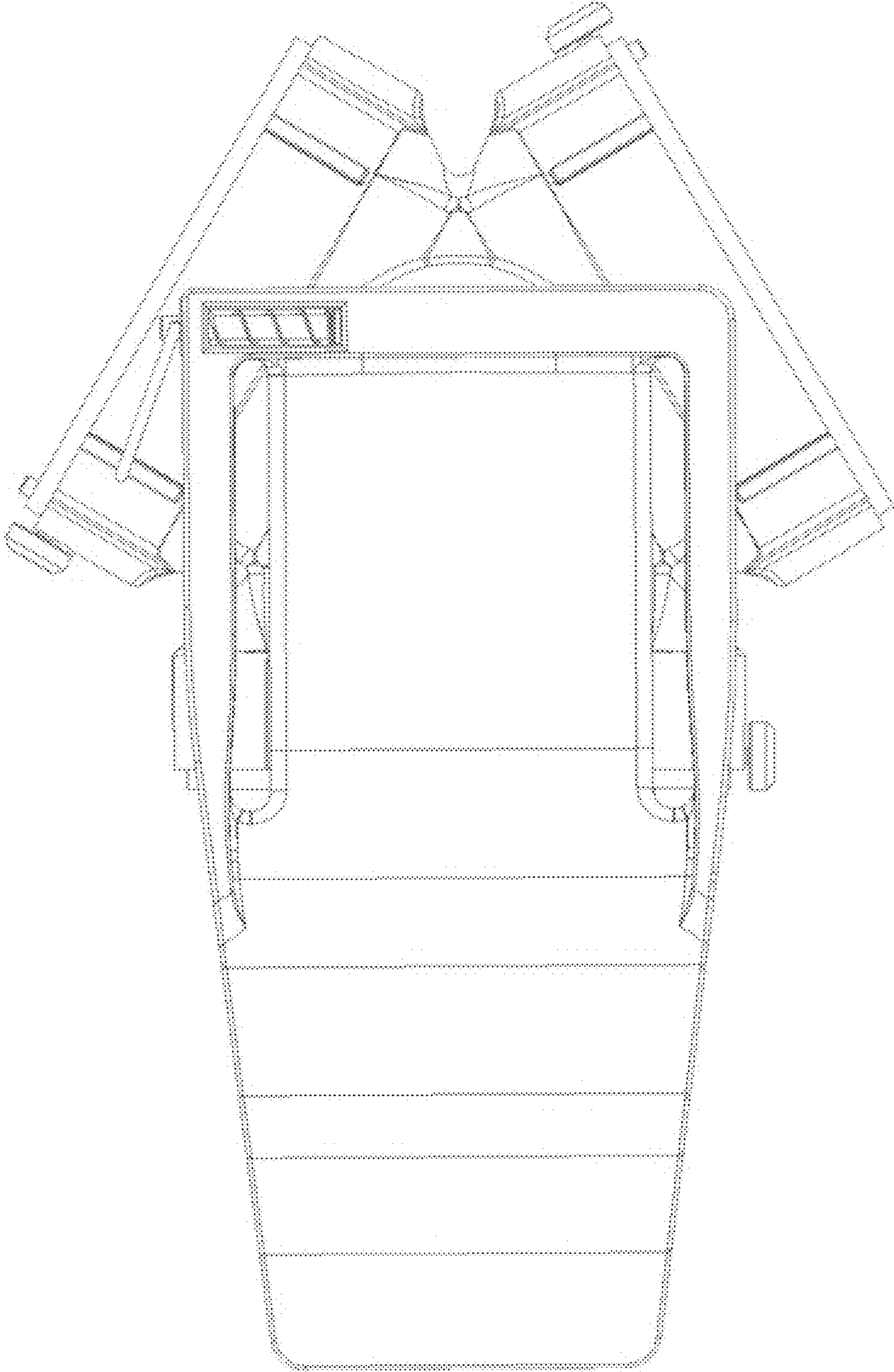
1.1



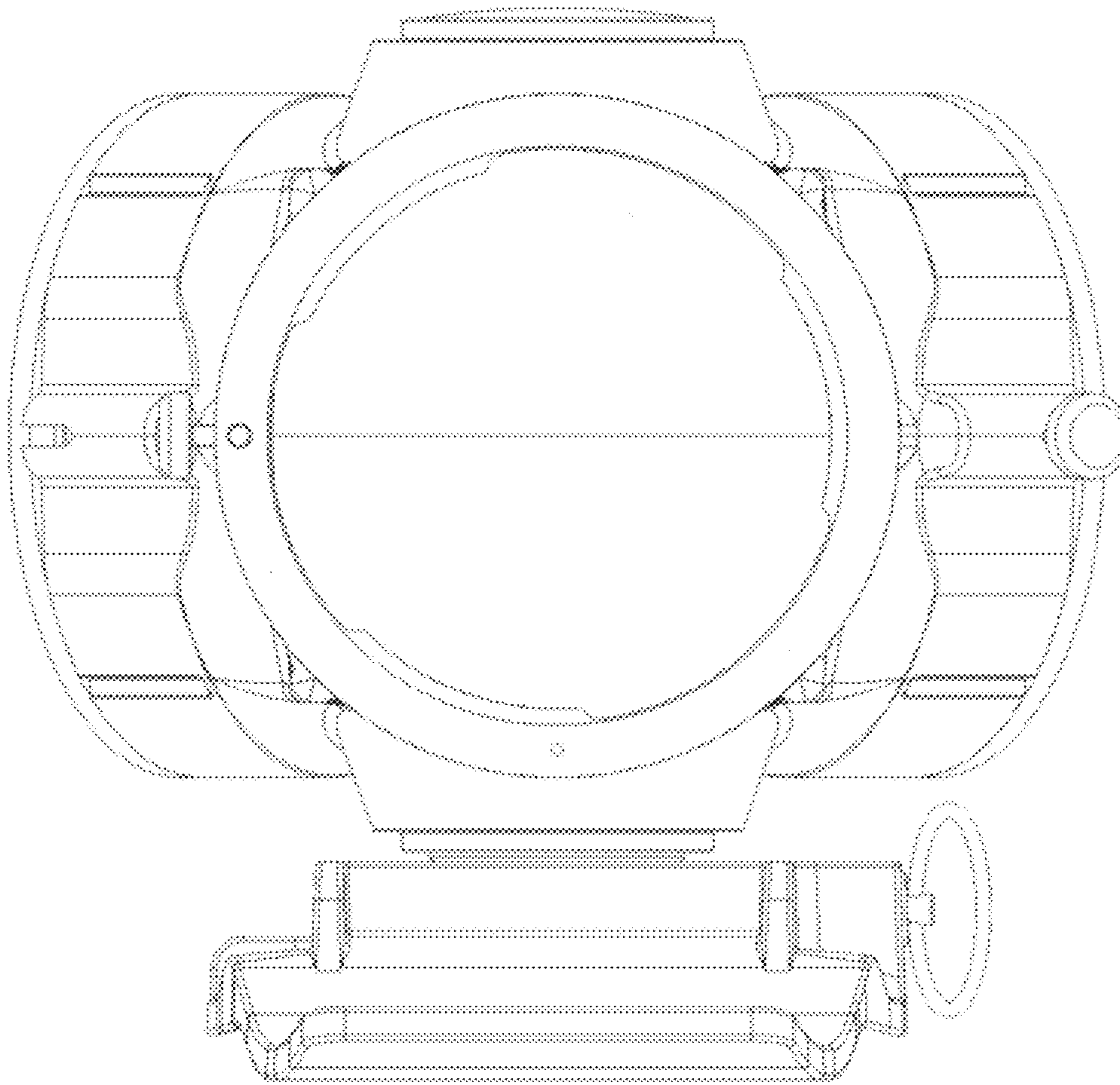
1.2



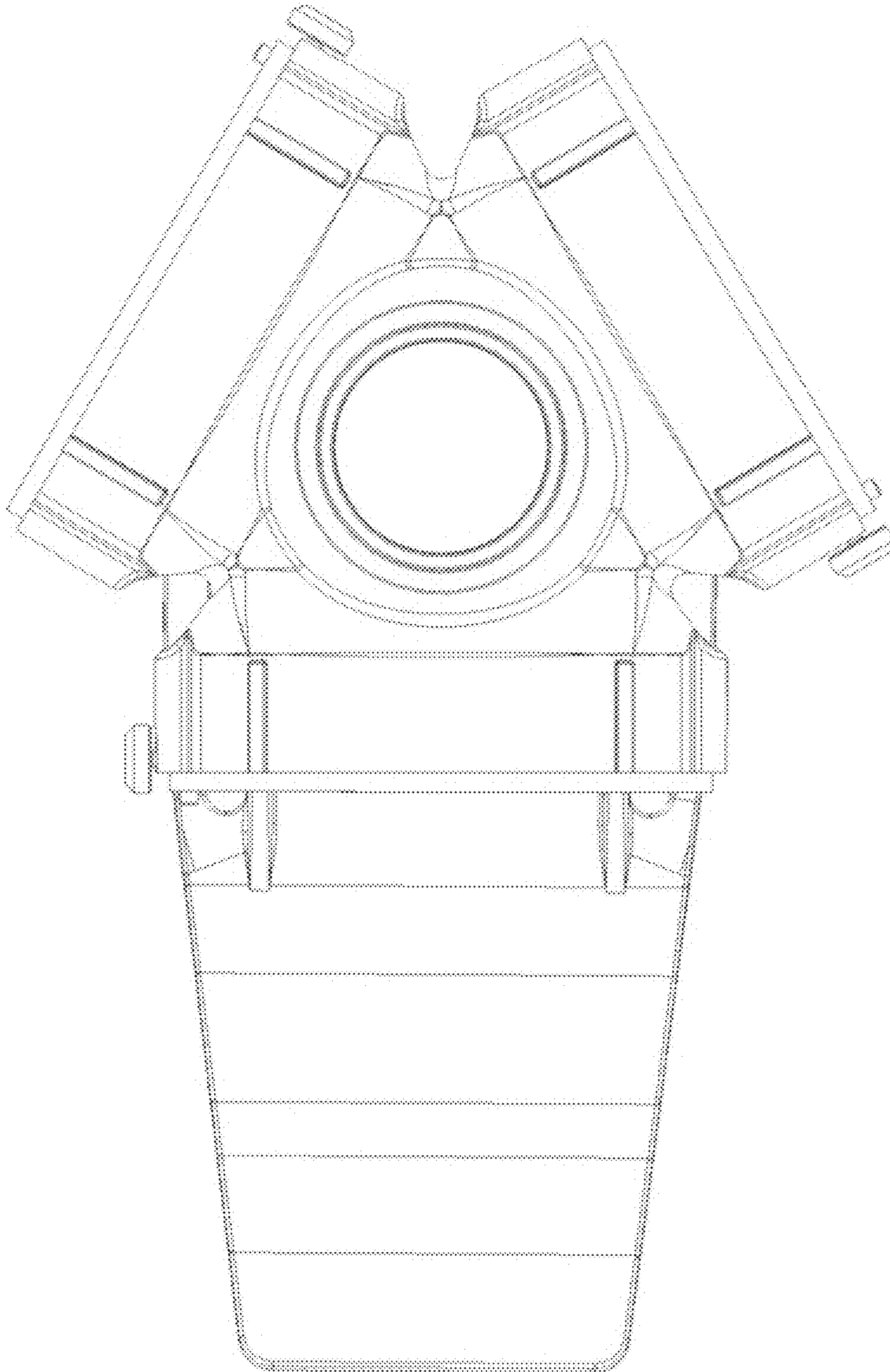
1.3



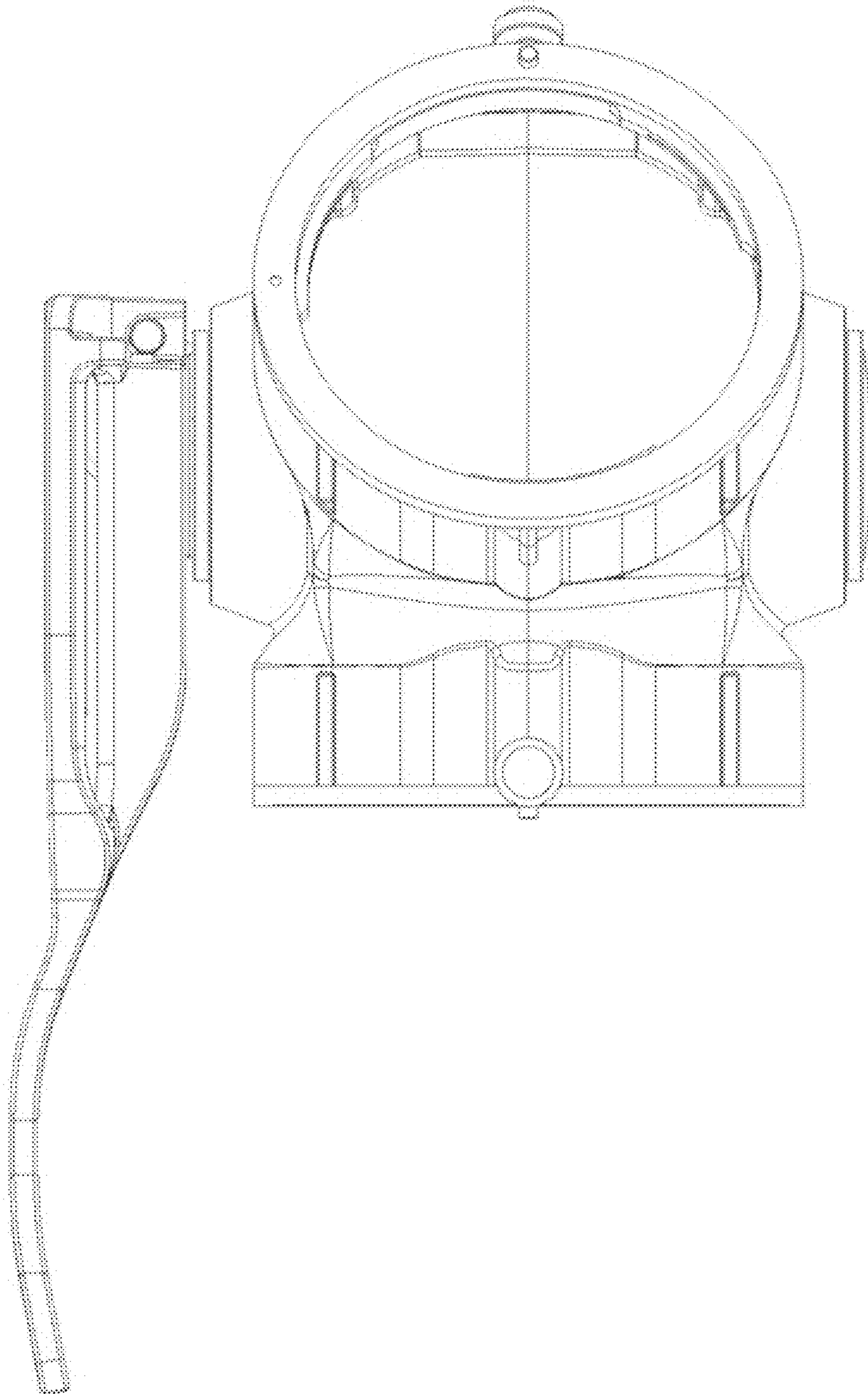
1.4



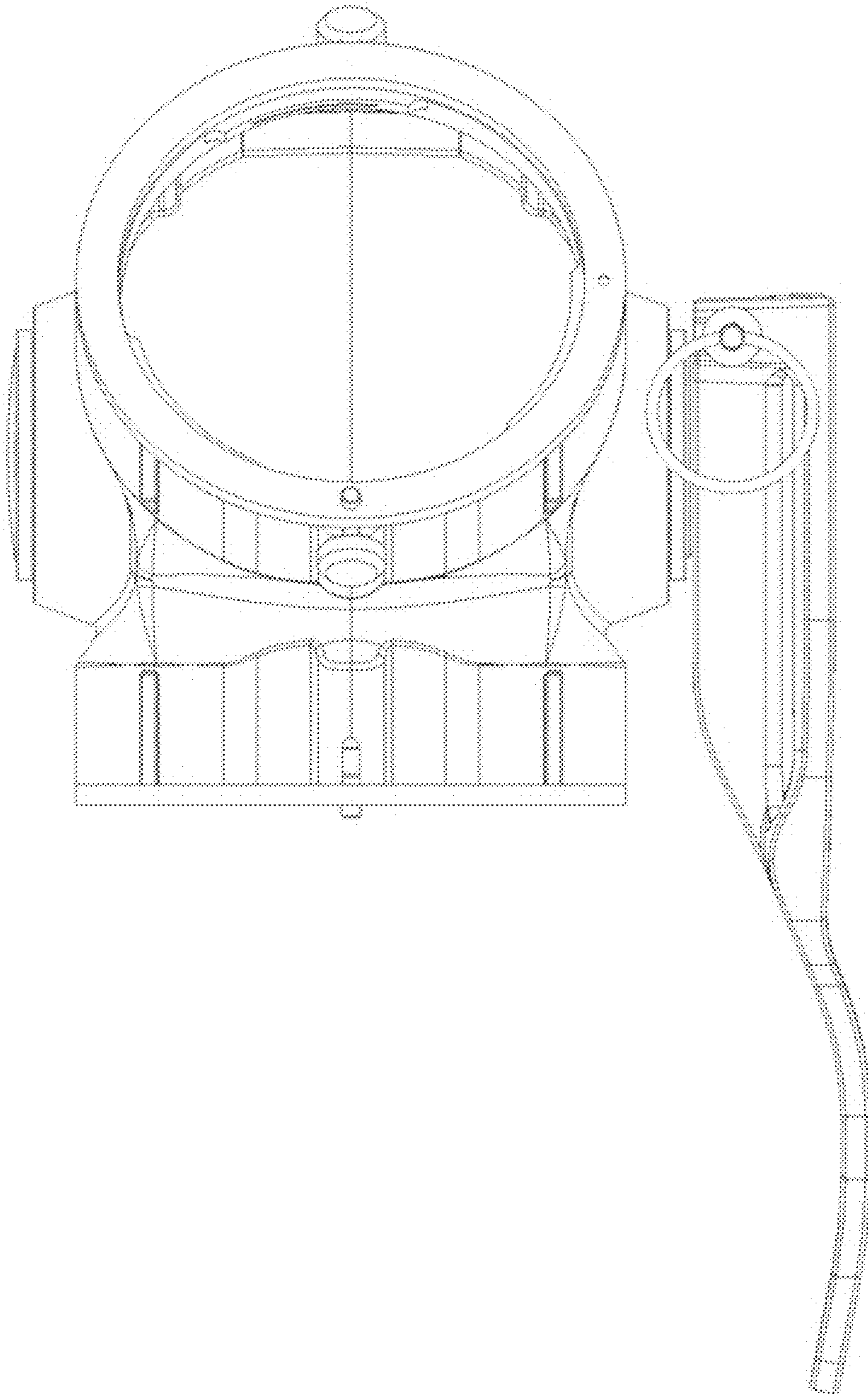
1.5



1.6



1.7



1.8

