



US00D837279S

(12) **United States Design Patent** (10) **Patent No.:** **US D837,279 S**  
**Penn** (45) **Date of Patent:** **\*\* \*Jan. 1, 2019**

(54) **CAMERA BLOCK APPARATUS**  
(71) Applicant: **Kaseem George Penn**, Kissimmee, FL (US)  
(72) Inventor: **Kaseem George Penn**, Kissimmee, FL (US)

D633,507 S \* 3/2011 Nelson ..... D14/484.1  
D669,112 S \* 10/2012 Gustaveson ..... D16/208  
D693,332 S \* 11/2013 Lee ..... D13/168  
D732,933 S \* 6/2015 Jansen ..... D8/356  
D739,360 S \* 9/2015 Shippen ..... D13/168  
D740,106 S \* 10/2015 Cooper ..... D8/356

(Continued)

(\* ) Notice: This patent is subject to a terminal disclaimer.

(\*\*) Term: **15 Years**

(21) Appl. No.: **29/568,388**

(22) Filed: **Jun. 17, 2016**

**Related U.S. Application Data**

(63) Continuation-in-part of application No. 29/489,813, filed on May 2, 2014, now abandoned.

(51) **LOC (11) Cl.** ..... **16-05**

(52) **U.S. Cl.**  
USPC ..... **D16/237**

(58) **Field of Classification Search**

USPC ..... D16/208, 213–219, 235, 237–250;  
D14/217, 229, 250–253; D8/363, 373,  
D8/394

CPC ..... G03B 17/02–17/04; G03B 17/14; G03B  
17/56; G03B 17/561–17/568; G03B  
21/20; G02B 7/00–7/002; F16M 11/02;  
F16M 11/04; F16M 11/20; F16M 11/40

See application file for complete search history.

(56) **References Cited**

**U.S. PATENT DOCUMENTS**

D308,467 S \* 6/1990 Fenton ..... D8/367  
6,328,462 B1 \* 12/2001 De La Rosa ..... B60Q 1/2665  
362/217.05  
D527,667 S \* 9/2006 Kim ..... D10/116.1  
D570,395 S \* 6/2008 Kanno ..... D16/239  
D584,739 S \* 1/2009 Ahlgren ..... D14/496  
D631,483 S \* 1/2011 Nelson ..... D14/484.1

**FOREIGN PATENT DOCUMENTS**

WO RGN D095351-001 \* 12/2016  
WO RGN D095351-002 \* 12/2016

**OTHER PUBLICATIONS**

Webcam Cover—Silver Metal. [online] Published date unknown. Retrieved on Jun. 13, 2017 from <URL: <https://www.amazon.com/Webcam-Cover-Macbooks-Smartphones-Professional/dp/B018N0LCLE>>.\*

(Continued)

*Primary Examiner* — Karen S Acker

*Assistant Examiner* — Omeed Agilee

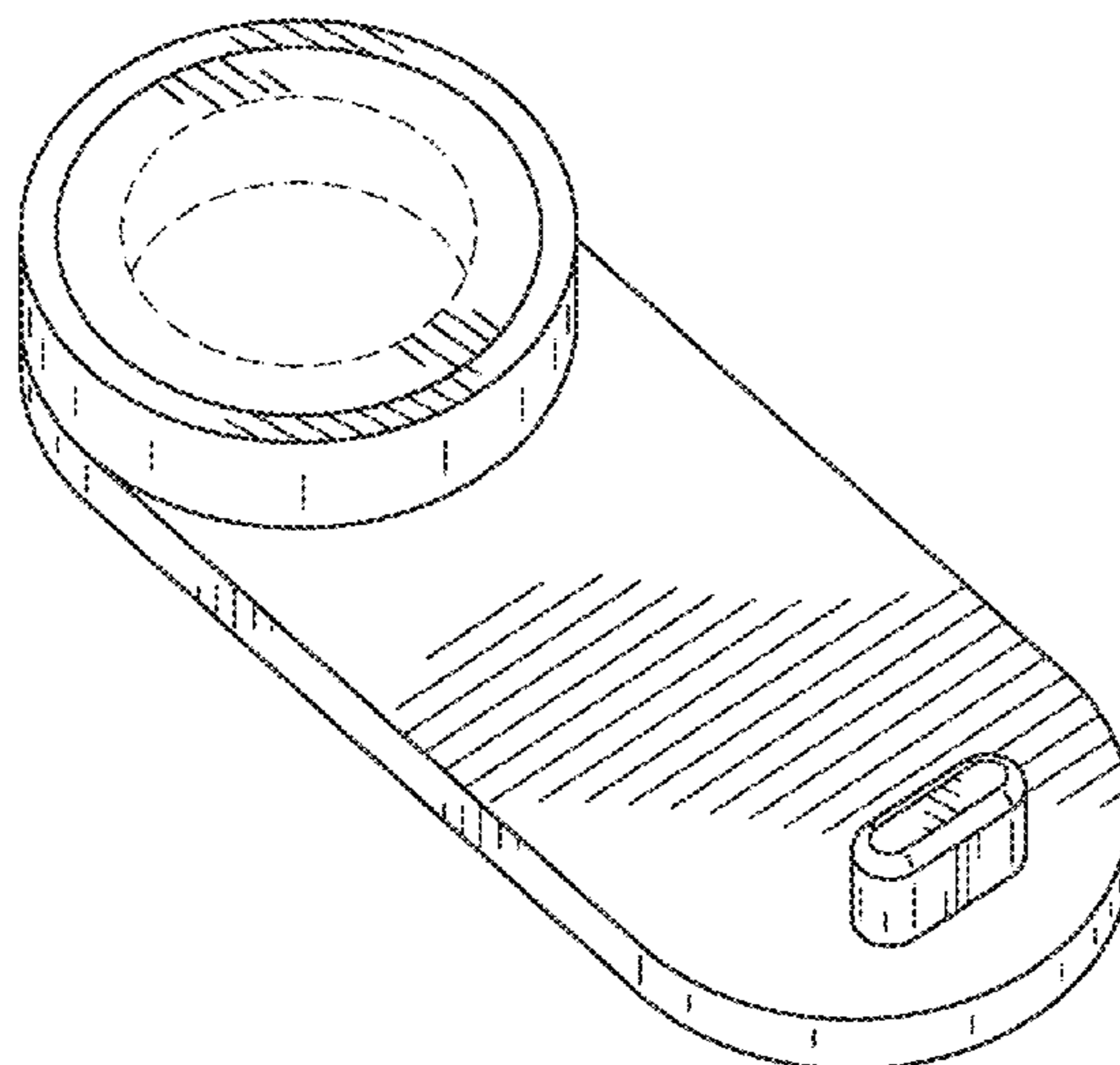
(57) **CLAIM**

I claim the ornamental design for a camera block apparatus, as shown and described.

**DESCRIPTION**

FIG. 1 is a top, rear, and right perspective view of the camera block apparatus, showing my new design; FIG. 2 is a front, bottom, and left perspective view thereof; FIG. 3 is a top plan view thereof; FIG. 4 is a bottom plan view thereof; FIG. 5 is a rear elevational view thereof; FIG. 6 is a front elevational view thereof; and, FIG. 7 is a right elevational view thereof and the left elevational view is a mirror image of FIG. 7. The broken lines and the areas within them depict portions of the camera block apparatus that form no part of the claimed design.

**1 Claim, 3 Drawing Sheets**



(56)

**References Cited**

U.S. PATENT DOCUMENTS

D745,469 S \* 12/2015 Farnum ..... D13/156  
D758,827 S \* 6/2016 Grasselli ..... D8/315  
D759,645 S \* 6/2016 Penn ..... D14/250  
D764,475 S \* 8/2016 Penn ..... D14/440  
D767,567 S \* 9/2016 McWilliam ..... D14/358  
D767,568 S \* 9/2016 McWilliam ..... D14/358  
D773,432 S \* 12/2016 Rowan ..... D14/188  
D778,132 S \* 2/2017 Fischer ..... D8/17

OTHER PUBLICATIONS

Webcam Cover—Black Magnet Slider. [online] Published date unknown. Retrieved on Jun. 13, 2017 from <URL: <http://www.protechprivacy.com/webcam-cover/webcam-cover-black-magnet-slider-1>>.\*

\* cited by examiner

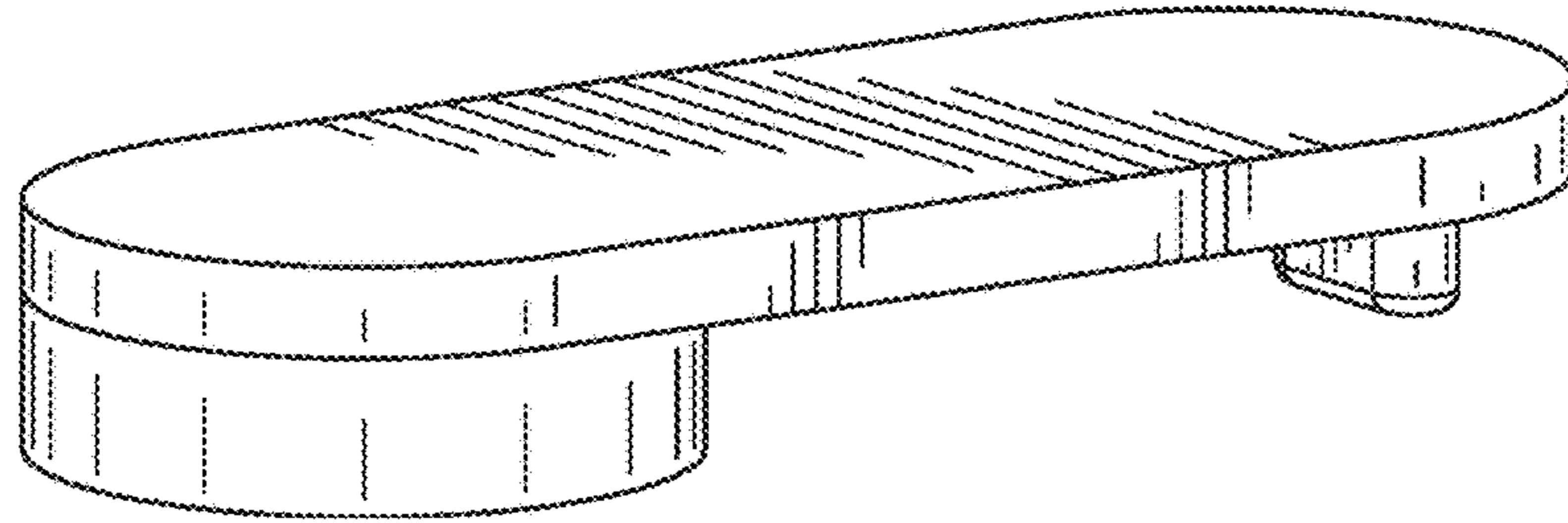


FIG. 1

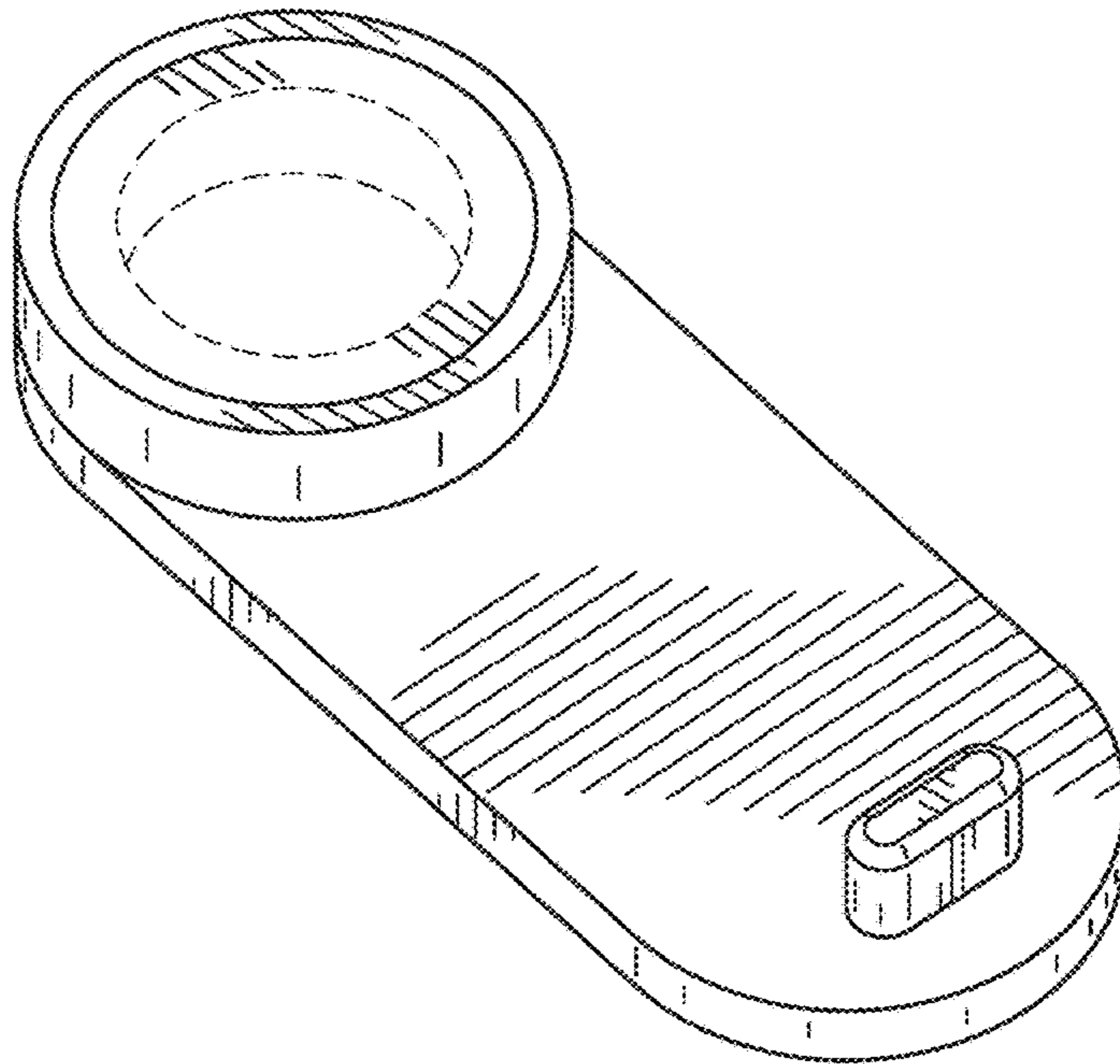


FIG. 2

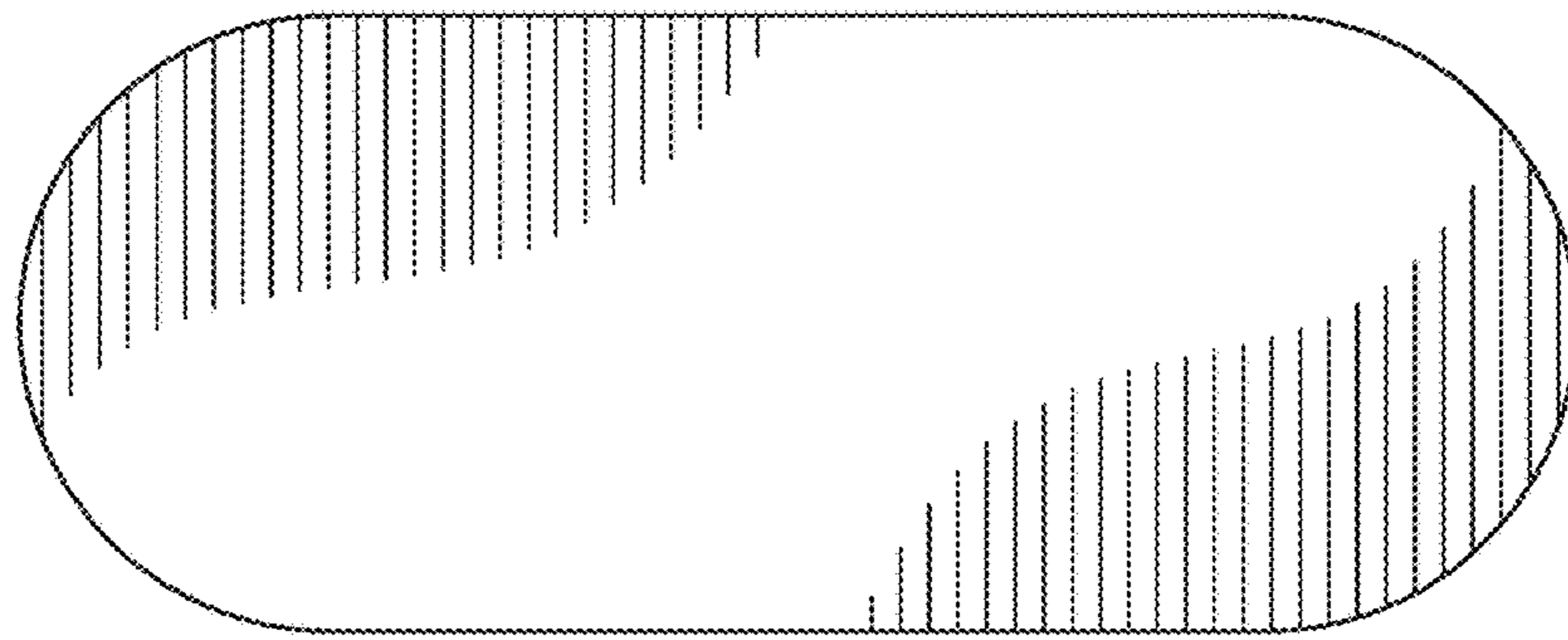


FIG. 3

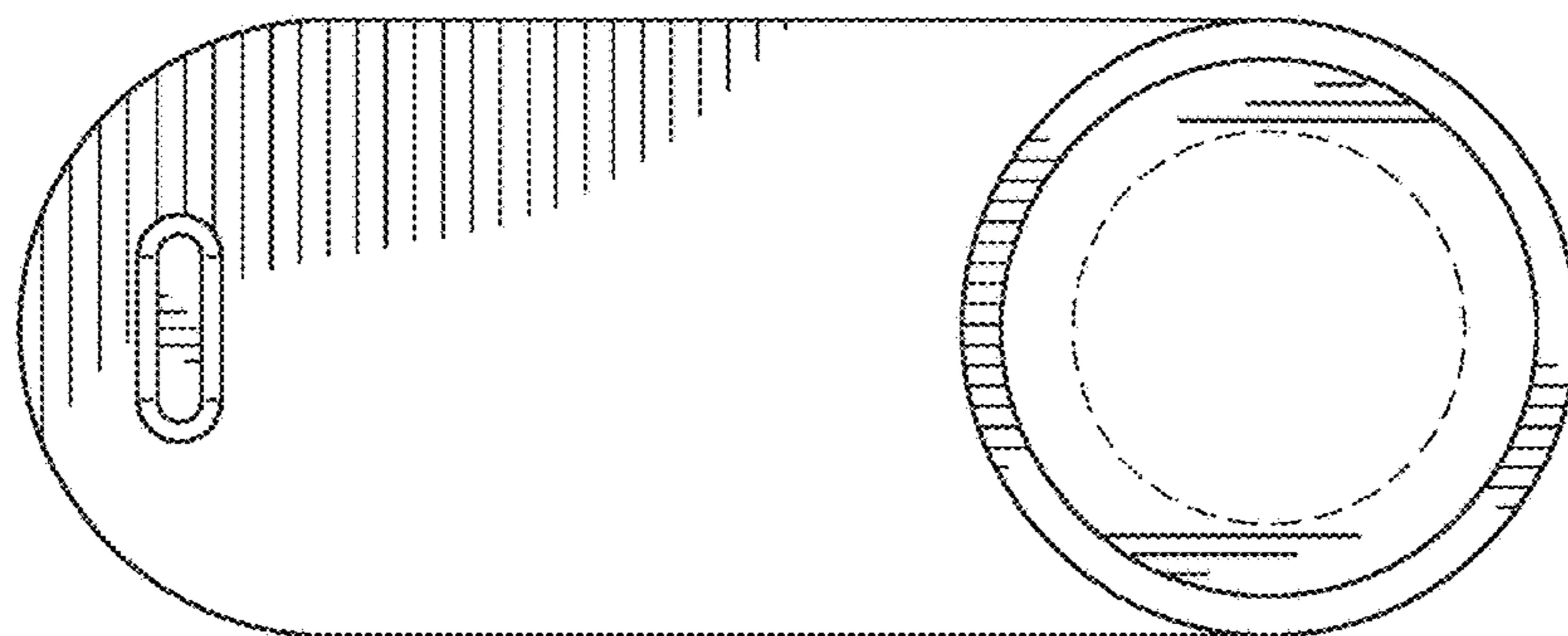


FIG. 4

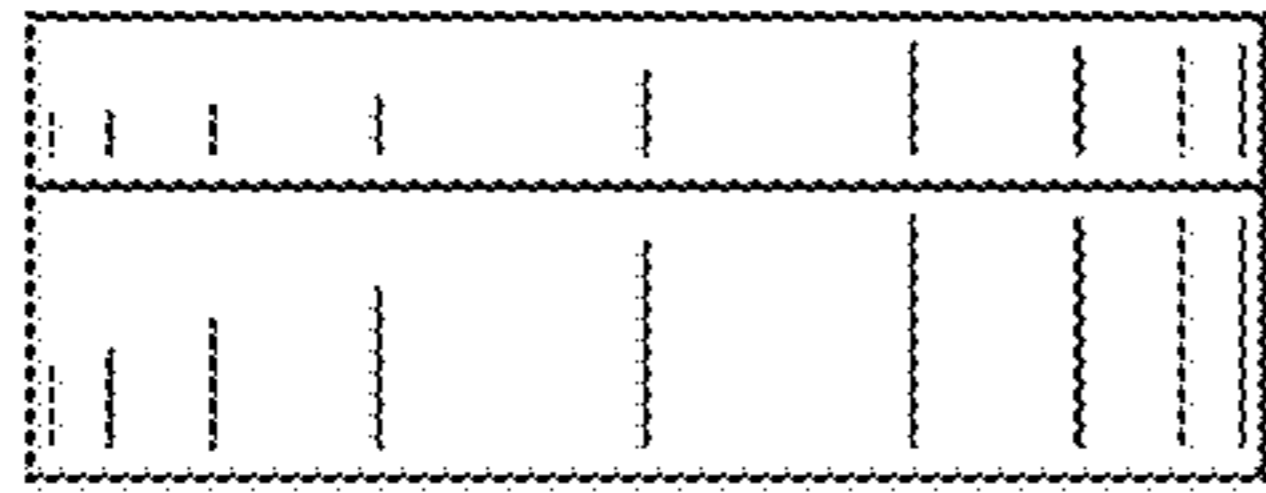


FIG. 5

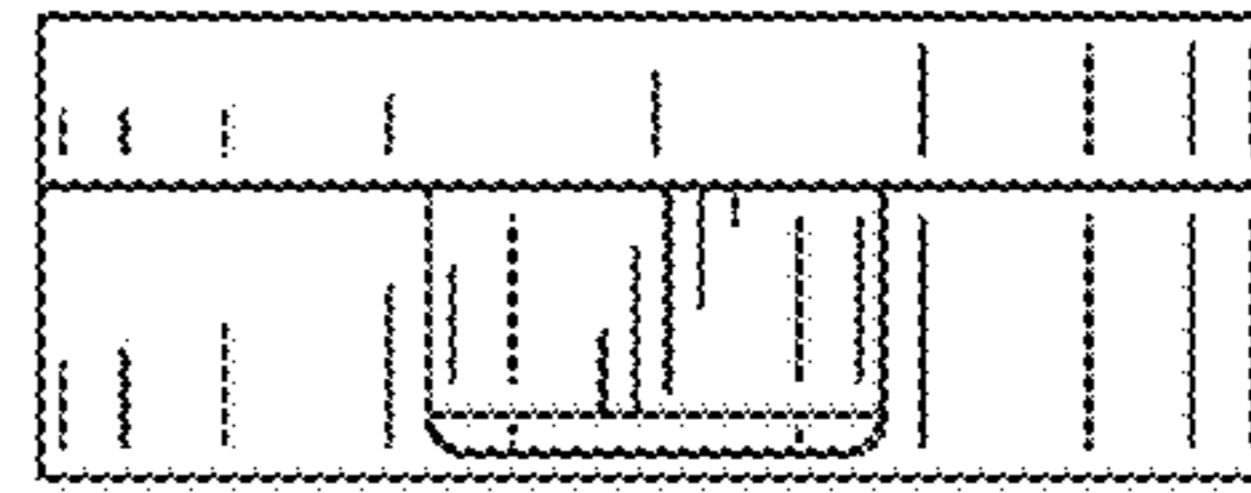


FIG. 6

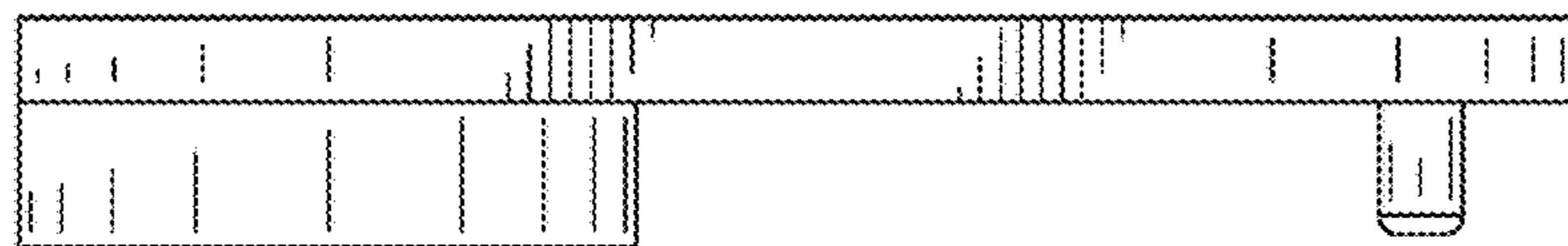


FIG. 7