



US00D837277S

(12) **United States Design Patent**  
**Ikegame**

(10) **Patent No.:** **US D837,277 S**  
(45) **Date of Patent:** **\*\* Jan. 1, 2019**

(54) **LENS FOR CAMERA**

(71) Applicant: **FUJIFILM Corporation**, Tokyo (JP)

(72) Inventor: **Haruka Ikegame**, Saitama (JP)

(73) Assignee: **FUJIFILM Corporation**, Minato-Ku,  
Tokyo (JP)

(\*\*) Term: **15 Years**

(21) Appl. No.: **29/647,004**

(22) Filed: **May 9, 2018**

**Related U.S. Application Data**

(62) Division of application No. 29/595,282, filed on Feb. 27, 2017.

(30) **Foreign Application Priority Data**

Aug. 31, 2016 (JP) ..... 2016-018648  
Aug. 31, 2016 (JP) ..... 2016-018650  
Aug. 31, 2016 (JP) ..... 2016-018651

(51) **LOC (11) Cl.** ..... **16-05**

(52) **U.S. Cl.**  
USPC ..... **D16/219**

(58) **Field of Classification Search**  
USPC ..... D16/200–220, 131  
CPC ... G02B 7/02; G02B 7/04; G02B 7/14; G02B  
3/14; G03B 17/00; G03B 17/02; G03B  
17/56; G03B 17/04; G03B 17/14; G03B  
15/03; G03B 9/08; H04N 5/2251; H04N  
5/2252; H04N 5/2253; H04N 5/2254;  
H04N 7/00; H04N 2101/00; F16M 13/00  
See application file for complete search history.

(56) **References Cited**

**U.S. PATENT DOCUMENTS**

D262,713 S 1/1982 Kato  
D303,976 S \* 10/1989 Kimura ..... D16/134

D305,769 S 1/1990 Swayze  
D315,357 S 3/1991 Fukutomi  
D412,922 S 8/1999 Sekine  
D449,322 S \* 10/2001 Ono ..... D16/134  
D557,304 S 12/2007 Hayashi  
D562,863 S 2/2008 Yasutomi  
D562,864 S 2/2008 Yasutomi  
D573,167 S \* 7/2008 Kitera ..... D16/134  
D684,208 S 6/2013 Lee  
D688,292 S 8/2013 Koyama  
D696,709 S 12/2013 Sato  
D718,361 S 11/2014 Noh  
D737,360 S 8/2015 Jung  
D741,937 S 10/2015 Park  
D743,471 S 11/2015 Oh  
D744,025 S 11/2015 Oh  
D745,590 S 12/2015 Oh  
9,350,964 B2 \* 5/2016 Wu ..... H04N 5/2254  
D763,942 S 8/2016 Yoon  
D768,224 S 10/2016 Kim

(Continued)

*Primary Examiner* — Barbara Fox

*Assistant Examiner* — Mary C Ramirez

(74) *Attorney, Agent, or Firm* — Sughrue Mion, PLLC

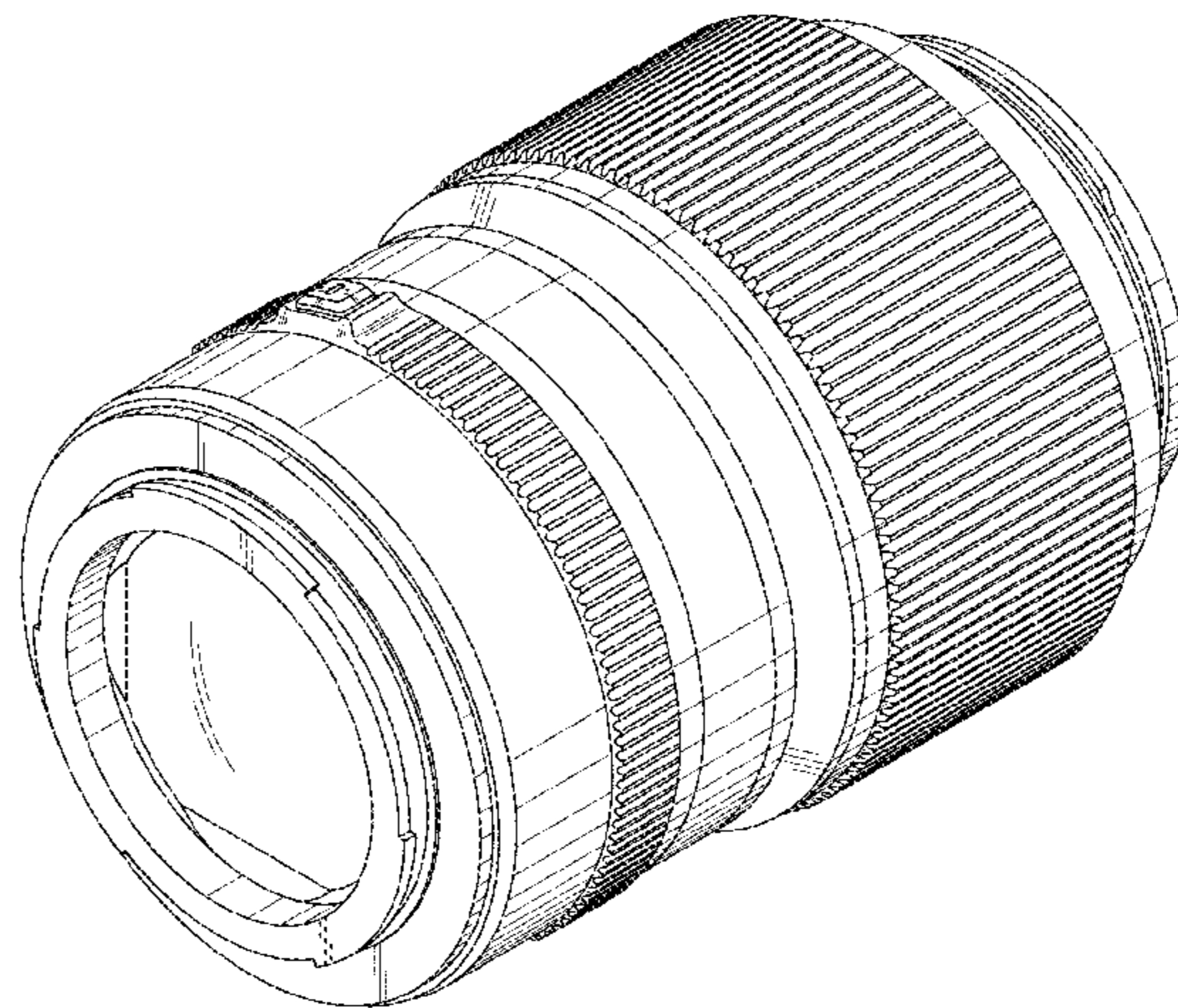
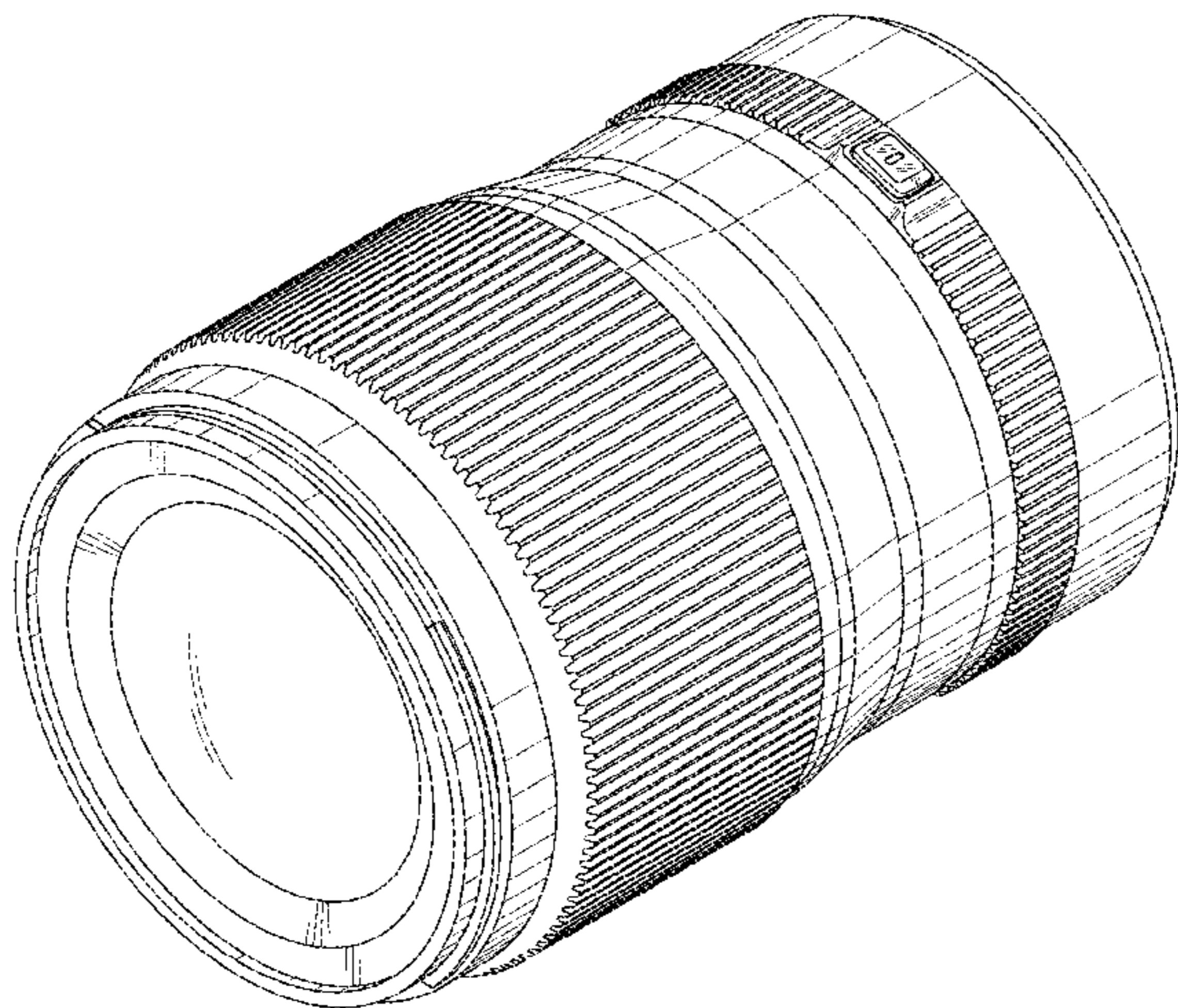
(57) **CLAIM**

The ornamental design for a lens for camera, as shown and described.

**DESCRIPTION**

FIG. 1 is a front perspective view of a lens for camera showing my new design;  
FIG. 2 is a rear perspective view thereof;  
FIG. 3 is a front view thereof;  
FIG. 4 is a rear view thereof;  
FIG. 5 is a plan view thereof;  
FIG. 6 is a bottom view thereof;  
FIG. 7 is a right side view thereof; and,  
FIG. 8 is a left side view thereof.

**1 Claim, 8 Drawing Sheets**



(56)

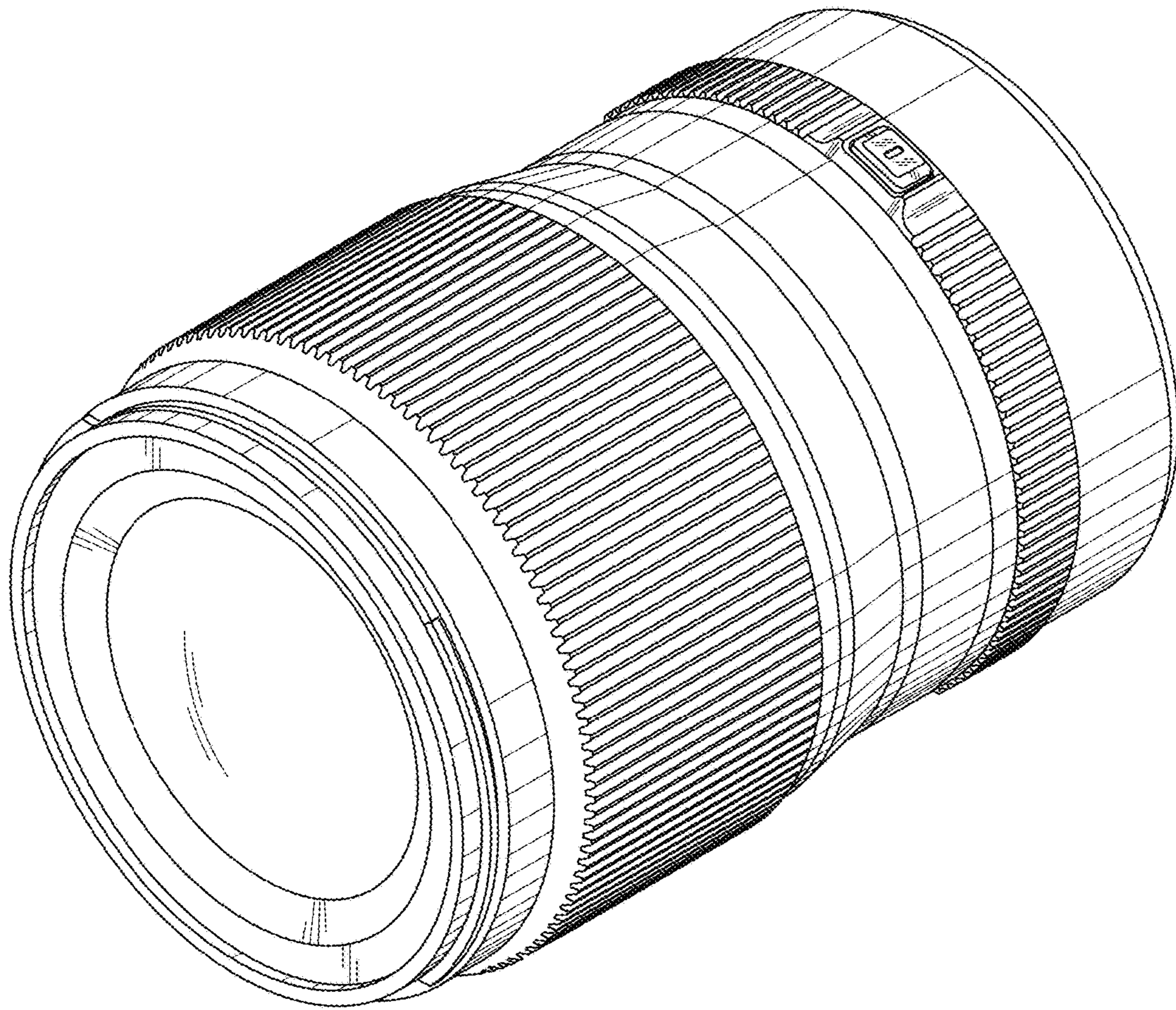
**References Cited**

U.S. PATENT DOCUMENTS

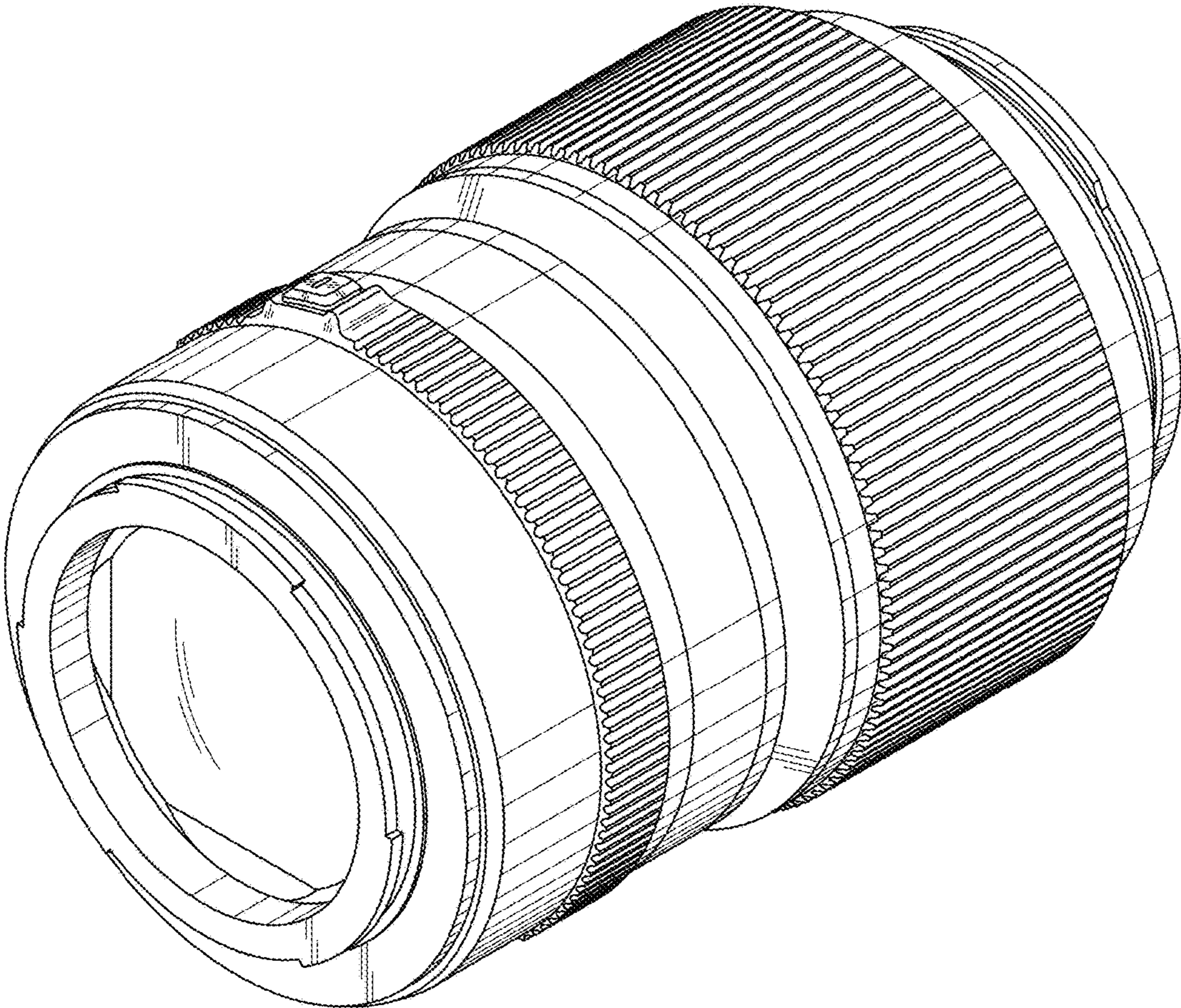
D783,078	S	4/2017	Kim	
D791,210	S	7/2017	Mori	
9,733,449	B2	8/2017	Yano	
9,791,660	B2	10/2017	Takeshita	
D802,045	S *	11/2017	Chalenko .....	D16/219
D815,678	S *	4/2018	Sakai .....	D16/219
D823,924	S *	7/2018	Ikegame .....	D16/219
2008/0013194	A1	1/2008	Dowell	
2008/0018782	A1	1/2008	Terakado	
2009/0051806	A1	2/2009	Haubmann	
2009/0244355	A1	10/2009	Horie	
2010/0014851	A1	1/2010	Furuyama	
2010/0061716	A1	3/2010	Iyoda	
2011/0317062	A1	12/2011	Fujino	
2013/0088632	A1	4/2013	Korekuni	
2013/0271647	A1	10/2013	Ohtsuka	
2014/0055671	A1	2/2014	Kawamura	
2014/0104453	A1	4/2014	Fujinawa	
2014/0168798	A1	6/2014	Ejima	
2015/0116535	A1	4/2015	Wu	
2017/0099428	A1	4/2017	Okuyama	
2017/0184810	A1	6/2017	Shinano	
2017/0351051	A1	12/2017	Kawamura	

\* cited by examiner

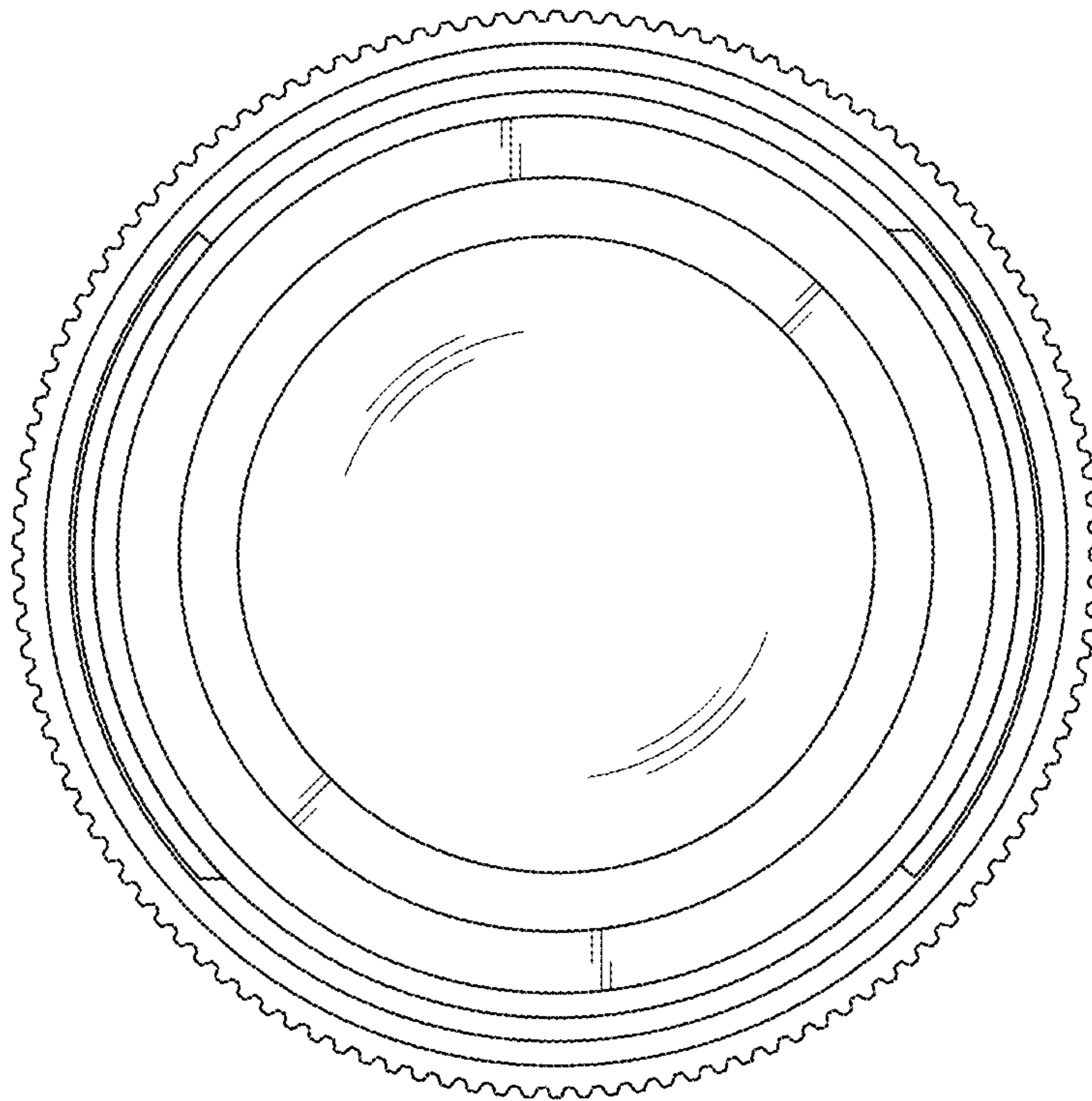
**FIG. 1**



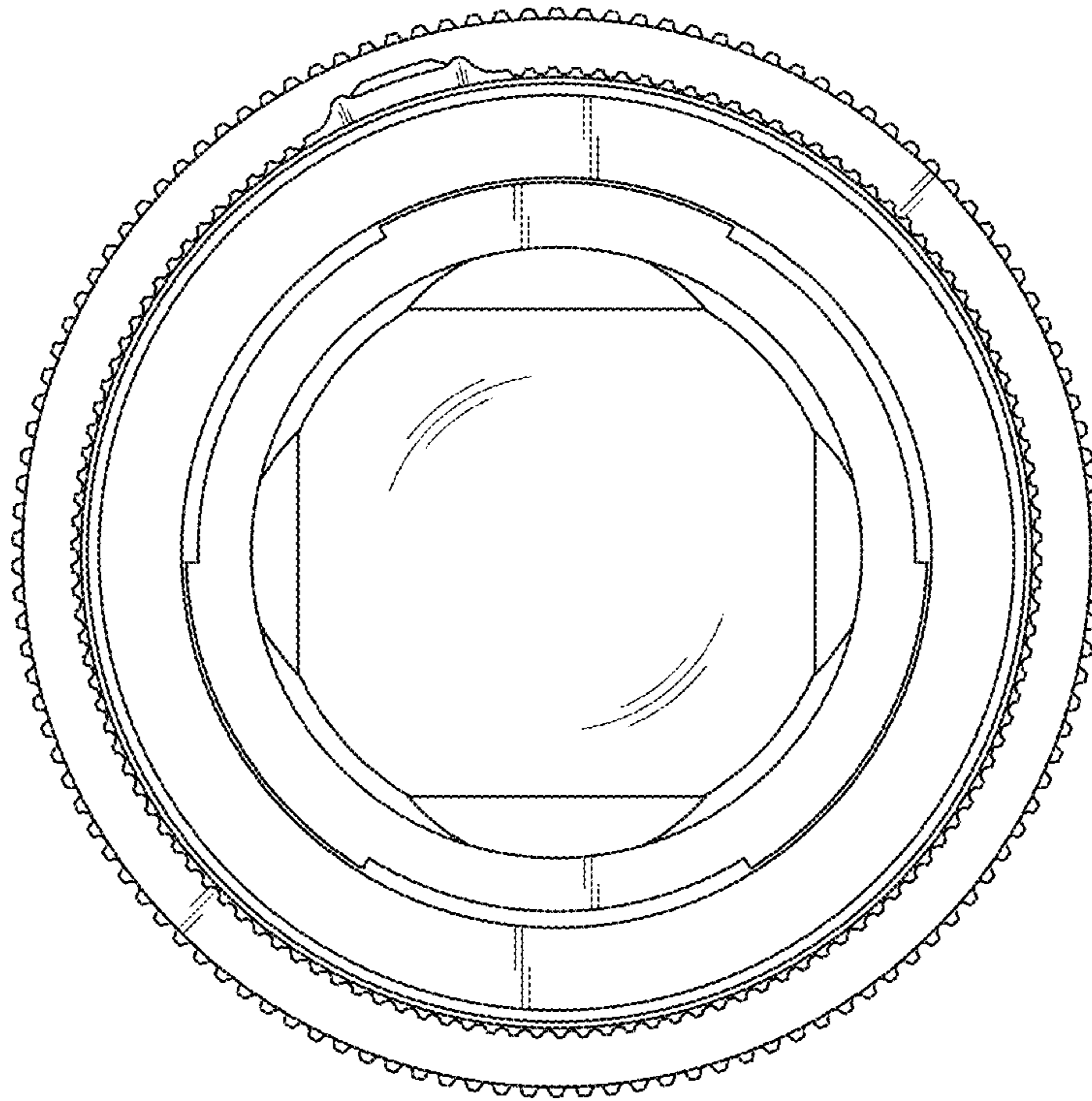
**FIG. 2**



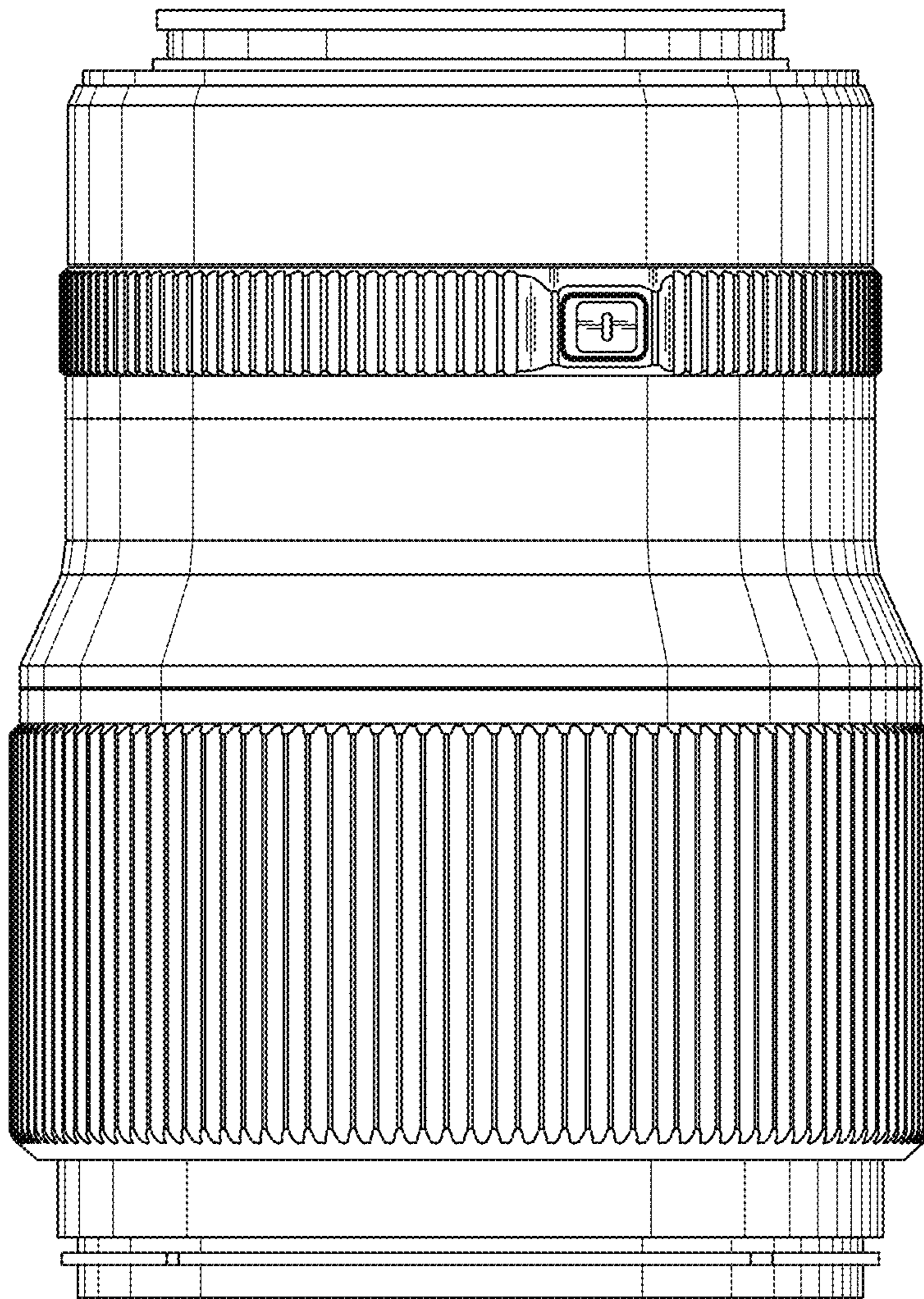
**FIG. 3**



**FIG. 4**



**FIG. 5**



**FIG. 6**

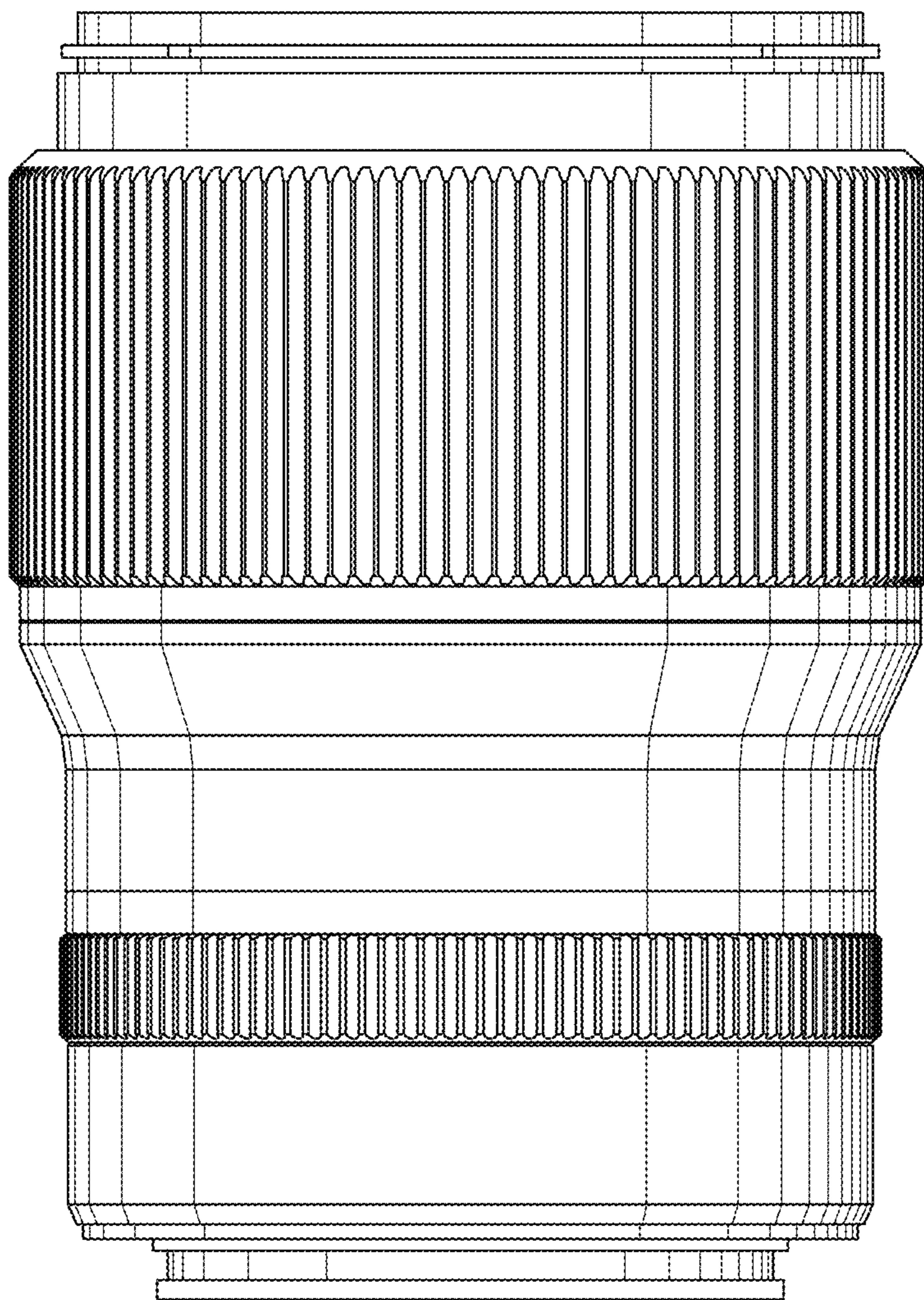




FIG. 7

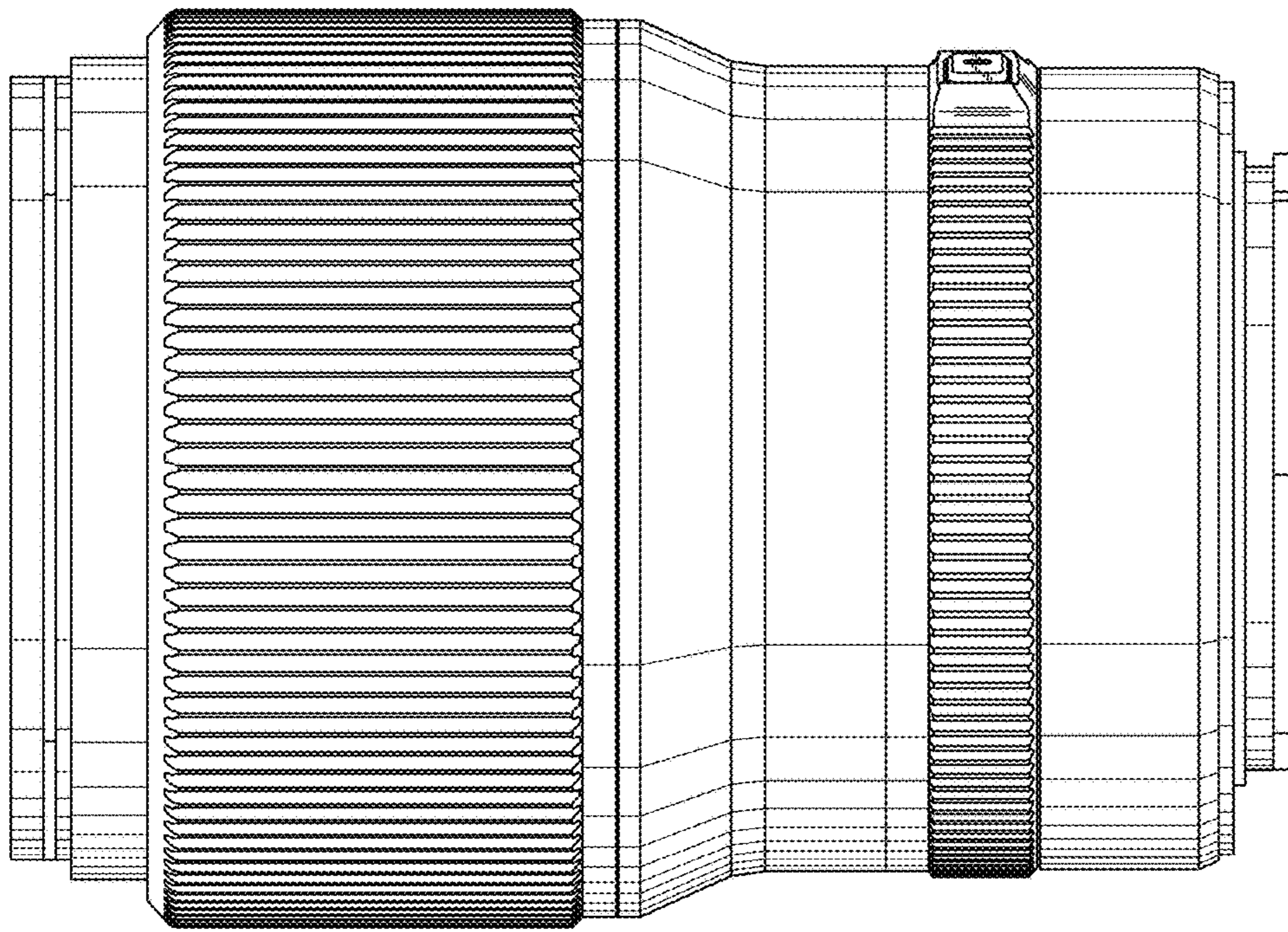


FIG. 8

