



US00D837274S

(12) **United States Design Patent** (10) **Patent No.:** **US D837,274 S**
Ainetoft et al. (45) **Date of Patent:** **** Jan. 1, 2019**

(54) **MONITORING CAMERA**

(71) Applicant: **AXIS AB**, Lund (SE)

(72) Inventors: **Magnus Ainetoft**, Lund (SE); **Morten Bergstrom**, Lund (SE); **Mathias Walter**, Arlov (SE); **Mariano Vozzi**, Malmo (SE); **Daniel Ahman**, Lomma (SE); **Elin Carrander**, Bjarred (SE)

(73) Assignee: **AXIS AB**, Lund (SE)

(**) Term: **15 Years**

(21) Appl. No.: **29/630,052**

(22) Filed: **Dec. 19, 2017**

Related U.S. Application Data

(62) Division of application No. 29/573,032, filed on Aug. 2, 2016.

(30) **Foreign Application Priority Data**

Feb. 2, 2016 (EM) 002968743

(51) **LOC (11) Cl.** **16-01**

(52) **U.S. Cl.**
USPC **D16/203**

(58) **Field of Classification Search**

USPC D16/200–220, 242, 238; D2/872, 893;
D26/24, 36, 72, 79, 123, 118, 152;
D10/104.1, 104.2, 106.1, 106.2, 106.5,
D10/50; D9/548, 549, 428, 781, 782,
D9/783, 574, 430, 431; D29/109–110,
D29/122

CPC H04N 7/181; H04N 7/183; H04N 7/18;
H04N 5/23248; H04N 5/23287; H04N
5/23258; H04N 5/2251; H04N 5/2252;
H04N 2007/145; G01C 11/025; G03B
15/00; G03B 17/56; G03B 17/02; G03B
17/30; G03B 17/04; G03B 17/00; G03B
19/04; G03B 3/00; B60R 1/00; B60R

(Continued)

(56) **References Cited**

U.S. PATENT DOCUMENTS

593,077 A * 11/1897 Bevan G02C 7/16
2/12
734,270 A * 7/1903 Lester G02C 7/16
2/12

(Continued)

FOREIGN PATENT DOCUMENTS

TW D135662 7/2010

OTHER PUBLICATIONS

Axis Communications Press Release, “Axis announces two new series of fixed dome network cameras for high-end installations and affordable volume deployments”, Lund, Mar. 25, 2014, www.axis.com, Vat No. SE 556253-614301.

Primary Examiner — Barbara Fox

Assistant Examiner — Mary C Ramirez

(74) *Attorney, Agent, or Firm* — Volpe and Koenig, P.C.

(57) **CLAIM**

The ornamental design for a monitoring camera, as shown and described.

DESCRIPTION

FIG. 1 is a perspective view of a monitoring camera showing our new design;

FIG. 2 is a right side view thereof;

FIG. 3 is a front elevational view thereof;

FIG. 4 is a top plan top plan view thereof;

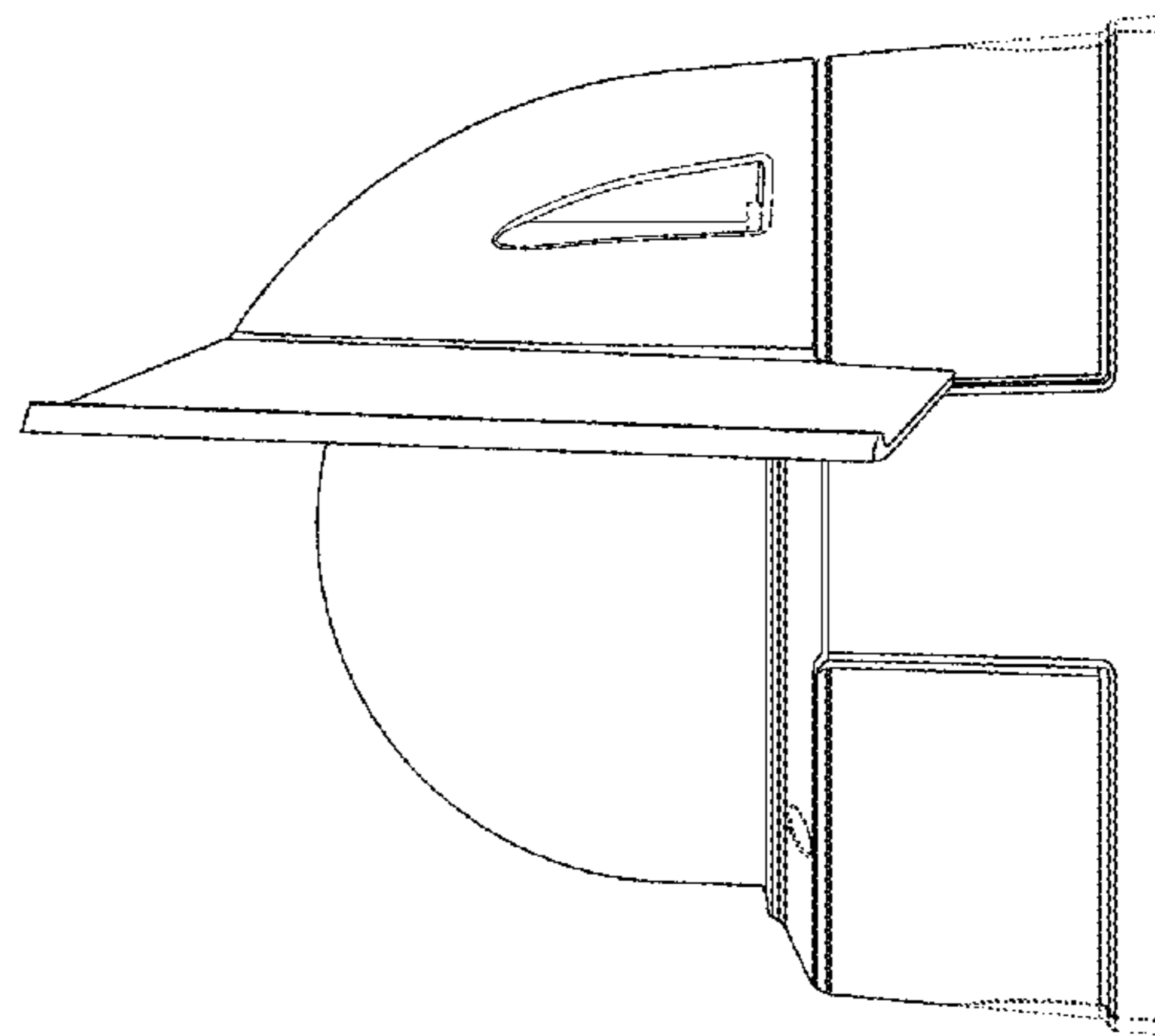
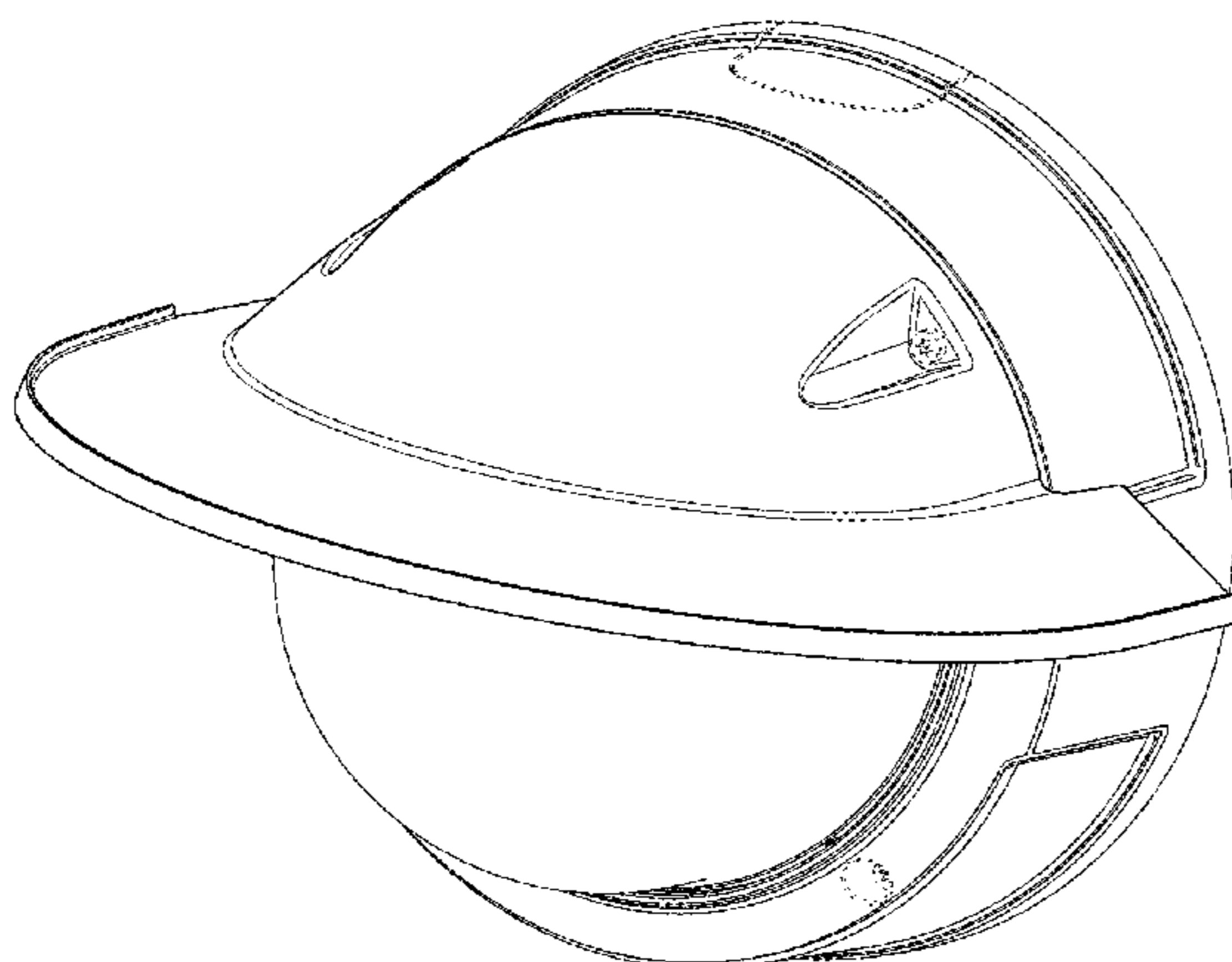
FIG. 5 is a left side view thereof;

FIG. 6 is a bottom plan top plan view thereof; and,

FIG. 7 is a rear elevational view thereof.

The broken lines shown in the drawings depict portions of the monitoring camera and form no part of the claimed design.

1 Claim, 4 Drawing Sheets



(58) **Field of Classification Search**
 CPC ... 2300/105; G08B 13/19619; G08B 13/1963;
 G08B 13/19632; F16M 11/04; F16M
 13/00; Y02E 60/12
 See application file for complete search history.

(56) **References Cited**

U.S. PATENT DOCUMENTS

D44,564 S 8/1913 Hamm
 1,104,330 A * 7/1914 Townsend F21V 17/02
 362/282
 1,325,619 A * 12/1919 Clemmans F21S 48/145
 362/510
 1,435,533 A * 11/1922 Knackstedt G02C 5/124
 2/12
 1,555,397 A 9/1925 Dean
 1,559,464 A 10/1925 Sachse
 1,704,894 A * 3/1929 Hendrikson B60Q 1/1438
 16/DIG. 26
 1,735,090 A 11/1929 Pollard
 D84,280 S * 6/1931 Frame 362/359
 D84,982 S * 9/1931 Frame D26/139
 4,760,499 A * 7/1988 II B60Q 1/06
 362/512
 D307,759 S * 5/1990 Pagano D16/203
 D320,478 S * 10/1991 Metcalfe D29/110
 D372,343 S 7/1996 Palmaer
 D375,568 S * 11/1996 Matthies D12/114
 D390,999 S * 2/1998 Gaskins D26/67
 D437,969 S * 2/2001 Chen D26/131
 D452,696 S 1/2002 Fenton

6,860,654 B1 3/2005 Ching-Wen
 D513,028 S 12/2005 Maruyama
 D553,660 S 10/2007 Yoneji
 D554,172 S 10/2007 Yoneji
 D556,231 S * 11/2007 Kato D16/202
 D584,756 S 1/2009 Yamakawa
 D603,441 S * 11/2009 Wada D16/203
 D606,105 S 12/2009 Hinkel
 D610,183 S 2/2010 Nohavec et al.
 D612,974 S * 3/2010 Guercio D26/85
 D623,213 S * 9/2010 Boswell D16/219
 D628,225 S 11/2010 Deurwaarder
 D633,931 S 3/2011 Ham
 D634,660 S 3/2011 Sahibzada
 D644,677 S 9/2011 Park
 D658,815 S * 5/2012 DeLeon D29/122
 D661,719 S 6/2012 Katori et al.
 D684,619 S 6/2013 Chapple et al.
 D703,370 S * 4/2014 Helms D26/118
 D719,208 S * 12/2014 Mohan D16/203
 D721,755 S * 1/2015 Ahman D16/203
 D740,874 S * 10/2015 Ahman D16/203
 D750,684 S 3/2016 Katori
 D773,330 S * 12/2016 Dietz D10/106.5
 D786,112 S 5/2017 Kucala et al.
 D791,849 S * 7/2017 Zhang D16/203
 D791,851 S * 7/2017 Zhang D16/203
 D798,358 S * 9/2017 Holbrook D16/203
 D801,407 S * 10/2017 Kullgren D16/203
 D816,755 S * 5/2018 Barnekow D16/203
 2016/0144798 A1 5/2016 Yoshikuni et al.
 2017/0104908 A1 * 4/2017 Mukai H04N 5/2259

* cited by examiner

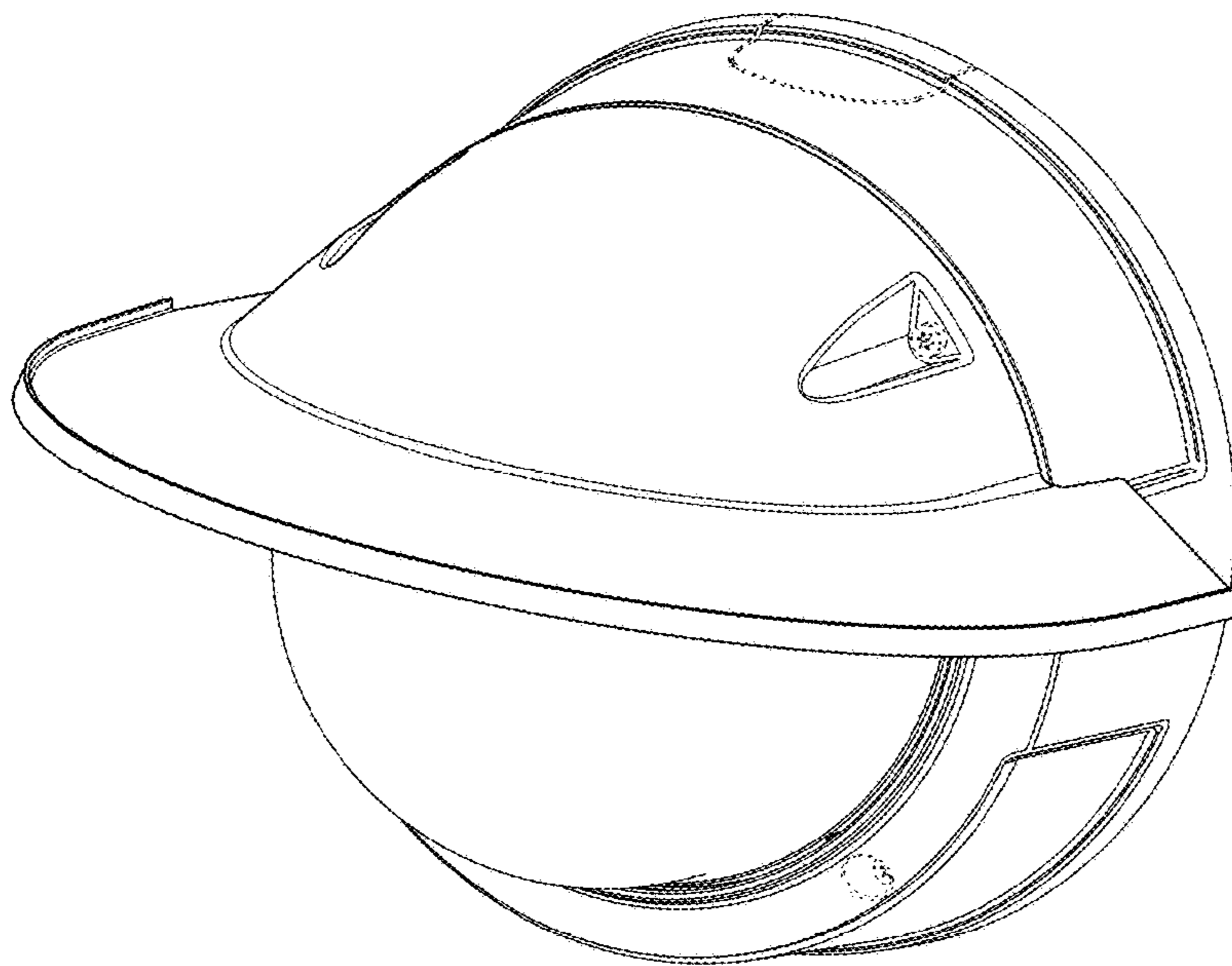


Figure 1

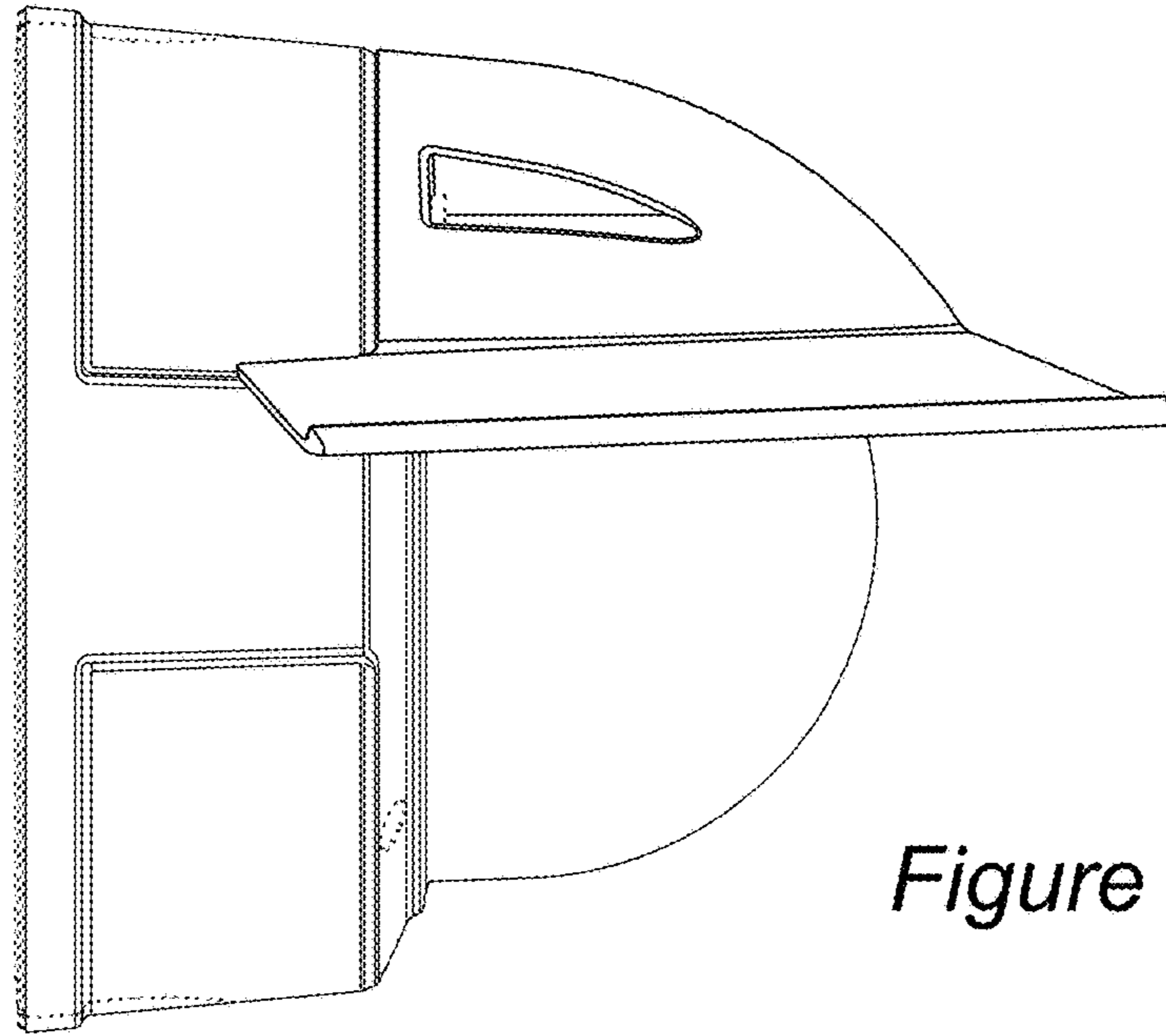


Figure 2

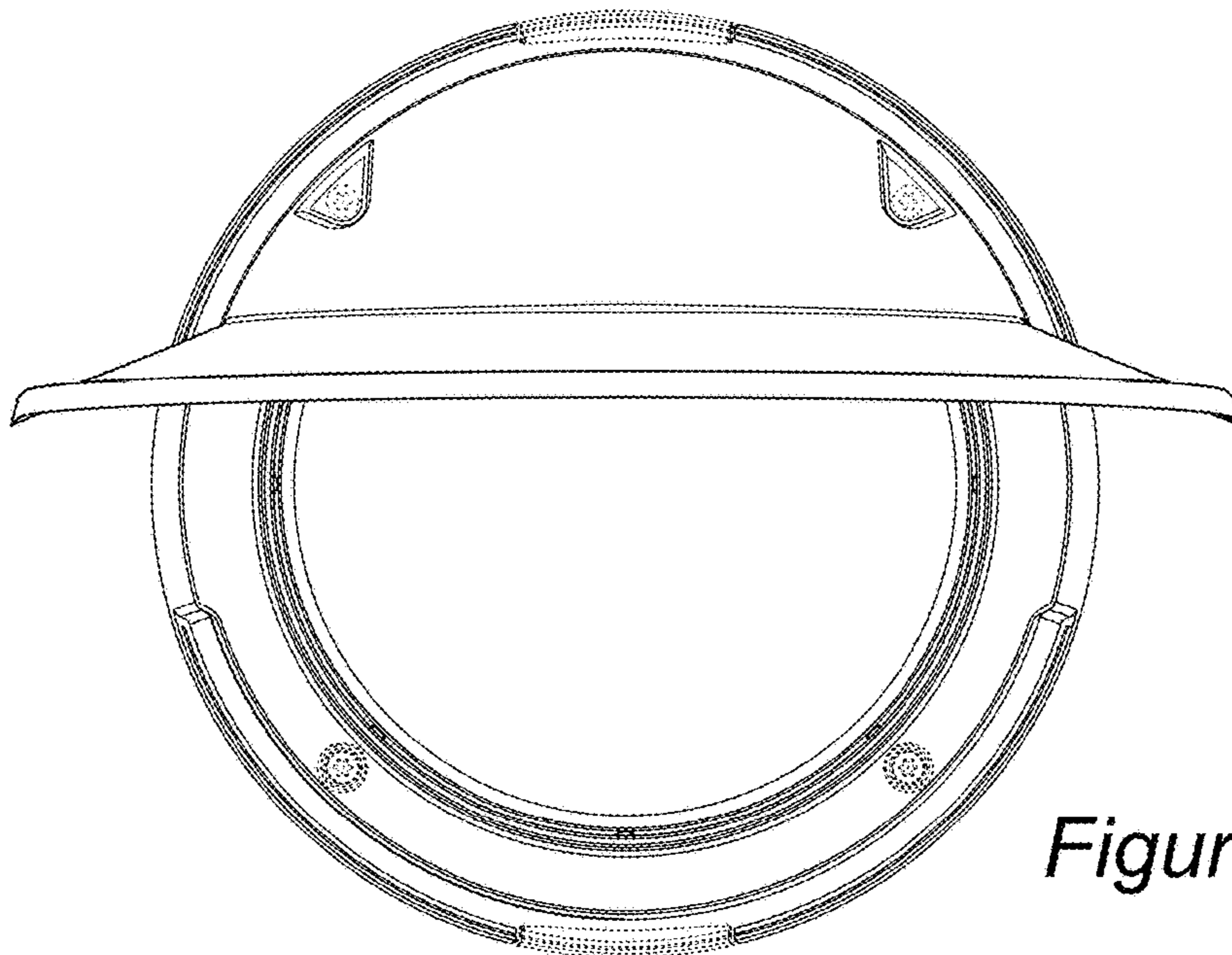


Figure 3

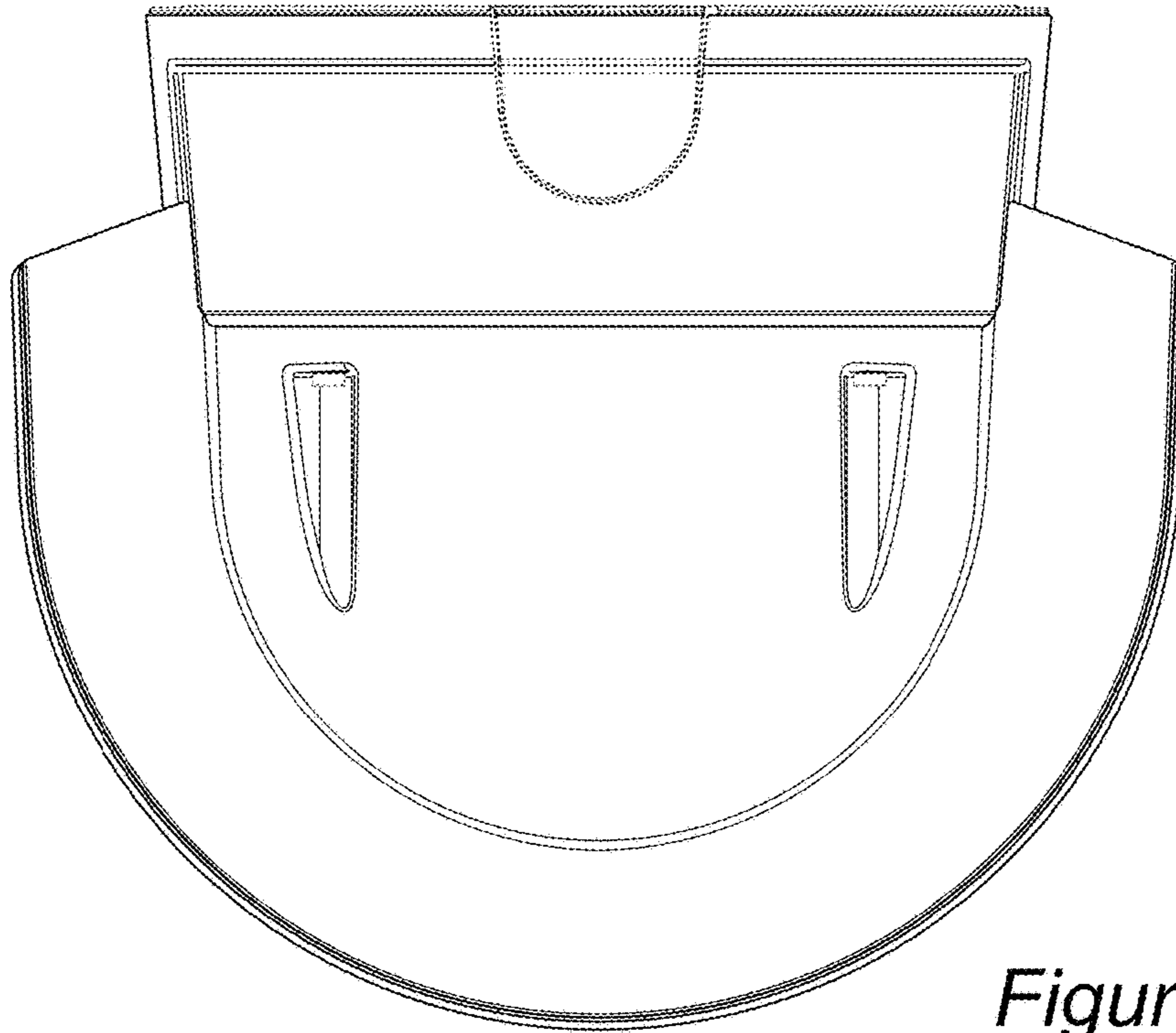


Figure 4

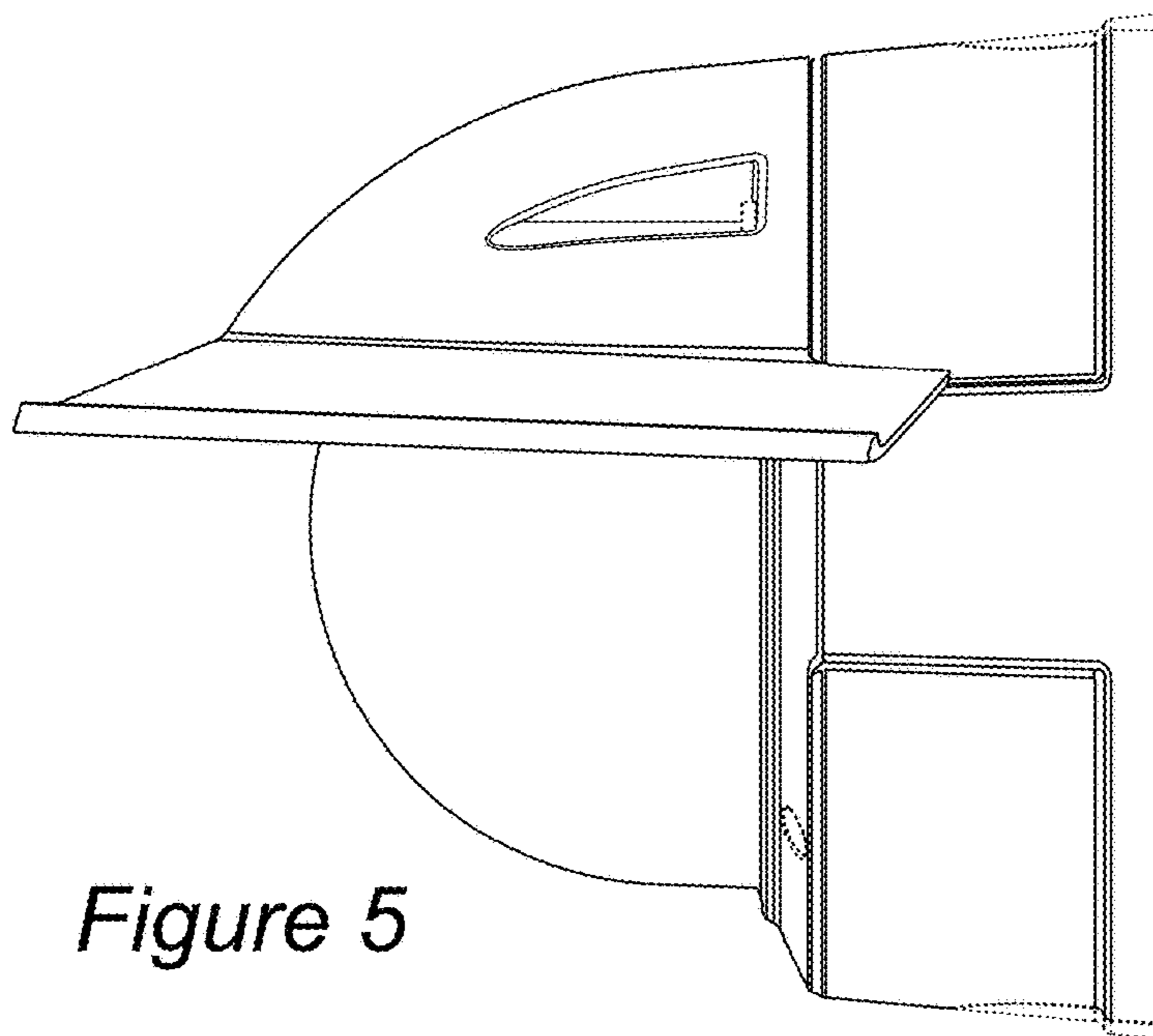


Figure 5

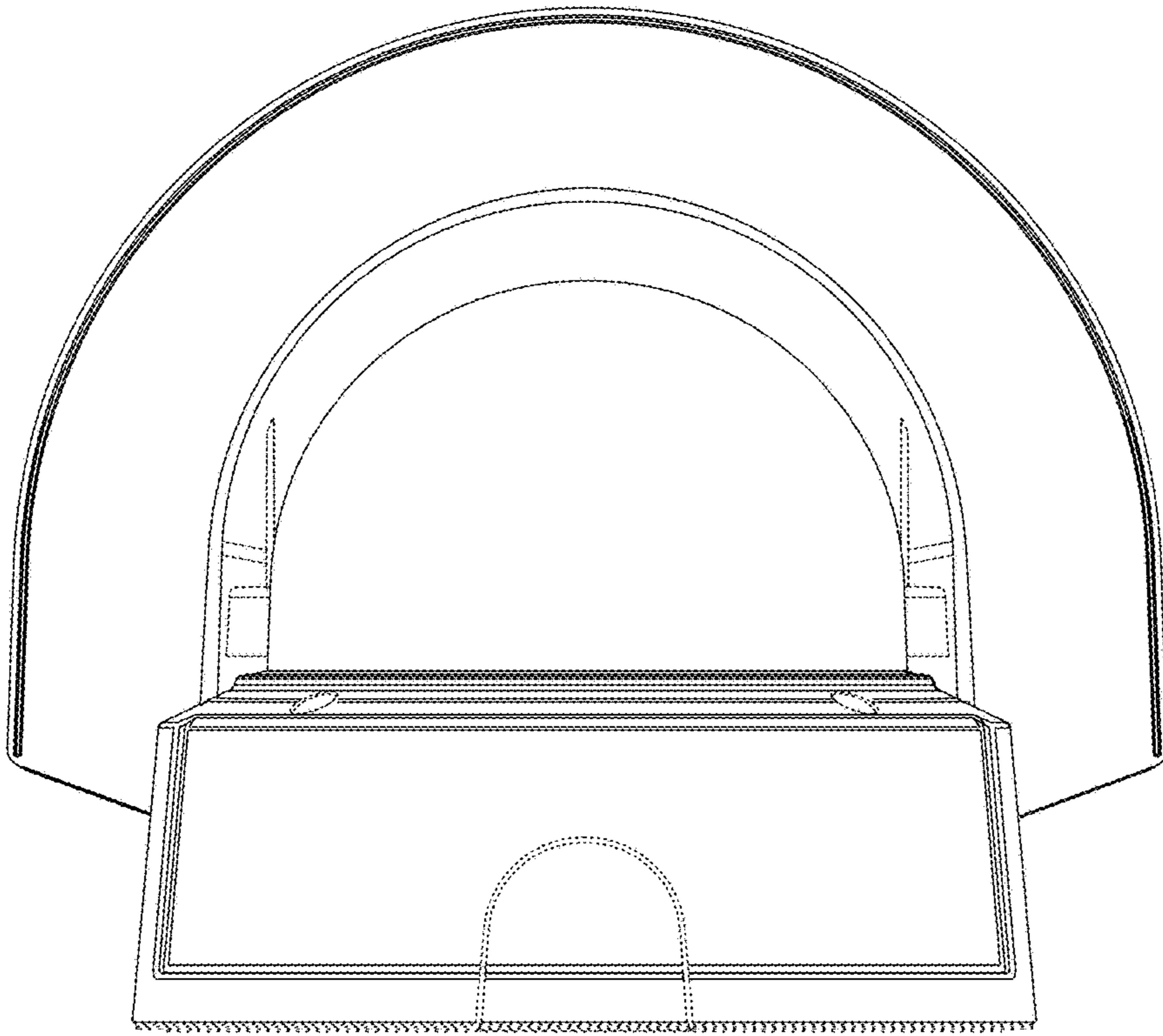


Figure 6

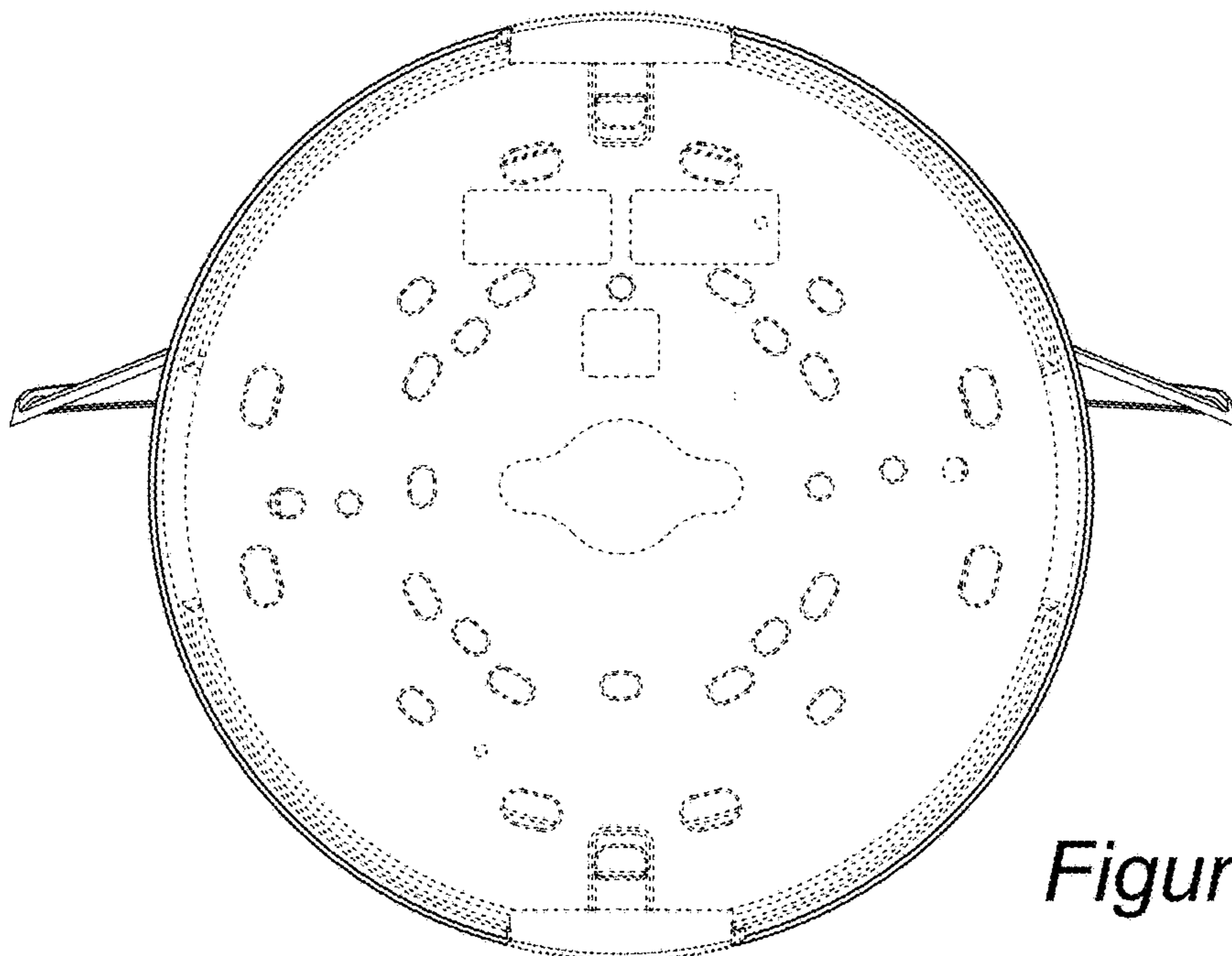


Figure 7