



US00D837273S

(12) **United States Design Patent**
Sato et al.

(10) **Patent No.:** **US D837,273 S**
(45) **Date of Patent:** **** Jan. 1, 2019**

(54) **OPTICAL FIBER FUSION SPLICER**

D746,885 S * 1/2016 Sato D15/144
D759,138 S * 6/2016 Sato D15/144
2010/0260458 A1* 10/2010 Sato G02B 6/2555
385/96

(71) Applicant: **SEI Optifrontier Co., Ltd.**,
Yokohama-shi, Kanagawa (JP)

* cited by examiner

(72) Inventors: **Ryuichiro Sato**, Yokohama (JP);
Hiroshi Takayanagi, Yokohama (JP);
Makoto Miyamori, Yokohama (JP)

Primary Examiner — Ian Simmons
Assistant Examiner — Khawaja Anwar

(73) Assignee: **SEI Optifrontier Co., Ltd.**,
Yokohama-shi, Kanagawa (JP)

(74) *Attorney, Agent, or Firm* — Drinker Biddle & Reath
LLP

(**) Term: **15 Years**

(57) **CLAIM**

The ornamental design for an optical fiber fusion splicer, as shown and described.

(21) Appl. No.: **29/606,022**

DESCRIPTION

(22) Filed: **Jun. 1, 2017**

FIG. 1 is a front view of an optical fiber fusion splicer of the present invention.

(30) **Foreign Application Priority Data**

Jan. 12, 2017 (JP) 2017-000357

FIG. 2 is a rear view of the optical fiber fusion splicer of FIG. 1.

(51) **LOC (11) Cl.** **15-03**

FIG. 3 is a top plan view of the optical fiber fusion splicer of FIG. 1.

(52) **U.S. Cl.**
USPC **D15/144**

FIG. 4 is a bottom plan view of the optical fiber fusion splicer of FIG. 1.

(58) **Field of Classification Search**
USPC D15/144, 144.1, 144.2
CPC G02B 27/2214; G02B 3/0068; G02B 6/06
See application file for complete search history.

FIG. 5 is a right side view of the optical fiber fusion splicer of FIG. 1.

(56) **References Cited**

U.S. PATENT DOCUMENTS

7,412,146 B2 * 8/2008 Sato G02B 6/2553
385/134
8,950,955 B2 * 2/2015 Fukuda G02B 6/2553
385/99
8,992,101 B2 * 3/2015 Fukuda G02B 6/255
385/96

FIG. 6 is a left side view of the optical fiber fusion splicer of FIG. 1.

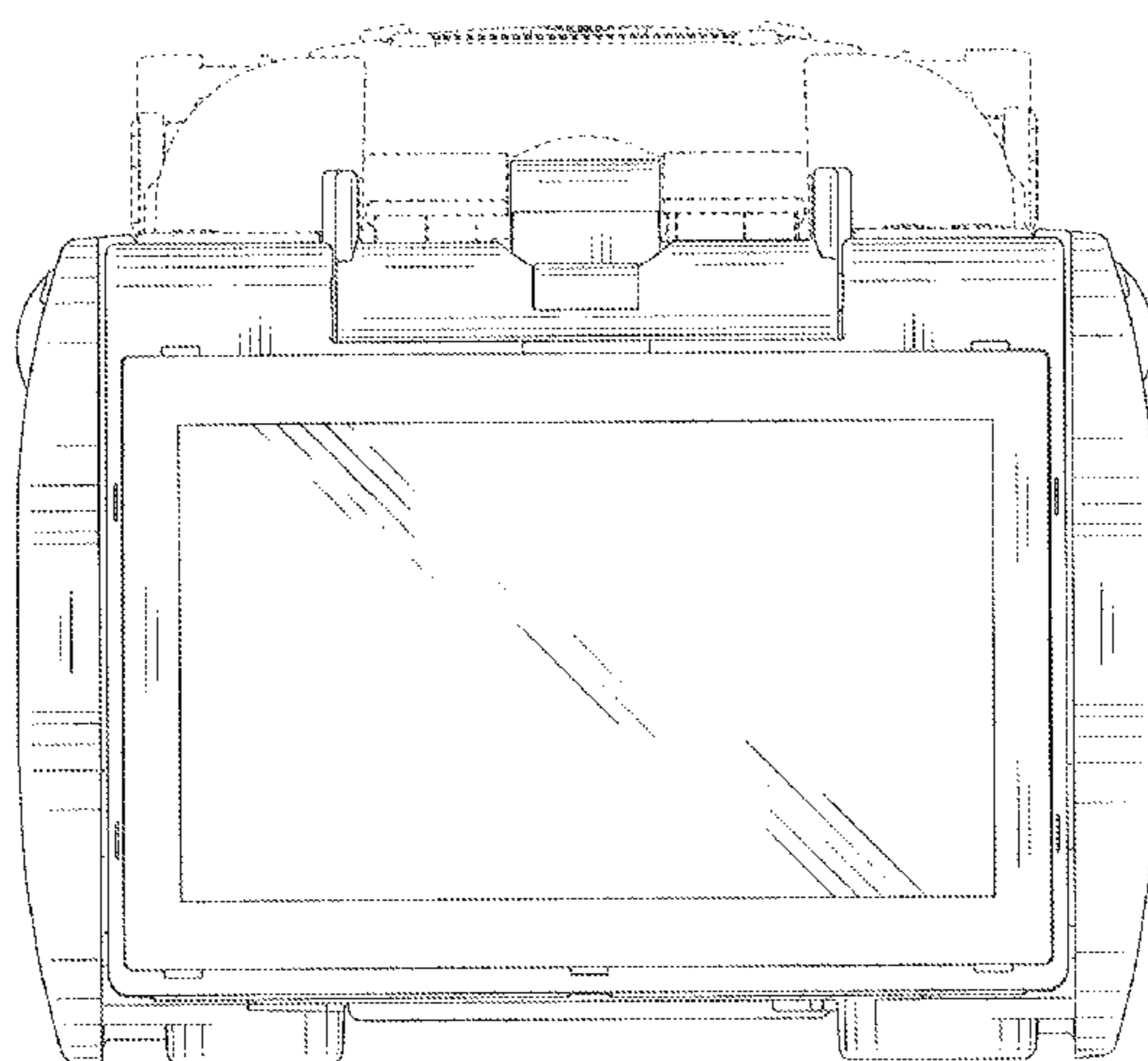
FIG. 7 is a front, top plan and right side perspective view of the optical fiber fusion splicer of FIG. 1.

FIG. 8 is a rear, bottom plan and left side perspective view of the optical fiber fusion splicer of FIG. 1; and,

FIG. 9 is a rear, top plan and left side perspective view of the optical fiber fusion splicer of FIG. 1.

The features shown in broken lines depict environmental subject matter only and form no part of the claimed design.

1 Claim, 9 Drawing Sheets



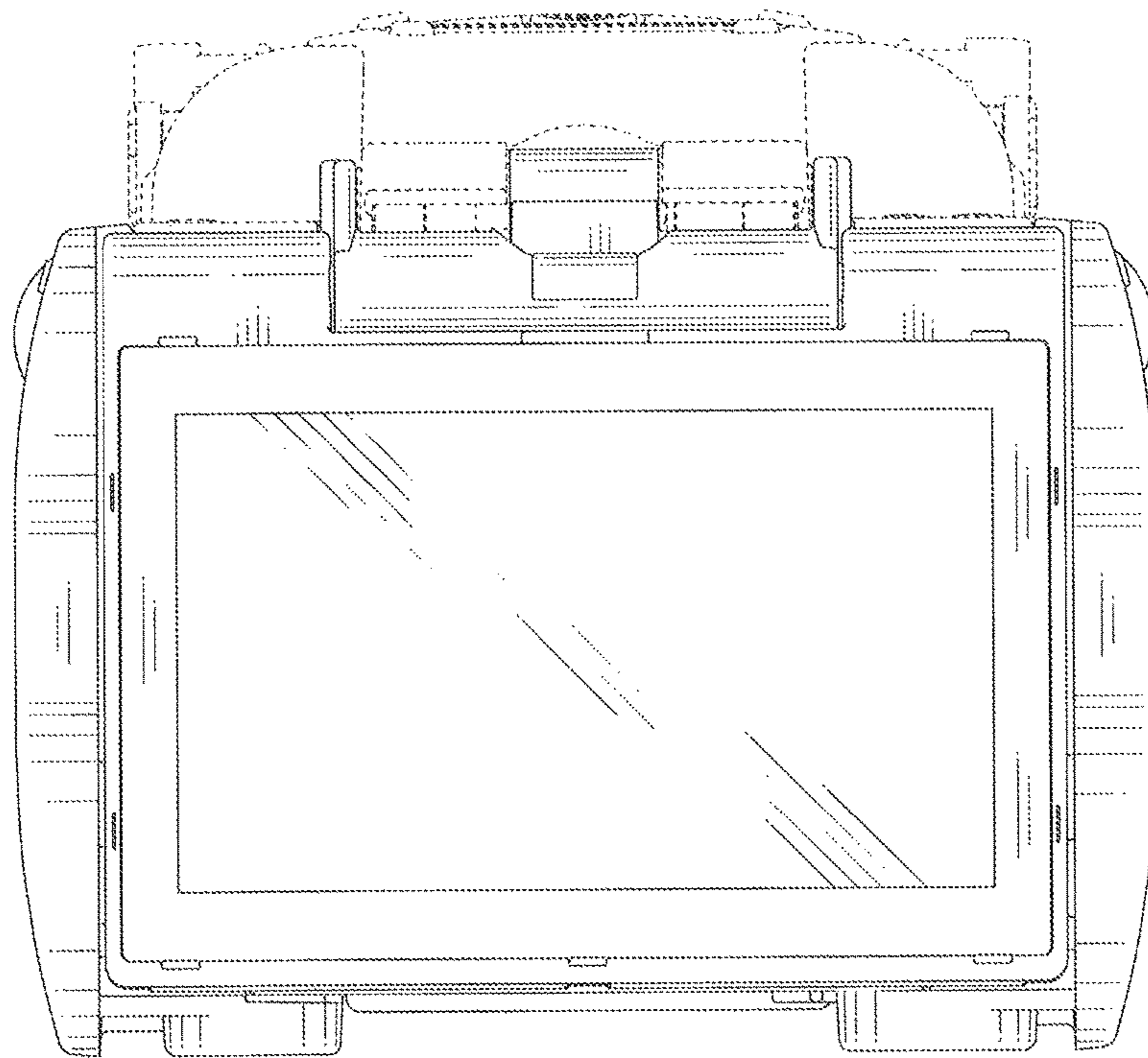


FIGURE 1

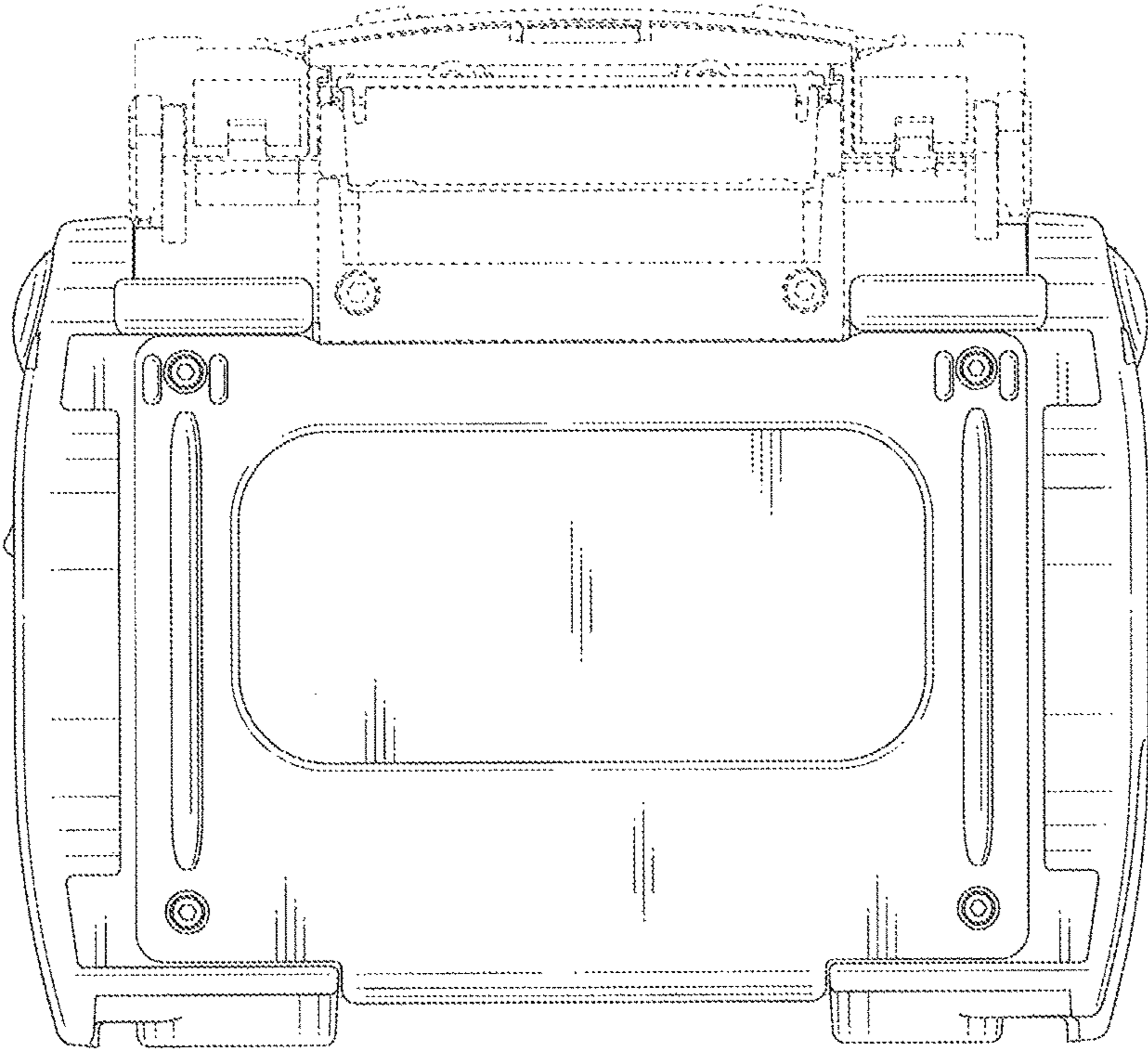


FIGURE 2

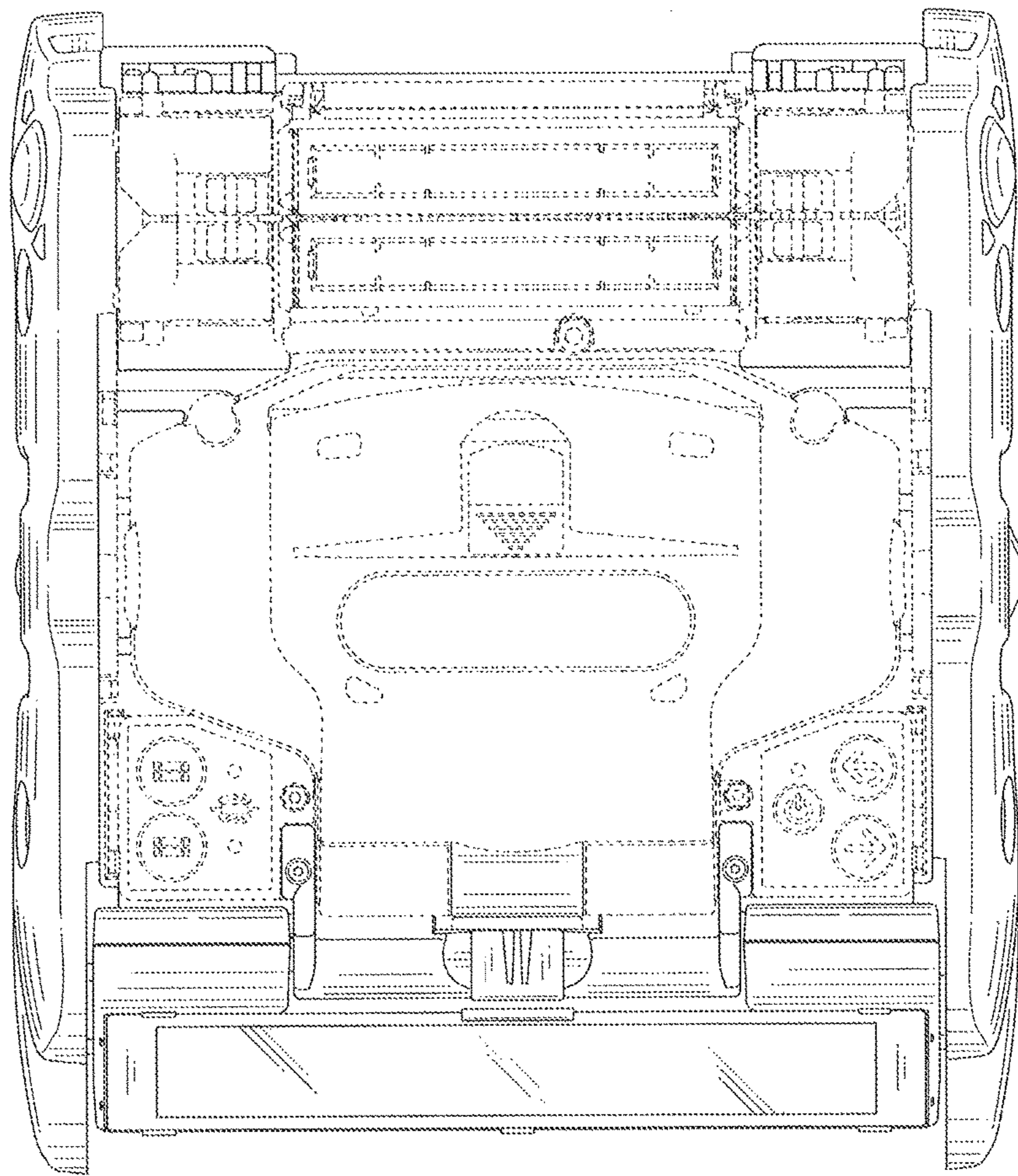


FIGURE 3

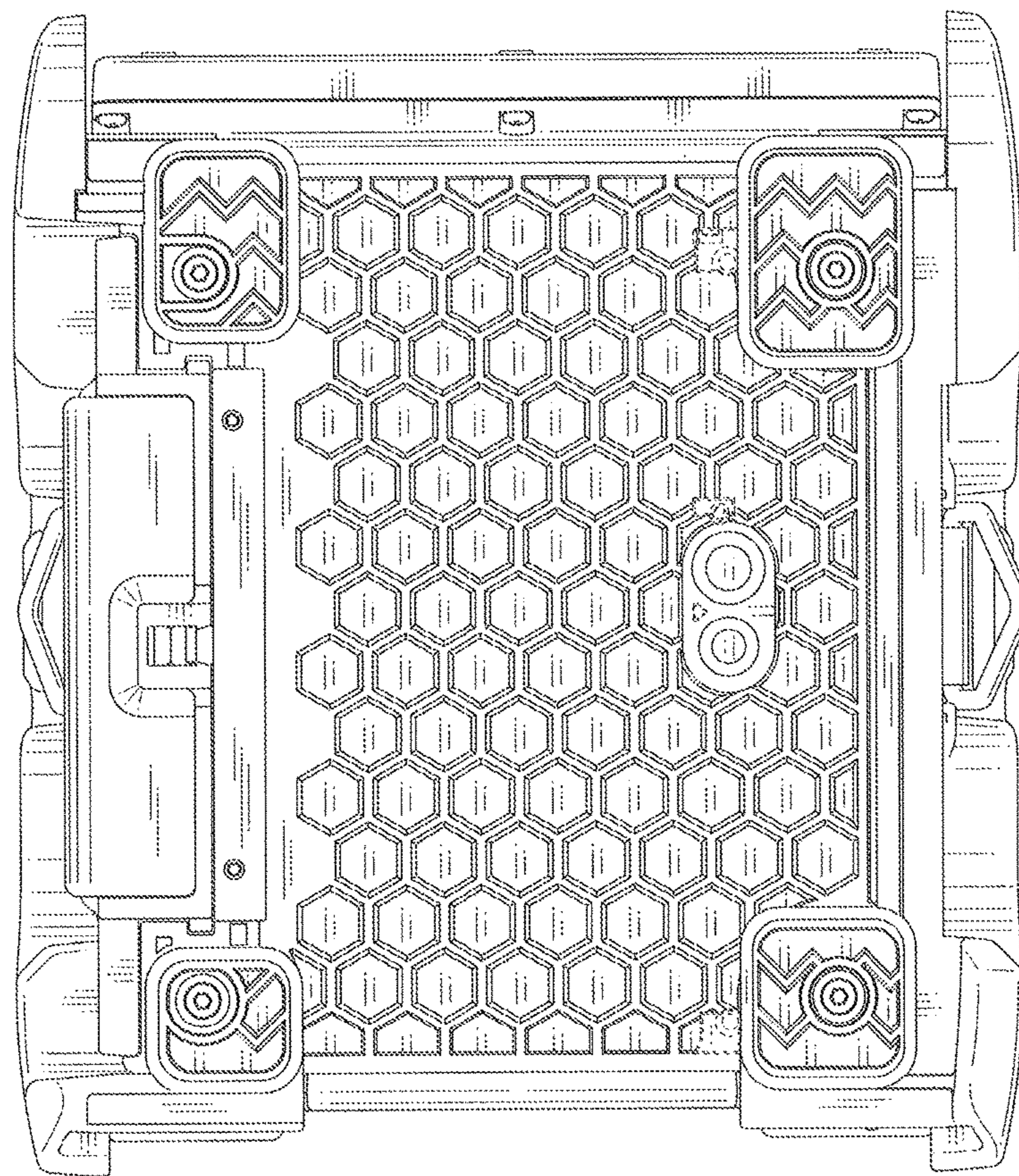


FIGURE 4

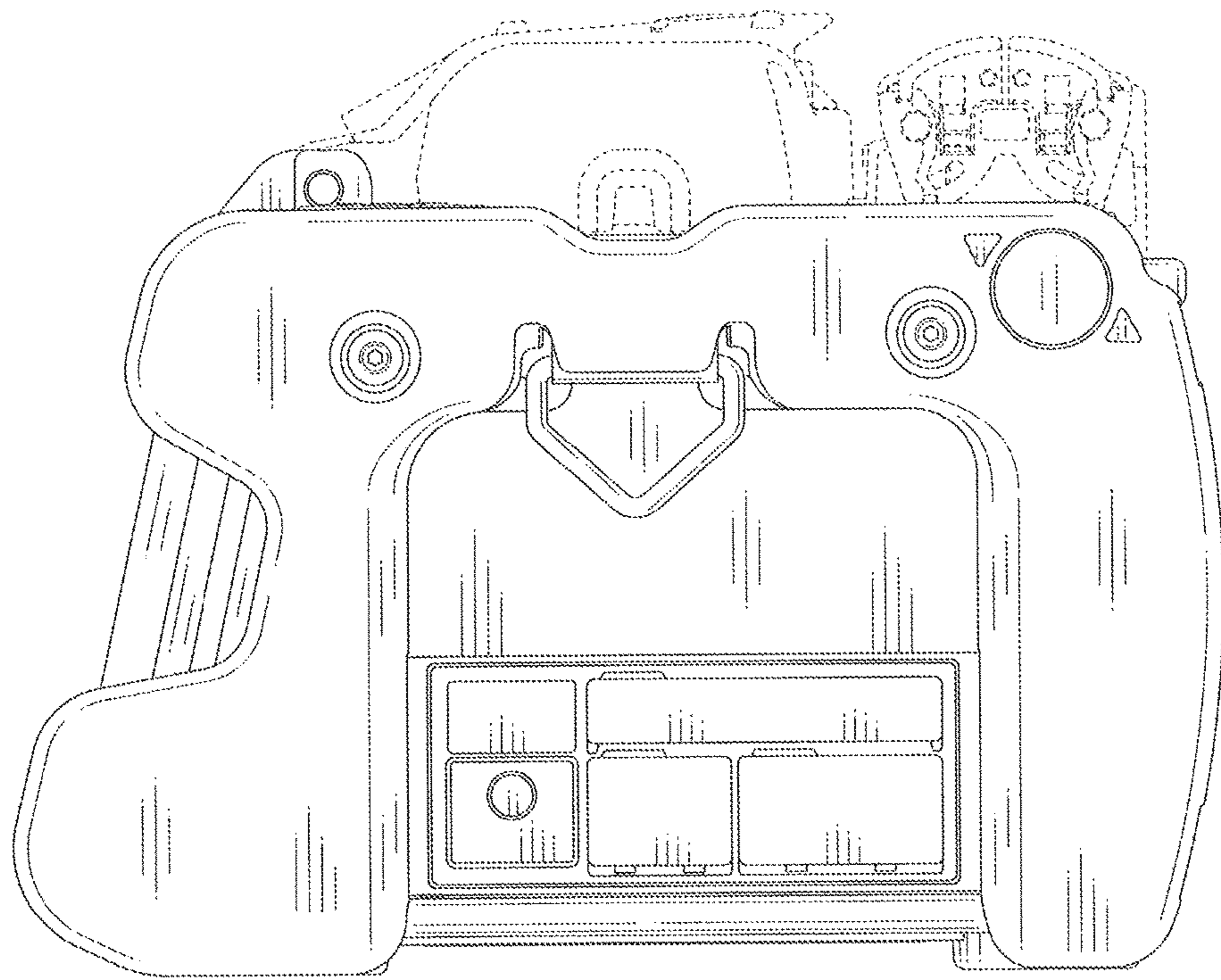


FIGURE 5

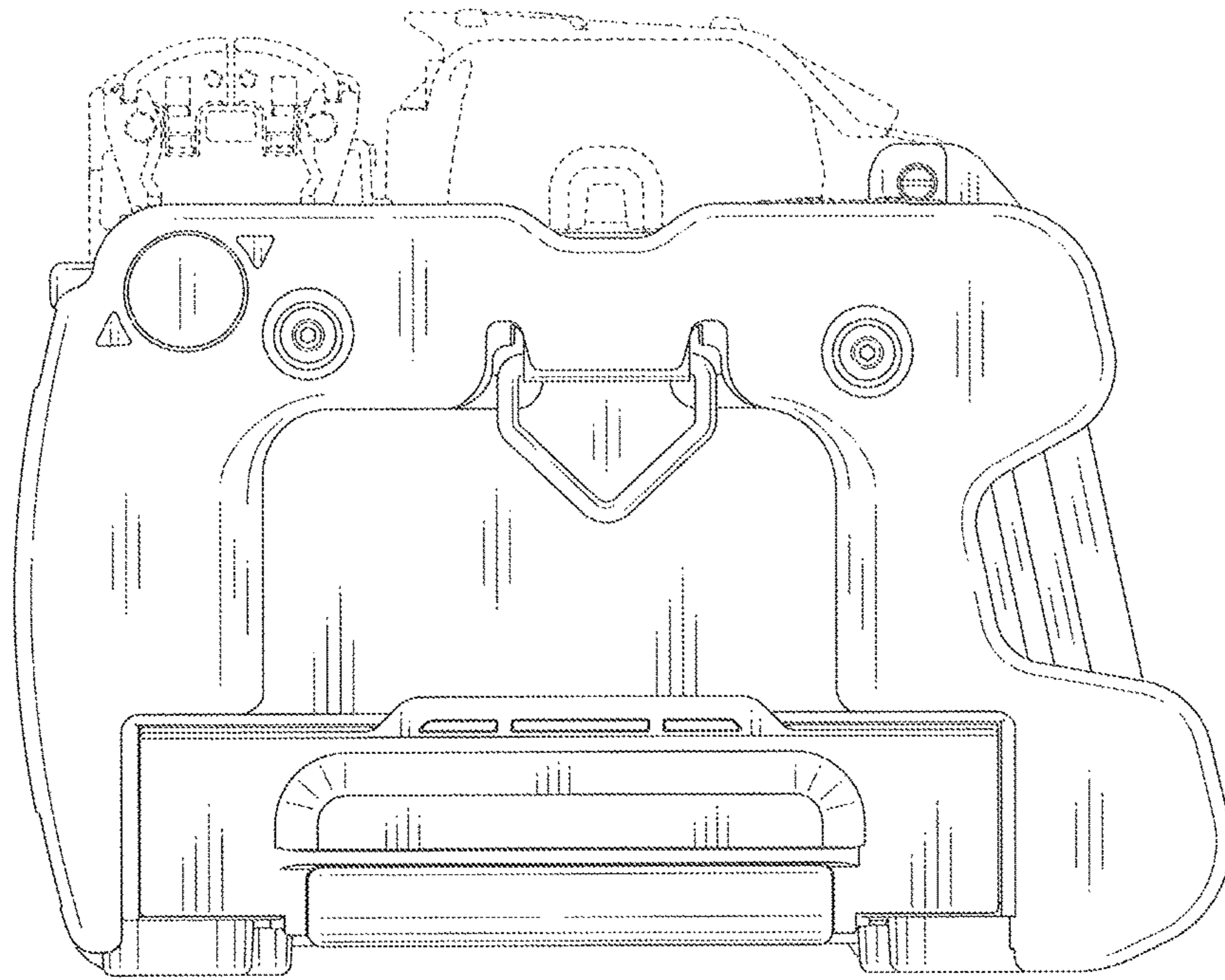


FIGURE 6

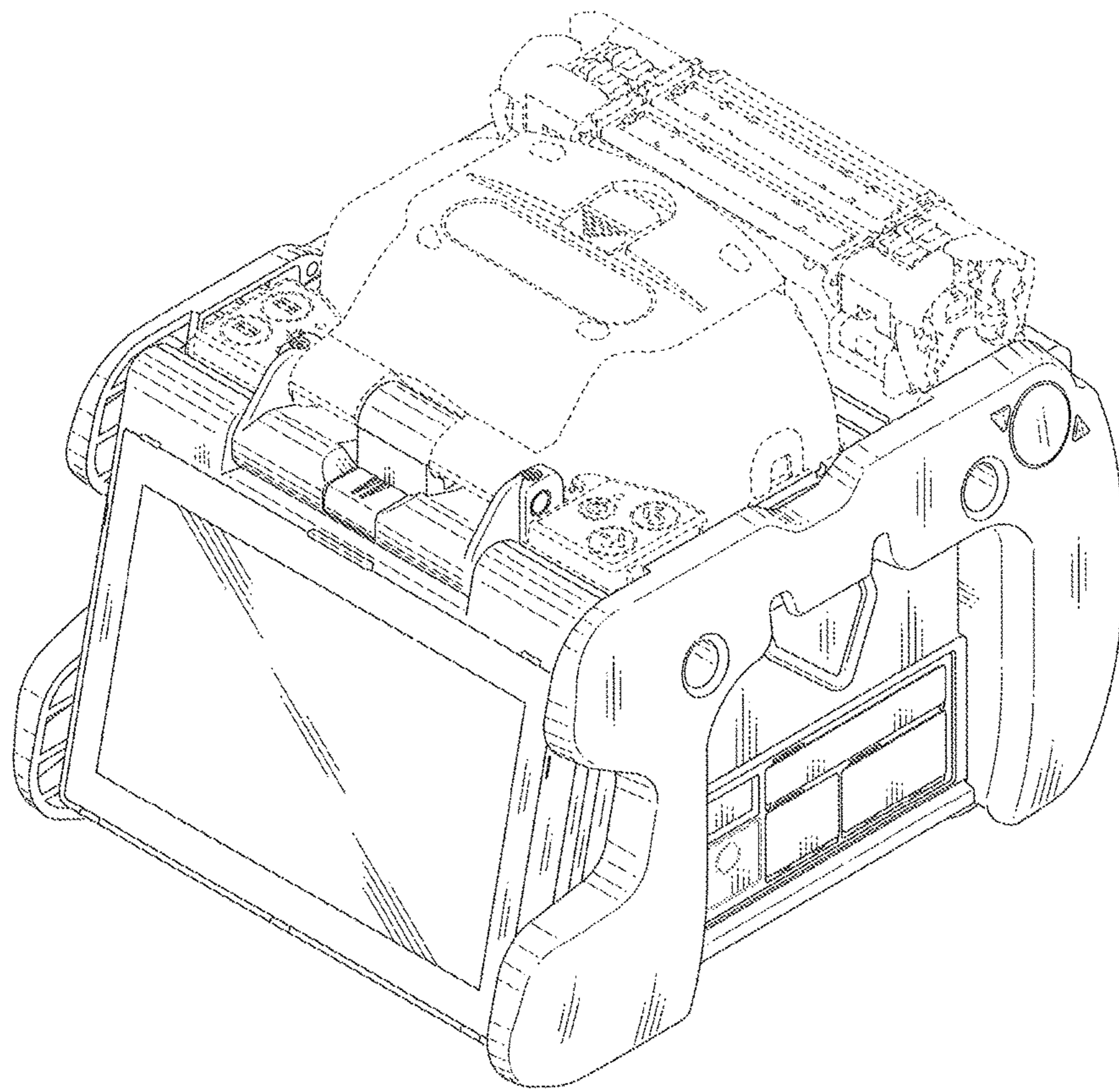


FIGURE 7

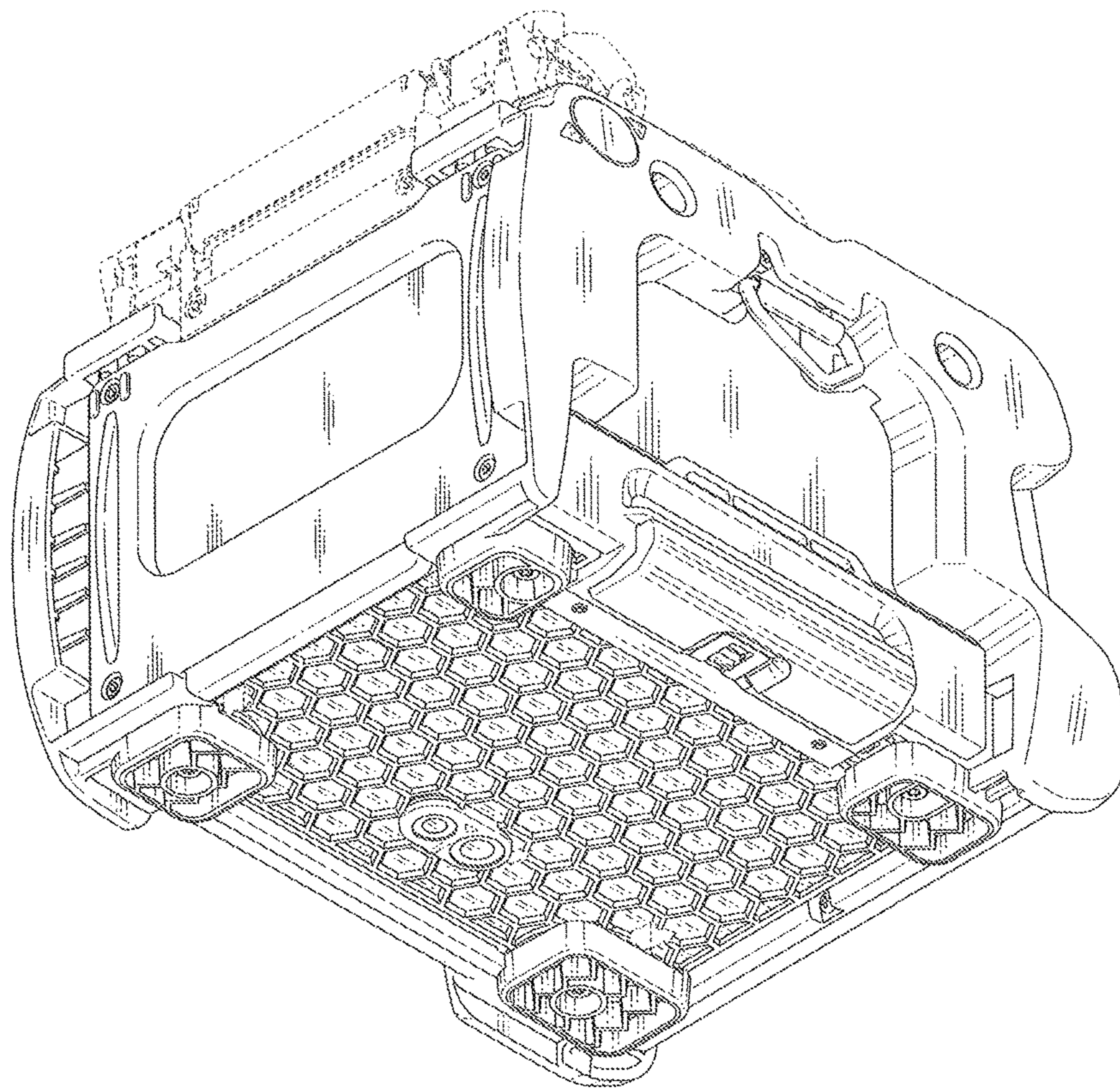


FIGURE 8

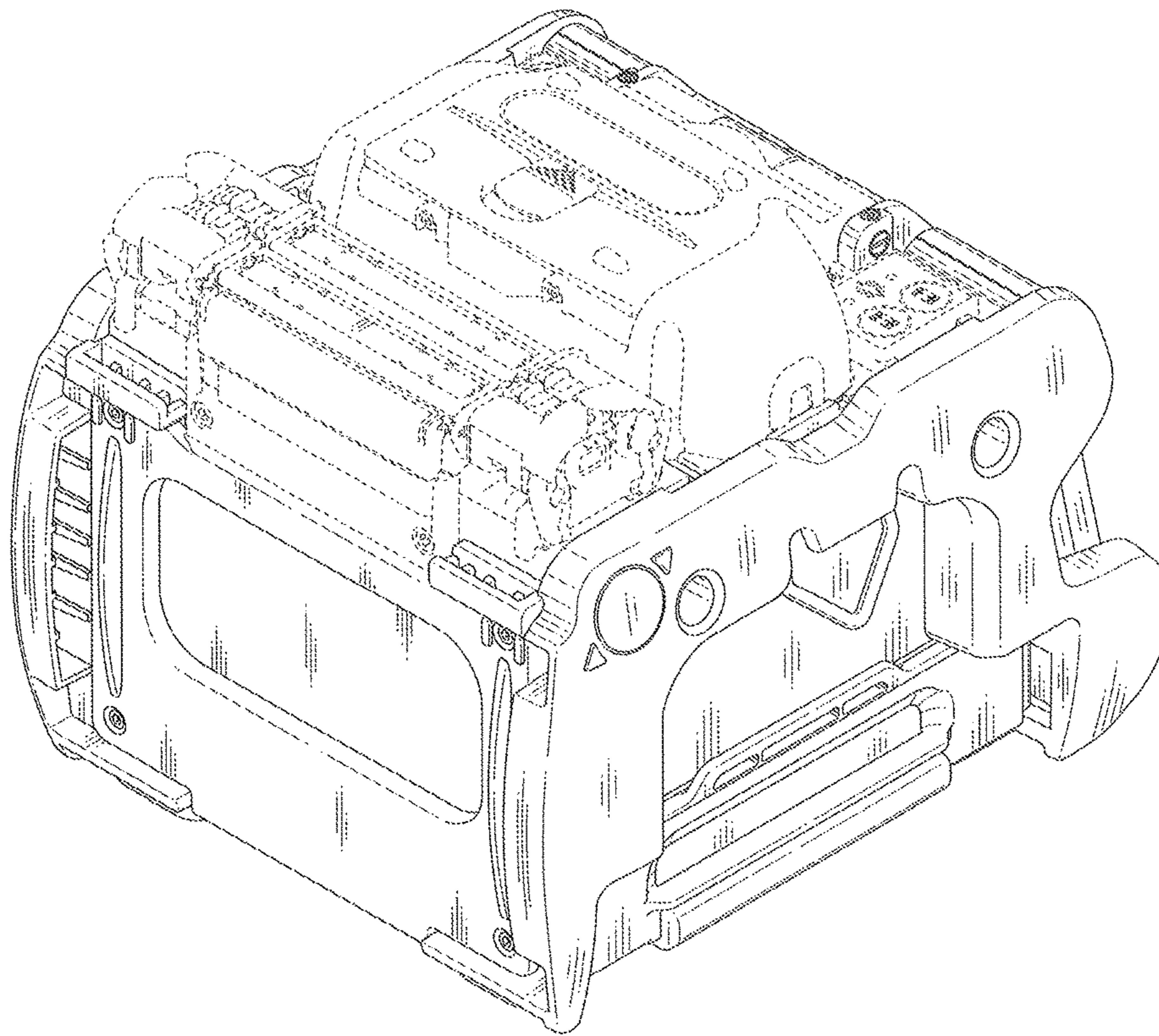


FIGURE 9