

US00D837271S

(12) **United States Design Patent** (10) **Patent No.:** **US D837,271 S**  
**Tinius** (45) **Date of Patent:** **\*\* Jan. 1, 2019**

(54) **MILLING MACHINE**  
(71) Applicant: **Ivoclar Vivadent AG**, Schaan (LI)  
(72) Inventor: **Michael Tinius**, Ulm (DE)  
(73) Assignee: **Ivoclar Vivadent AG**, Schaan (LI)  
(\*\*) Term: **15 Years**  
(21) Appl. No.: **29/593,213**

D542,311 S \* 5/2007 Inaba ..... D15/127  
D549,247 S \* 8/2007 Yorioka ..... D15/131  
D549,747 S \* 8/2007 Nakano ..... D15/131  
D552,134 S \* 10/2007 Nakano ..... D15/131  
D612,873 S \* 3/2010 Spinelli ..... D15/131  
D640,297 S \* 6/2011 Deville ..... D15/131  
D644,672 S \* 9/2011 Kajihara ..... D15/131  
D667,032 S \* 9/2012 Egami ..... D15/122  
D693,859 S \* 11/2013 Kitamura ..... D15/122  
D706,320 S \* 6/2014 Hynek ..... D15/131  
D759,736 S \* 6/2016 Huang ..... D15/122

(Continued)

(22) Filed: **Feb. 7, 2017**

*Primary Examiner* — Patricia A Palasik

(30) **Foreign Application Priority Data**

(74) *Attorney, Agent, or Firm* — Ann M. Knab; Thad McMurray

Dec. 23, 2016 (WO) ..... 59328

(51) **LOC (11) Cl.** ..... **15-09**

(57) **CLAIM**

The ornamental design for a milling machine, as shown and described.

(52) **U.S. Cl.**  
USPC ..... **D15/131**

**DESCRIPTION**

(58) **Field of Classification Search**  
USPC ..... D15/122, 124, 127, 128, 130, 131  
CPC .. B02C 7/06; B02C 9/00; B02C 11/04; B02C 15/00; B02C 15/04; B02C 15/007  
See application file for complete search history.

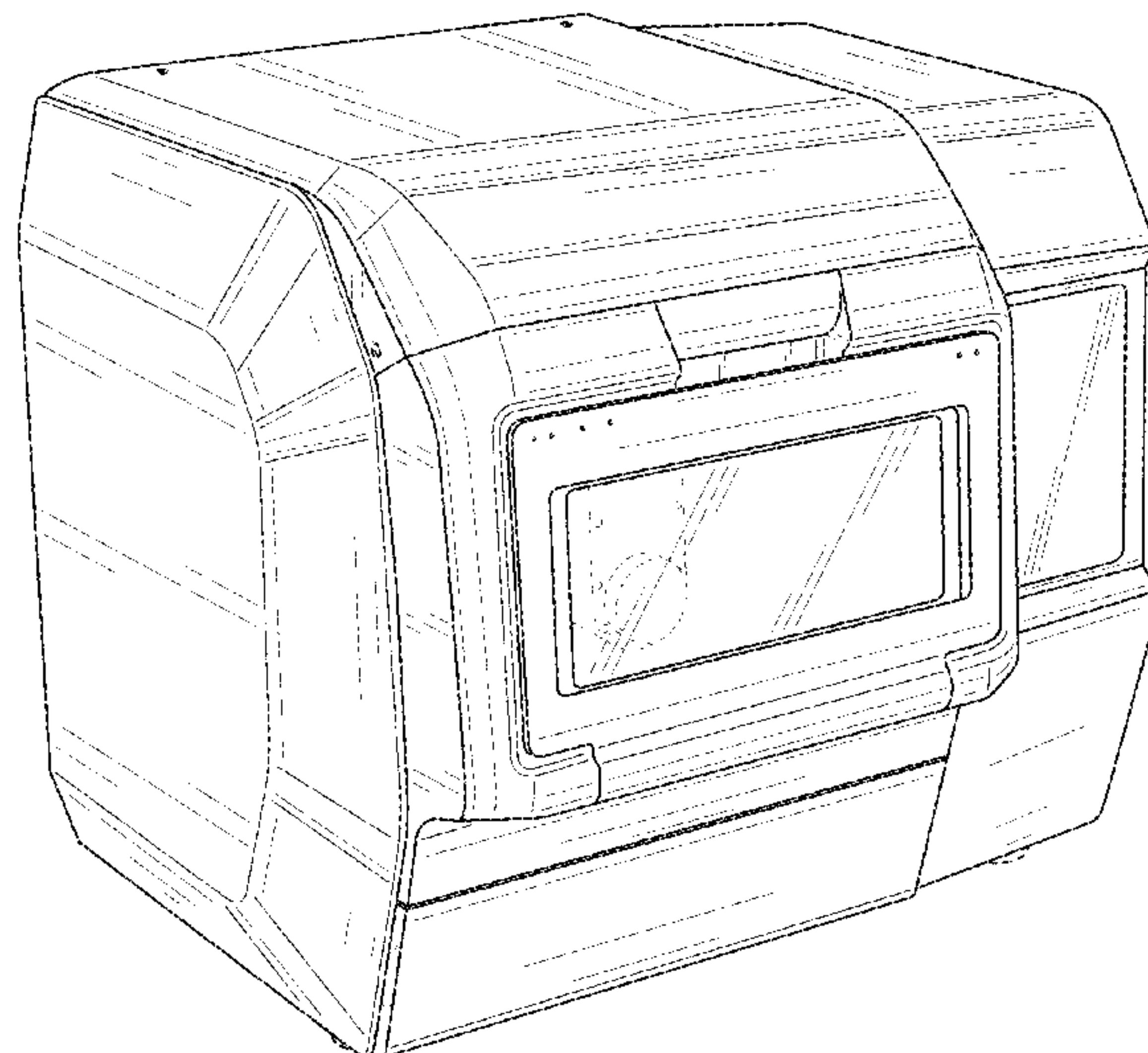
FIG. 1 is a perspective view of a milling machine, showing my new design.  
FIG. 2 is a front view thereof.  
FIG. 3 is a rear view thereof.  
FIG. 4 is a left side view thereof.  
FIG. 5 is a right side view thereof.  
FIG. 6 is a top plan view thereof.  
FIG. 7 is a bottom plan view thereof.  
FIG. 8 is a perspective view thereof.  
FIG. 9 is a perspective view of a second embodiment of a milling machine, showing my new design.  
FIG. 10 is a front view of FIG. 9.  
FIG. 11 is a rear view of FIG. 9.  
FIG. 12 is a left side view of FIG. 9.  
FIG. 13 is a right side view of FIG. 9.  
FIG. 14 is a top plan view of FIG. 9; and,  
FIG. 15 is a bottom plan view of FIG. 9.  
The dotted lines form no part of the claimed design.

(56) **References Cited**

**U.S. PATENT DOCUMENTS**

D243,972 S \* 4/1977 Kucyna ..... D15/131  
4,202,503 A \* 5/1980 Parkinson ..... B02C 13/04  
241/194  
D302,164 S \* 7/1989 Itoh ..... D15/122  
D309,146 S \* 7/1990 Nemetz ..... D15/131  
5,025,539 A \* 6/1991 Stark ..... B23Q 1/48  
29/26 A  
D319,834 S \* 9/1991 Rutschle ..... D15/131  
D328,467 S \* 8/1992 Maleschew ..... D15/131  
D336,749 S \* 6/1993 Lenard ..... D15/127  
D398,618 S \* 9/1998 Aoyama ..... D15/131  
D400,895 S \* 11/1998 Schrepfer ..... D15/131  
D401,248 S \* 11/1998 Schrepfer ..... D15/131  
D495,723 S \* 9/2004 Kawamura ..... D15/127

**1 Claim, 15 Drawing Sheets**



(56)

**References Cited**

U.S. PATENT DOCUMENTS

|                   |        |                  |                        |
|-------------------|--------|------------------|------------------------|
| D765,155 S *      | 8/2016 | Rickenbach ..... | D15/131                |
| D812,230 S *      | 3/2018 | Silvonen .....   | D24/177                |
| D812,657 S *      | 3/2018 | Holl .....       | D15/131                |
| 2006/0035775 A1 * | 2/2006 | Duncan .....     | A61C 13/0004<br>483/30 |

\* cited by examiner

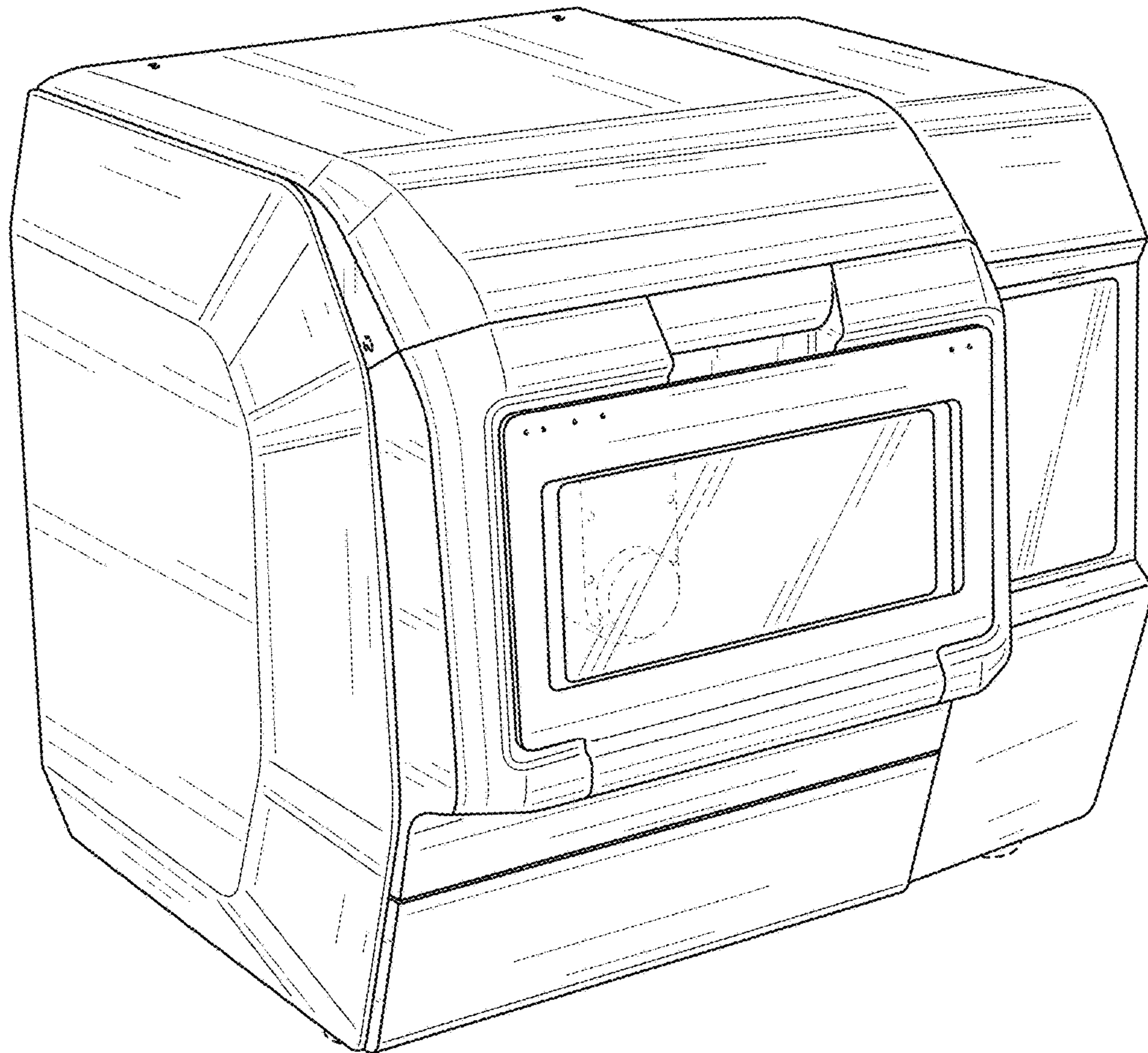


FIG. 1



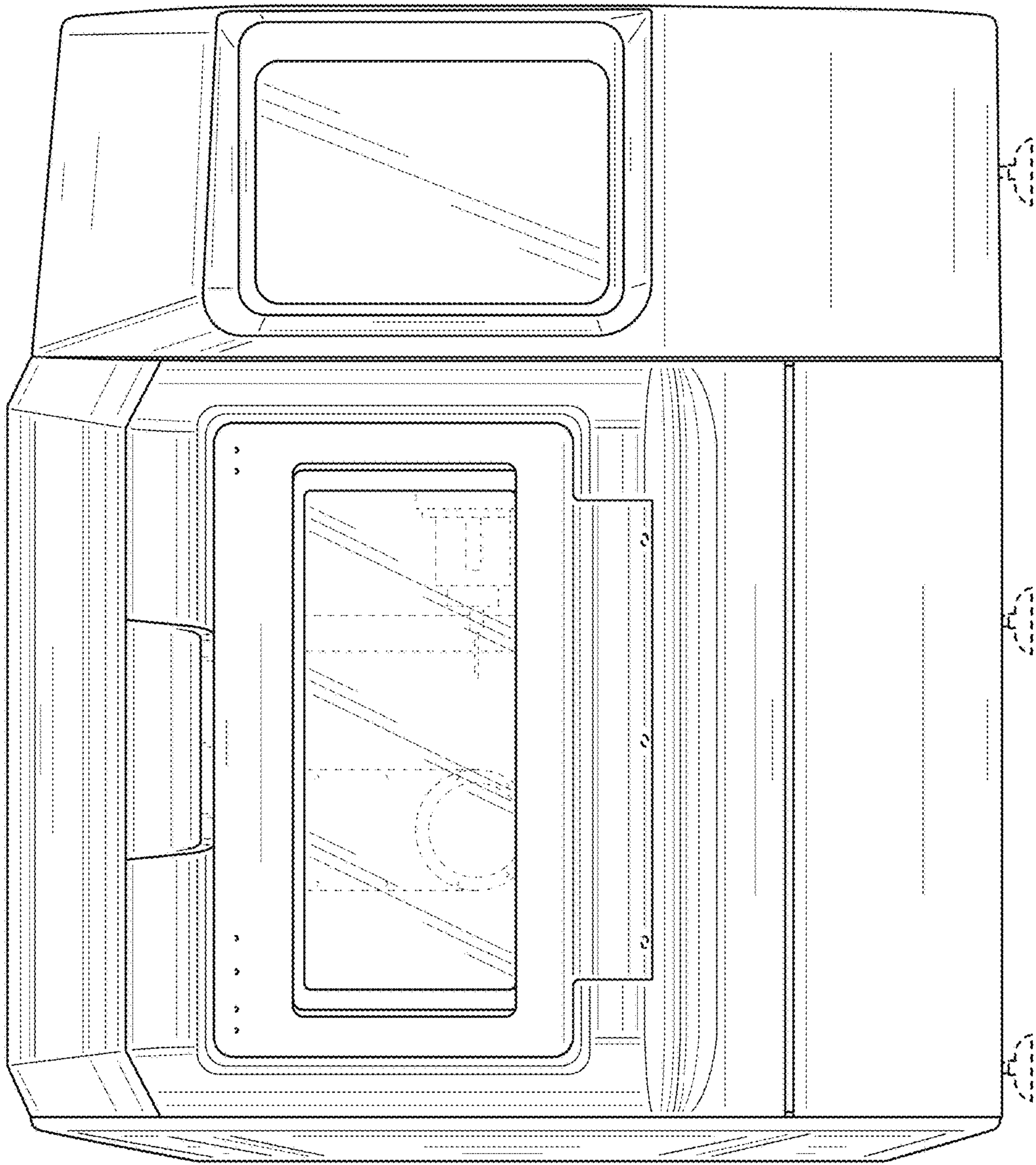


FIG. 2

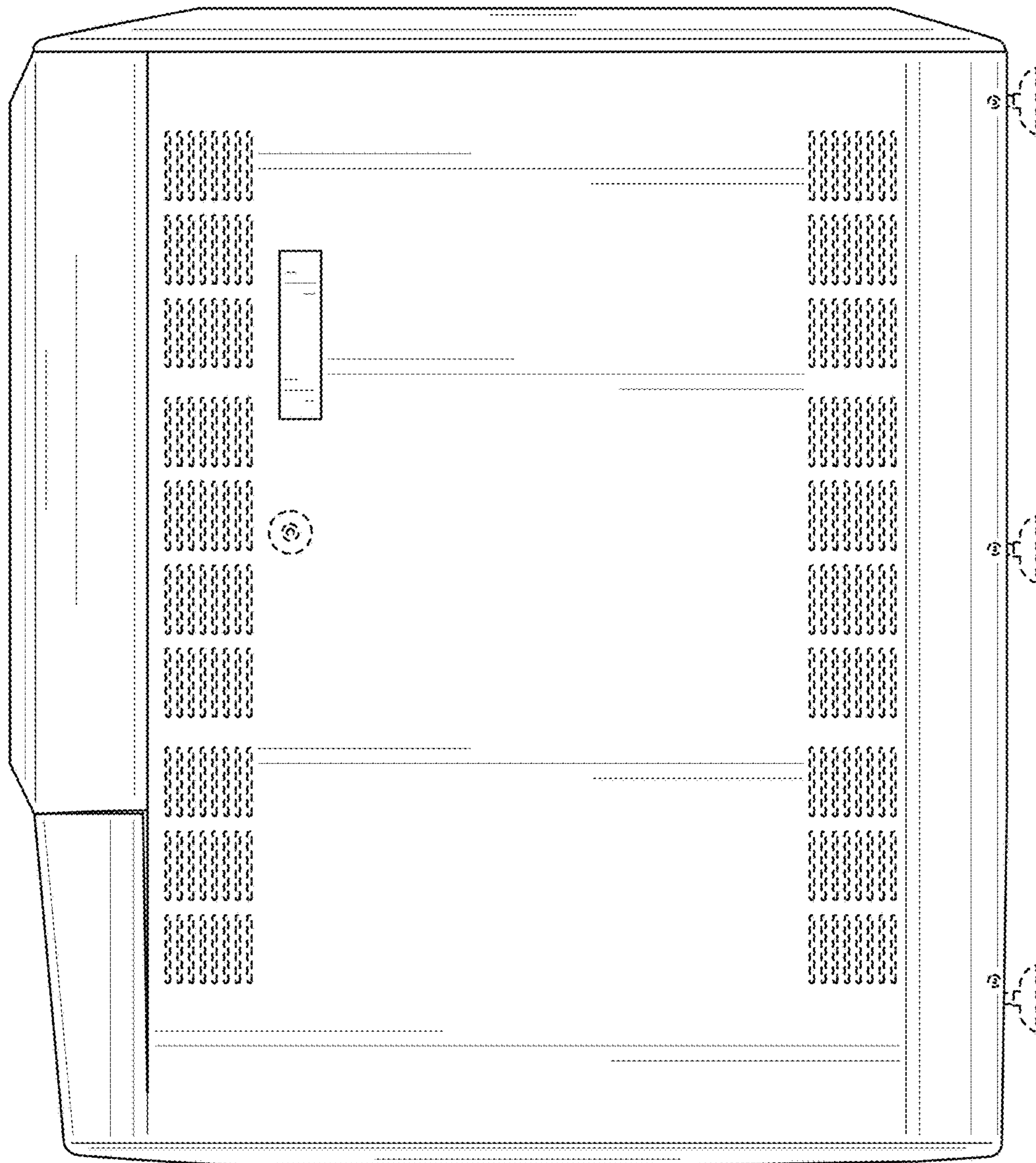


FIG. 3

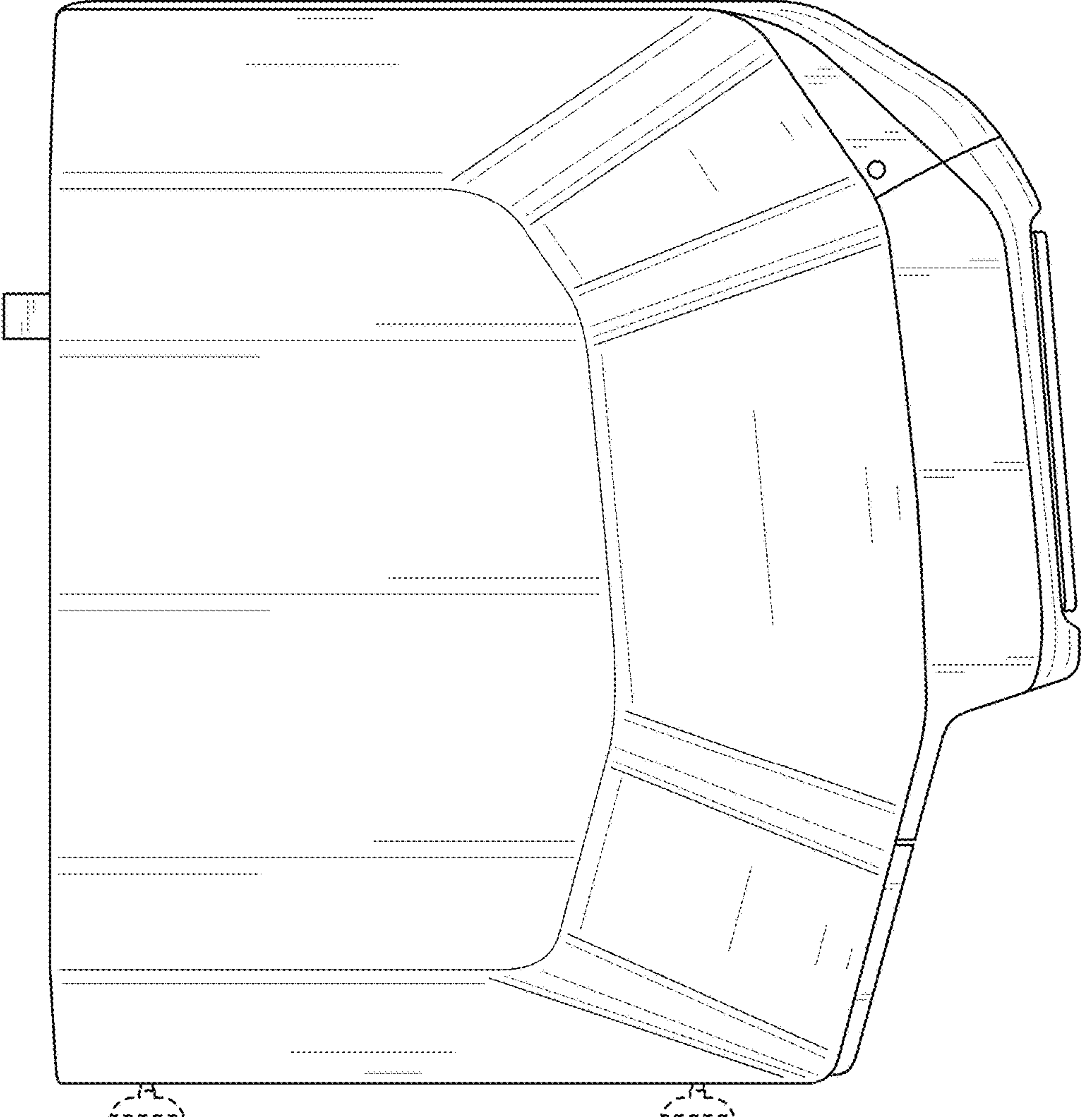


FIG. 4

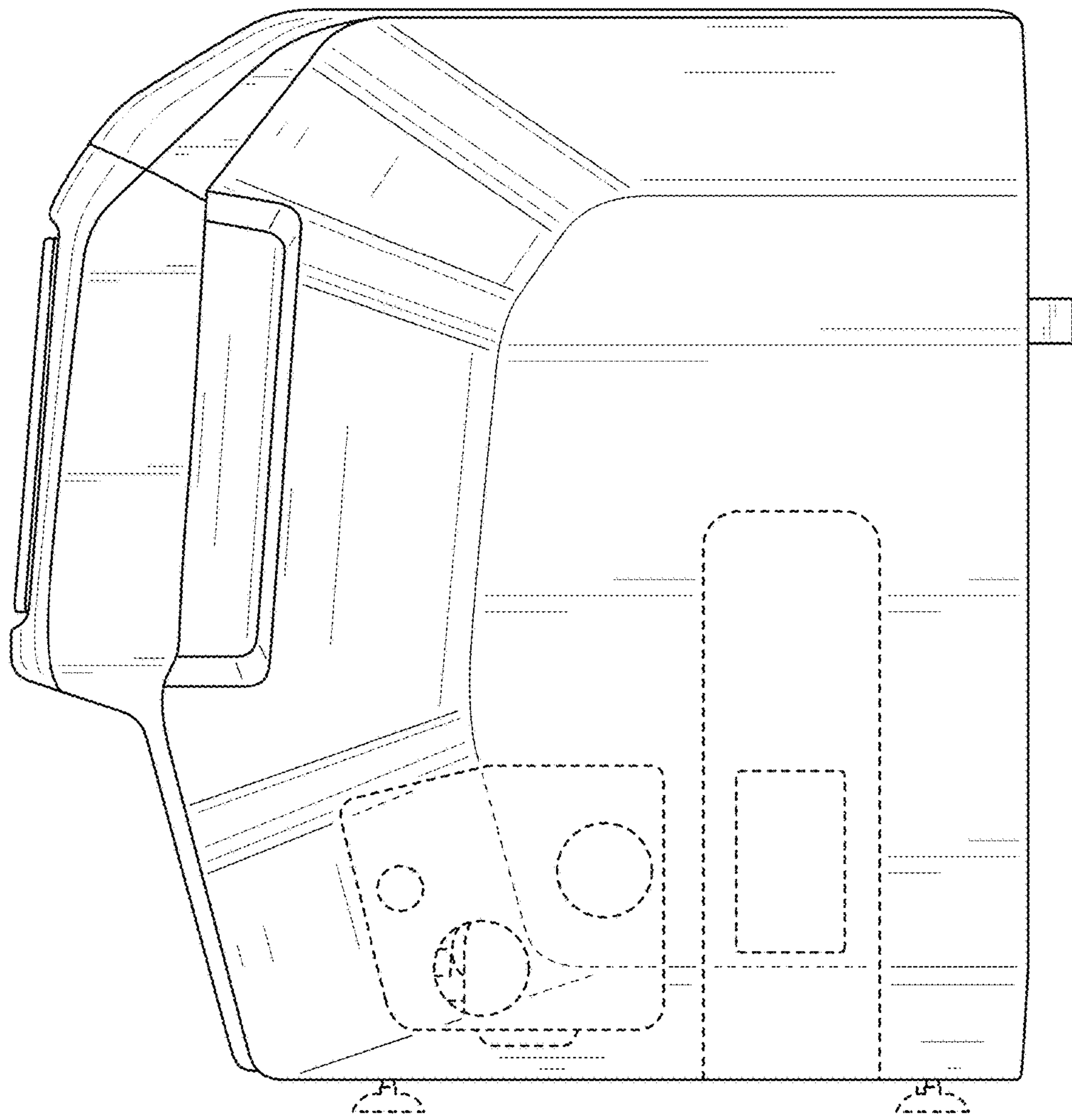


FIG. 5



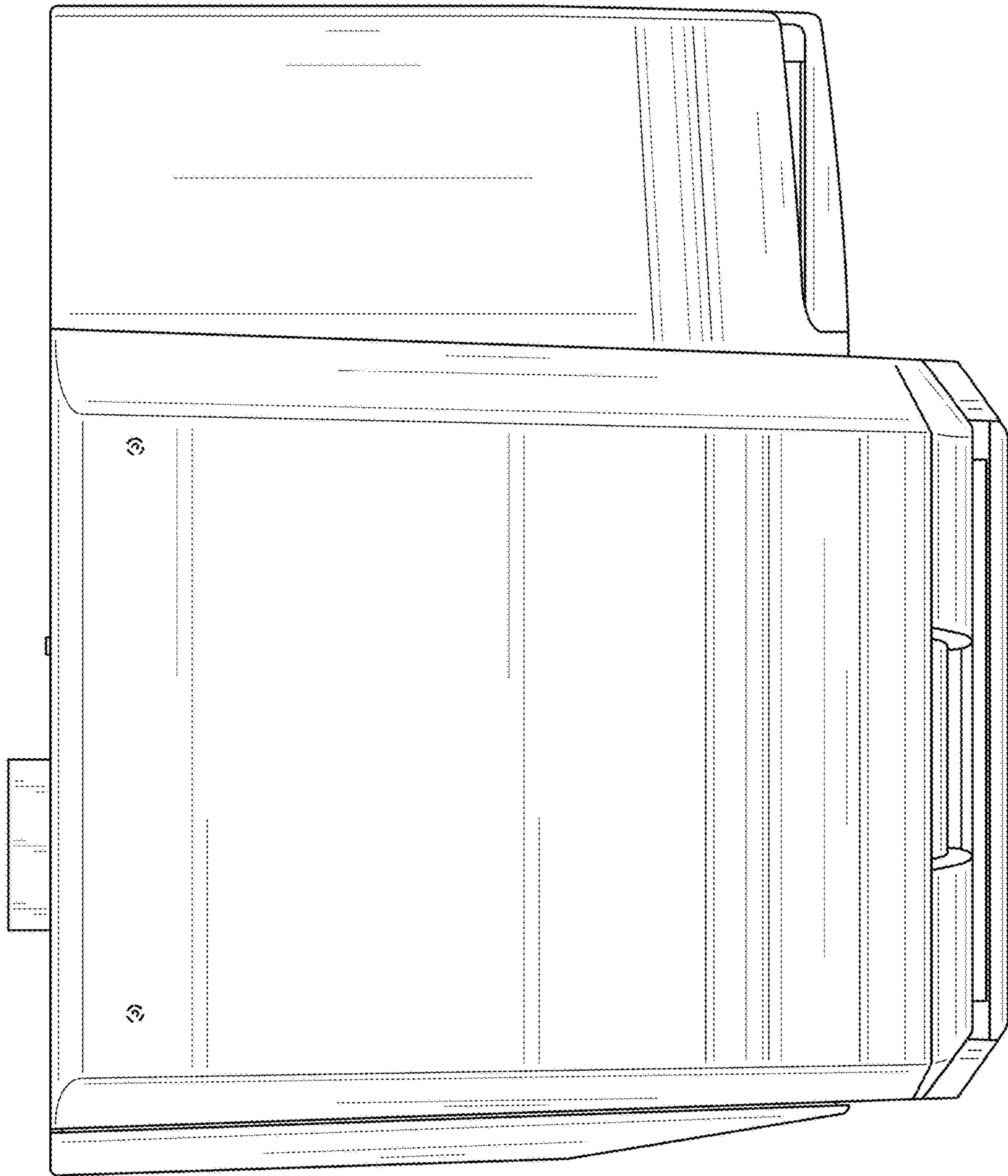


FIG. 6



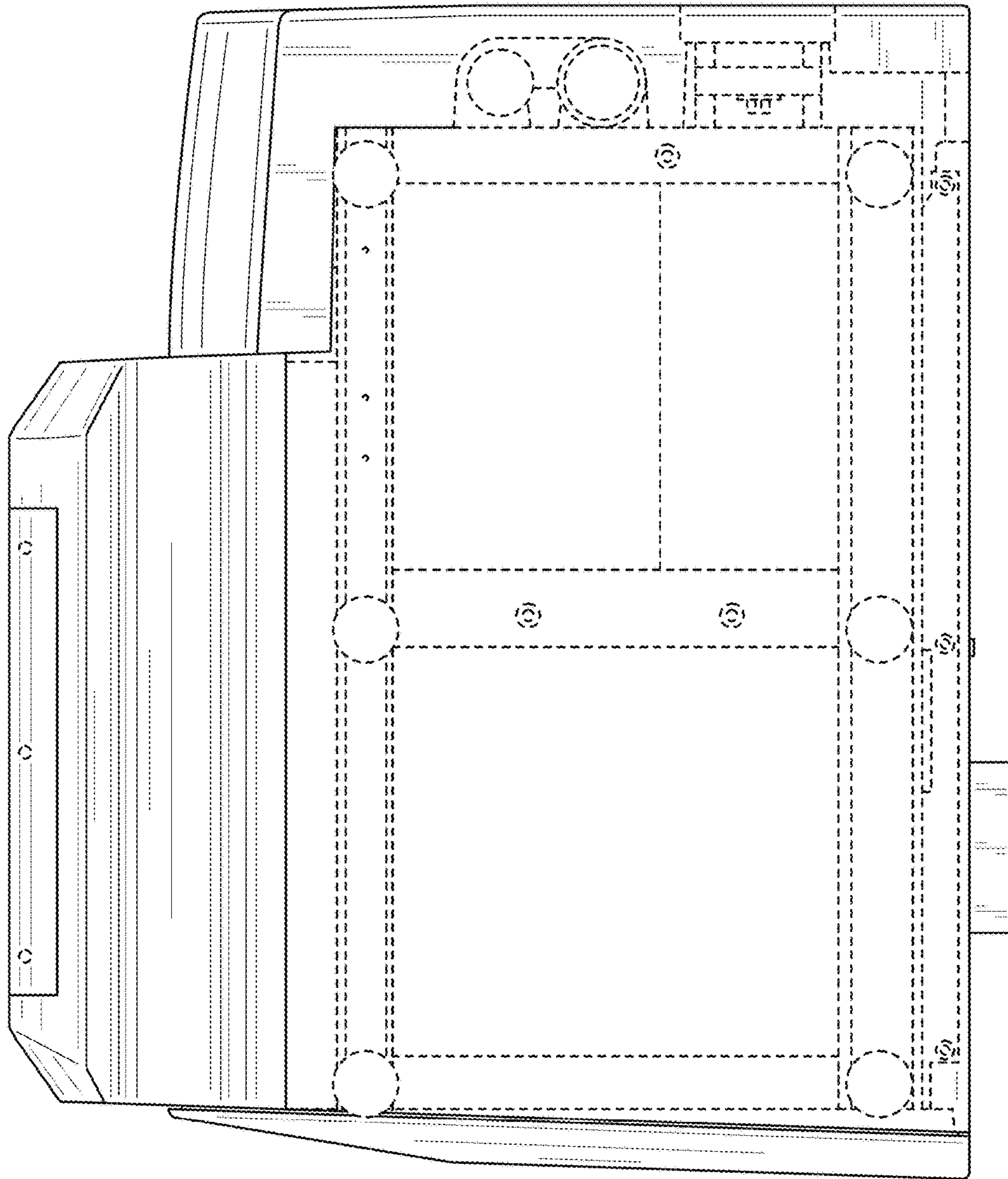


FIG. 7

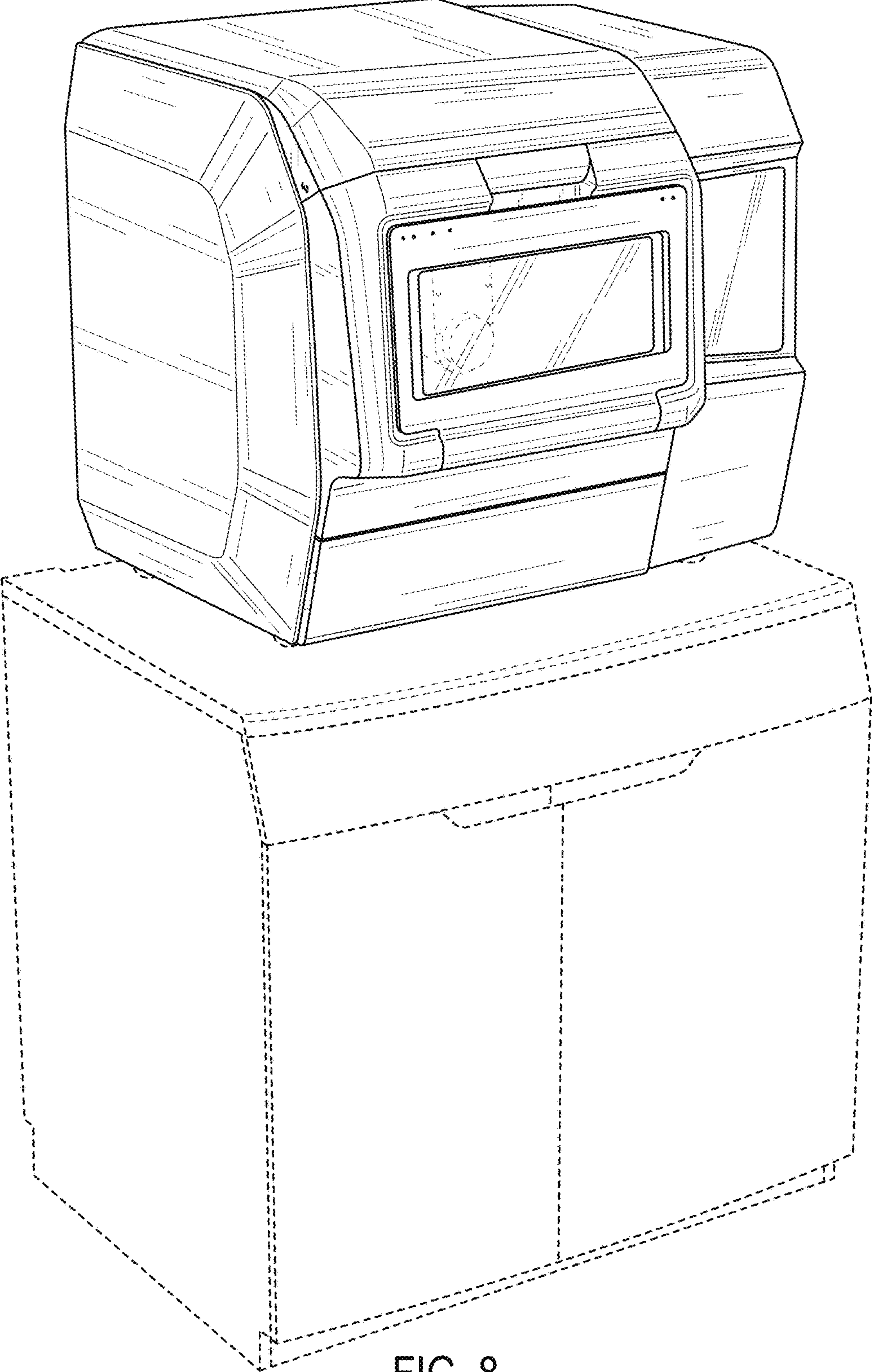


FIG. 8

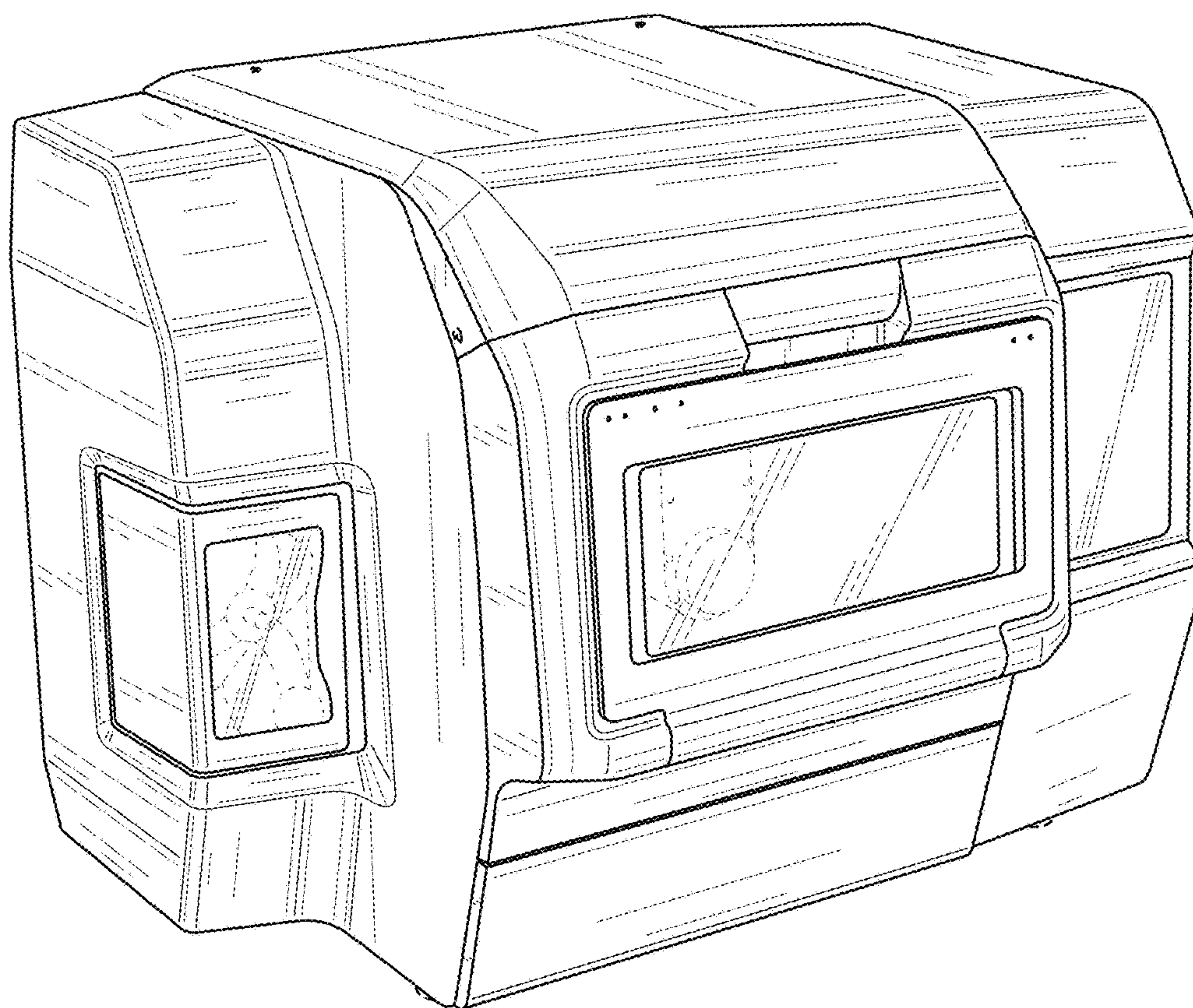


FIG. 9



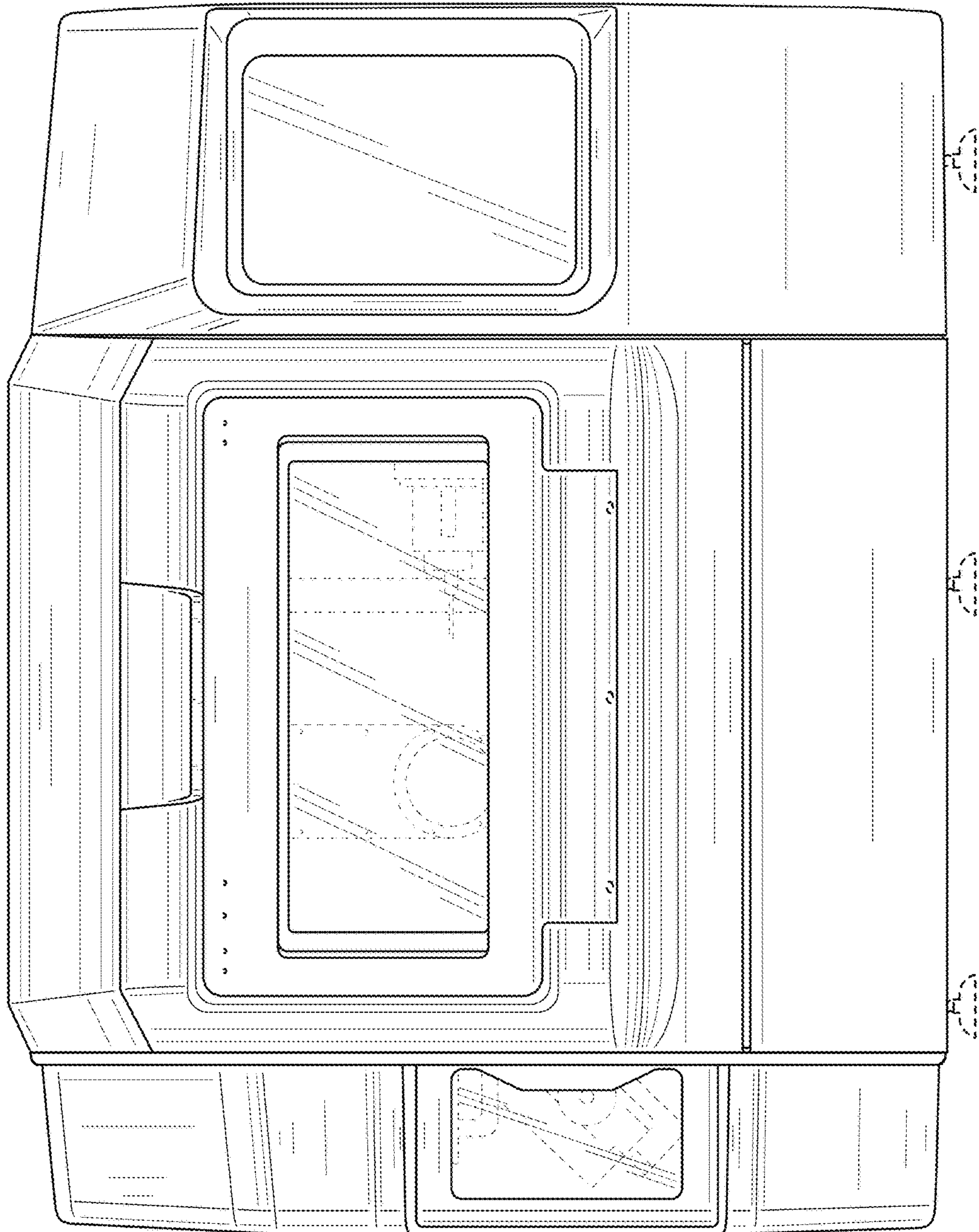


FIG. 10



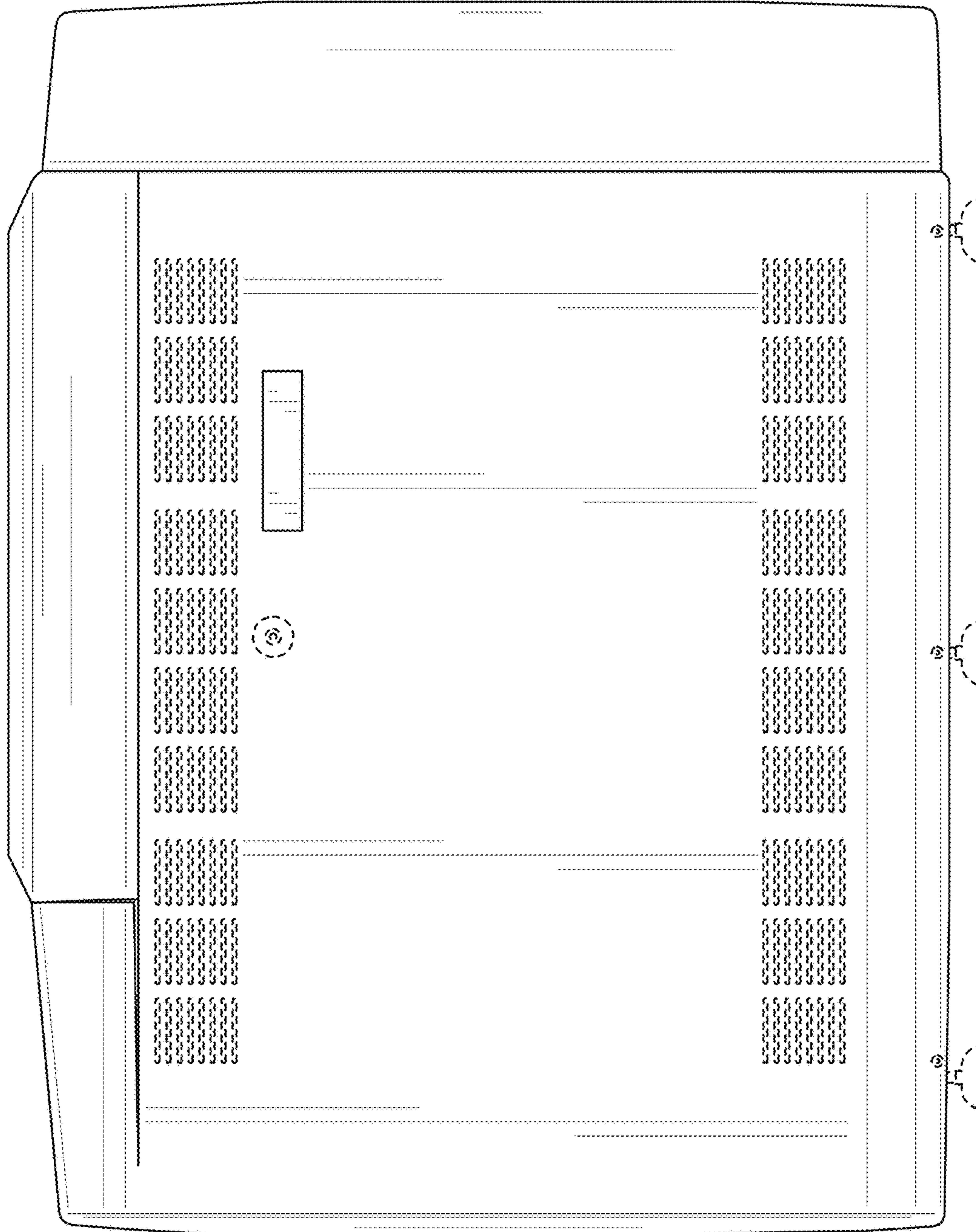


FIG. 11

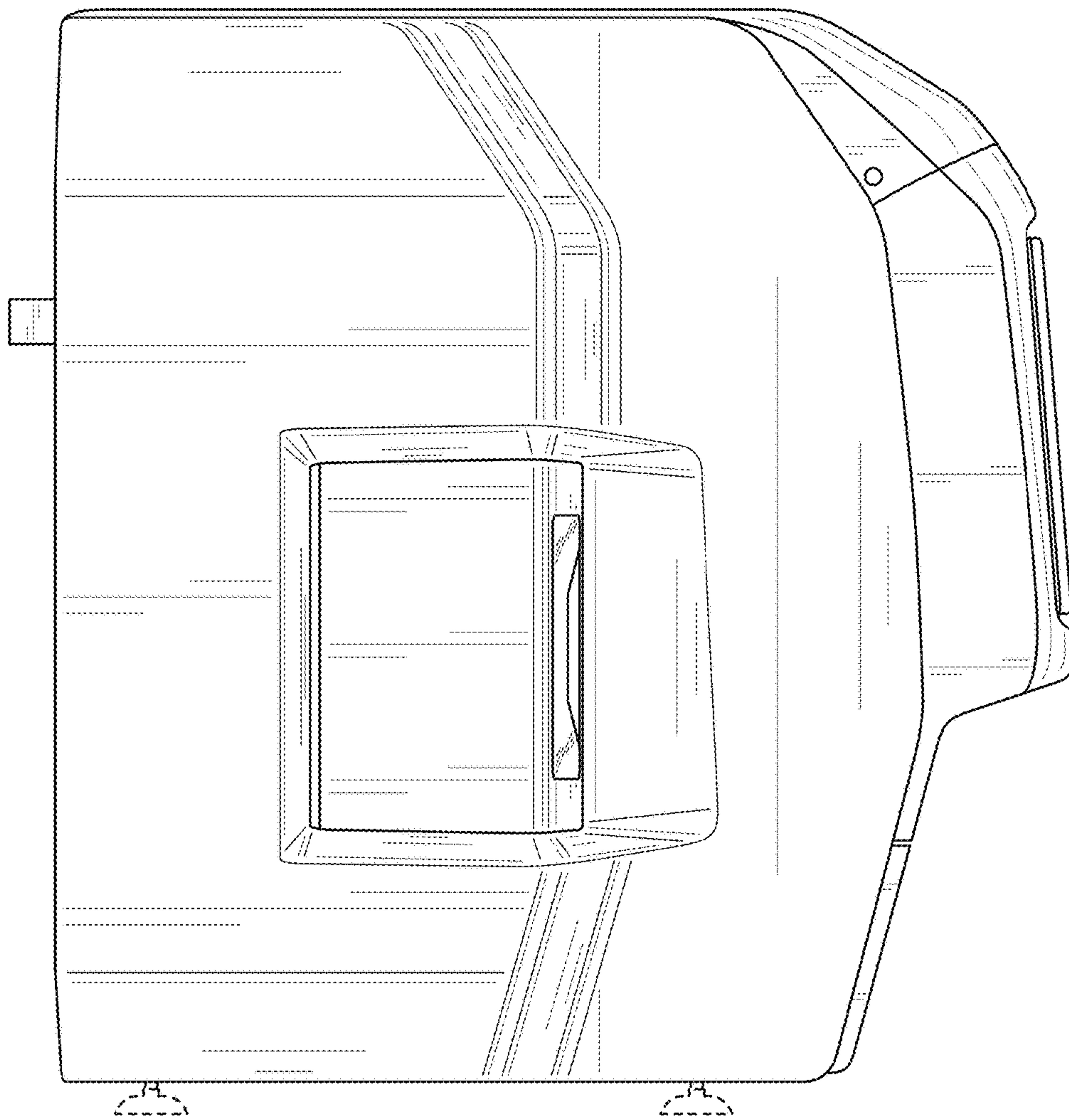


FIG. 12

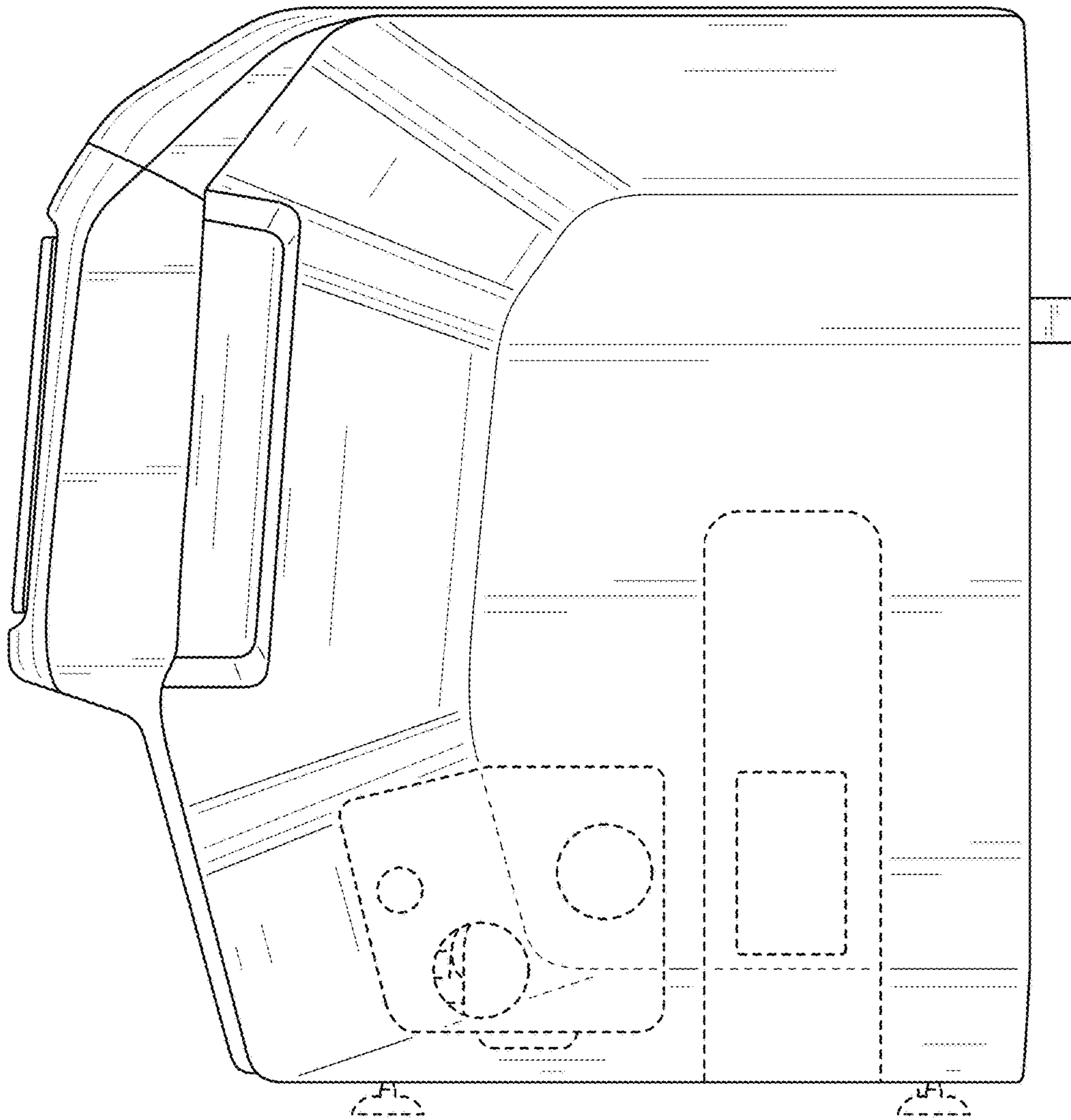


FIG. 13

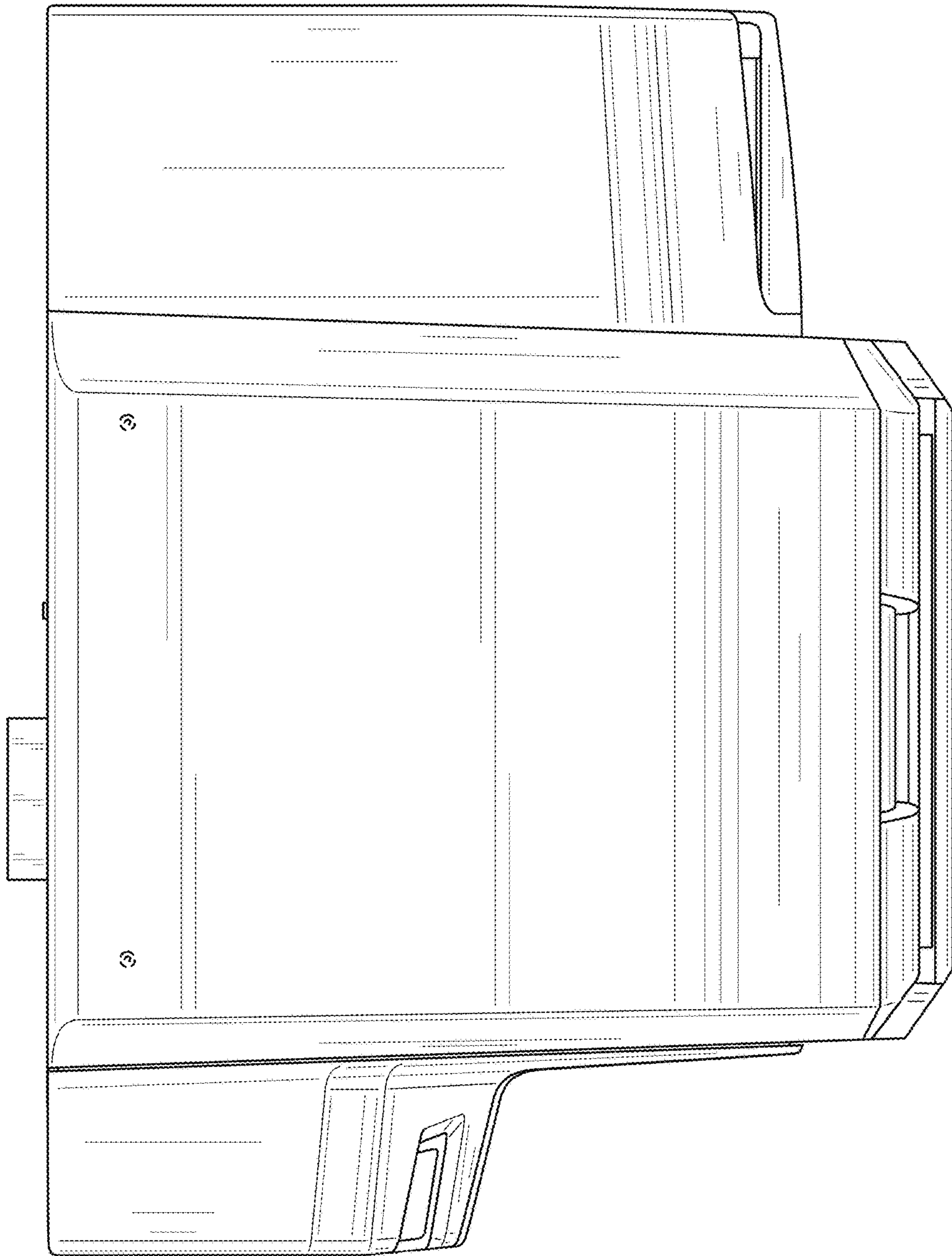


FIG. 14



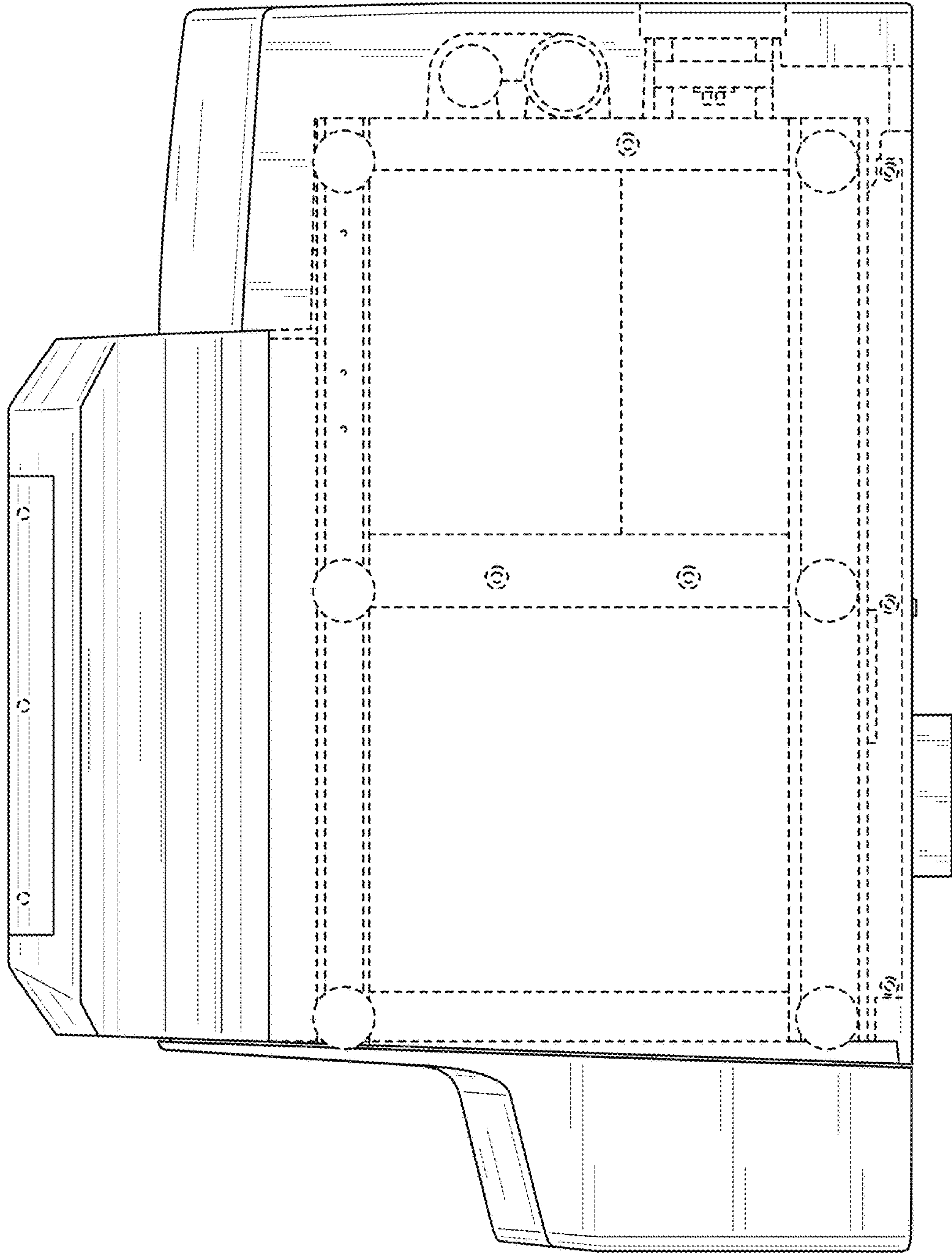


FIG. 15