



US00D837270S

(12) **United States Design Patent** (10) **Patent No.:** **US D837,270 S**
Myers et al. (45) **Date of Patent:** **** Jan. 1, 2019**

- (54) **THREE WHEEL BELT GRINDER**
- (71) Applicant: **IPW Industries Inc.**, LaVergne, TN (US)
- (72) Inventors: **Steven Myers**, Buffalo Valley, TN (US); **Charles Weber**, Onalaska, WI (US); **Thomas Balko**, La Crosse, WI (US)
- (73) Assignee: **JPW Industries Inc.**, LaVergne, TN (US)

(**) Term: **15 Years**

(21) Appl. No.: **29/584,018**

(22) Filed: **Nov. 10, 2016**

(51) **LOC (11) Cl.** **15-09**

(52) **U.S. Cl.**
USPC **D15/125**

(58) **Field of Classification Search**
USPC D8/24, 29.1, 30, 316, 62; D13/123, 133; D14/349; D15/122-126, 134, 142, 143, D15/144, 144.1, 144.2, 147-149, 199
CPC B24B 21/00; B24B 23/06; B24B 27/0084
See application file for complete search history.

(56) **References Cited**

U.S. PATENT DOCUMENTS

- D280,202 S * 8/1985 Aldridge, Jr. D15/124
- D280,328 S * 8/1985 Zampini, Jr. D15/124
- 4,646,475 A * 3/1987 Curtis B24B 47/02
451/308
- D293,763 S * 1/1988 Arehart D8/62
- D297,143 S * 8/1988 Wu D15/125
- D338,901 S * 8/1993 Chen D15/124
- D349,121 S * 7/1994 Holley D15/124
- D355,201 S * 2/1995 Brickner, Jr. D15/125
- D355,426 S * 2/1995 Chen D15/125
- D366,662 S * 1/1996 Haffely D15/124
- D378,372 S * 3/1997 Kim D15/125

- D412,175 S * 7/1999 Baughman D15/124
- D421,445 S * 3/2000 Huang D15/124
- D458,617 S * 6/2002 Wang D15/124
- D509,837 S * 9/2005 Sesona D15/125
- D570,173 S * 6/2008 O'Hern D8/62
- D570,661 S * 6/2008 O'Hern D8/62

(Continued)

Primary Examiner — Melanie H Tung

Assistant Examiner — Fritzgerald L Butac

(74) *Attorney, Agent, or Firm* — Waller Lansden Dortch & Davis, LLP; Blake M. Bernard

(57) **CLAIM**

The ornamental design of a three wheel belt grinder, as shown and described.

DESCRIPTION

FIG. 1 is a perspective view taken from the front, top, right-hand side of a three wheel belt grinder on a base; FIG. 2 is a perspective view taken from the front, top, right-hand side of a three wheel belt grinder showing our new design;

FIG. 3 is a perspective view taken from the front, top, left-hand side thereof;

FIG. 4 is a perspective view taken from the back, bottom, left-hand side thereof;

FIG. 5 is a perspective view taken from the back, bottom, right-hand side thereof;

FIG. 6 is a front elevational view thereof;

FIG. 7 is a rear elevational view thereof;

FIG. 8 is a side elevational view of the right side thereof;

FIG. 9 is a side elevational view of the left side thereof;

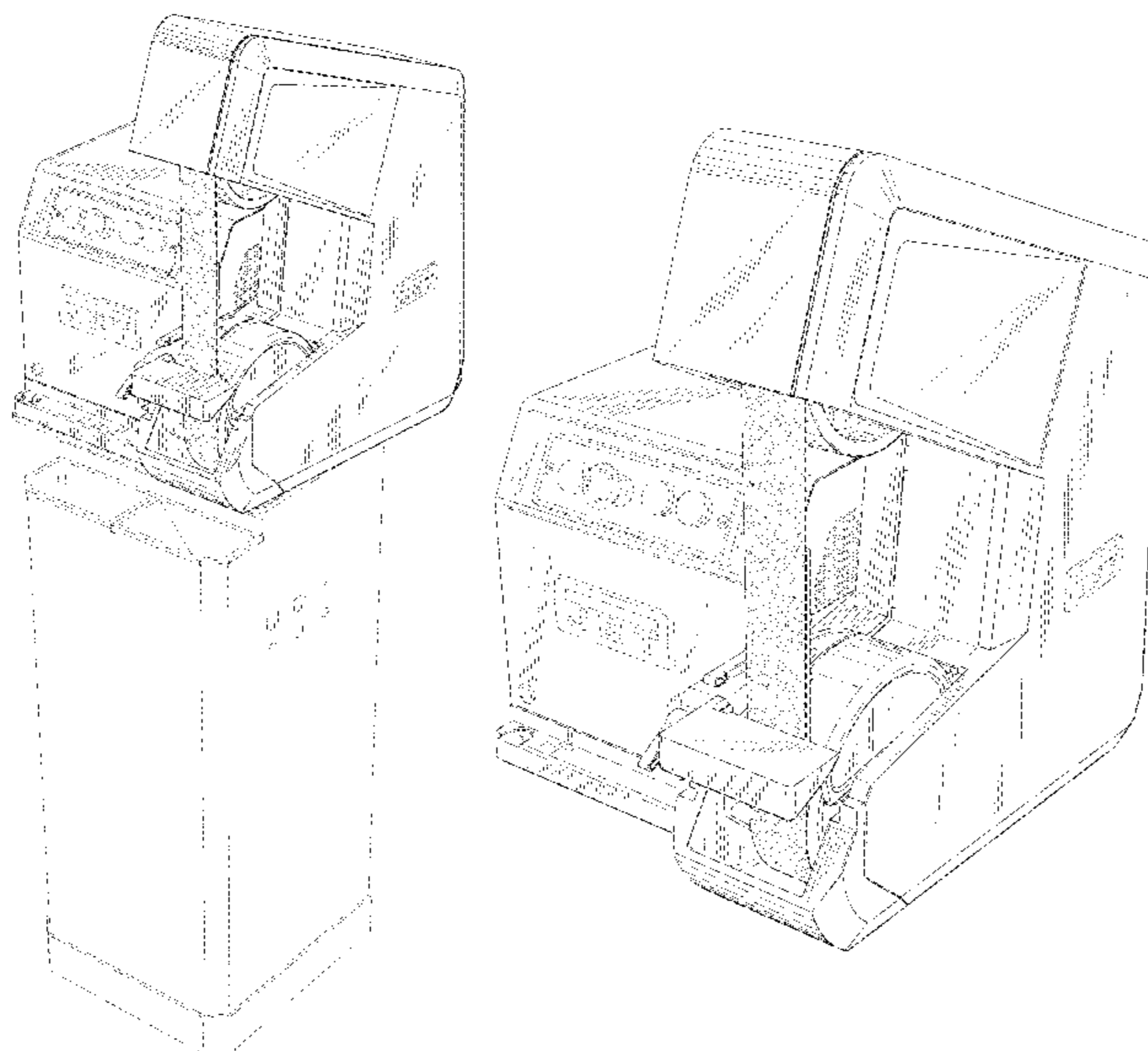
FIG. 10 is a top plan view thereof; and,

FIG. 11 is a bottom plan view thereof.

The broken lines throughout show portions of a three wheel belt grinder that form no part of the claimed design.

The broken lines showing of a base in FIG. 1 is for the purpose of showing environmental structure, and forms no part of the claimed design.

1 Claim, 11 Drawing Sheets



(56)

References Cited

U.S. PATENT DOCUMENTS

D594,887 S * 6/2009 Cigarini D15/125
D594,888 S * 6/2009 Cigarini D15/125
D595,318 S * 6/2009 Cigarini D15/125
D612,873 S * 3/2010 Spinelli D15/131
D626,154 S * 10/2010 Jebb D15/125
2015/0011143 A1 * 1/2015 Schwaiger B24B 41/066
451/410
2017/0355028 A1 * 12/2017 Myers B23D 55/023
2017/0355029 A1 * 12/2017 Myers B23D 53/006

* cited by examiner

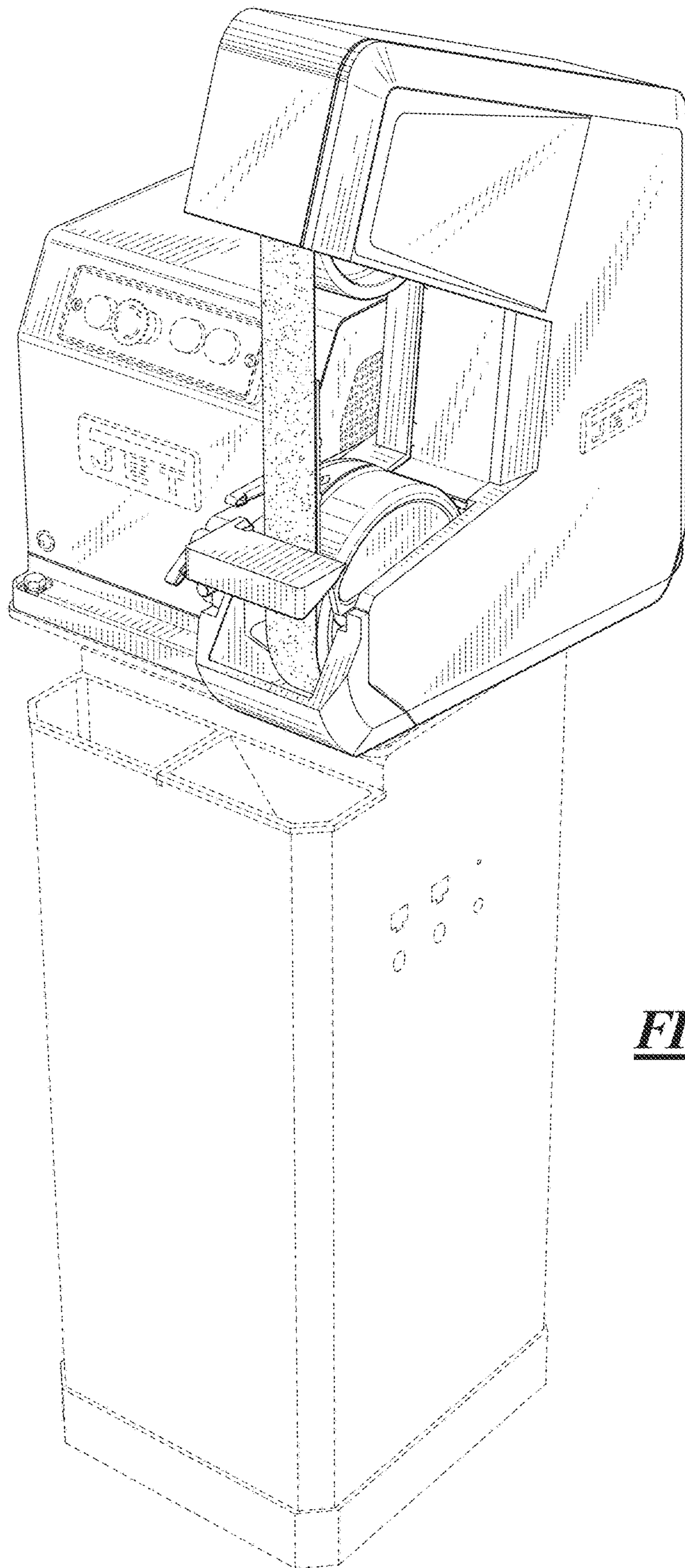
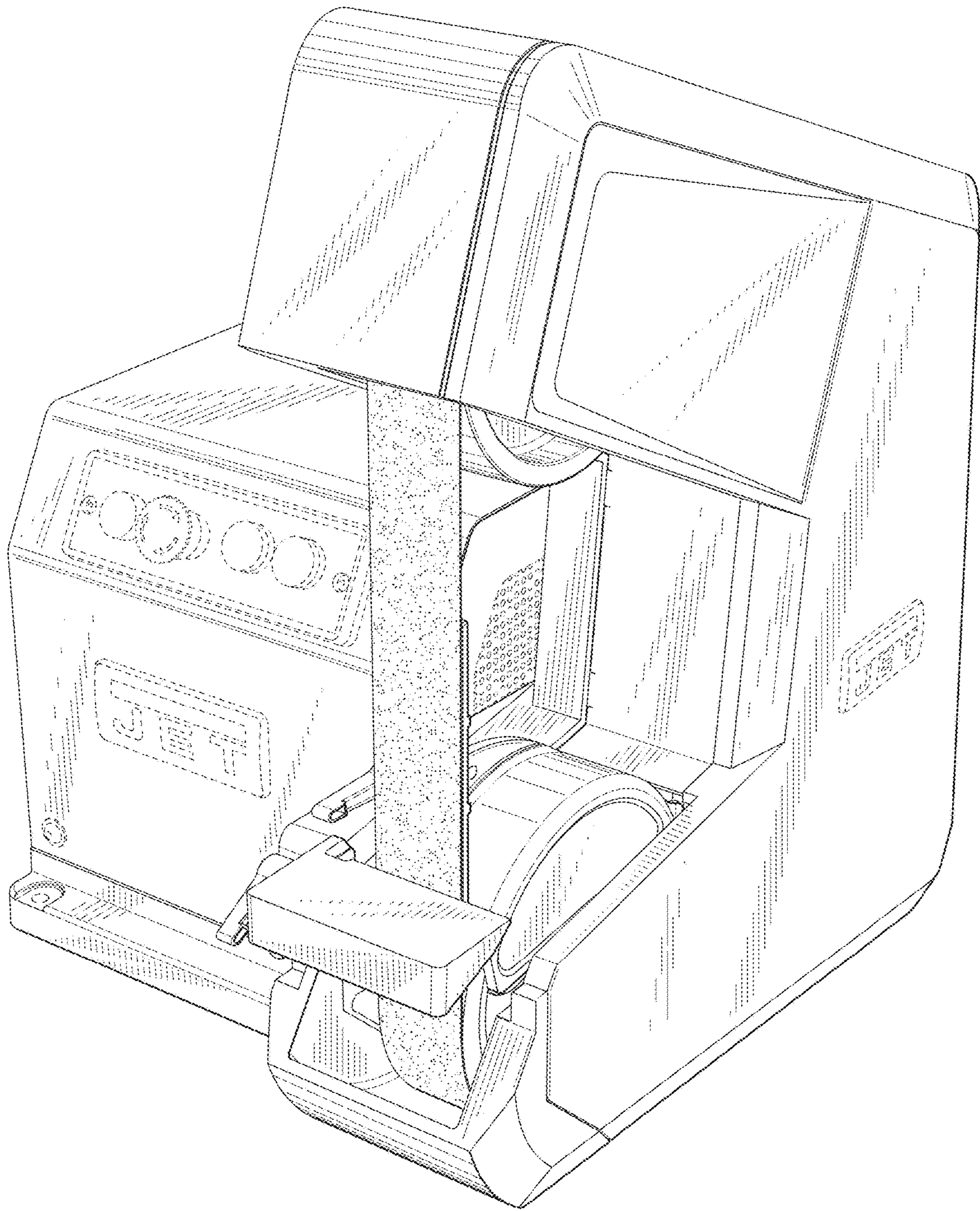


FIG. 1

FIG. 2



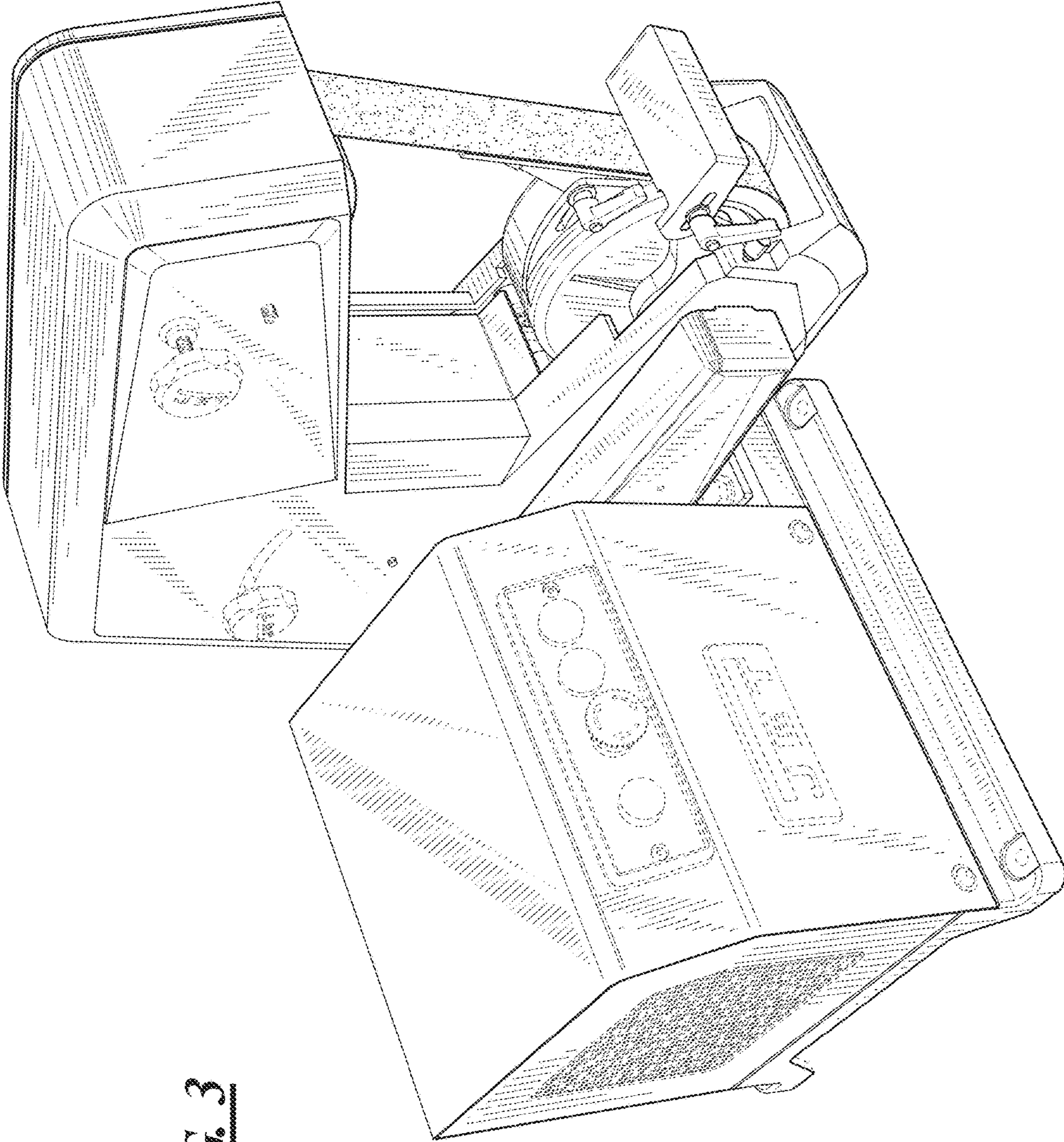


FIG. 3

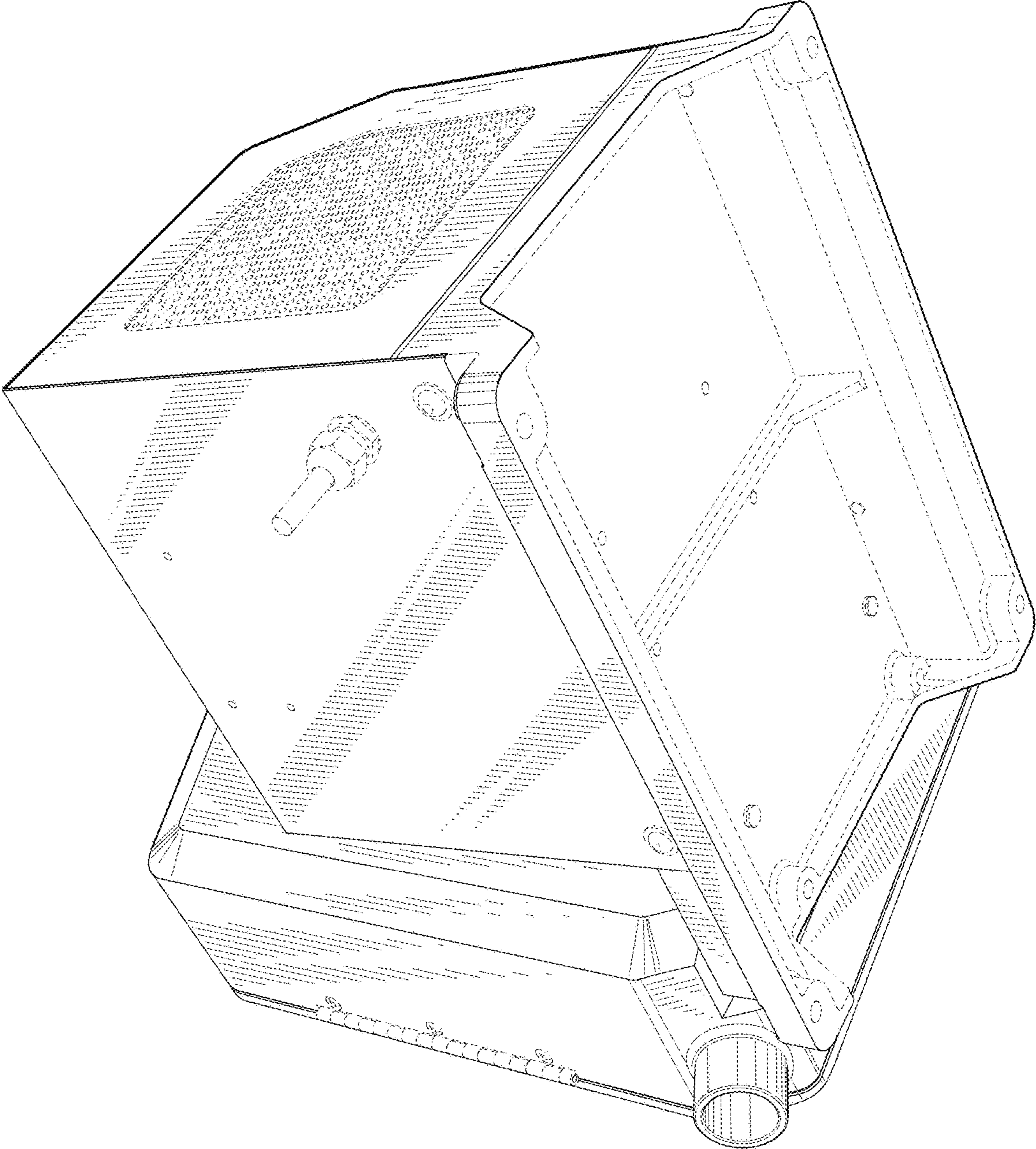


FIG. 4

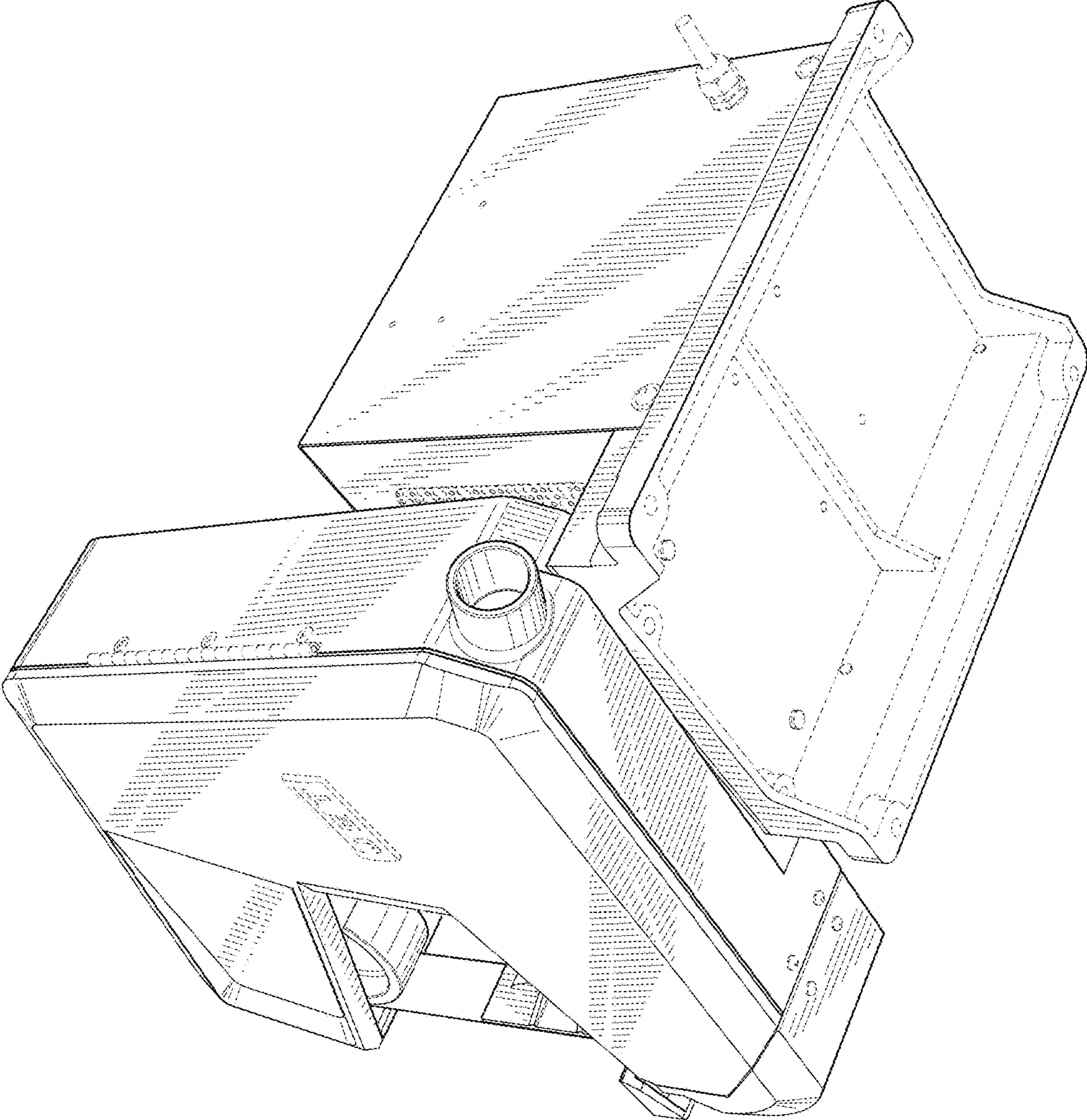


FIG. 5

FIG. 6

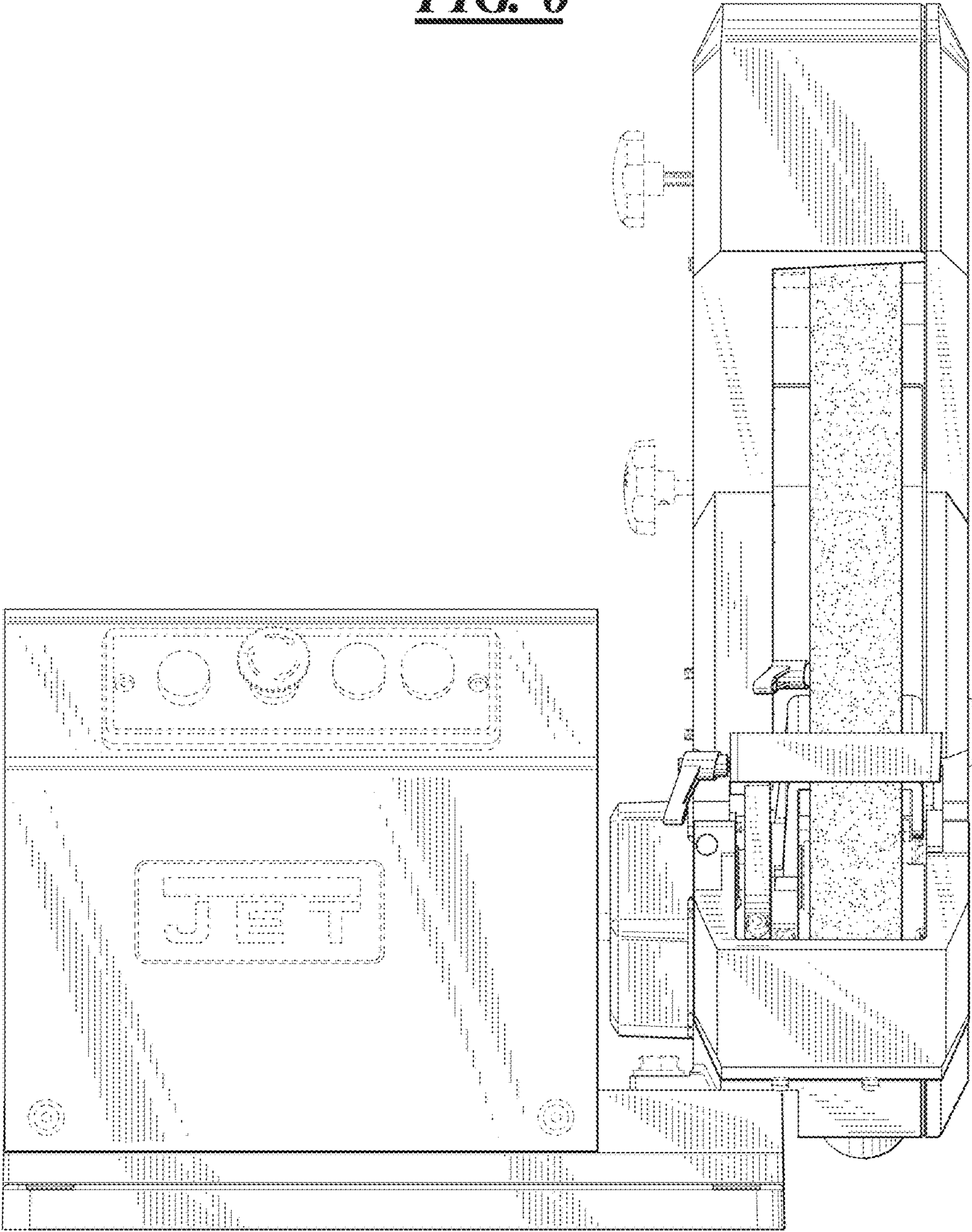


FIG. 7

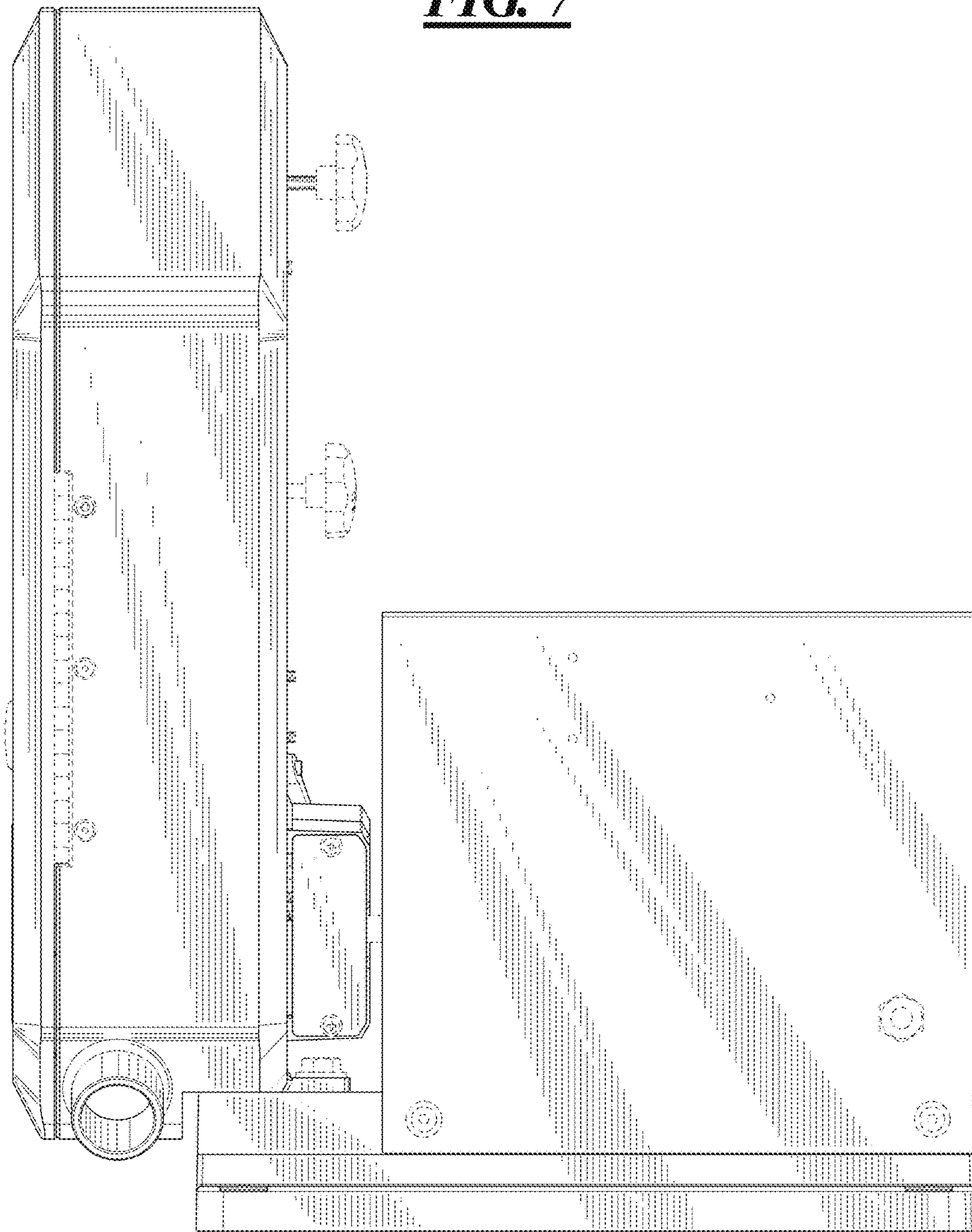


FIG. 8

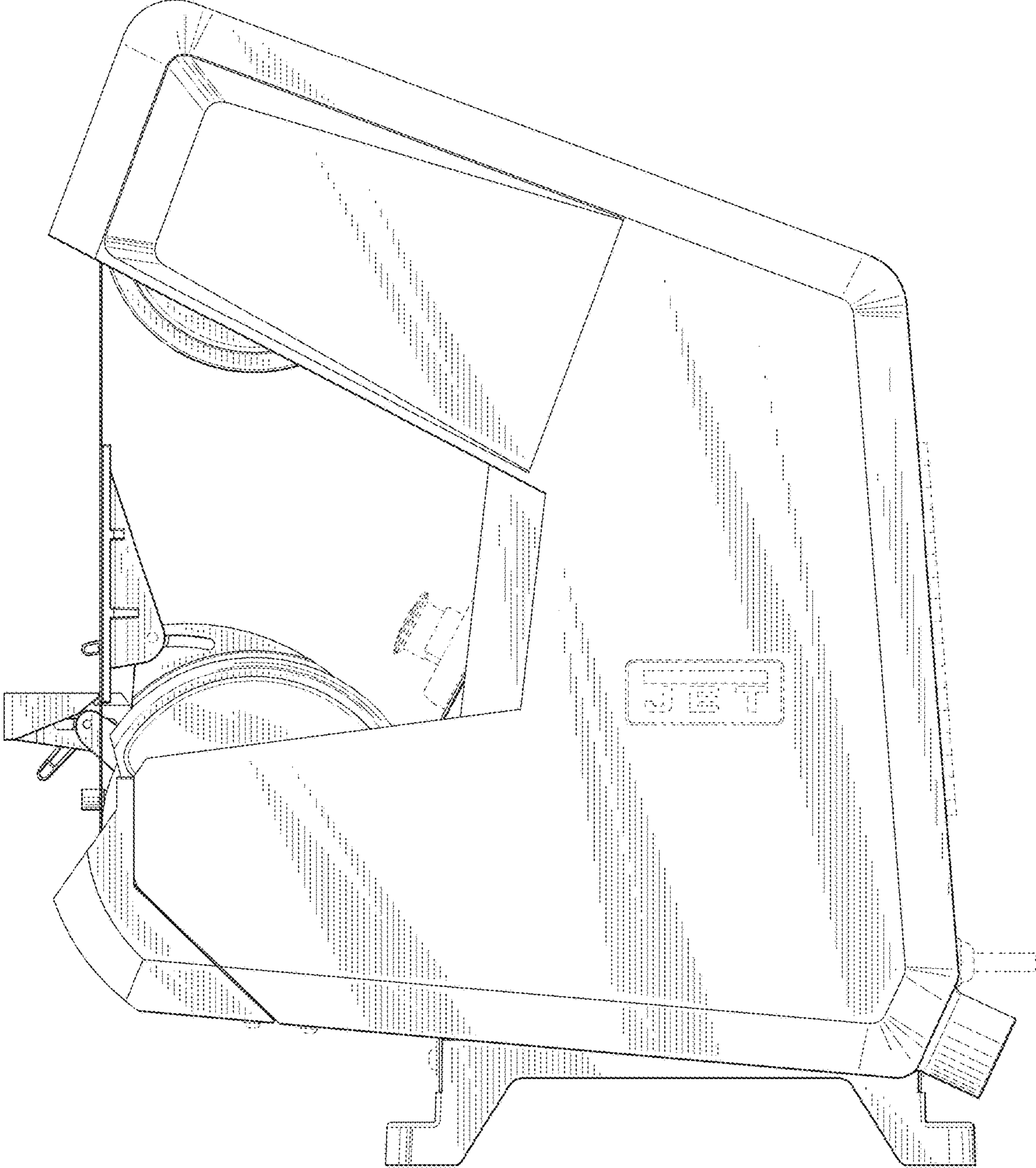


FIG. 9

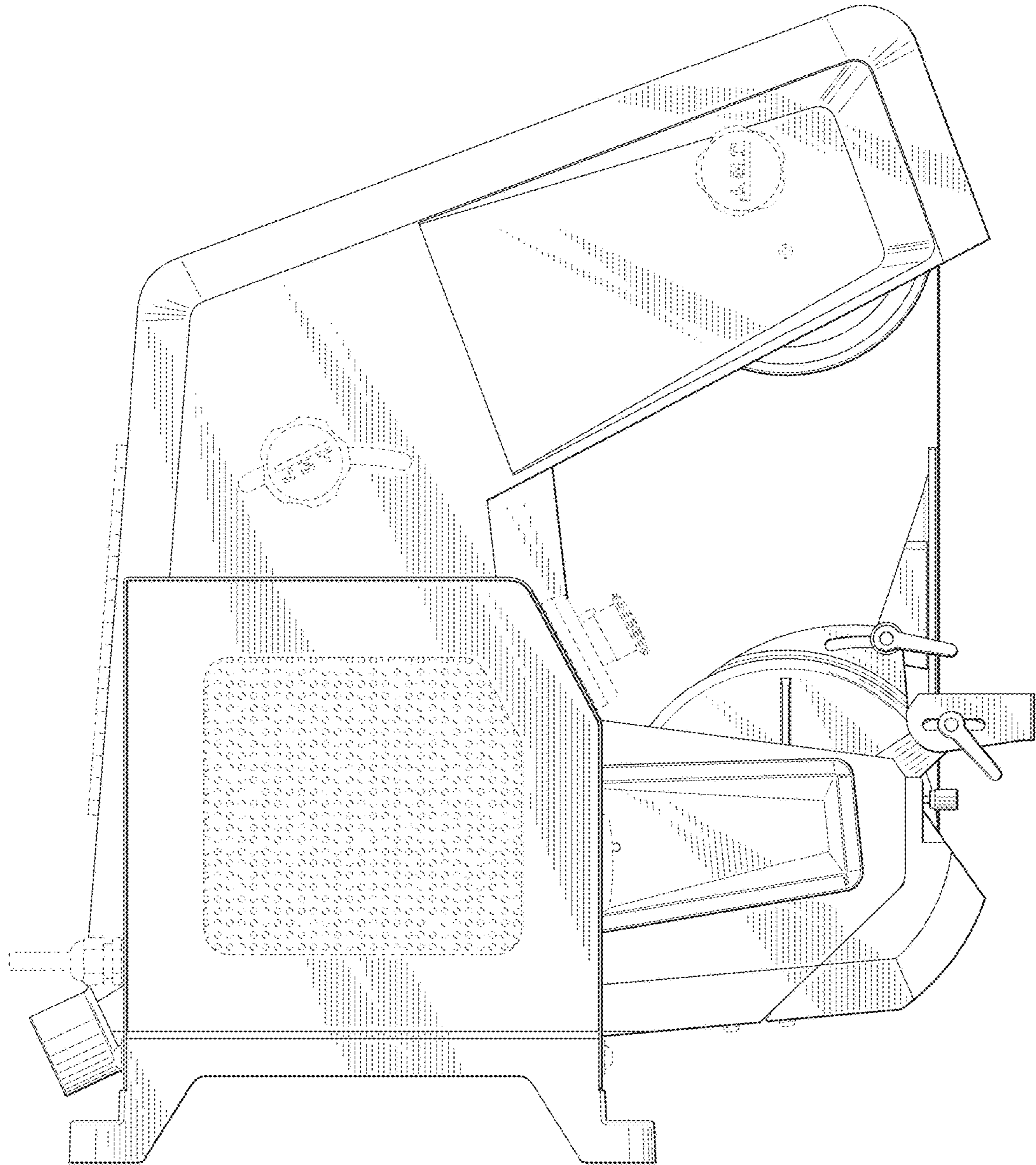


FIG. 10

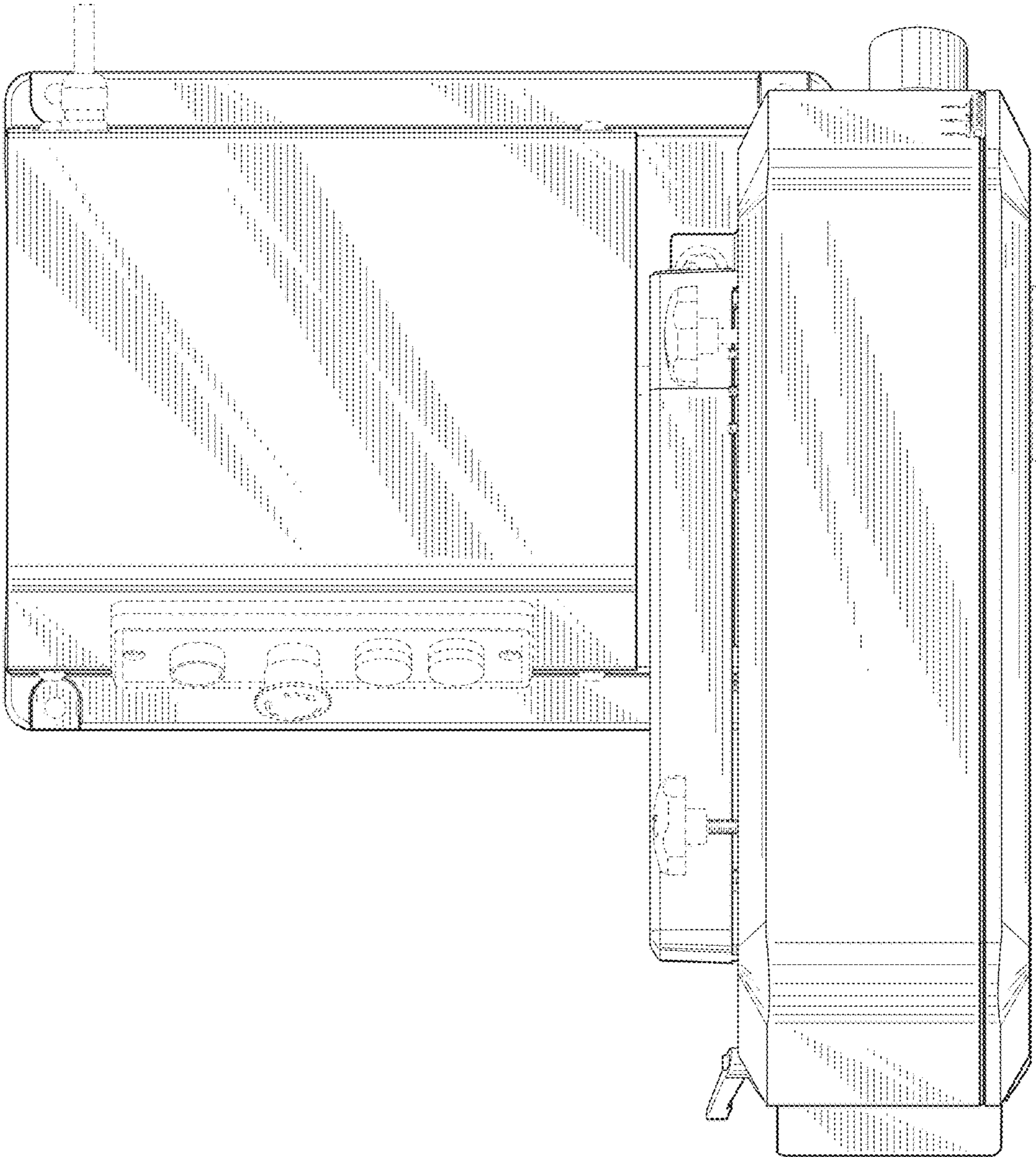


FIG. 11

