



US00D837269S

(12) **United States Design Patent**
Crowl

(10) **Patent No.:** **US D837,269 S**

(45) **Date of Patent:** **** Jan. 1, 2019**

- (54) **STAND ON SULKY**
- (71) Applicant: **Zac Crowl**, Batesville, AR (US)
- (72) Inventor: **Zac Crowl**, Batesville, AR (US)
- (**) Term: **15 Years**
- (21) Appl. No.: **29/622,470**
- (22) Filed: **Oct. 17, 2017**
- (51) **LOC (11) Cl.** **15-03**
- (52) **U.S. Cl.**
USPC **D15/27**
- (58) **Field of Classification Search**
USPC D15/27, 28; 280/493, 32.7
CPC B62D 63/00; B62D 51/02; B62D 51/008;
B60D 1/145; B62K 5/01; A01D 34/82;
A01D 34/001; A01D 2101/00
See application file for complete search history.

(56) **References Cited**

U.S. PATENT DOCUMENTS

- 5,004,251 A * 4/1991 Velke A01D 34/001
280/32.7
- 5,810,371 A * 9/1998 Velke B60D 1/143
280/32.7
- 5,842,707 A * 12/1998 Smith B62D 51/04
280/32.7
- 5,882,020 A * 3/1999 Velke B60D 1/143
280/32.7
- D417,676 S * 12/1999 Havener D15/17
- 6,062,582 A * 5/2000 Martin B62D 51/02
280/32.7
- 6,375,201 B2 * 4/2002 Havener B60D 1/00
280/32.7
- 6,637,760 B1 * 10/2003 Carman A01D 34/001
280/32.7
- 6,692,010 B1 * 2/2004 Johnson A01D 34/001
280/32.7

- 7,059,615 B2 * 6/2006 Johnson A01D 34/001
280/32.7
- 7,364,169 B2 * 4/2008 Velke A01D 34/82
280/32.7
- 7,523,795 B2 * 4/2009 Velke A01D 34/82
180/19.1

(Continued)

Primary Examiner — Mark A Goodwin

(74) *Attorney, Agent, or Firm* — Keisling & Pieper PLC;
Trent C. Keisling

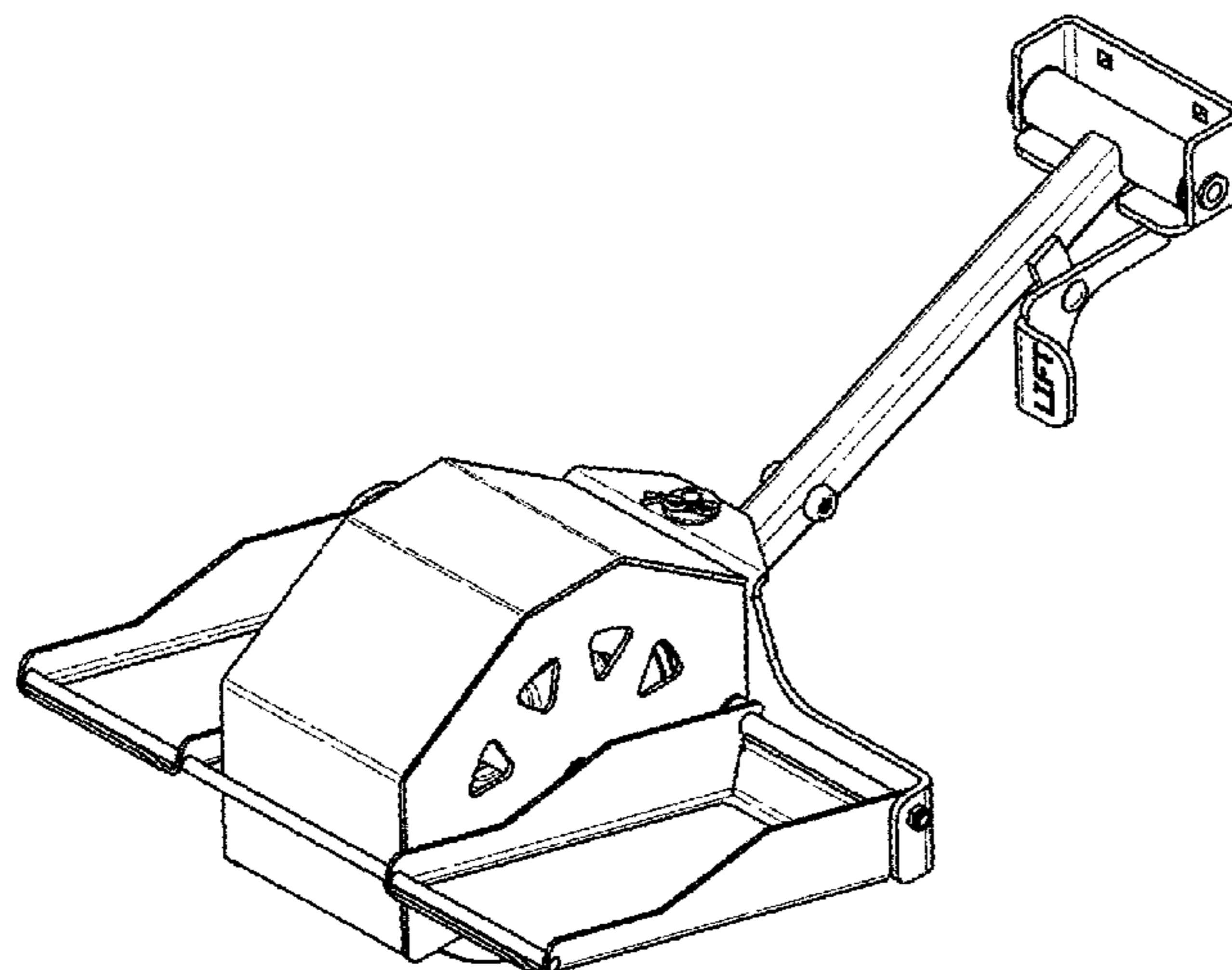
(57) **CLAIM**

The ornamental design for a stand on sulky, as shown and described.

DESCRIPTION

FIG. 1 is a perspective view taken generally from the top of a stand on sulky showing my new design;
 FIG. 2 is a perspective view taken generally from the bottom thereof;
 FIG. 3 is a perspective view taken generally from the back thereof;
 FIG. 4 is an elevational view from the back side thereof;
 FIG. 5 is an elevational view from the front side thereof;
 FIG. 6 is an elevational view taken from the left side thereof;
 FIG. 7 is an elevational view taken from the right side thereof;
 FIG. 8 is a top plan view thereof;
 FIG. 9 is a bottom plan view thereof;
 FIG. 10 is a perspective view taken general from the top and showing the foot supports in a depressed configuration thereof;
 FIG. 11 is a perspective view taken generally from the bottom and showing the foot supports in a depressed configuration thereof;
 FIG. 12 is a perspective view taken generally from the back thereof and showing the foot supports in a depressed configuration thereof; and,
 FIG. 13 is an elevational view taken from the left side and showing the foot supports in a depressed configuration.

1 Claim, 6 Drawing Sheets



(56)

References Cited

U.S. PATENT DOCUMENTS

7,527,285 B2 * 5/2009 Vachal B62D 51/008
280/32.7
7,624,996 B2 * 12/2009 Velke A01D 34/82
280/32.7
7,712,751 B2 * 5/2010 Beal A01D 34/001
172/257
D673,586 S * 1/2013 Truan D15/13
9,661,802 B1 * 5/2017 Seliga A01D 34/003
2001/0026055 A1 * 10/2001 Havener B60D 1/00
280/32.7
2005/0242533 A1 * 11/2005 Johnson A01D 34/001
280/32.7
2006/0290080 A1 * 12/2006 Vachal B62D 51/008
280/32.7

* cited by examiner

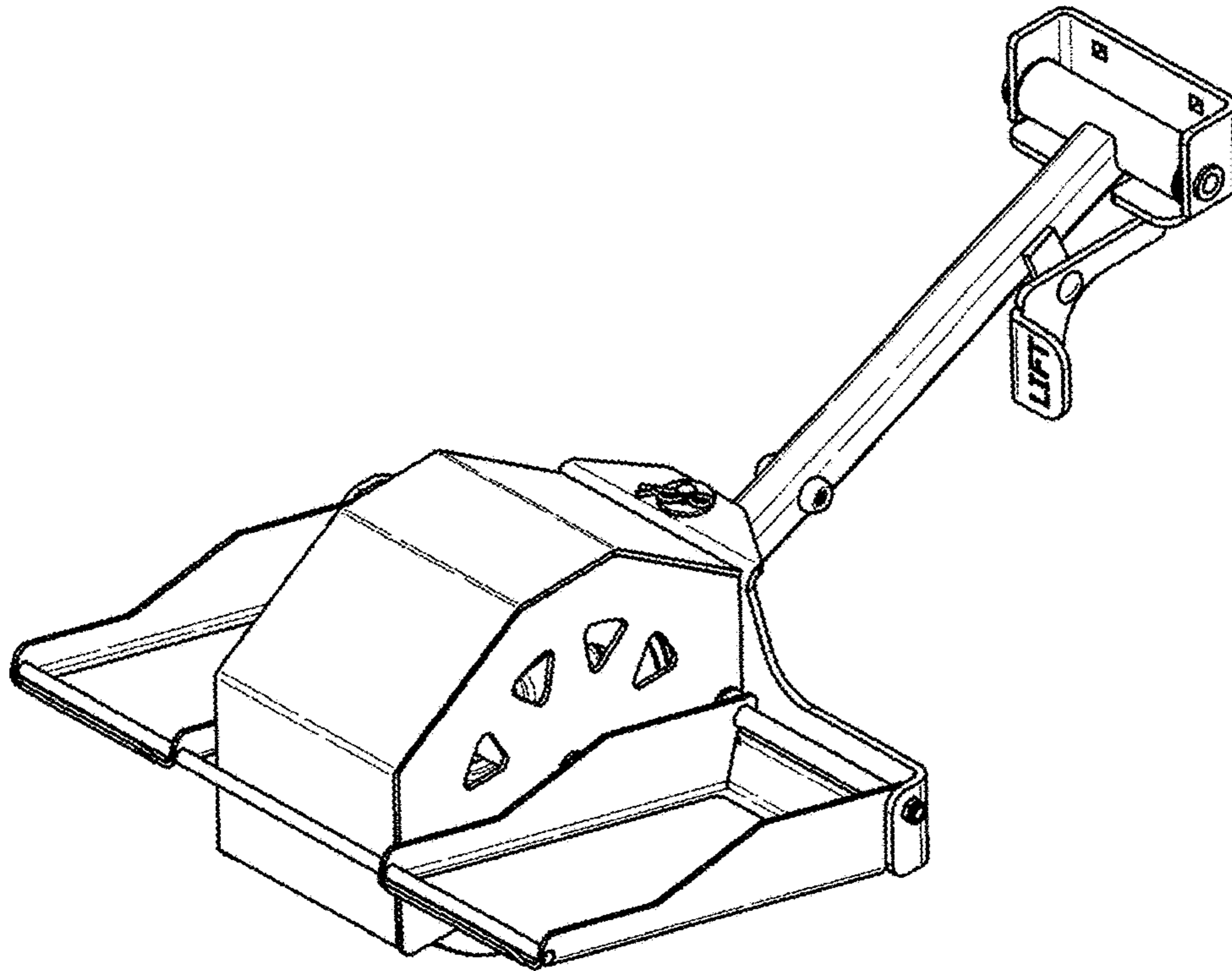


FIG. 1

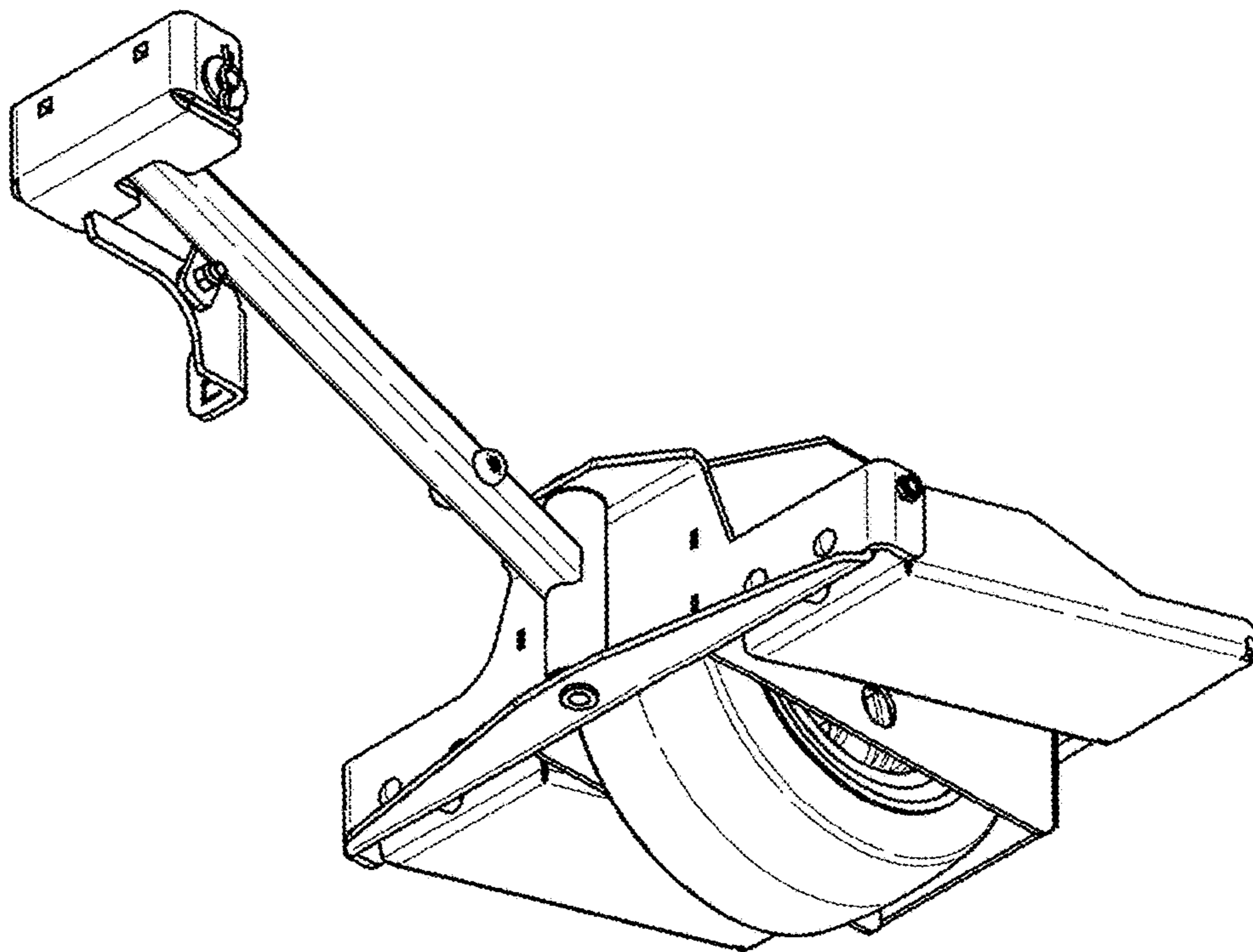


FIG. 2

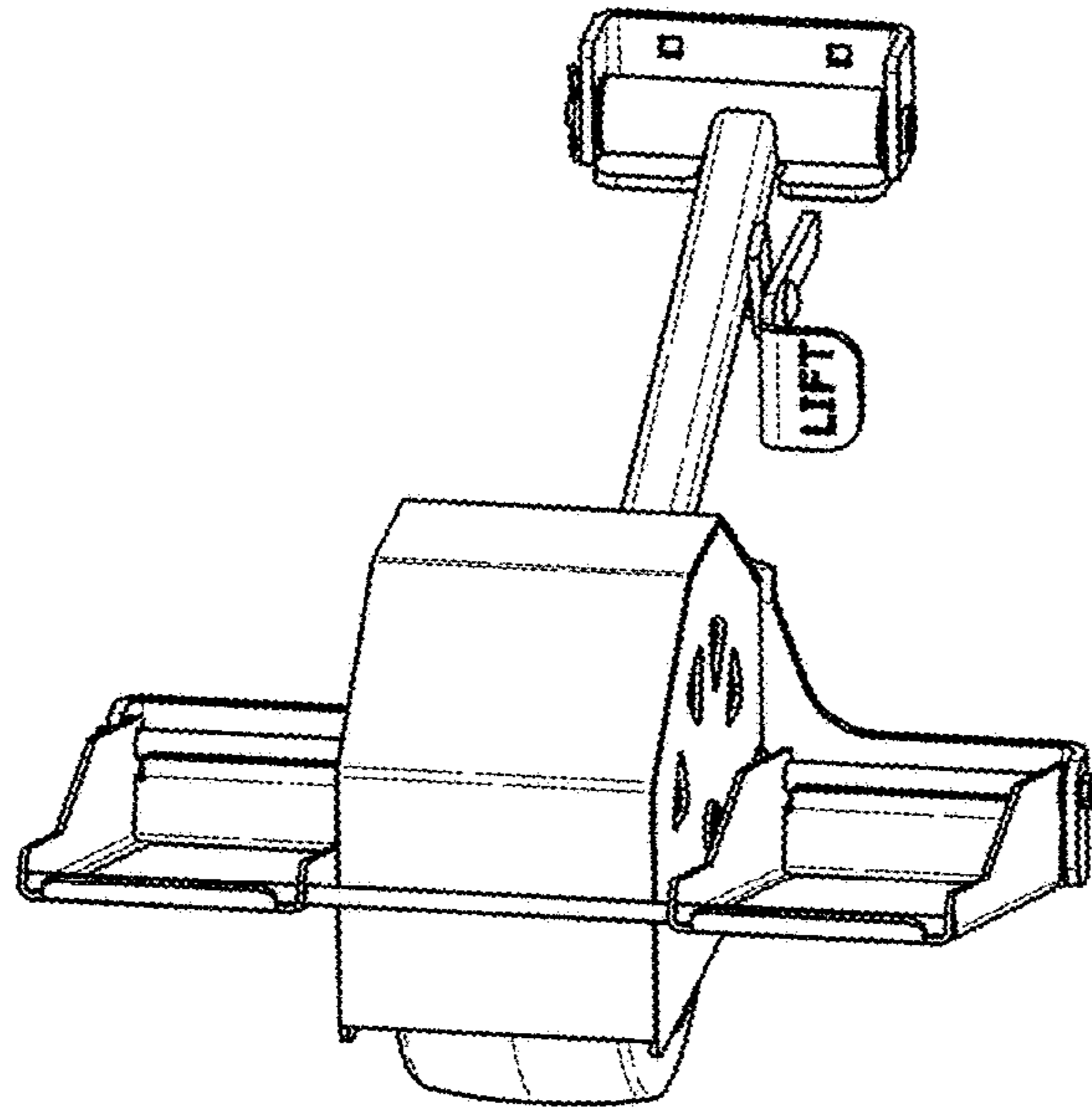


FIG. 3

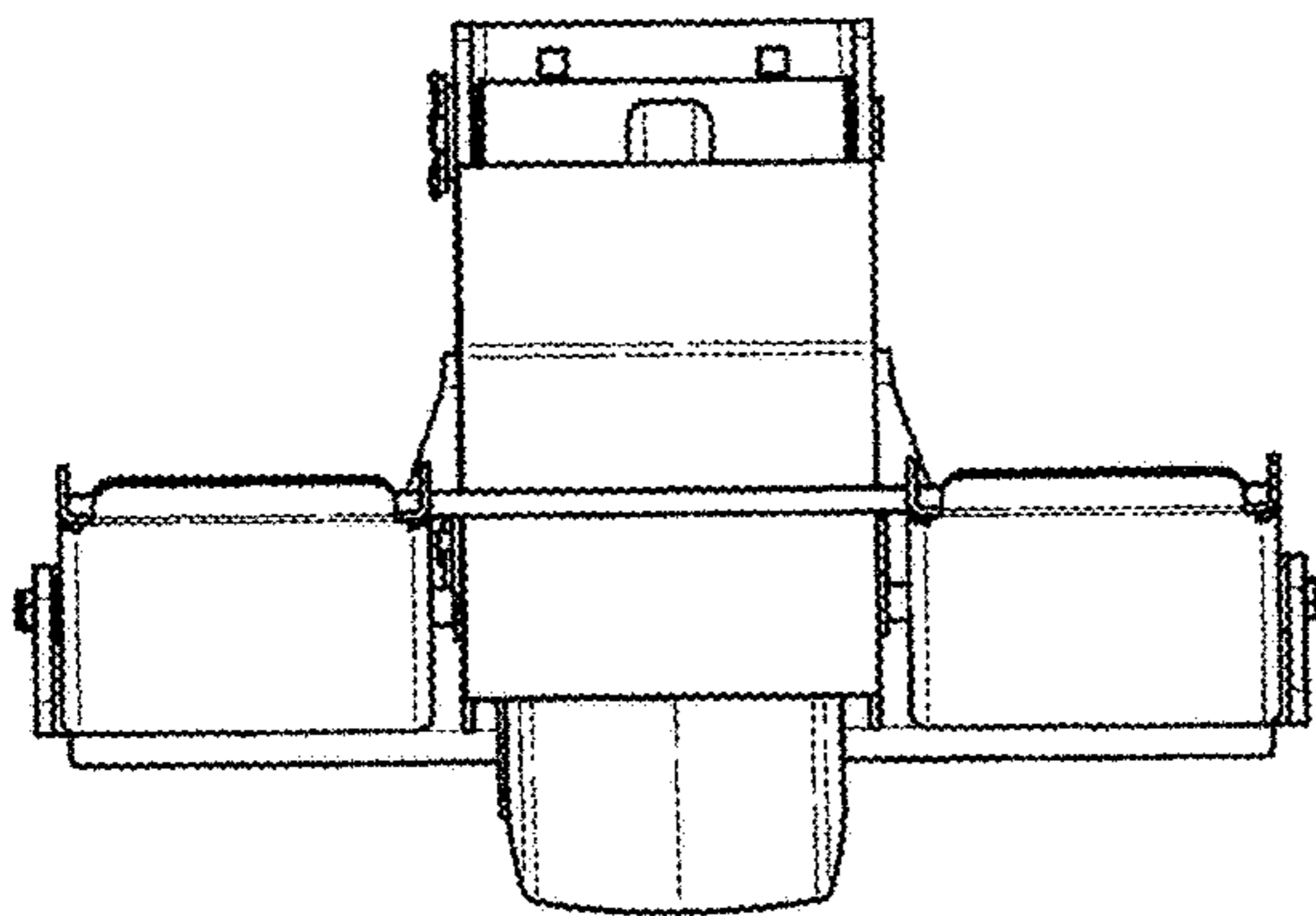


FIG. 4

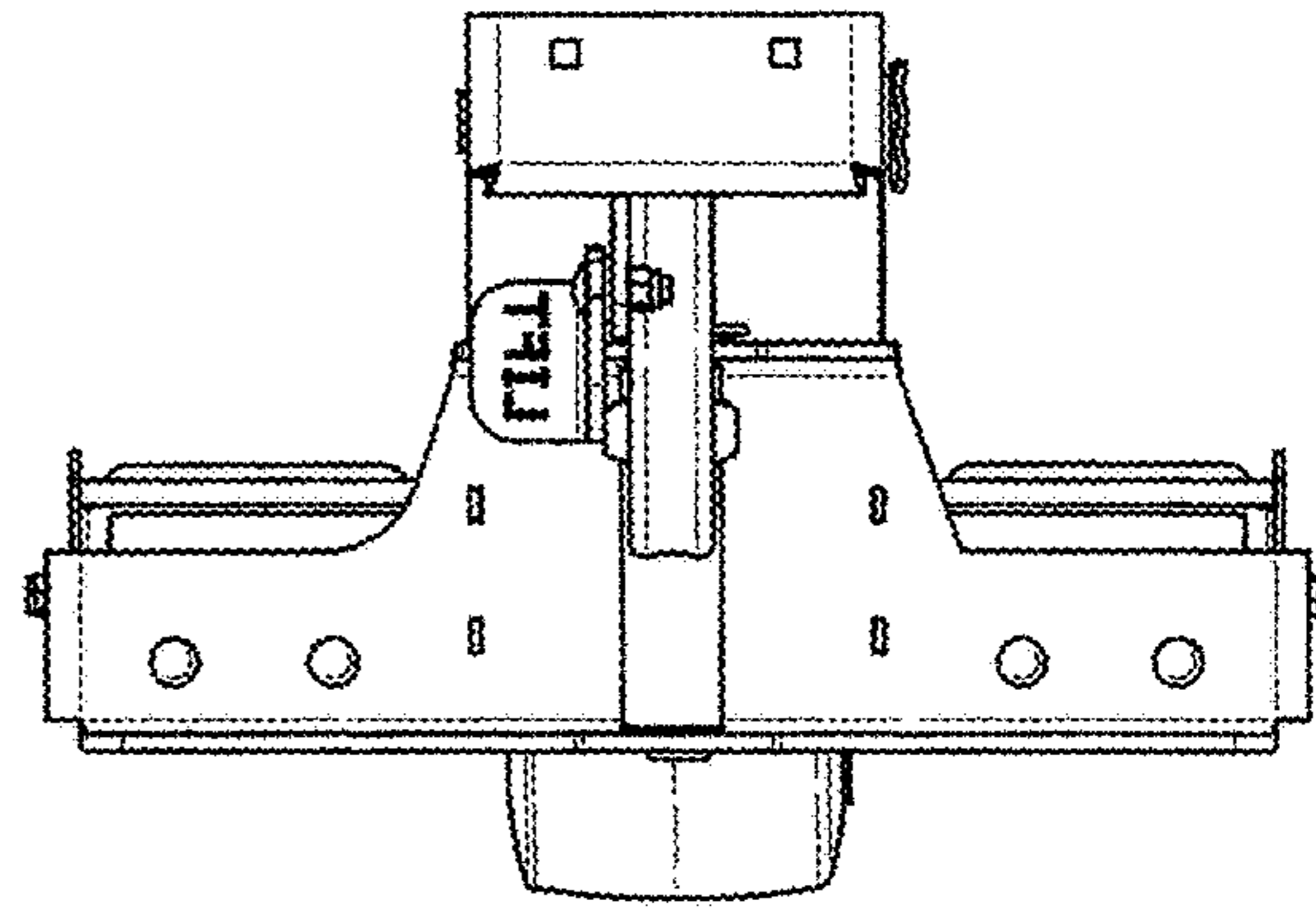


FIG. 5

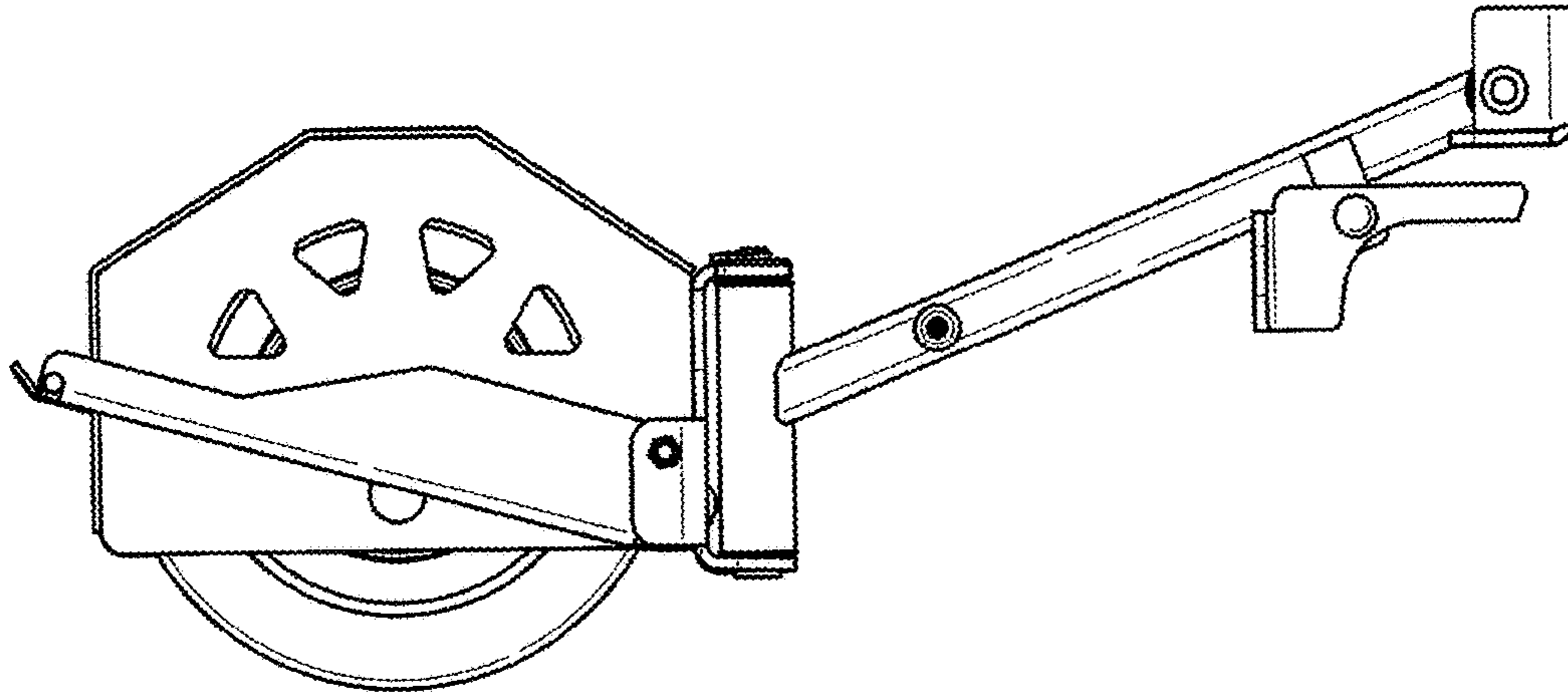


FIG. 6

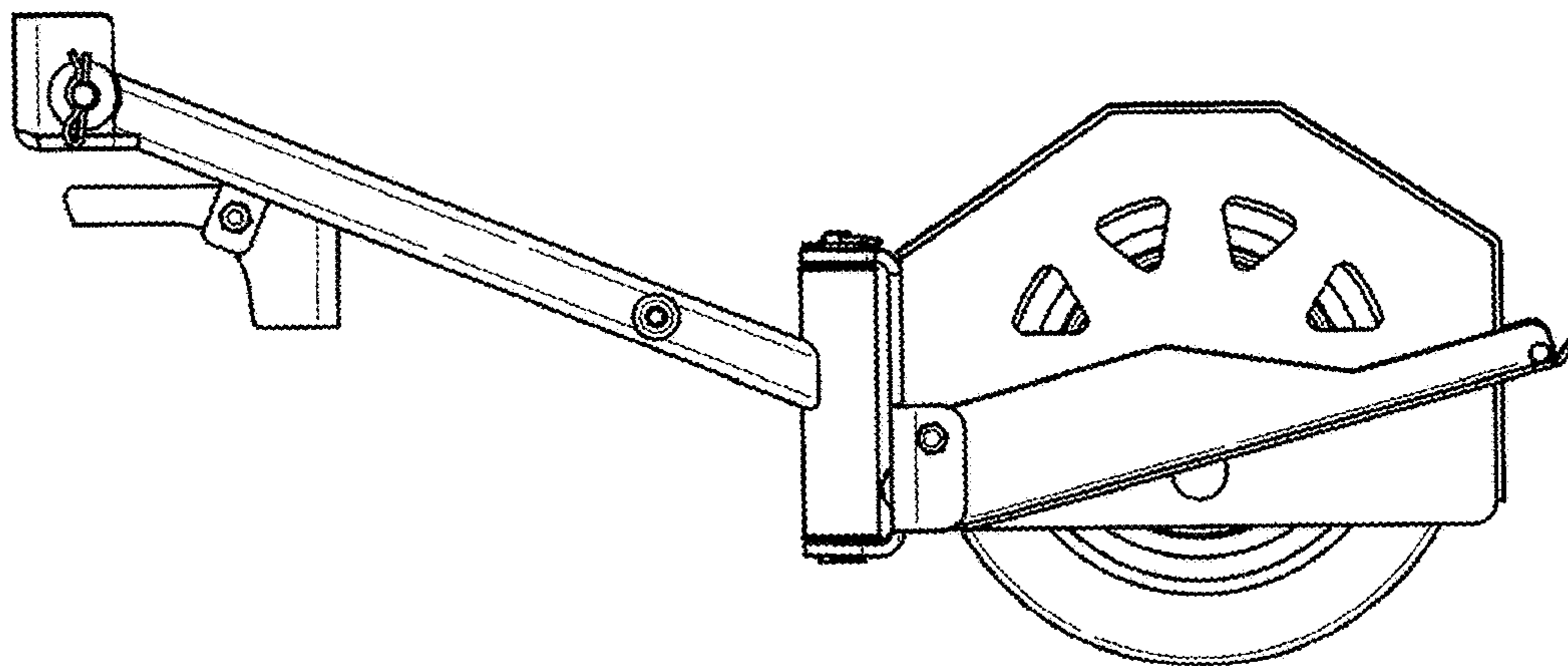


FIG. 7

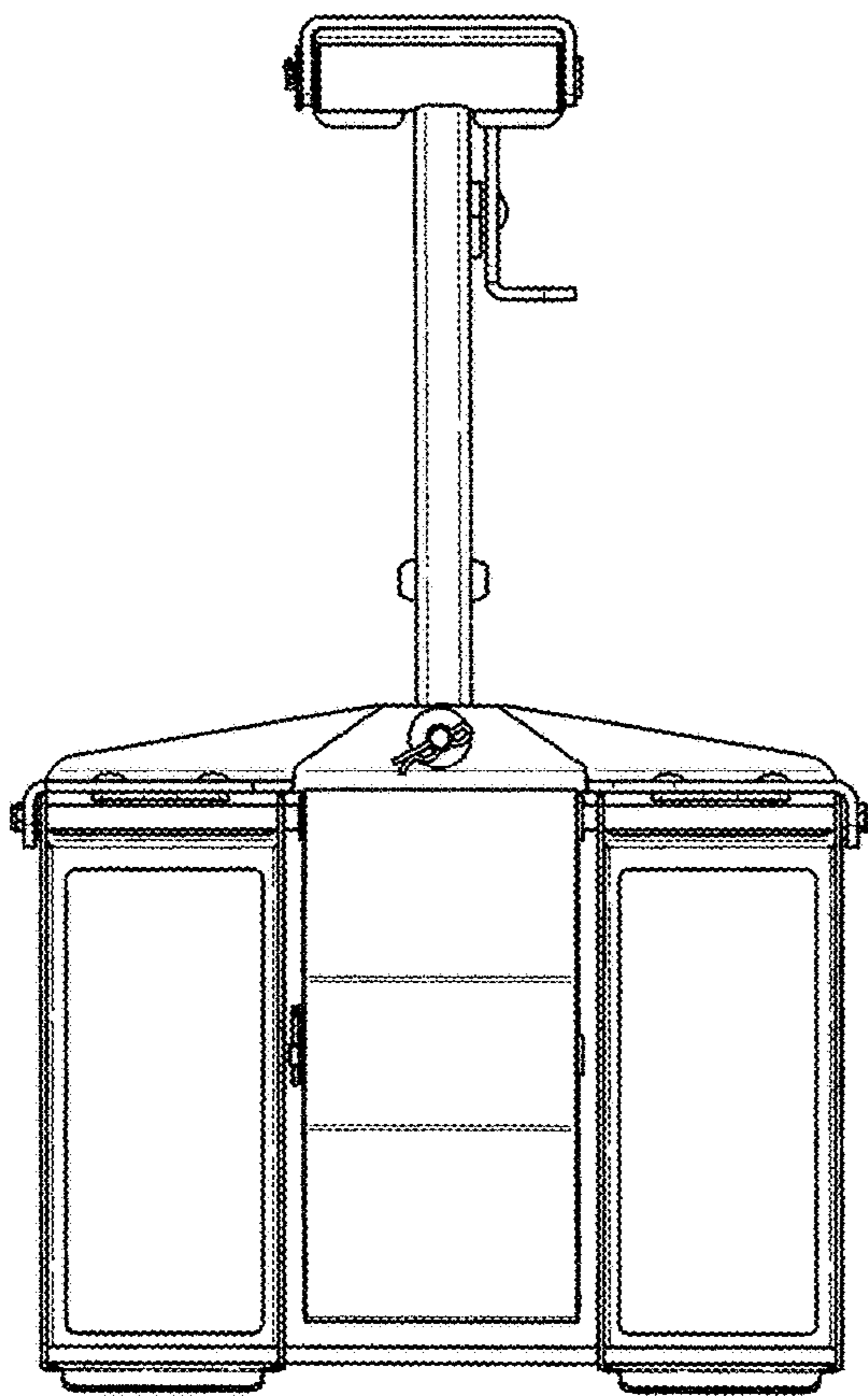


FIG. 8

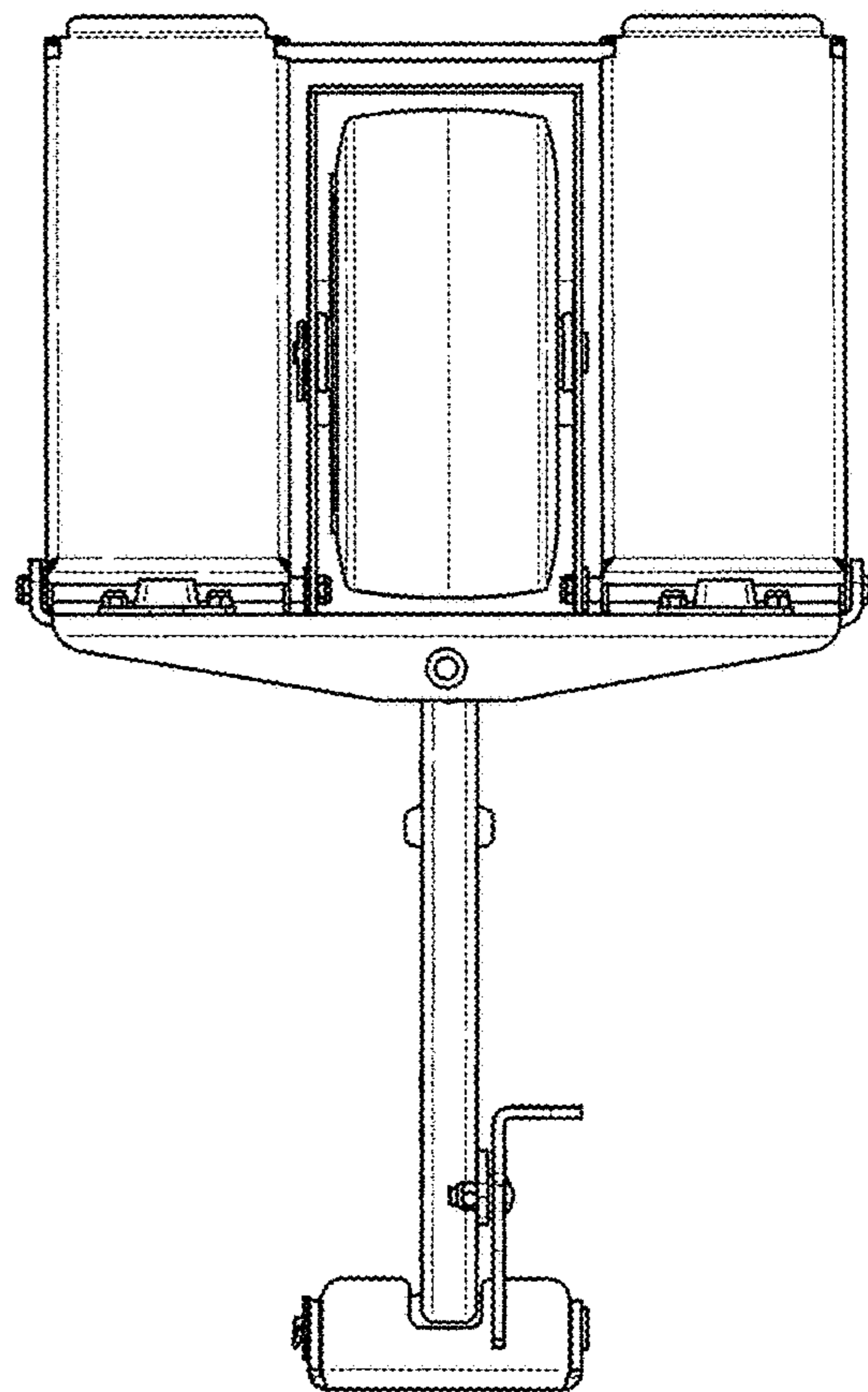


FIG. 9

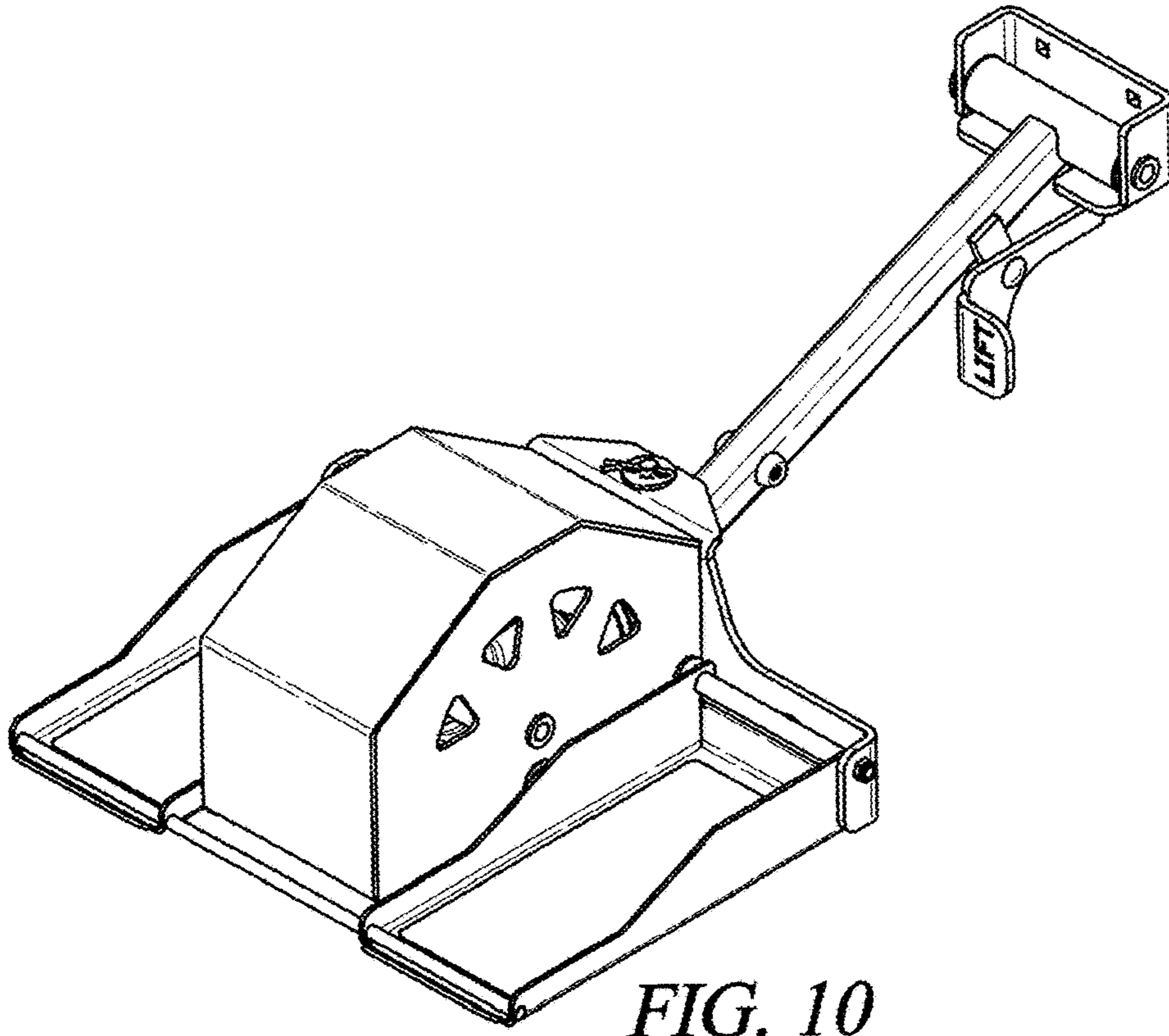


FIG. 10

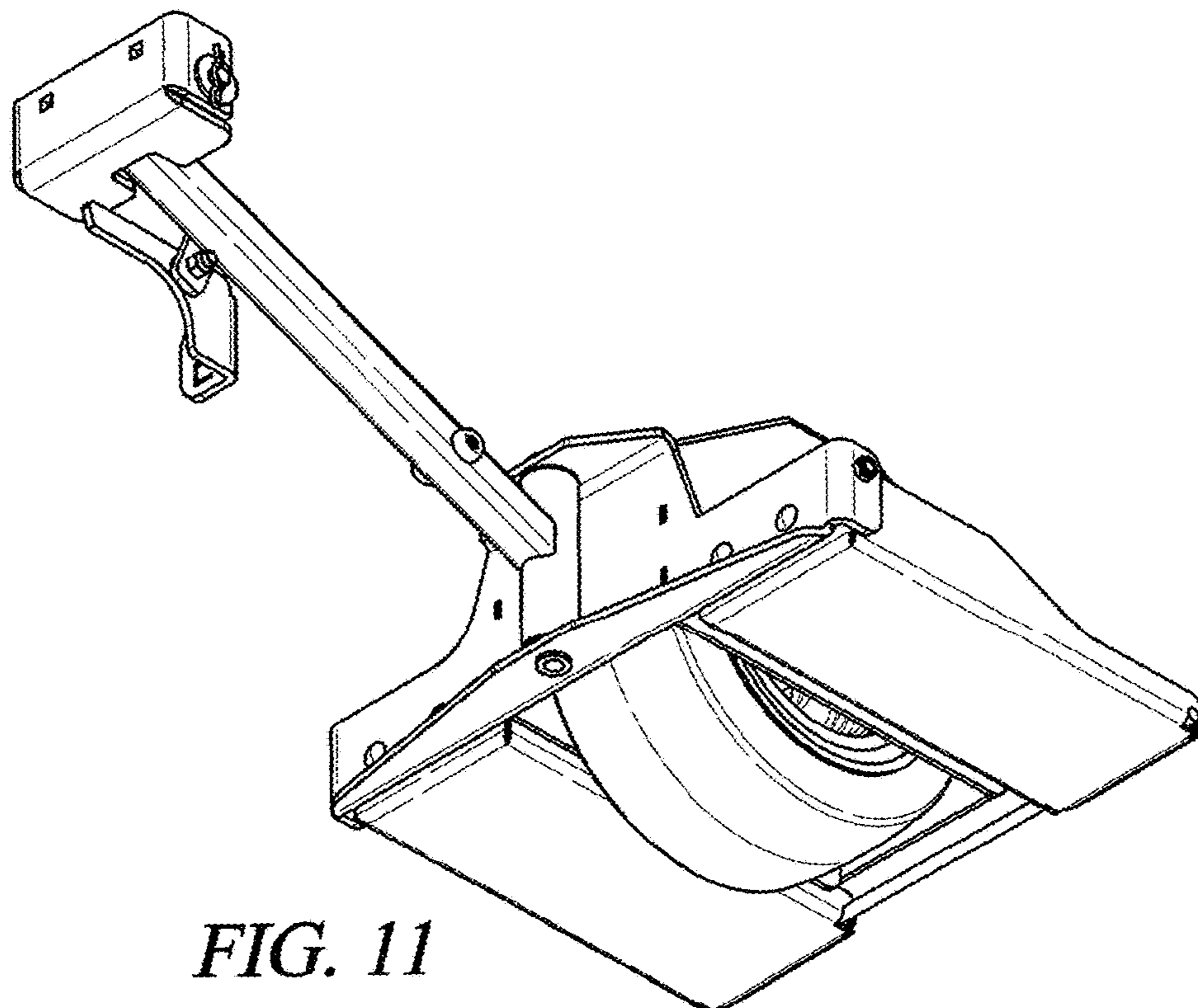


FIG. 11

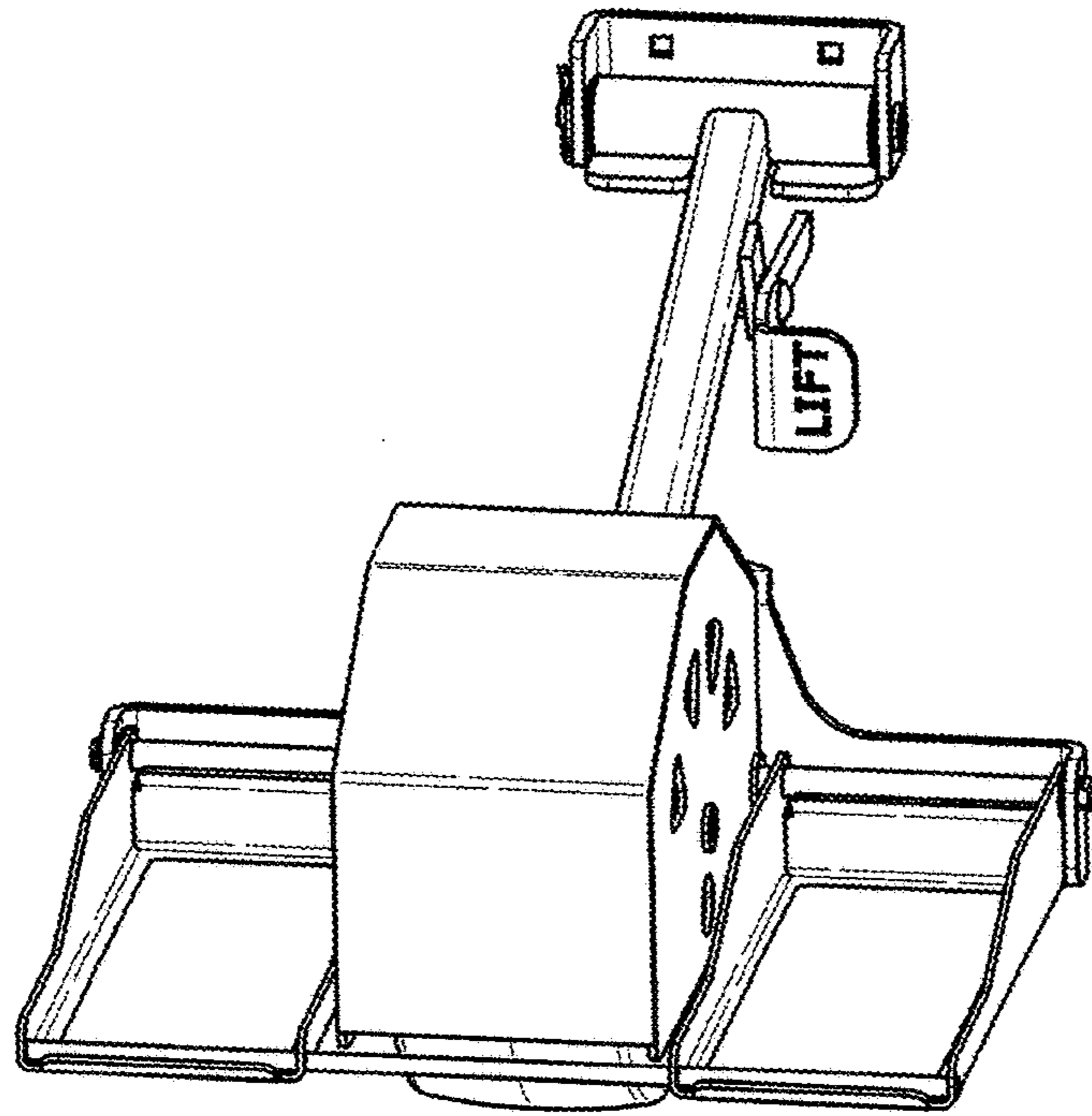


FIG. 12

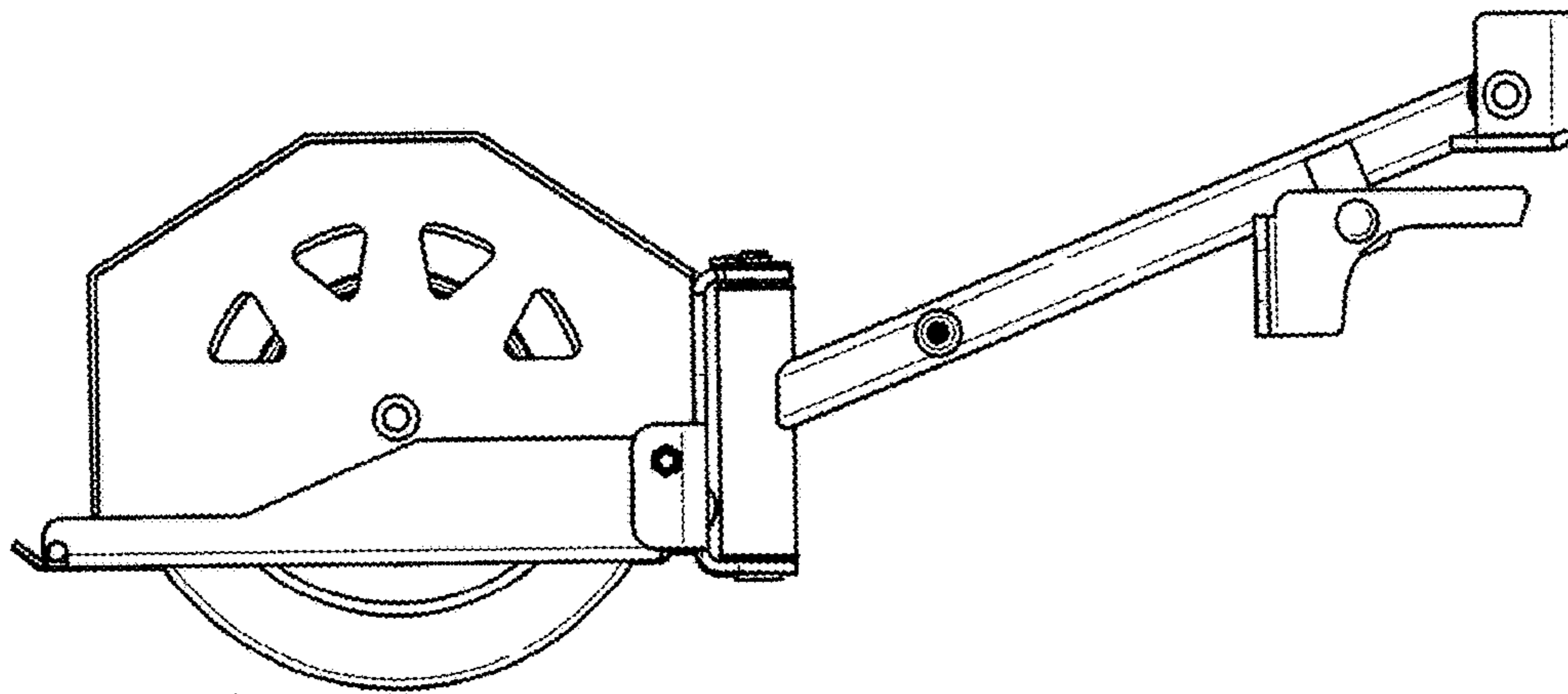


FIG. 13