



US00D837267S

(12) **United States Design Patent** (10) **Patent No.:** **US D837,267 S**
Wong et al. (45) **Date of Patent:** **** Jan. 1, 2019**

(54) **LAWNMOWER BLADE**
(71) Applicant: **HUSQVARNA AB**, Huskvarna (SE)
(72) Inventors: **Jock Wong**, Huntersville, NC (US);
Darren Chandler, Orangeburg, SC
(US); **David Briney**, Charlotte, NC
(US)
(73) Assignee: **HUSQVARNA AB**, Huskvarna (SE)
(**) Term: **15 Years**

6,655,119 B2 * 12/2003 Hasei A01D 34/73
56/255
D487,098 S * 2/2004 Arfstrom D15/17
D598,475 S 8/2009 Roth
D609,251 S 2/2010 Roth
D622,740 S 8/2010 Roth et al.
D649,781 S 12/2011 Nathanson
D649,782 S 12/2011 Chen et al.
D649,981 S 12/2011 Roth et al.
D694,781 S 12/2013 Roth
D694,782 S 12/2013 Roth
D723,589 S * 3/2015 Nishihara D15/17
9,113,595 B2 8/2015 Roth et al.
D758,456 S 6/2016 Poole et al.

(Continued)

(21) Appl. No.: **29/624,332**
(22) Filed: **Oct. 31, 2017**
(51) **LOC (11) Cl.** **15-03**
(52) **U.S. Cl.**
USPC **D15/17**
(58) **Field of Classification Search**
USPC D15/14, 17, 28; D8/4-12, 16, 20
CPC A01D 34/67; A01D 34/69; A01D 34/4166;
A01D 34/4168; A01D 34/47; A01D
34/53; A01D 34/005; A01D 34/03; A01D
34/412; A01D 34/416; A01D 34/4165;
A01D 34/00; A01D 34/43; A01D 34/63;
A01D 34/661; A01D 34/664; A01D
34/73; A01D 34/006; A01D 34/64; A01D
34/82; A01D 34/001; A01D 34/008;
A01D 34/828; A01D 34/74; A01D 34/78;
A01D 34/824; A01D 2101/00; A01D
43/063; A01D 43/077; A01D 43/14;
A01D 42/005; A01D 42/04; Y10S 56/17;
Y10S 56/20

See application file for complete search history.

(56) **References Cited**

U.S. PATENT DOCUMENTS

D289,524 S * 4/1987 Andersson D15/17
D357,691 S * 4/1995 Bryant D15/17

OTHER PUBLICATIONS

U.S. Appl. No. 29/607,976, filed Jun. 19, 2017.
U.S. Appl. No. 29/624,321, filed Oct. 31, 2017.
U.S. Appl. No. 29/624,351, filed Oct. 31, 2017.

Primary Examiner — Mark A Goodwin

(74) *Attorney, Agent, or Firm* — McNair Law Firm, P.A.

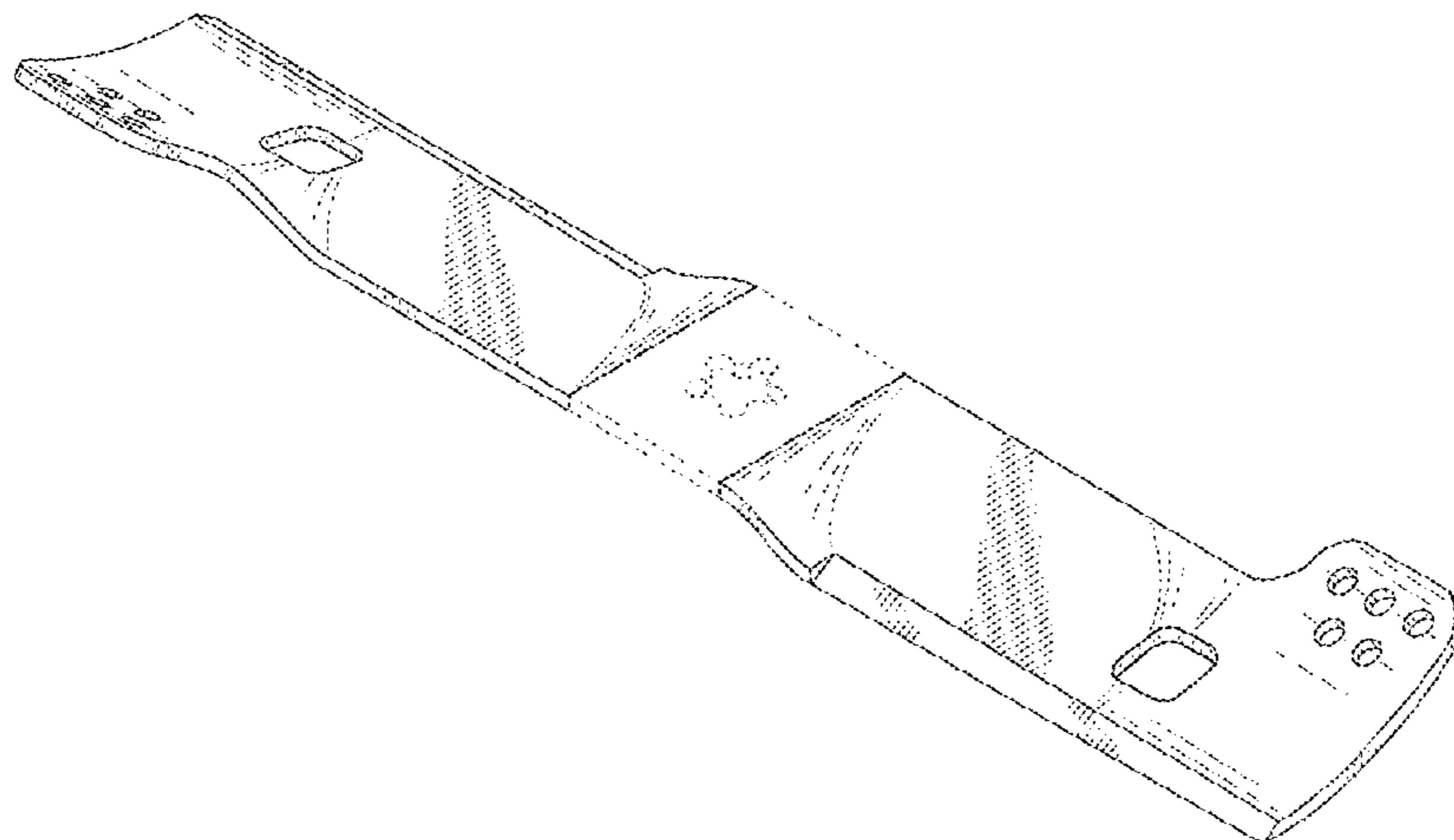
(57) **CLAIM**

The ornamental design for a lawnmower blade, as shown and described.

DESCRIPTION

FIG. 1 is a perspective view of a lawnmower blade in accordance with an embodiment of the present invention; FIG. 2 is a top view of the lawnmower blade of FIG. 1; FIG. 3 is a bottom view of the lawnmower blade of FIG. 1; FIG. 4 is a front view of the lawnmower blade of FIG. 1; FIG. 5 is a rear view of the lawnmower blade of FIG. 1; FIG. 6 is a right side view of the lawnmower blade of FIG. 1; and, FIG. 7 is a left side view of the lawnmower blade of FIG. 1. The broken lines of FIGS. 1-7 are illustrative of the visible environmental structure of the lawnmower blade and form no part of the claimed design.

1 Claim, 4 Drawing Sheets



(56)

References Cited

U.S. PATENT DOCUMENTS

D766,332 S	9/2016	Poole et al.	
D781,927 S	3/2017	Craven et al.	
D786,310 S	5/2017	Southwell et al.	
9,723,782 B2	8/2017	Roth et al.	
D801,394 S *	10/2017	Southwell	D15/17
D812,443 S *	3/2018	Gonzalez	D8/20
2005/0229573 A1 *	10/2005	Curran	A01D 34/73 56/255
2014/0196428 A1 *	7/2014	Shiotsuki	A01D 34/73 56/289
2015/0082763 A1 *	3/2015	Nishihara	A01D 34/63 56/289
2016/0014957 A1	1/2016	Johansson et al.	

* cited by examiner

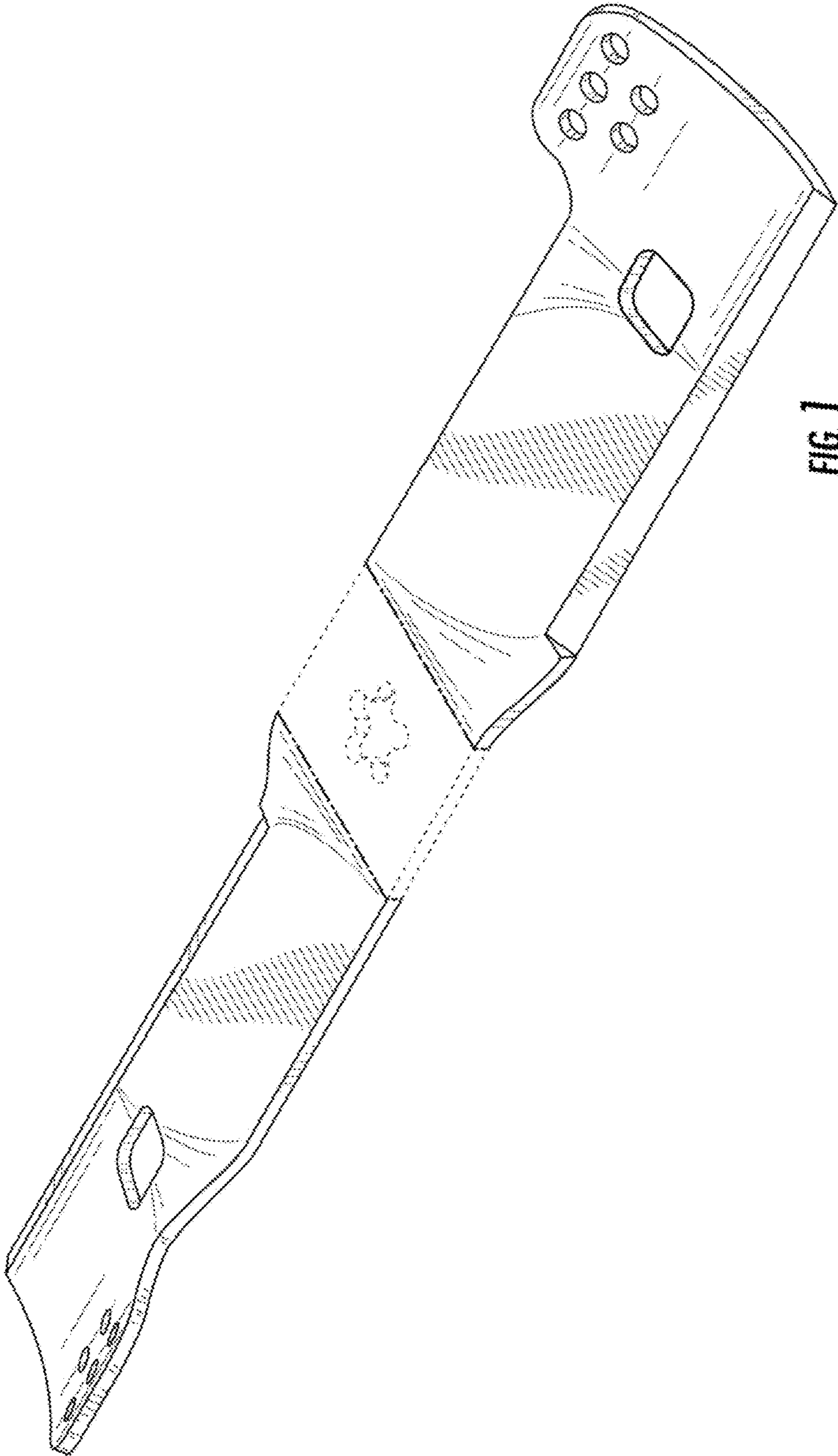


FIG. 1

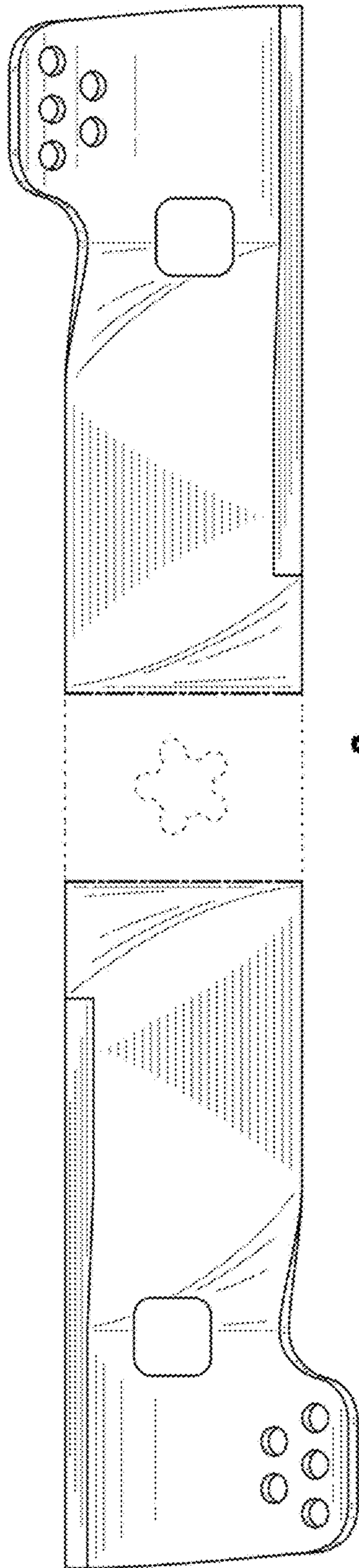


FIG. 2

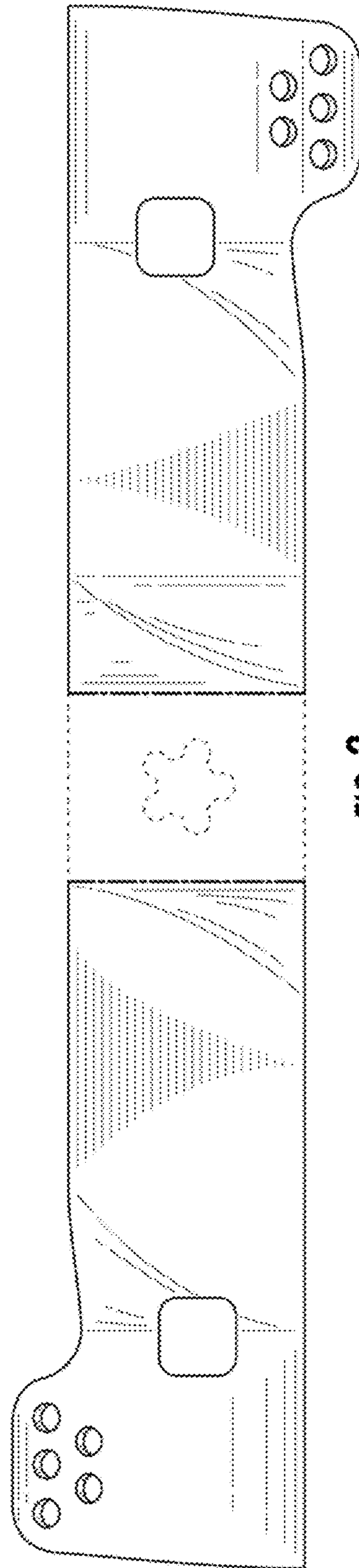


FIG. 3

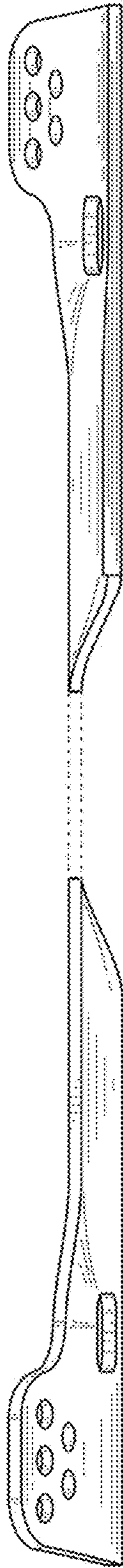


FIG. 4

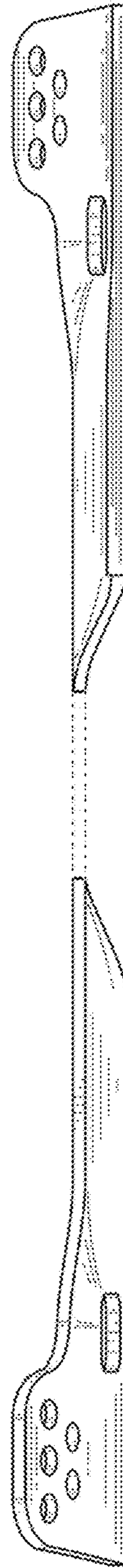


FIG. 5

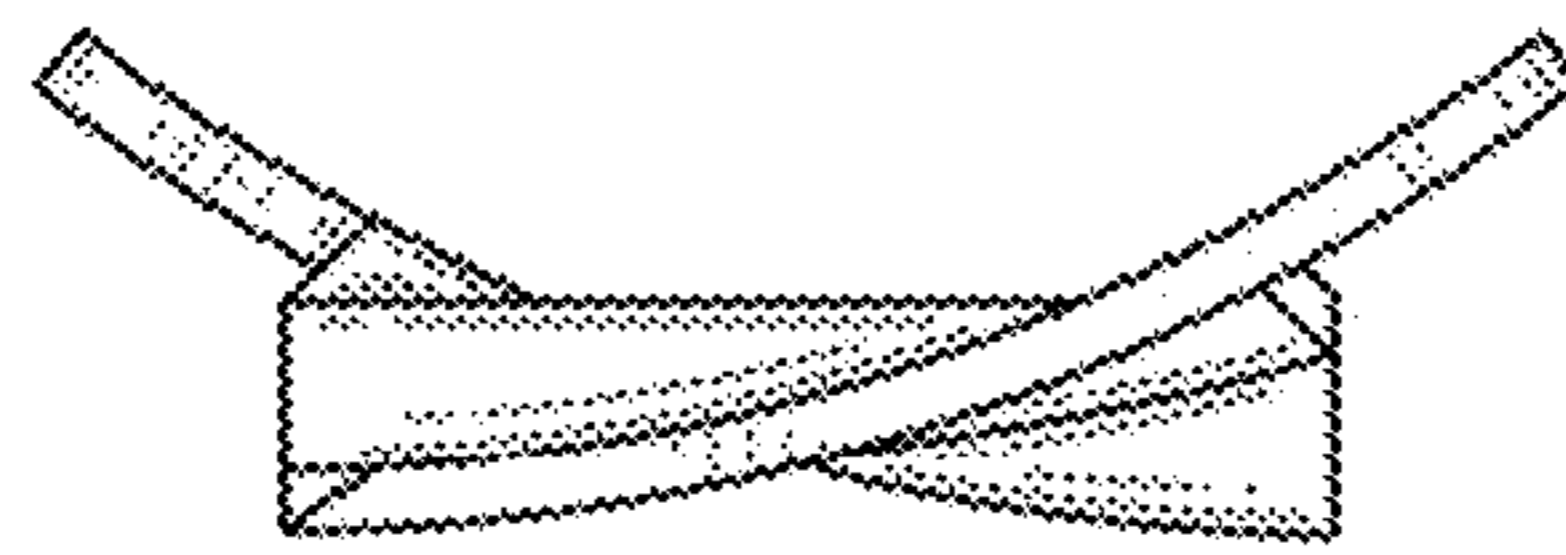


FIG. 6



FIG. 7