



US00D837264S

(12) **United States Design Patent**
Kennedy et al.

(10) **Patent No.:** **US D837,264 S**

(45) **Date of Patent:** **** Jan. 1, 2019**

(54) **FILTER HOUSING**

(71) Applicant: **SAGE PRODUCTS, LLC**, Cary, IL
(US)
(72) Inventors: **Jeffrey A. Kennedy**, Algonquin, IL
(US); **Brian J. Ecklund**, Lakemoor, IL
(US)
(73) Assignee: **SAGE PRODUCTS, LLC**, Cary, IL
(US)

D631,066 S *	1/2011	Itadani	D15/9
D654,508 S *	2/2012	Foreman	D15/7
D689,100 S *	9/2013	Wirz Luchsinger	D15/7
D693,850 S *	11/2013	Haider	D15/7
D704,225 S *	5/2014	Lee	D15/5
D704,226 S *	5/2014	Lee	D15/5
D705,819 S *	5/2014	Seymour	D15/9
D707,717 S *	6/2014	King	D15/7
D736,833 S *	8/2015	Lee	D15/5
D764,551 S *	8/2016	Fowler	D15/7
D802,024 S *	11/2017	Aoki	D15/5
D803,894 S *	11/2017	Kennedy	D15/7

(**) Term: **15 Years**

* cited by examiner

(21) Appl. No.: **29/592,974**

Primary Examiner — Ralf Seifert

(22) Filed: **Feb. 3, 2017**

(74) *Attorney, Agent, or Firm* — Foley & Lardner LLP

(51) **LOC (11) Cl.** **15-02**

(57) **CLAIM**

(52) **U.S. Cl.**
USPC **D15/7**

We claim the ornamental design for a filter housing, as shown and described.

(58) **Field of Classification Search**
USPC D15/7-9.3; D23/225, 227, 231, 232;
417/60, 235, 265, 321, 355, 358, 363,
417/359, 410.1, 415-416, 405, 900, 269,
417/539; 60/408, 412; 184/26-37;
415/140-147; 123/495, 509; 137/565.34;
D9/436, 447; 141/208; 222/529
CPC F02M 37/04; F02M 37/14; F04B 53/92;
F04B 1/005; F04D 13/06; F04D 29/22;
F04D 29/046; F04D 29/2266; B67D 7/44
See application file for complete search history.

DESCRIPTION

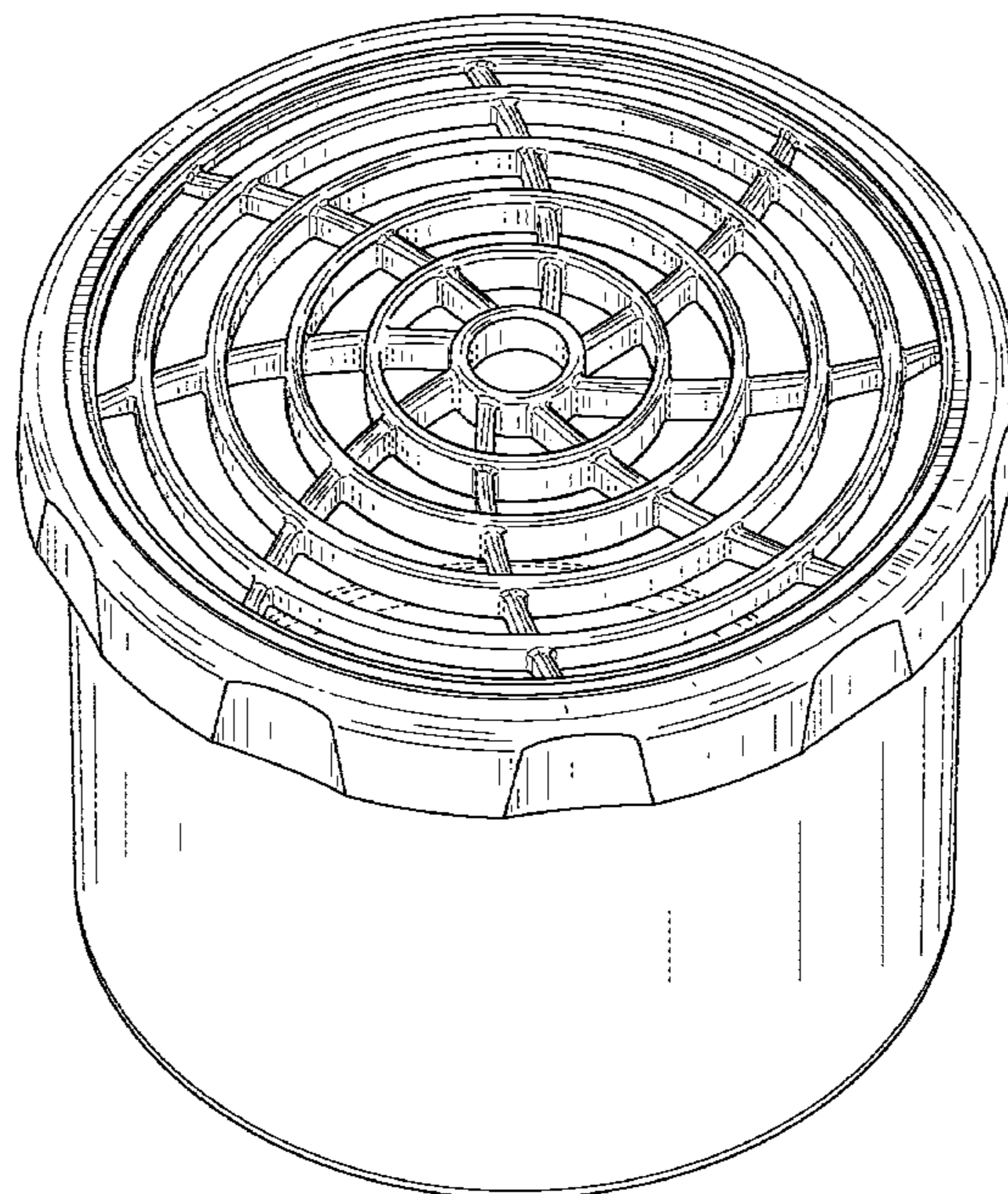
FIG. 1 is a top, front, right perspective view of an embodiment of the claimed design;
FIG. 2 is a bottom, front, left perspective view thereof;
FIG. 3 is a left side elevation view thereof;
FIG. 4 is a right side elevation view thereof;
FIG. 5 is a front elevation view thereof;
FIG. 6 is a rear elevation view thereof;
FIG. 7 is a top plan view thereof; and,
FIG. 8 is a bottom plan view thereof.
The broken lines are included for the purpose of illustrating portions of the filter housing that form no part of the claimed design.

(56) **References Cited**

U.S. PATENT DOCUMENTS

D589,060 S *	3/2009	Metcalf	D15/7
D609,249 S *	2/2010	Foreman	D15/7

1 Claim, 8 Drawing Sheets



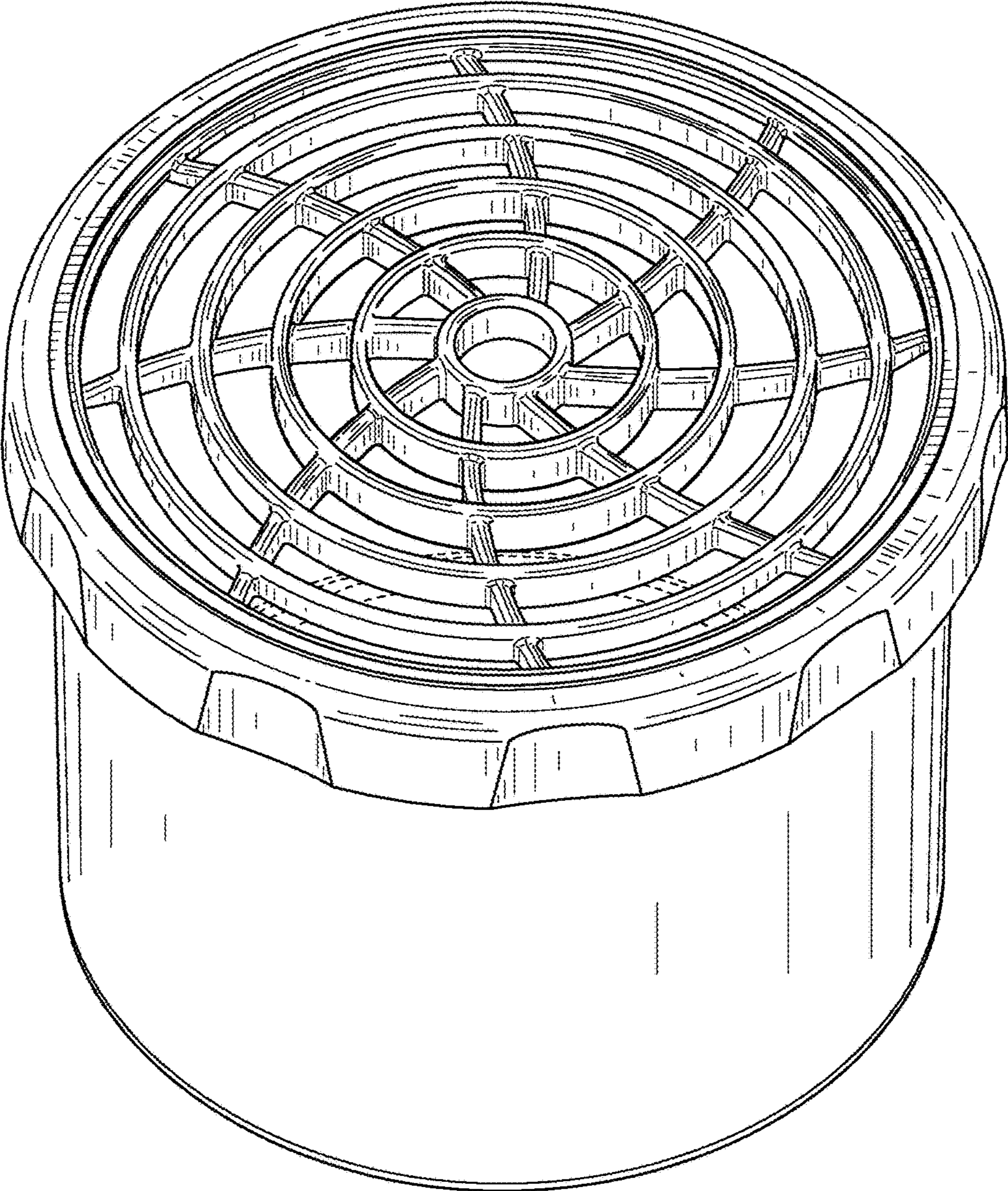


FIG. 1

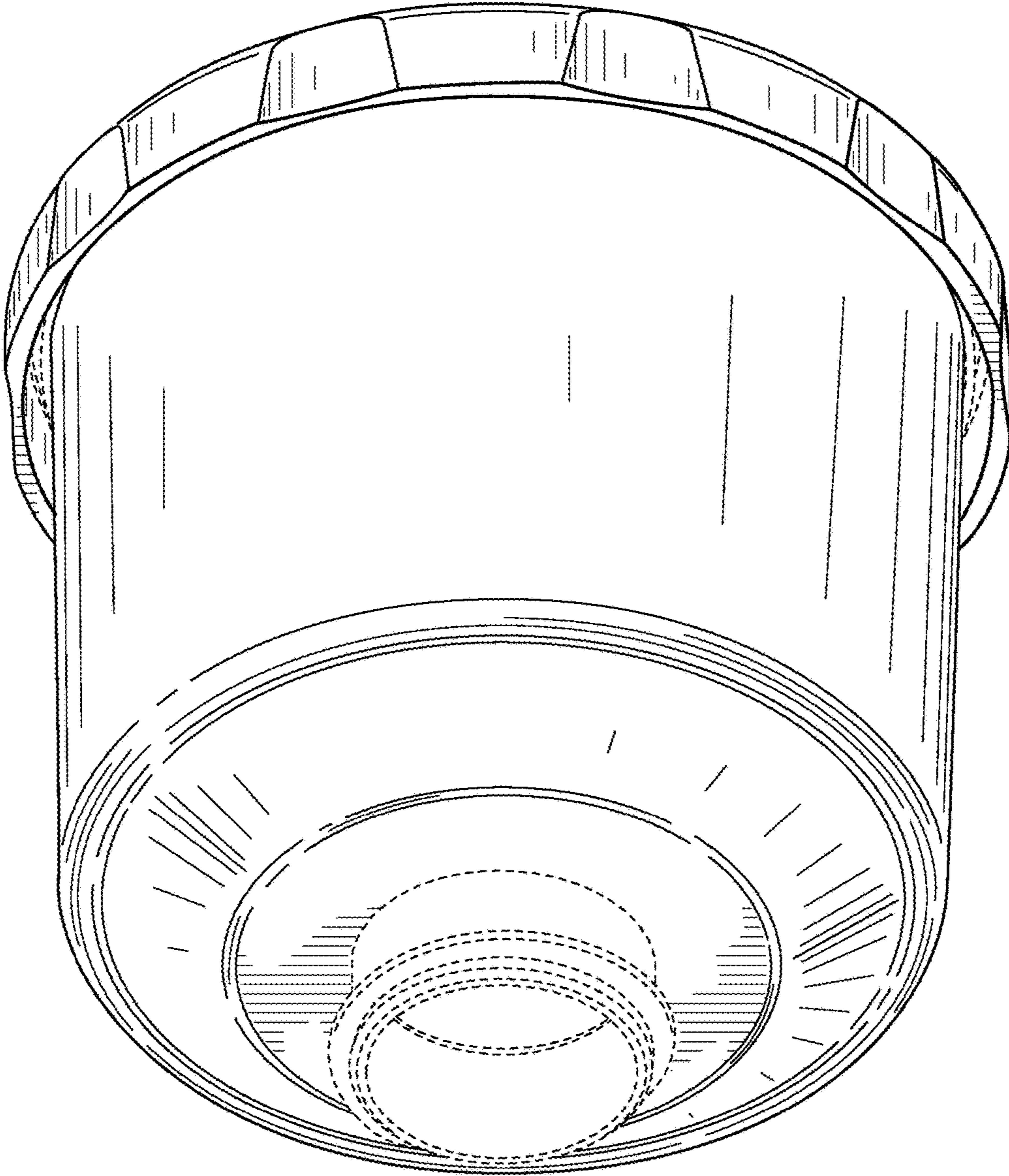


FIG. 2

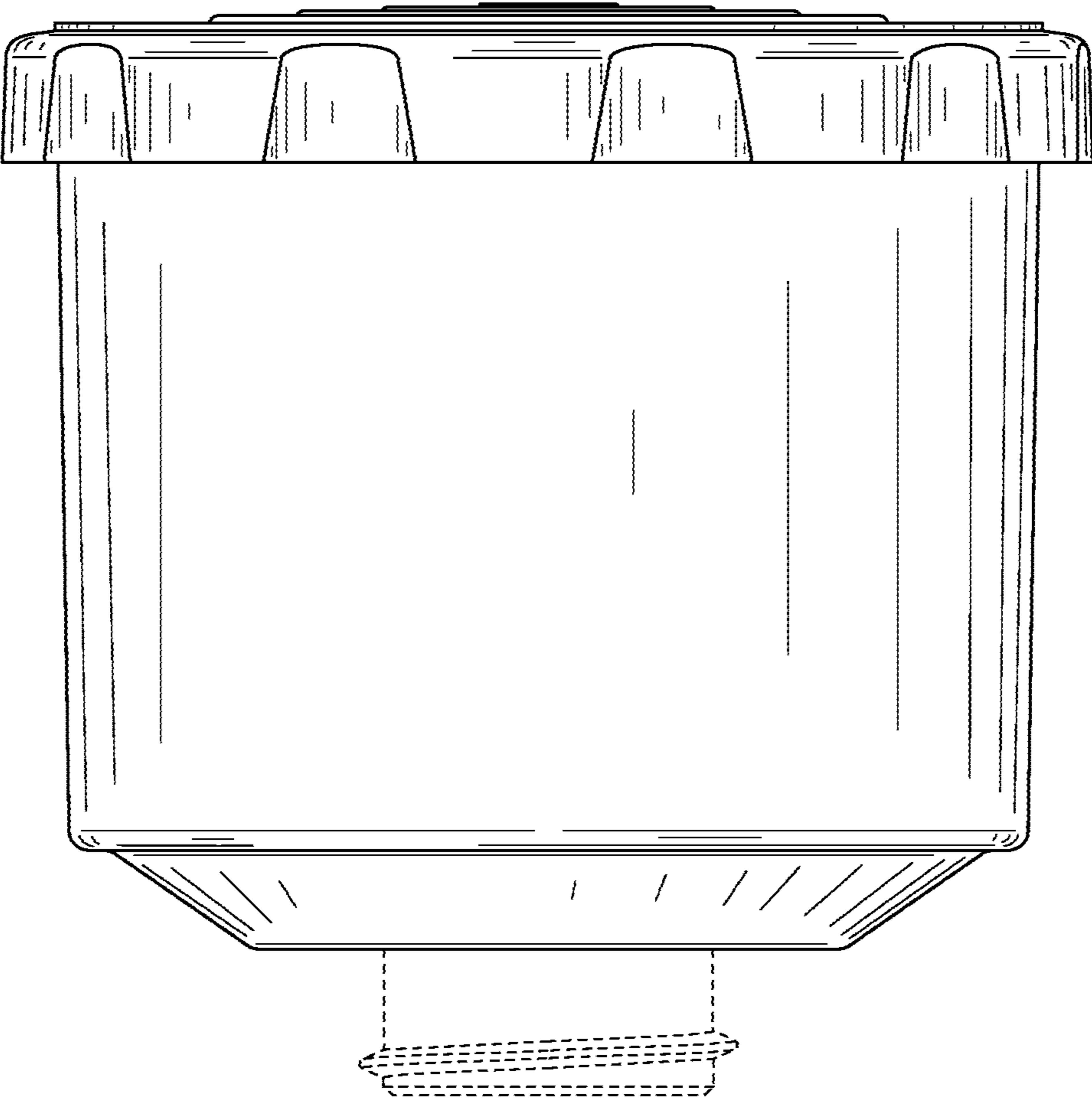


FIG. 3

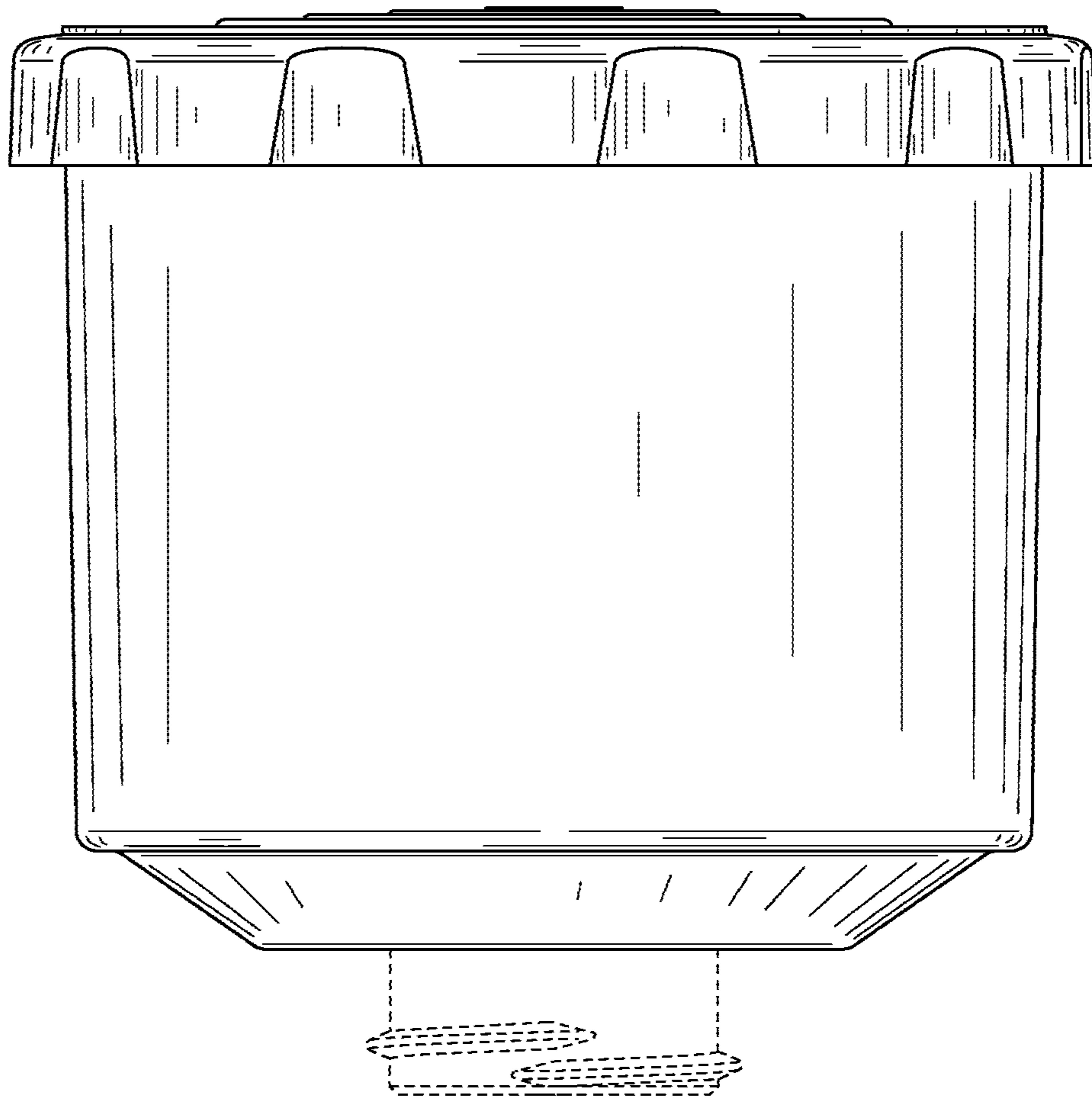


FIG. 4

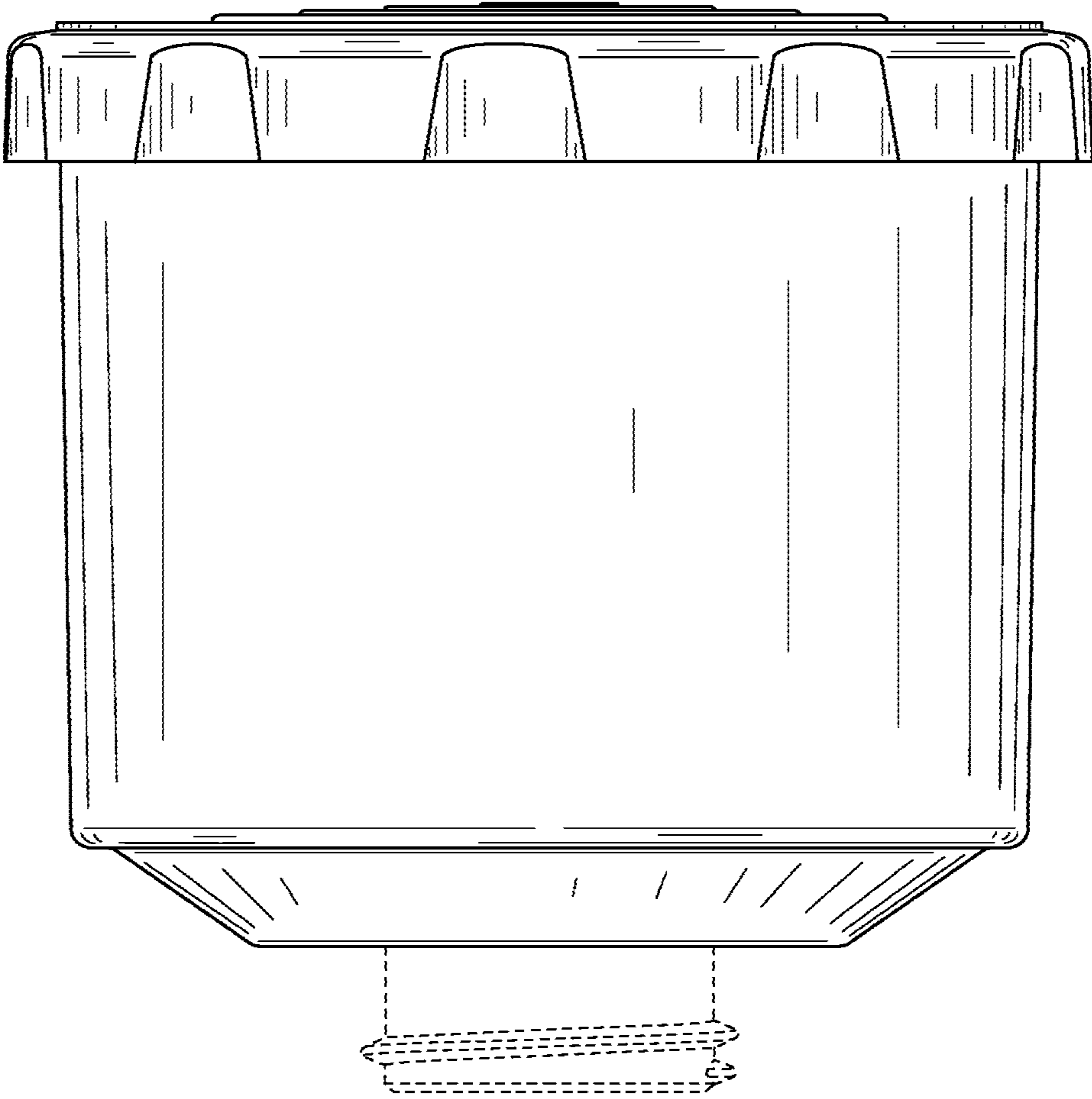


FIG. 5

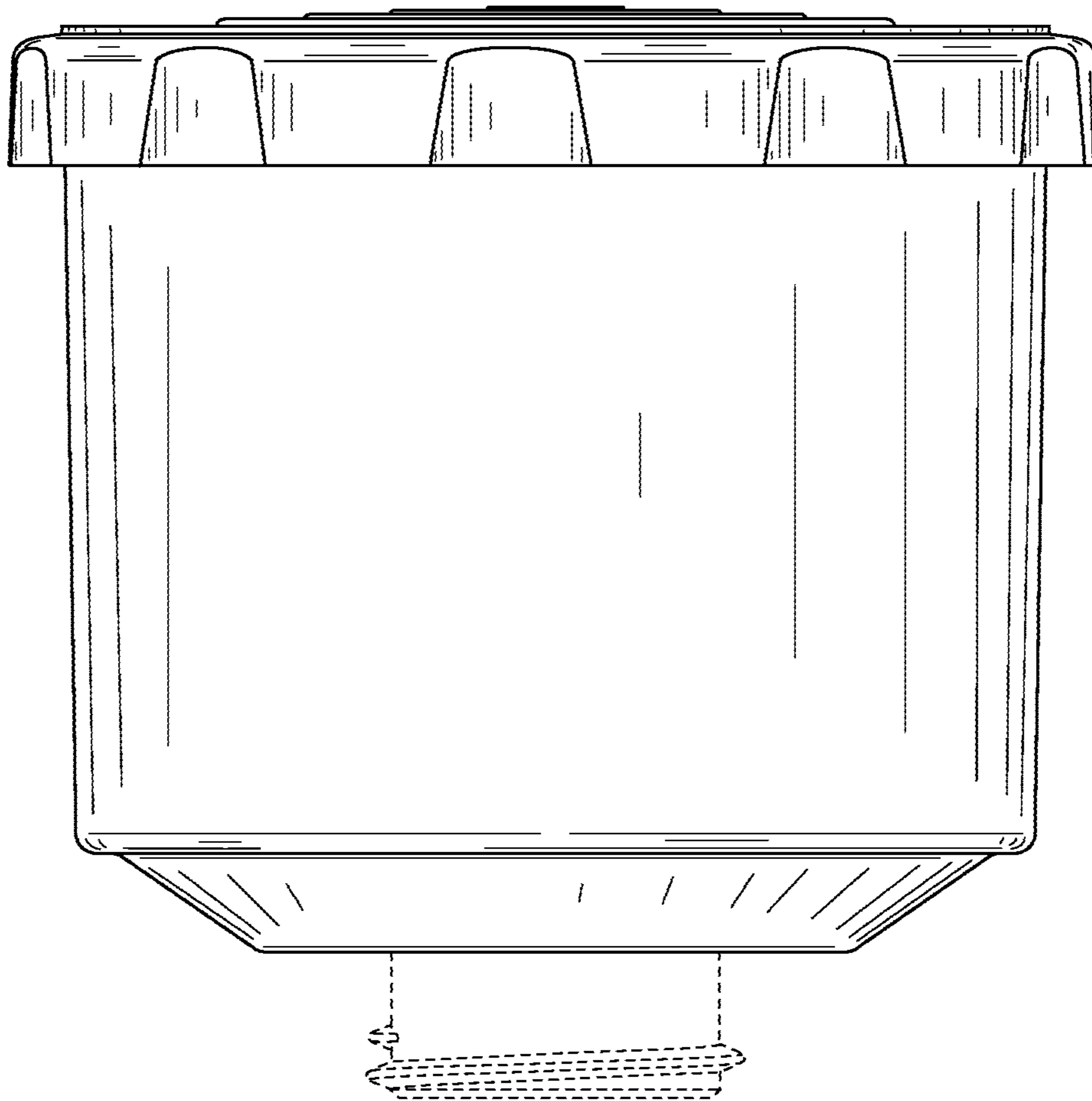


FIG. 6

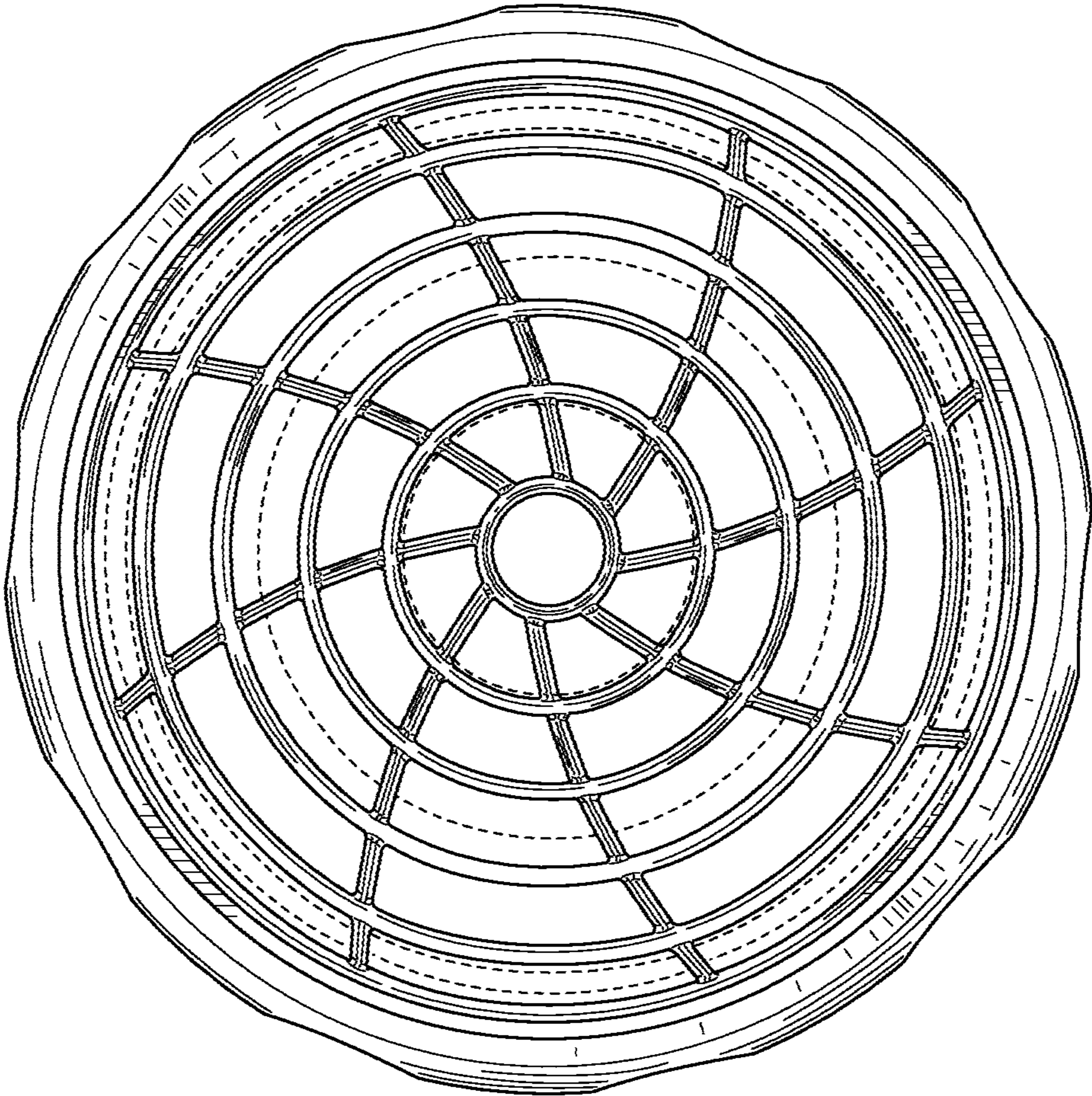


FIG. 7

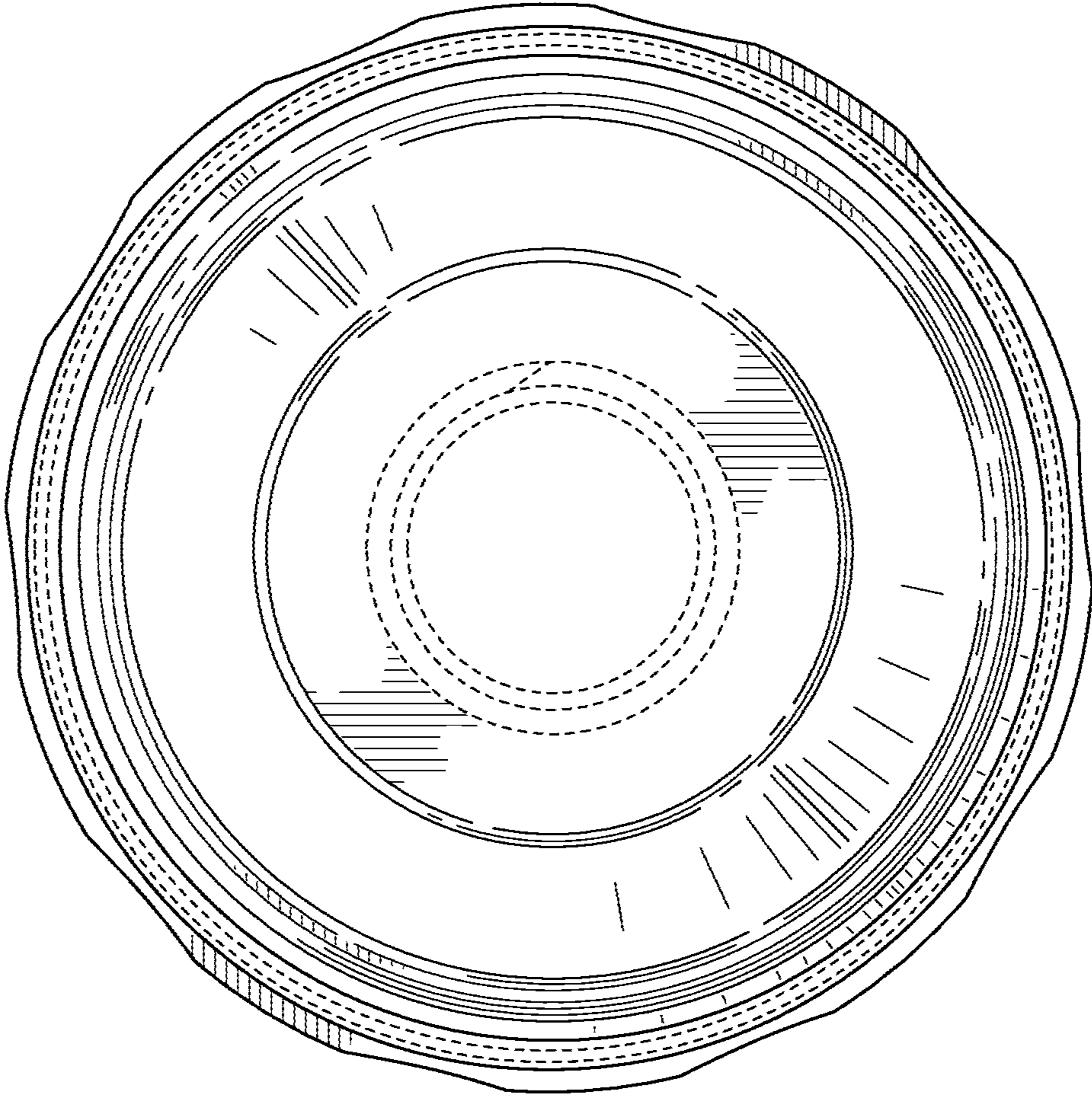


FIG. 8