



US00D837263S

(12) **United States Design Patent**
VerSchave

(10) **Patent No.:** **US D837,263 S**

(45) **Date of Patent:** **** Jan. 1, 2019**

- (54) **ENGINE SIDE COVER RIGHT**
- (71) Applicant: **Allen VerSchave**, Oceanside, CA (US)
- (72) Inventor: **Allen VerSchave**, Oceanside, CA (US)
- (73) Assignee: **AVS Fabrication, Inc.**, Oceanside, CA (US)
- (**) Term: **15 Years**

D580,954 S *	11/2008	Platt	D15/5
D584,318 S *	1/2009	Olsen	D15/5
D625,738 S *	10/2010	Jian	D15/5
D626,969 S *	11/2010	Gelardi	D15/5
D648,351 S *	11/2011	Michimura	D15/5
D653,676 S *	2/2012	Tomlinson	D15/5
D657,798 S *	4/2012	Platt	D15/5
D709,099 S *	7/2014	Finnie	D15/5
D727,362 S *	4/2015	Platt	D15/5
D732,082 S *	6/2015	Porojan	D15/5
D735,759 S *	8/2015	Chan	D15/5
D750,137 S *	2/2016	Webber	D15/5

- (21) Appl. No.: **29/622,505**
- (22) Filed: **Oct. 17, 2017**
- (51) **LOC (11) Cl.** **15-01**
- (52) **U.S. Cl.**
USPC **D15/5**
- (58) **Field of Classification Search**
USPC D15/1-5, 28, 17
CPC F01P 5/02; F01P 1/02; F02B 75/55; F02B 75/007; F02B 77/13; F02F 7/0046; F02F 7/0026; F02F 7/0021; F02F 7/0068; F02F 7/006; F02F 7/0024; F02F 7/0039; F02F 7/0065; F02F 7/0095; F02F 2007/0097; F02F 2007/0075; F02F 2007/0078; F01M 13/023
See application file for complete search history.

* cited by examiner

Primary Examiner — Mark A Goodwin
(74) *Attorney, Agent, or Firm* — San Diego IP Law Group LLP; Trevor Coddington

(57) **CLAIM**

I claim the ornamental design for an engine side cover right, as shown and described.

DESCRIPTION

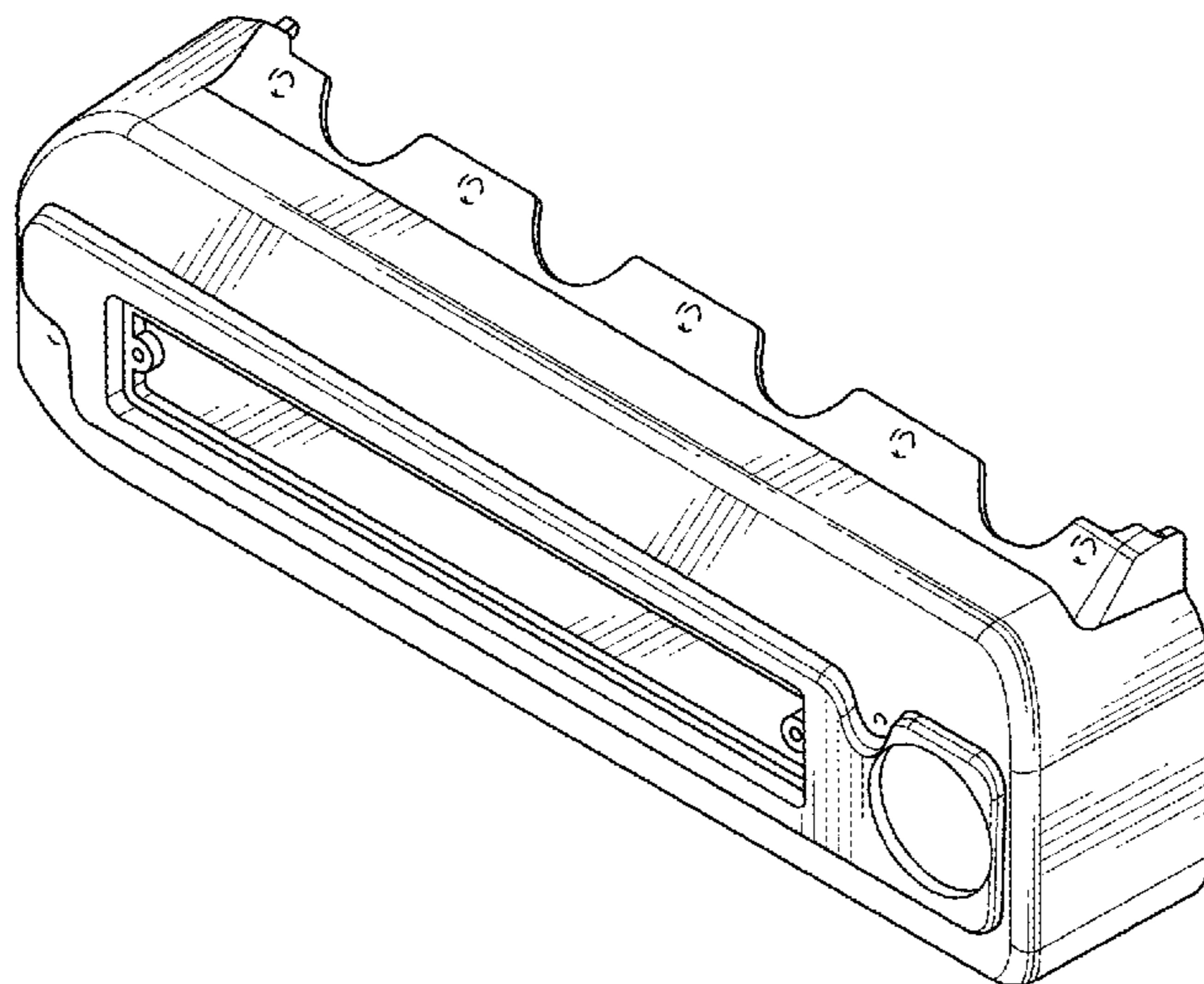
FIG. 1 is a perspective view of the engine side cover right according to an embodiment of the invention.
 FIG. 2 is a top view of the engine side cover right as shown in FIG. 1;
 FIG. 3 is a bottom view of the engine side cover right as shown in FIG. 1;
 FIG. 4 is a head view of the engine side cover right as shown in FIG. 1;
 FIG. 5 is a rear view of the engine side cover right as shown in FIG. 1;
 FIG. 6 is a left side view of the engine side cover right as shown in FIG. 1; and,
 FIG. 7 is a right side view of the engine side cover right as shown in FIG. 1.
 The dashed lines in the figures depict openings in the engine side cover right which form no part of the inventive design.

(56) **References Cited**

U.S. PATENT DOCUMENTS

D305,767 S *	1/1990	Tauschke	D15/5
D324,867 S *	3/1992	Lyndhurst	123/198 E
D418,844 S *	1/2000	Occhiuto	D15/5
D422,551 S *	4/2000	Haines	D12/400
D503,724 S *	4/2005	Grant	D15/5
D512,438 S *	12/2005	Matsunami	D15/5
D517,089 S *	3/2006	Pfeiffer	D15/5
D527,023 S *	8/2006	Terazono	D15/5
D544,498 S *	6/2007	Keidl	D15/5
D574,853 S *	8/2008	Harbert	D15/5

1 Claim, 3 Drawing Sheets



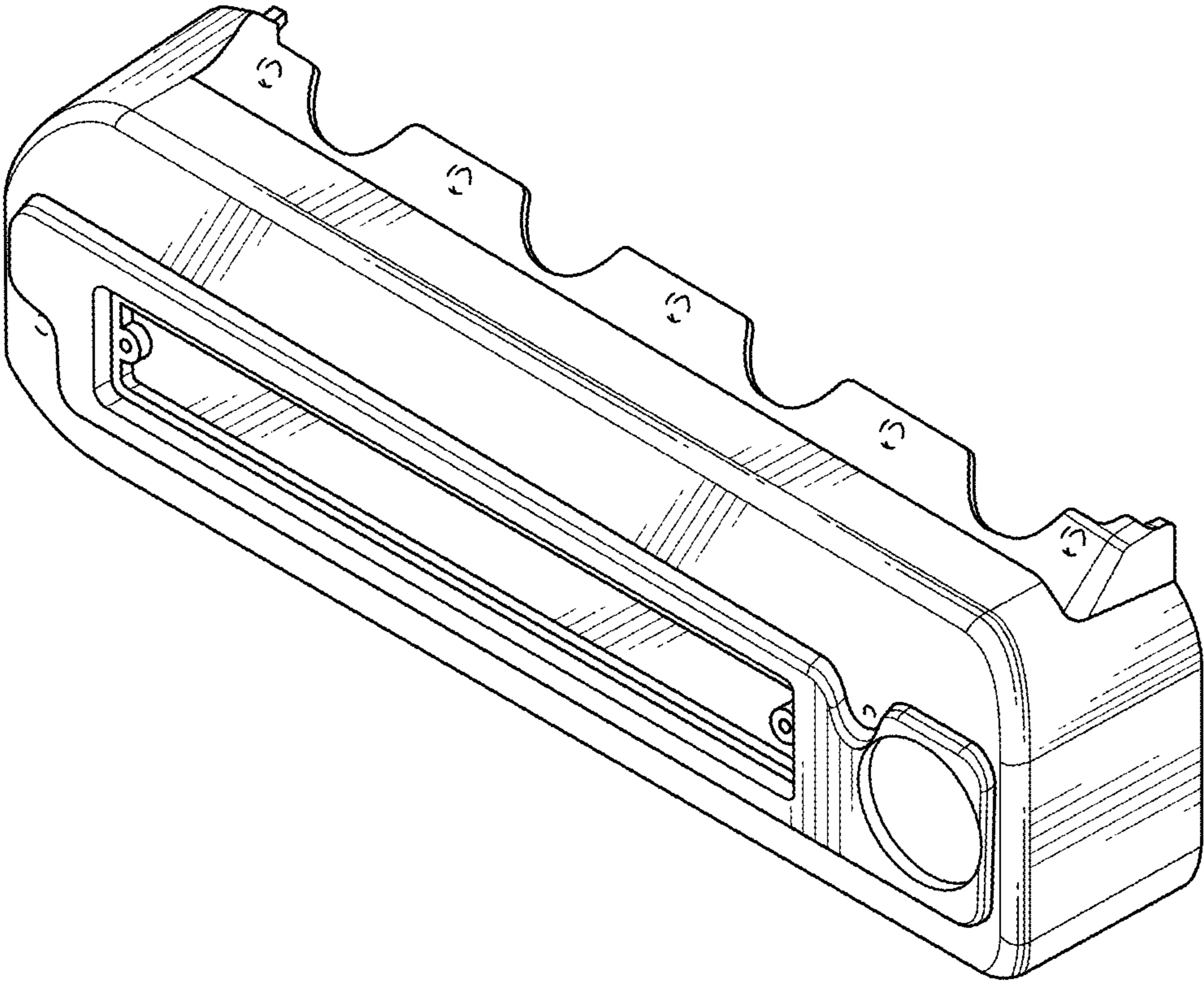


FIG. 1

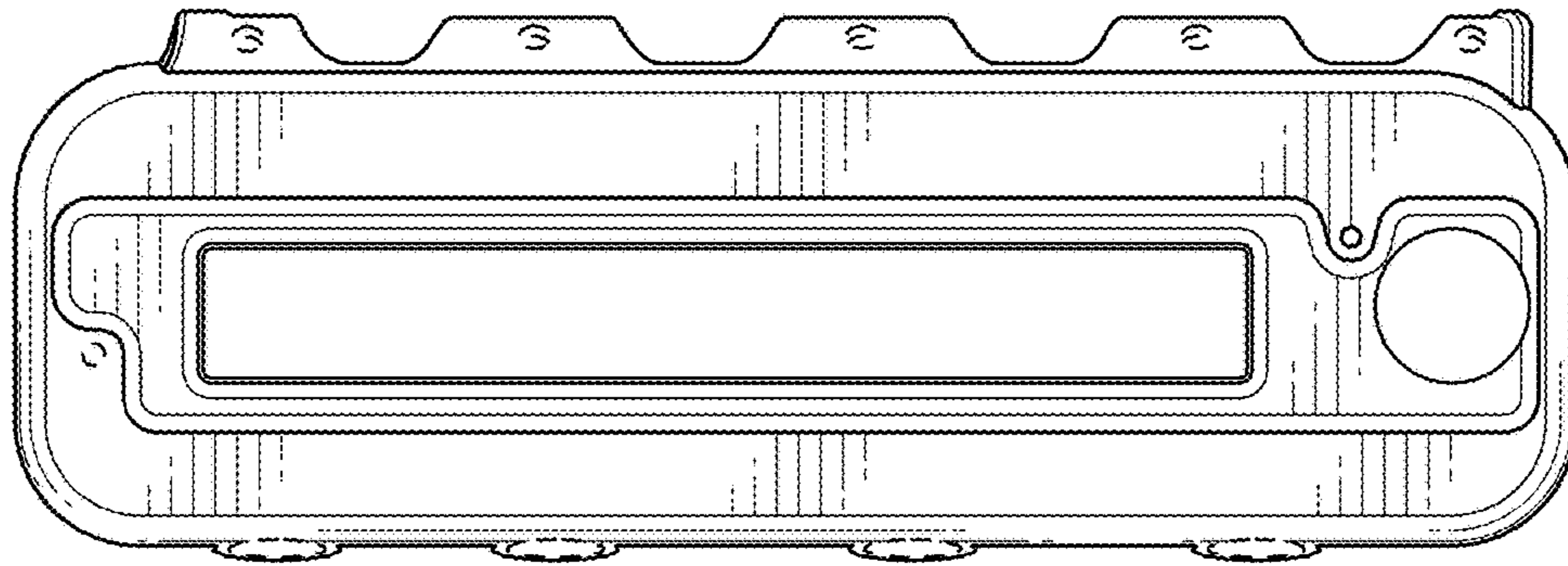


FIG. 2

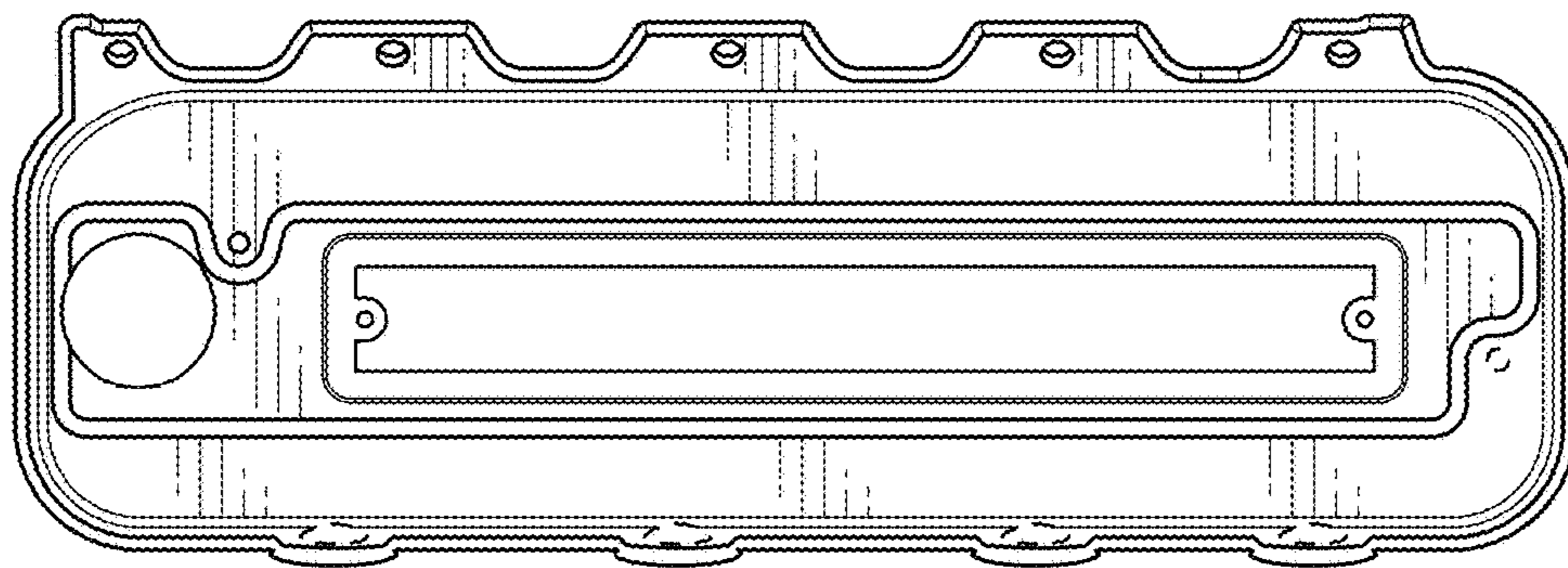


FIG. 3

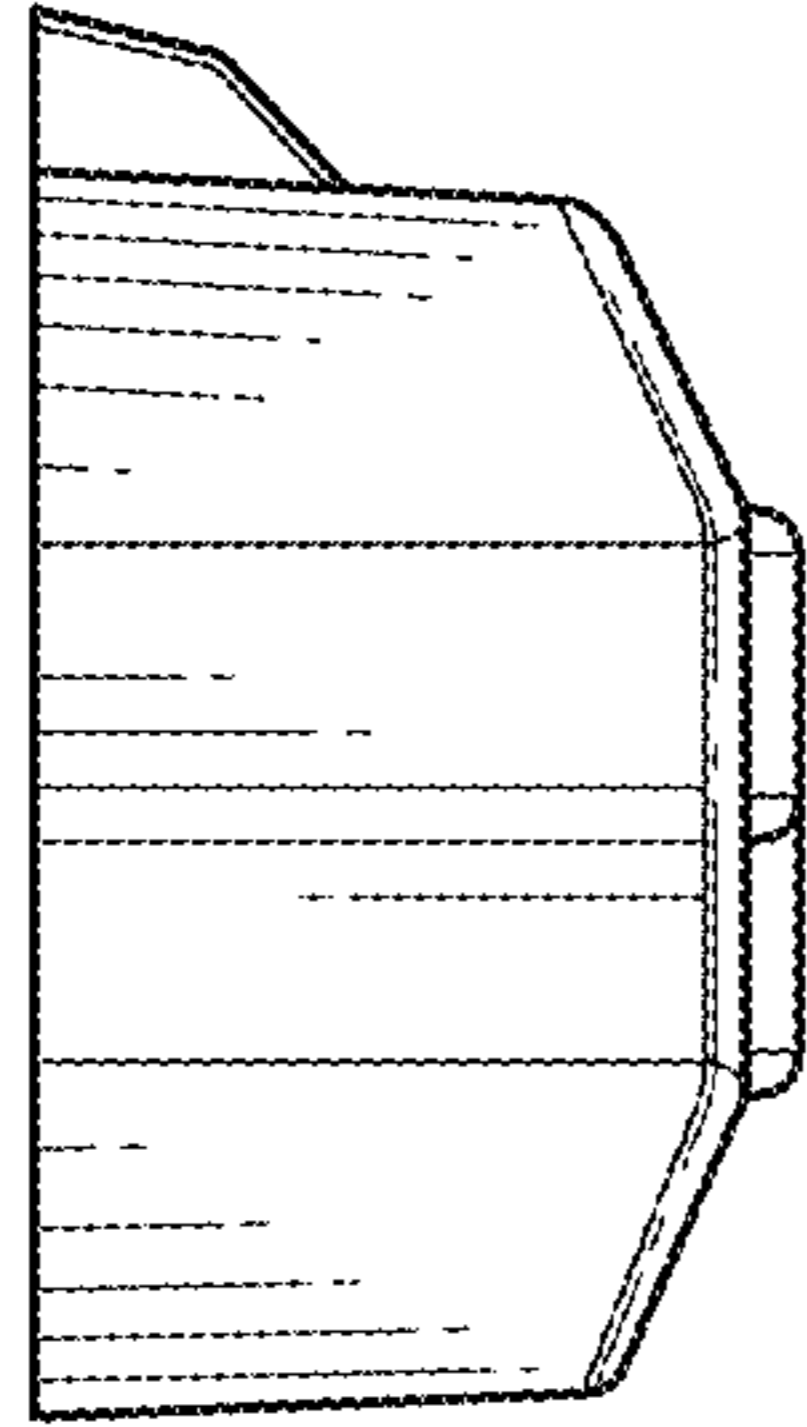


FIG. 4

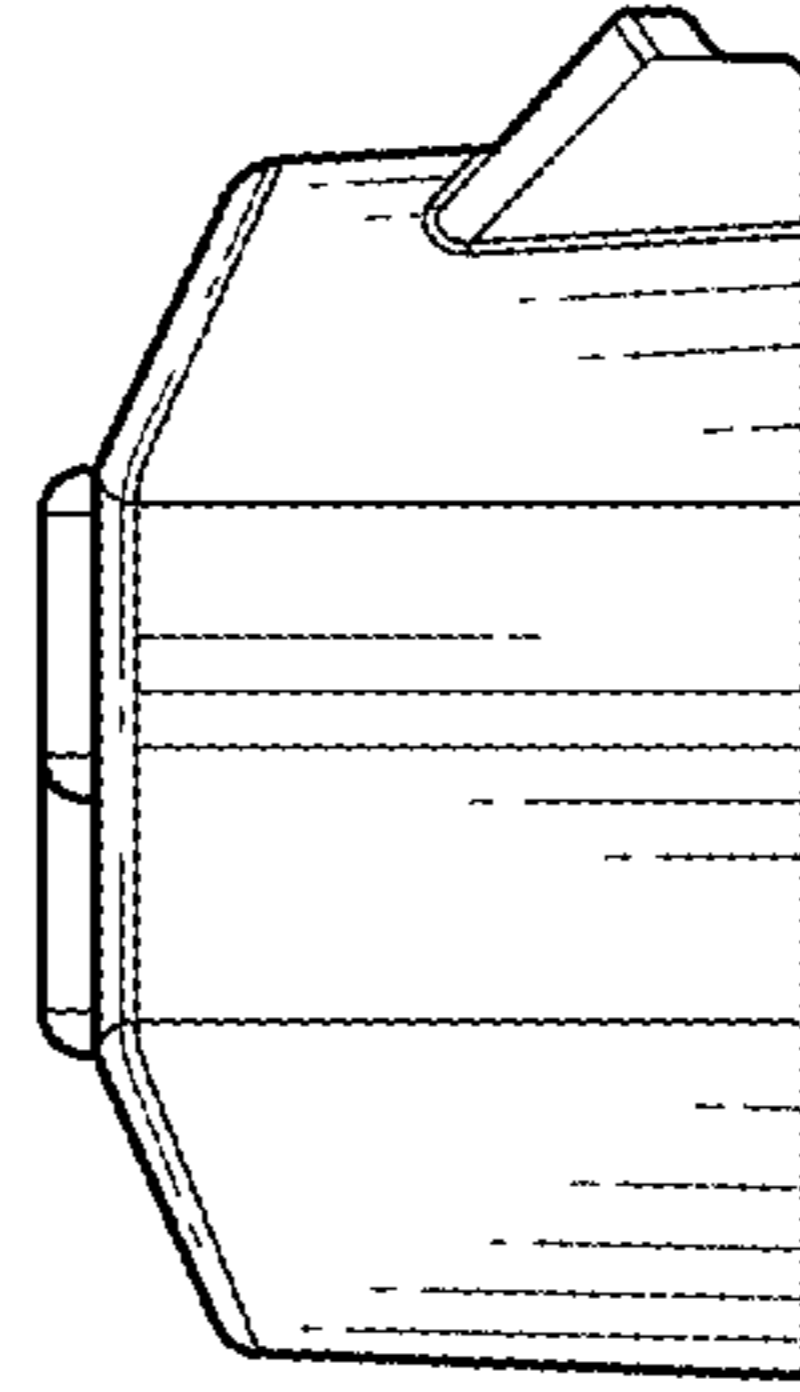


FIG. 5

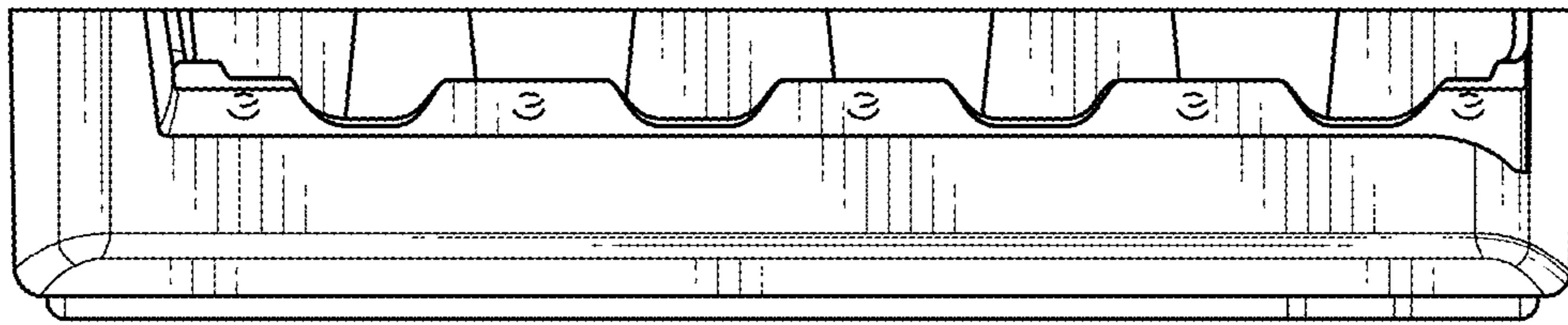


FIG. 6

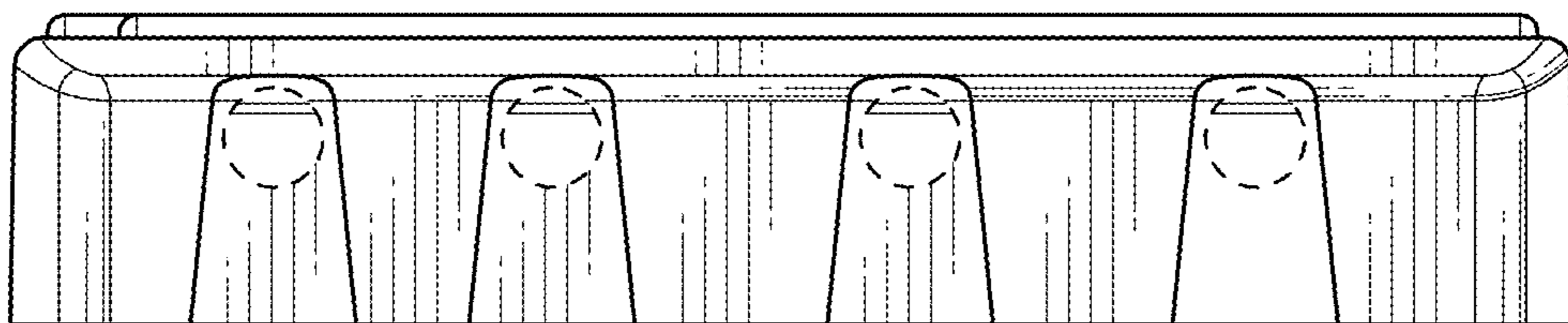


FIG. 7