



US00D837225S

(12) **United States Design Patent**
Russell et al.

(10) **Patent No.:** **US D837,225 S**
(45) **Date of Patent:** **** Jan. 1, 2019**

- (54) **FULL MOTION DISPLAY MOUNT**
- (71) Applicant: **Milestone AV Technologies LLC**, Eden Prairie, MN (US)
- (72) Inventors: **Scott Russell**, Woodbury, MN (US);
Erik Nicholas Olson, Minneapolis, MN (US)
- (73) Assignee: **Milestone AV Technologies LLC**, Eden Prairie, MN (US)
- (**) Term: **15 Years**
- (21) Appl. No.: **29/560,635**
- (22) Filed: **Apr. 8, 2016**
- (51) **LOC (11) Cl.** **14-03**
- (52) **U.S. Cl.**
USPC **D14/452**; D14/239
- (58) **Field of Classification Search**
USPC D14/239, 238, 336, 341, 371, 373, 374,
D14/375, 376, 377, 126, 127, 128, 129,
D14/447-452; D8/373
CPC F16M 11/105; F16M 11/10; F16M 11/048;
F16M 11/12; F16M 13/022; F16M 11/24;
F16M 11/02
See application file for complete search history.

8,746,639 B2 *	6/2014	Nguyen	F16M 11/10 248/205.1
8,746,642 B2 *	6/2014	Molter	F16M 11/10 248/284.1
9,052,057 B2 *	6/2015	Stenhouse	F16M 11/041
9,109,742 B2	8/2015	Smith		
9,433,293 B2 *	9/2016	Gross	F16M 11/10
2010/0309615 A1 *	12/2010	Grey	F16M 11/10 361/679.01

FOREIGN PATENT DOCUMENTS

FR 3028113 A1 * 5/2016 F24J 2/5232

OTHER PUBLICATIONS

Monoprice. <URL: https://www.monoprice.com/product?p_id=12280> Feb. 8, 2015. Full Motion Wall Mount.*

* cited by examiner

Primary Examiner — Brandon M Rosati
Assistant Examiner — Lauren D McVey
(74) *Attorney, Agent, or Firm* — Patterson Thuent Pedersen, P.A.

(57) **CLAIM**

The ornamental design for a full motion display mount, as shown and described.

DESCRIPTION

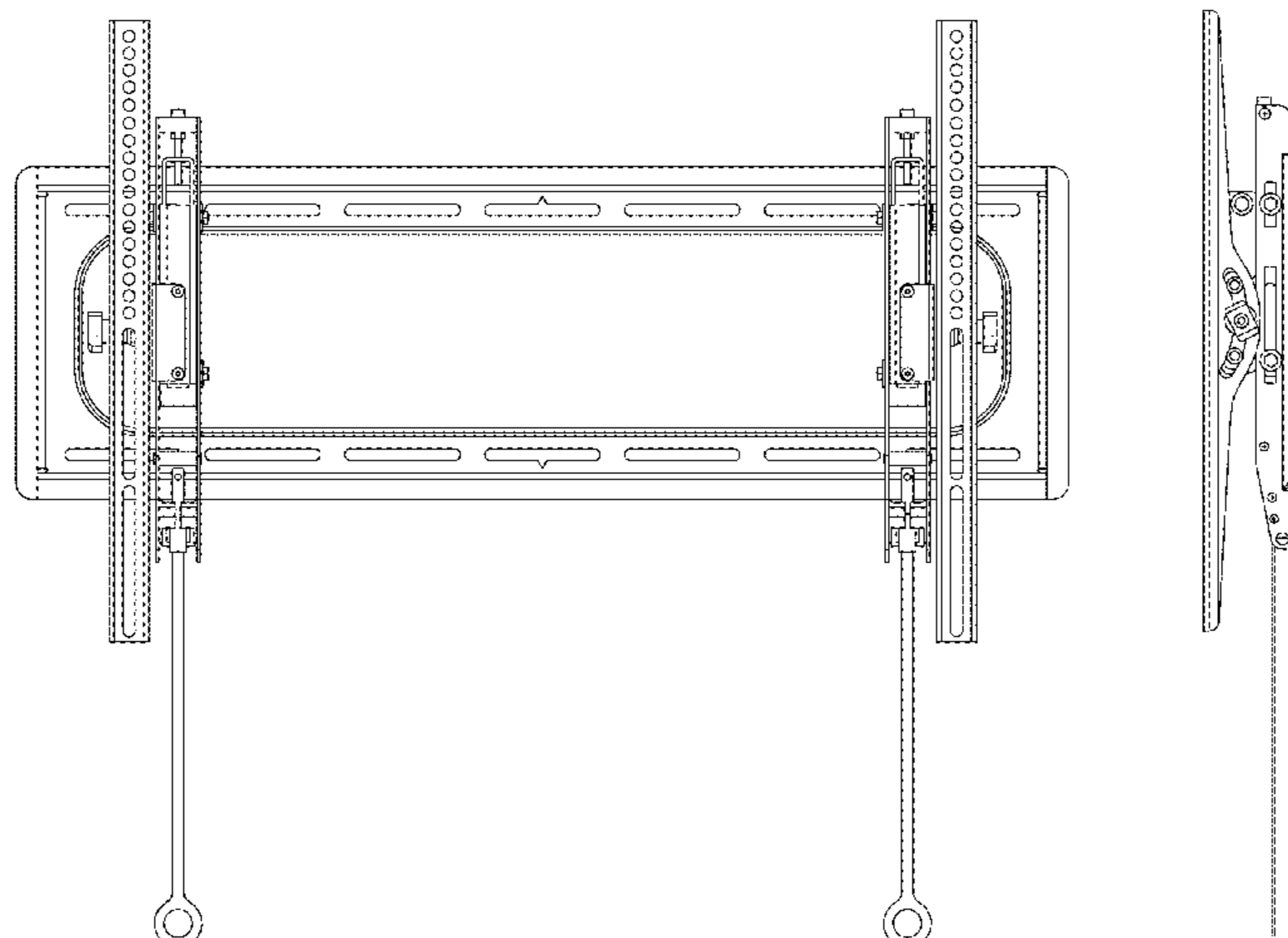
FIG. 1 is an isometric view of a full motion display mount showing our new design;
FIG. 2 is a front elevation view thereof;
FIG. 3 is a right elevation view thereof;
FIG. 4 is a left elevation view thereof;
FIG. 5 is a top plan view thereof; and,
FIG. 6 is a bottom plan view thereof.
The broken lines shown in the views are included for the purpose of illustrating portions of the article that forms no part of the claimed design.

1 Claim, 4 Drawing Sheets

(56) **References Cited**

U.S. PATENT DOCUMENTS

D493,800 S *	8/2004	Pfister	D14/451
D517,085 S *	3/2006	Deuschle	D14/451
7,178,775 B2	2/2007	Pfister et al.		
D538,632 S *	3/2007	Ly Hau	D8/363
D539,126 S *	3/2007	Stenhouse	D8/373
D631,875 S *	2/2011	Skull	D14/239
D635,130 S *	3/2011	Skull	D14/239
8,235,341 B2 *	8/2012	Taylor	F16M 11/10 248/201
8,456,808 B2	6/2013	Grey et al.		
8,490,934 B2	7/2013	Dittmer		
D703,641 S *	4/2014	Xiang	D14/239



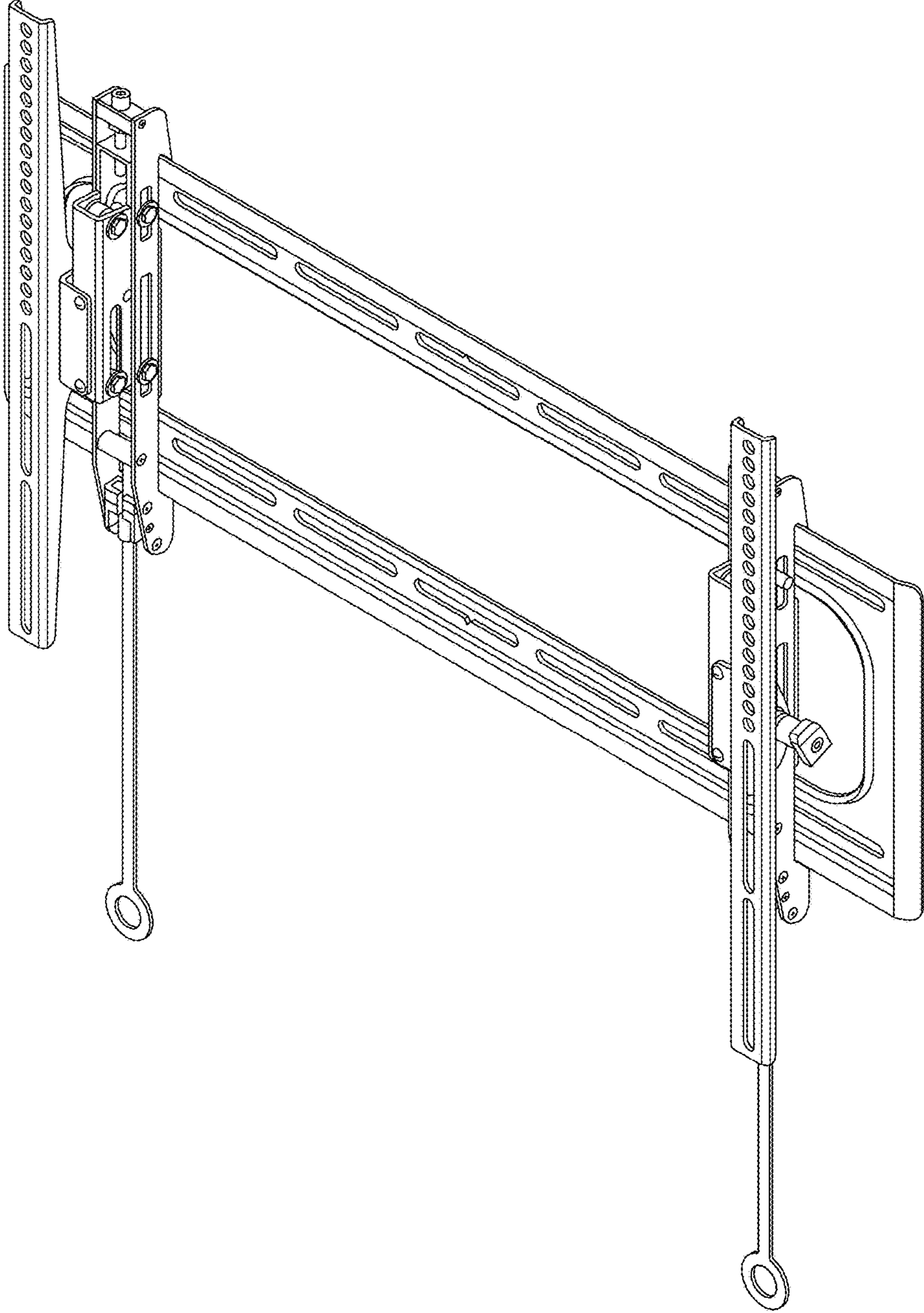


Fig. 1

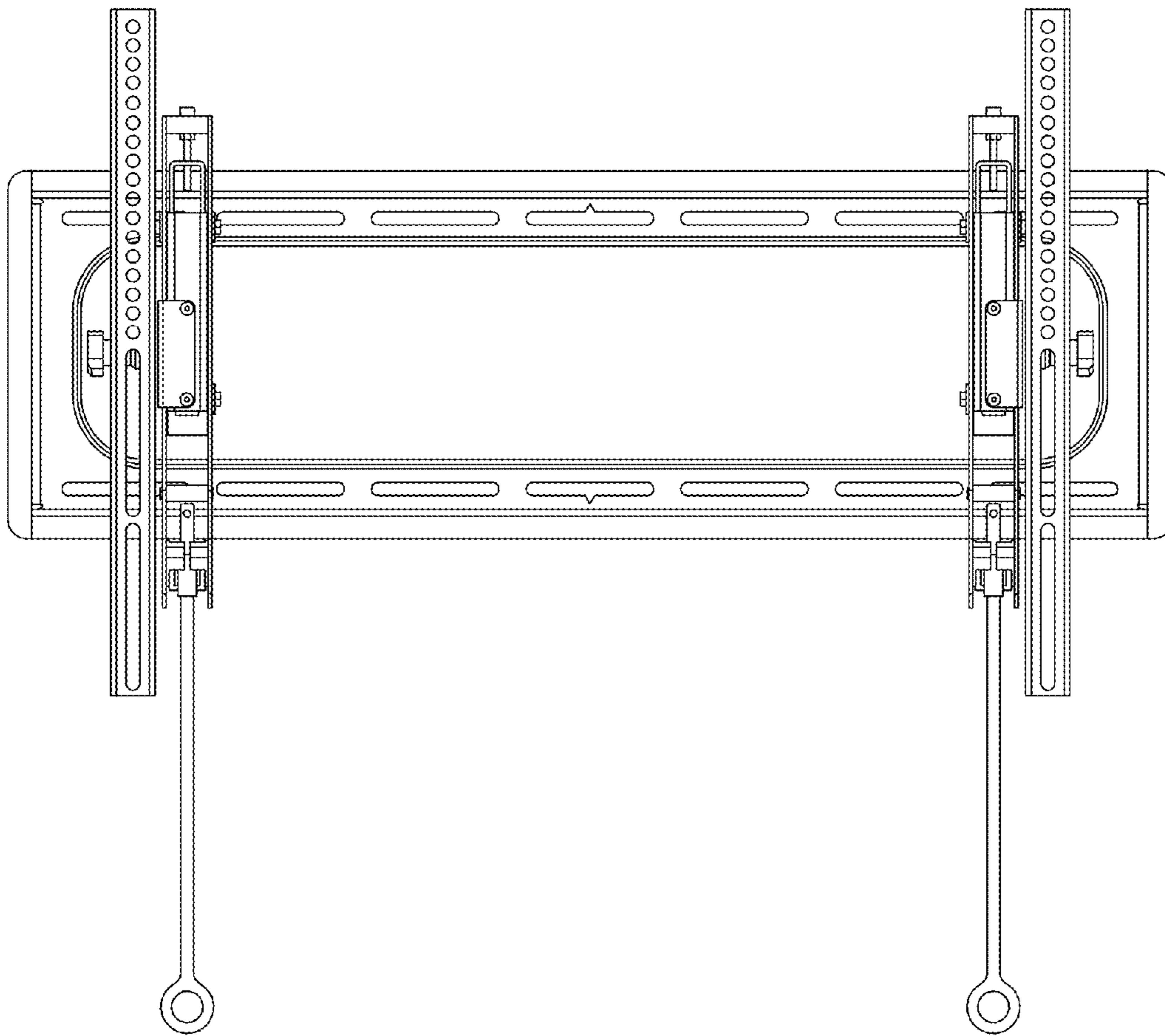


Fig. 2

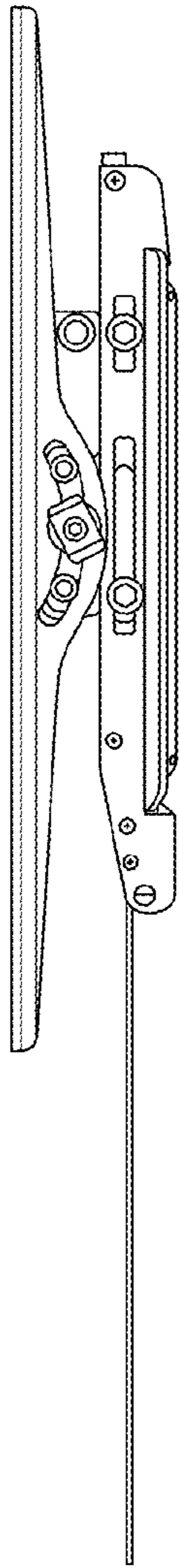


Fig. 3

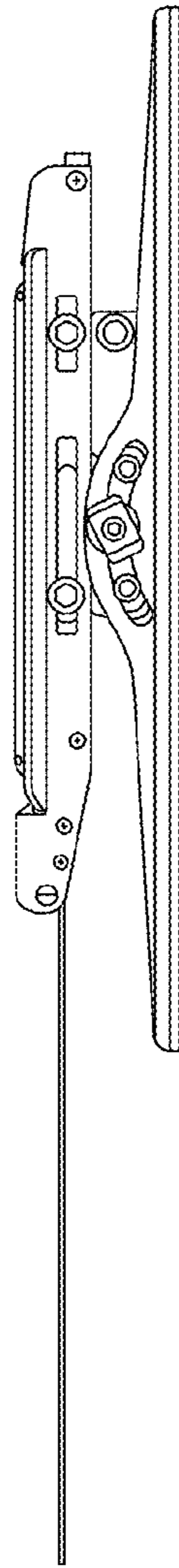


Fig. 4

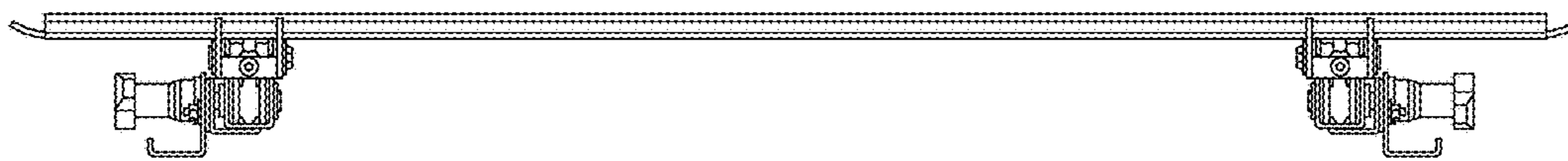


Fig. 5



Fig. 6