



US00D837222S

(12) **United States Design Patent** (10) **Patent No.:** **US D837,222 S**  
**Janzen et al.** (45) **Date of Patent:** **\*\* Jan. 1, 2019**

(54) **ARTICULATED POLE FOR A MOBILE STAND**

D692,436 S 10/2013 Hung  
D697,919 S 1/2014 Gelsomini et al.  
D700,706 S 3/2014 Molter  
D709,896 S \* 7/2014 McKinstry ..... D14/447  
D717,804 S 11/2014 Budge  
(Continued)

(71) Applicant: **Tryten Technologies Inc.**, Seattle, WA (US)

(72) Inventors: **Tony Janzen**, Langley (CA); **Otto Baartman**, British Columbia (CA); **Jonathan Culley**, British Columbia (CA)

OTHER PUBLICATIONS

Janzen, T., et al., "Base for a Mobile Stand," U.S. Appl. No. 29/630,000, filed Dec. 18, 2017.  
(Continued)

(73) Assignee: **Tryten Technologies, Inc.**, Seattle, WA (US)

*Primary Examiner* — Angela J Lee

(\*\*) Term: **15 Years**

(74) *Attorney, Agent, or Firm* — Christensen O'Connor Johnson Kindness, PLLC; Ryan Dodge

(21) Appl. No.: **29/630,001**

(57) **CLAIM**

(22) Filed: **Dec. 18, 2017**

The ornamental design for an articulated pole for a mobile stand, as shown and described.

(51) **LOC (11) Cl.** ..... **08-07**

(52) **U.S. Cl.**

**DESCRIPTION**

USPC ..... **D14/447**

(58) **Field of Classification Search**

USPC ..... D14/447, 432, 434, 439, 440, 451, 452, D14/457, 239; D8/363, 373, 380; D6/406.3, 406.4, 406.5, 406.6; D12/415; D13/108, 144; D24/186; D34/23

See application file for complete search history.

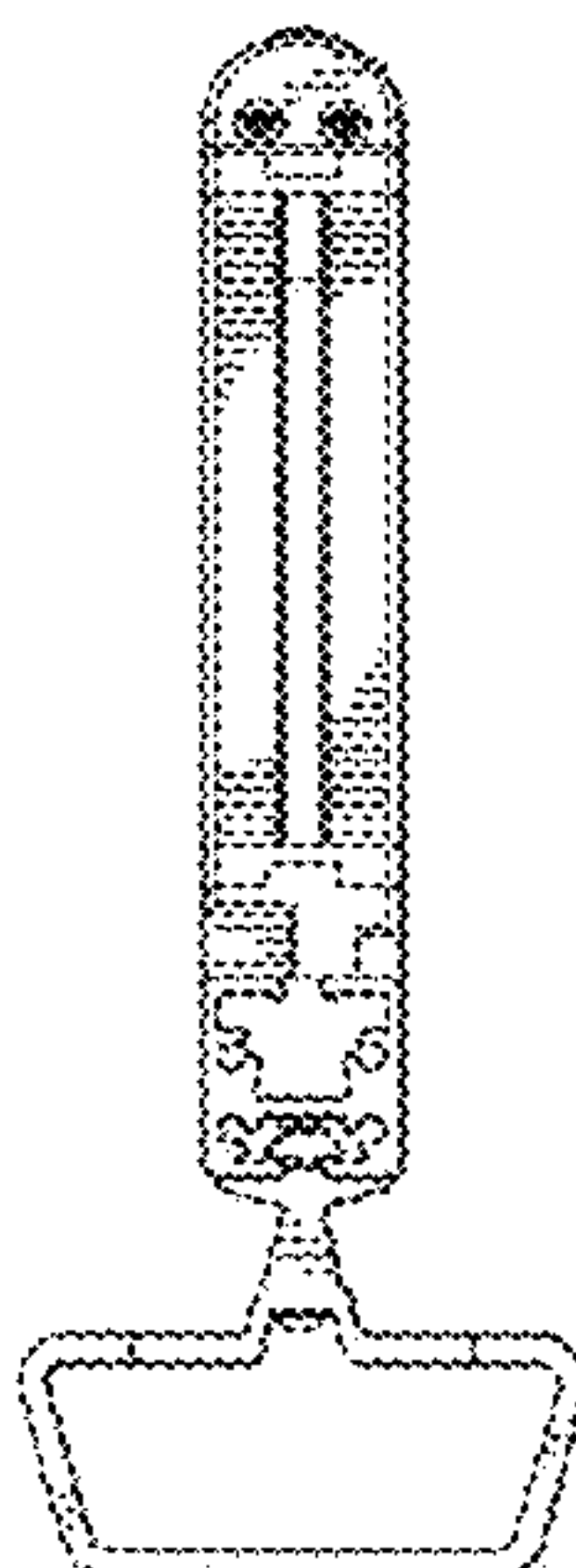
FIG. 1 is an upper-right-front perspective view of an articulated pole for a mobile stand in accordance with the present design;  
FIG. 2 is a lower-left-back perspective view of the articulated pole for a mobile stand shown in FIG. 1;  
FIG. 3 is a front view of the articulated pole for a mobile stand shown in FIG. 1;  
FIG. 4 is a back view of the articulated pole for a mobile stand shown in FIG. 1;  
FIG. 5 is a top plan view of the articulated pole for a mobile stand shown in FIG. 1;  
FIG. 6 is a bottom plan view of the articulated pole for a mobile stand shown in FIG. 1;  
FIG. 7 is a left side view of the articulated pole for a mobile stand shown in FIG. 1; and,  
FIG. 8 is a right side view of the articulated pole for a mobile stand shown in FIG. 1.

(56) **References Cited**

U.S. PATENT DOCUMENTS

D435,107 S 12/2000 Blair et al.  
7,274,564 B2 9/2007 Rossini  
D618,350 S 6/2010 Balas  
D646,315 S 10/2011 Orf  
D650,774 S 12/2011 Molter  
D652,936 S 1/2012 Ross et al.  
D662,940 S \* 7/2012 Magnusson ..... D14/451  
D663,306 S \* 7/2012 Barbieri ..... D14/452  
D671,545 S \* 11/2012 Guran ..... D14/447  
D685,806 S \* 7/2013 Kim ..... D14/451

**1 Claim, 6 Drawing Sheets**



(56)

**References Cited**

U.S. PATENT DOCUMENTS

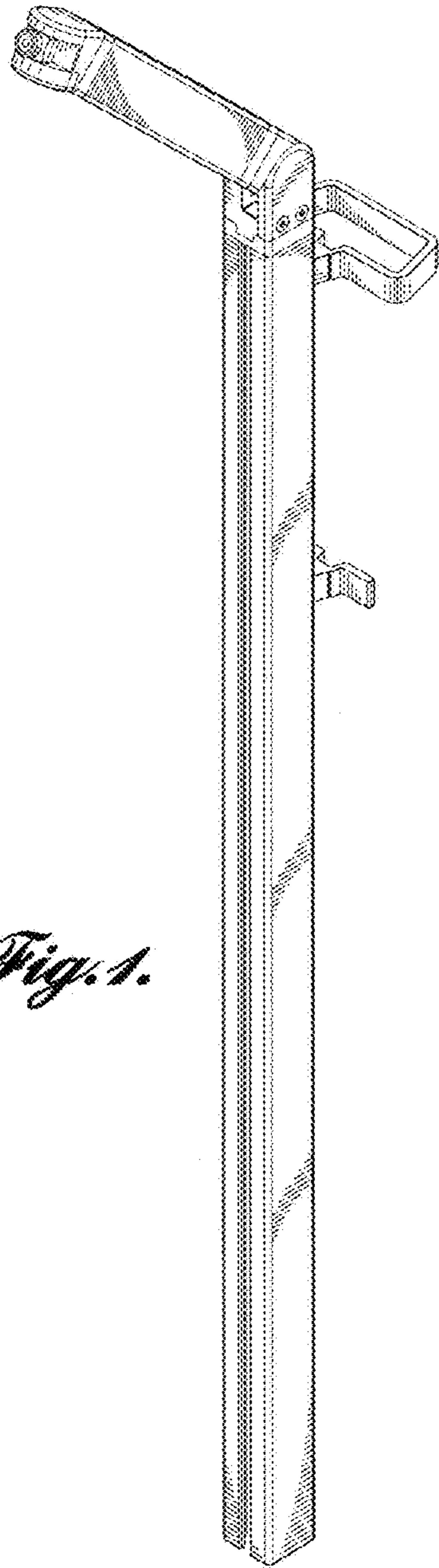
D724,072 S \* 3/2015 Jiang ..... D14/253  
 D731,497 S \* 6/2015 Xiang ..... D14/447  
 D735,727 S \* 8/2015 Dugger ..... D14/447  
 D739,947 S 9/2015 Maier  
 D742,387 S 11/2015 Xiang et al.  
 D746,824 S \* 1/2016 Heckler ..... D14/447  
 D752,597 S 3/2016 Girault  
 D753,126 S 4/2016 Alesi et al.  
 D765,447 S 9/2016 Barham et al.  
 D765,646 S 9/2016 Deng et al.  
 9,441,782 B2 9/2016 Funk et al.  
 D778,283 S 2/2017 Tsai  
 D783,837 S 4/2017 Janzen  
 D789,375 S \* 6/2017 Dalton ..... D14/447  
 D796,047 S 8/2017 Janzen

D798,872 S \* 10/2017 Gonen ..... D14/447  
 D801,978 S \* 11/2017 Danforth ..... D14/447  
 D804,487 S 12/2017 Theis  
 2008/0061195 A1 3/2008 Carnevali  
 2008/0142667 A1 6/2008 German et al.  
 2009/0294604 A1 12/2009 Sunderland  
 2012/0025036 A1 2/2012 Huang  
 2016/0367329 A1 12/2016 Dekel  
 2017/0188724 A1 7/2017 Lin

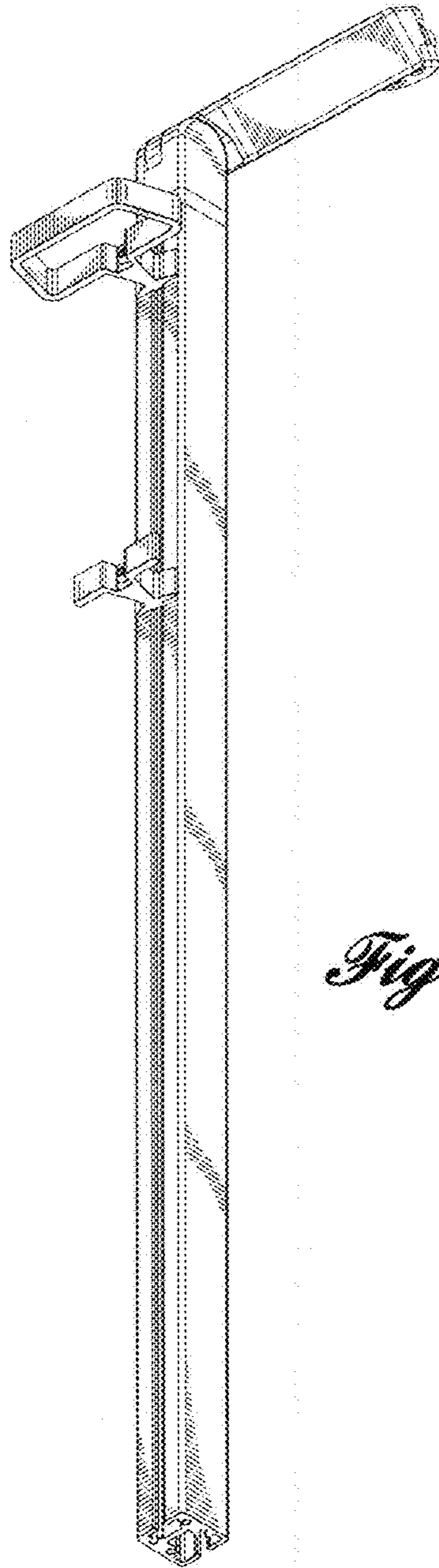
OTHER PUBLICATIONS

Janzen, T., et al., "Mobile Stand for an Electronic Display Device,"  
 U.S. Appl. No. 29/629,998, filed Dec. 18, 2017.  
 Janzen, T., et al., "Retainer for Supporting an Electronic Display,"  
 U.S. Appl. No. 29/629,999, filed Dec. 18, 2017.

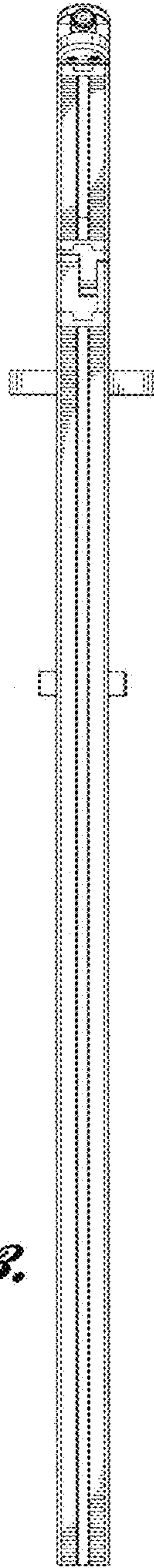
\* cited by examiner



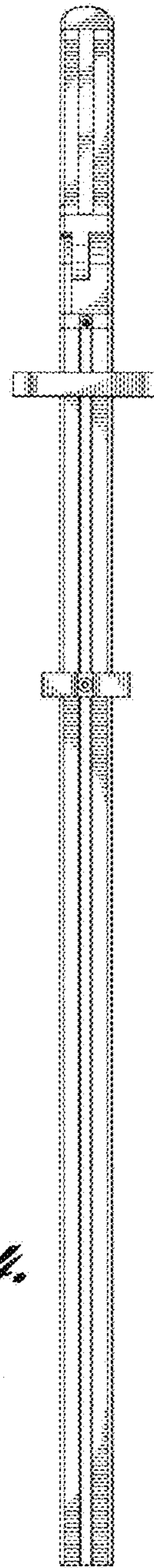
*Fig. 1.*



*Fig. 2.*

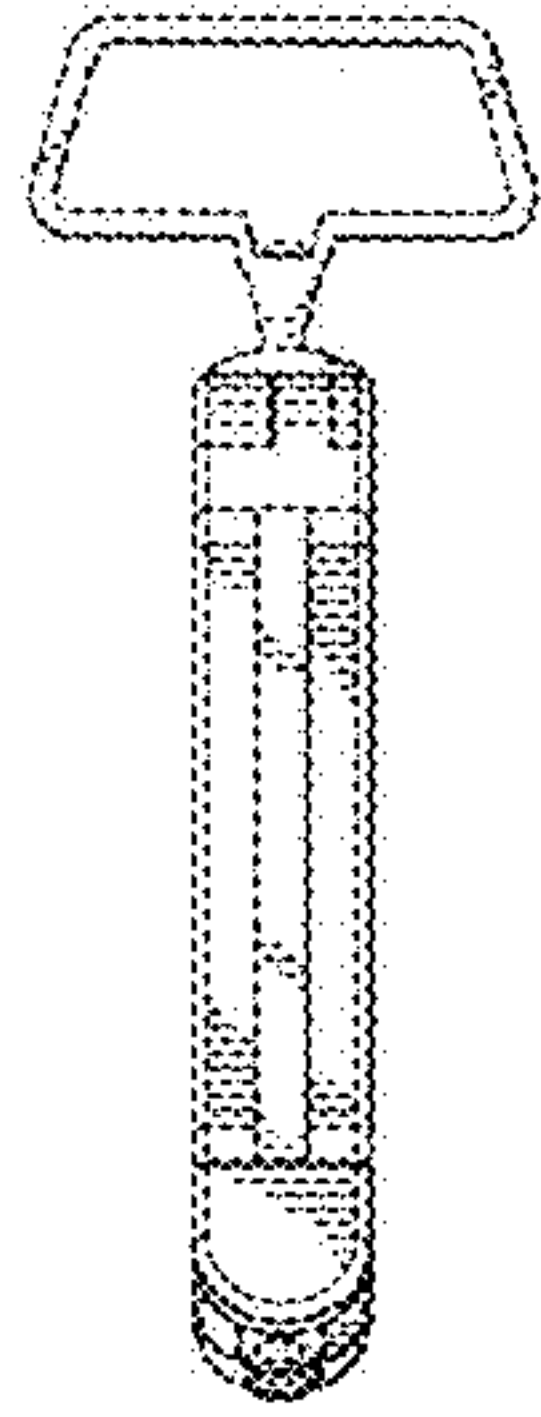


*Fig.3.*

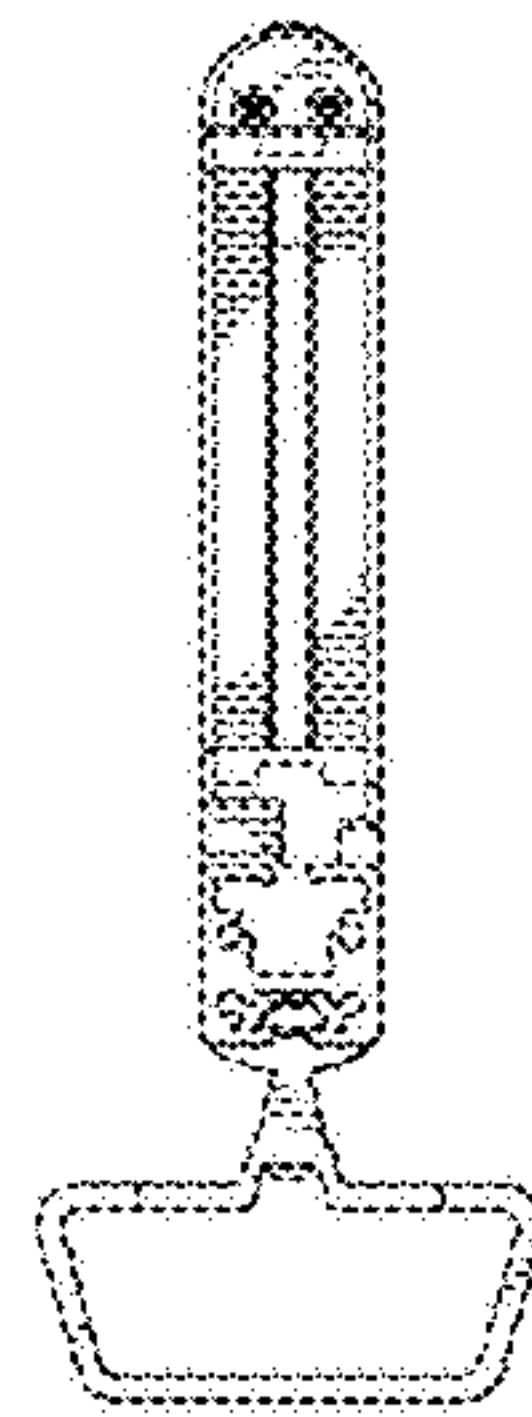


*Fig.4.*

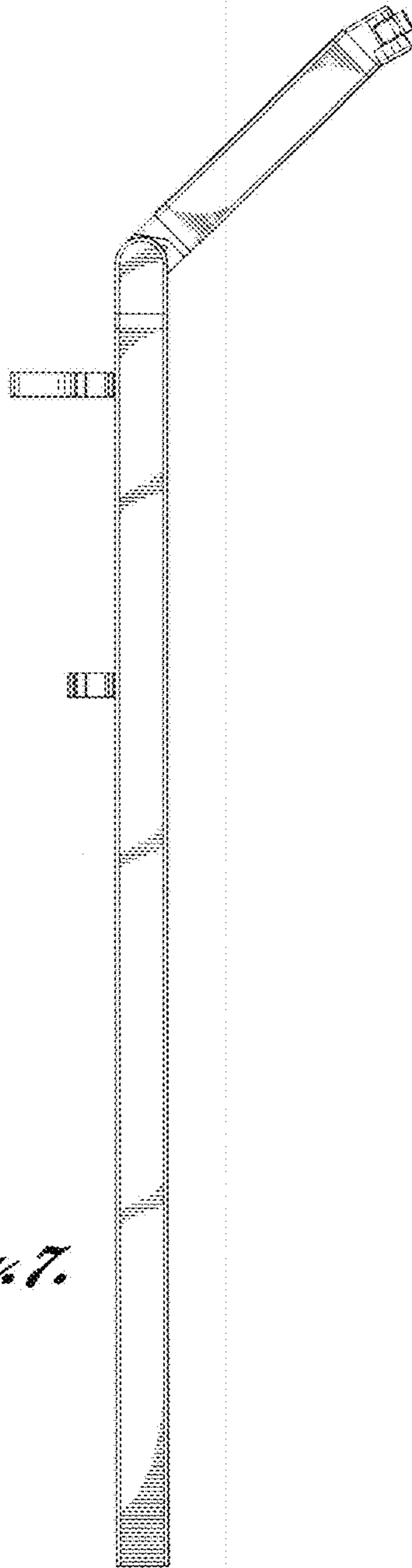




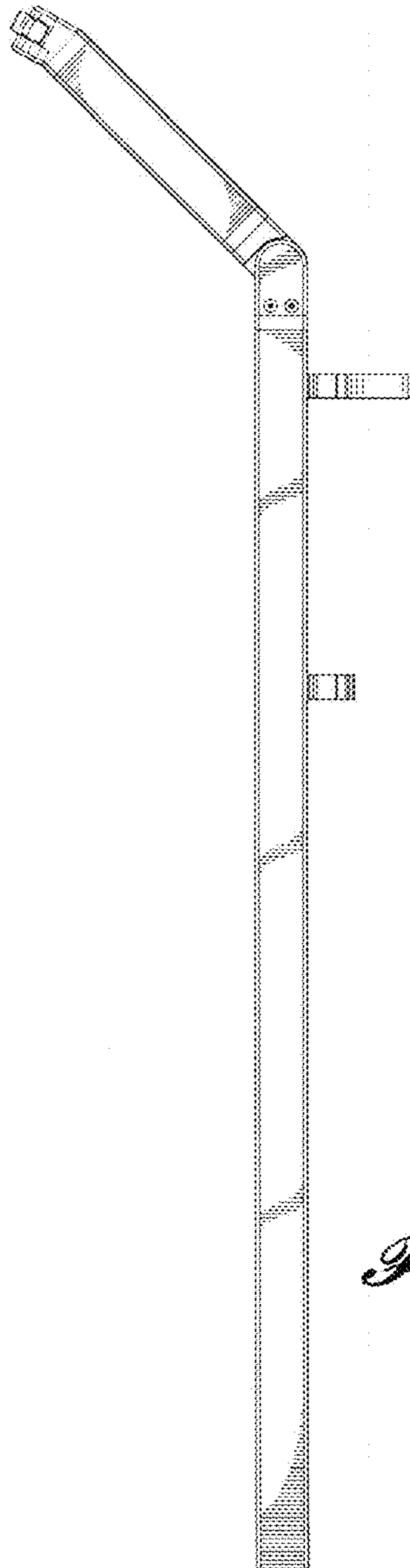
*Fig. 5.*



*Fig. 6.*



*Fig. 7.*



*Fig. 8.*