



US00D837221S

(12) **United States Design Patent** (10) **Patent No.:** **US D837,221 S**
Janzen et al. (45) **Date of Patent:** **** Jan. 1, 2019**

- (54) **BASE FOR A MOBILE STAND**
- (71) Applicant: **Tryten Technologies Inc.**, Seattle, WA (US)
- (72) Inventors: **Tony Janzen**, Langley (CA); **Otto Baartman**, British Columbia (CA); **Jonathan Culley**, British Columbia (CA)
- (73) Assignee: **Tryten Technologies, Inc.**, Seattle, WA (US)
- (**) Term: **15 Years**
- (21) Appl. No.: **29/630,000**
- (22) Filed: **Dec. 18, 2017**
- (51) **LOC (11) Cl.** **08-07**
- (52) **U.S. Cl.**
 USPC **D14/447**
- (58) **Field of Classification Search**
 USPC D14/447, 432, 434, 439, 440, 451, 452, D14/457, 239; D8/363, 373, 380; D6/406.3, 406.4, 406.5, 406.6; D12/415; D13/108, 144; D24/186; D34/23
 See application file for complete search history.

- (56) **References Cited**
- U.S. PATENT DOCUMENTS
- | | | | |
|--------------|---------|--------------|-----------------------|
| D435,107 S | 12/2000 | Blair et al. | |
| 7,274,564 B2 | 9/2007 | Rossini | |
| D615,072 S * | 5/2010 | Saitou | D14/239 |
| D618,350 S | 6/2010 | Balas | |
| D626,237 S * | 10/2010 | Nordgren | D24/185 |
| D635,980 S * | 4/2011 | Hung | D14/451 |
| D642,183 S * | 7/2011 | Chinuki | F16M 11/28
D14/451 |
| D646,315 S | 10/2011 | Orf | |
| D650,774 S | 12/2011 | Molter | |
| D652,936 S | 1/2012 | Ross et al. | |

- | | | |
|------------|---------|------------------|
| D692,436 S | 10/2013 | Hung |
| D697,919 S | 1/2014 | Gelsomini et al. |
| D700,706 S | 3/2014 | Molter |
- (Continued)

OTHER PUBLICATIONS

Janzen, T., et al., "Articulated Pole for a Mobile Stand," U.S. Appl. No. 29/630,001, filed Dec. 18, 2017.
 (Continued)

Primary Examiner — Angela J Lee
 (74) *Attorney, Agent, or Firm* — Christensen O'Connor Johnson Kindness, PLLC; Ryan Dodge

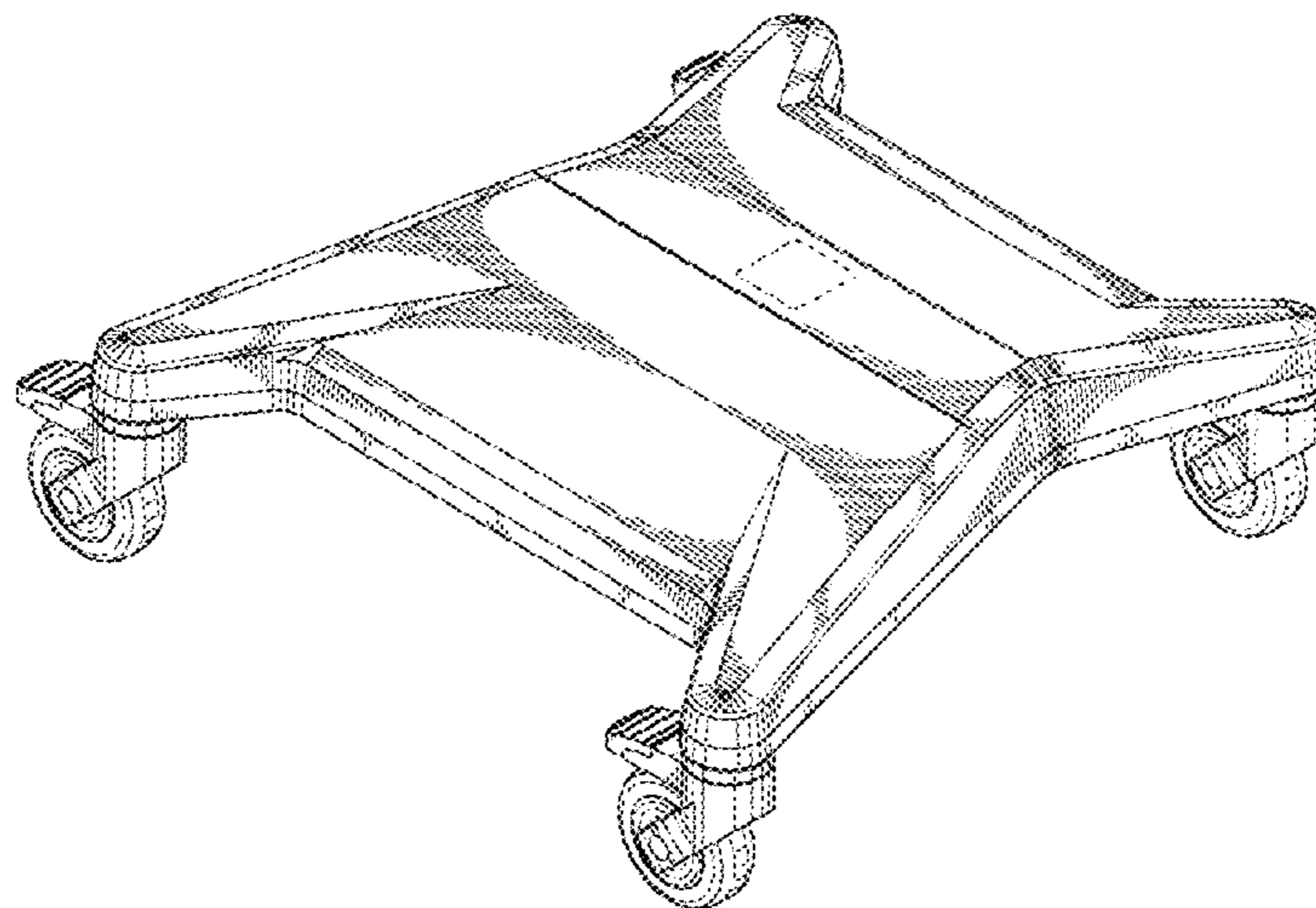
(57) **CLAIM**

The ornamental design for a base for a mobile stand, as shown and described.

DESCRIPTION

FIG. 1 is an upper-right-front perspective view of a base for a mobile stand in accordance with the present design;
 FIG. 2 is a lower-left-back perspective view of the base for a mobile stand shown in FIG. 1;
 FIG. 3 is a top plan view of the base for a mobile stand shown in FIG. 1;
 FIG. 4 is a bottom plan view of the base for a mobile stand shown in FIG. 1;
 FIG. 5 is a front view of the base for a mobile stand shown in FIG. 1;
 FIG. 6 is a back view of the base for a mobile stand shown in FIG. 1;
 FIG. 7 is a right side view of the base for a mobile stand shown in FIG. 1; and,
 FIG. 8 is a left side view of the base for a mobile stand shown in FIG. 1.
 The broken line showing of an aperture is for the purpose of illustrating portions of the base and forms no part of the claimed design.

1 Claim, 6 Drawing Sheets



(56)

References Cited

U.S. PATENT DOCUMENTS

D708,341 S * 7/2014 Ikegame D24/185
 D717,804 S 11/2014 Budge
 D722,696 S * 2/2015 Blomquist D24/164
 D731,995 S * 6/2015 Kamp D14/125
 D739,947 S 9/2015 Maier
 D742,387 S 11/2015 Xiang et al.
 D742,863 S * 11/2015 Aoyagi D14/239
 D752,597 S 3/2016 Girault
 D753,126 S 4/2016 Alesi et al.
 D764,669 S * 8/2016 Birath D24/164
 D765,447 S 9/2016 Barham et al.
 D765,646 S 9/2016 Deng et al.
 9,441,782 B2 9/2016 Funk et al.
 D778,283 S 2/2017 Tsai
 D783,837 S 4/2017 Janzen
 D784,998 S * 4/2017 Cutler D14/447
 D796,047 S 8/2017 Janzen

D804,487 S 12/2017 Theis
 D810,305 S * 2/2018 Zhang D24/185
 D823,310 S * 7/2018 Plassard D14/447
 2008/0061195 A1 3/2008 Carnevali
 2008/0142667 A1 6/2008 German et al.
 2009/0294604 A1 12/2009 Sunderland
 2012/0025036 A1 2/2012 Huang
 2016/0270525 A1 * 9/2016 Aldrich F16M 11/42
 2016/0367329 A1 12/2016 Dekel
 2017/0188724 A1 7/2017 Lin

OTHER PUBLICATIONS

Janzen, T., et al., "Mobile Stand for an Electronic Display Device,"
 U.S. Appl. No. 29/629,998, filed Dec. 18, 2017.
 Janzen, T., et al., "Retainer for Supporting an Electronic Display,"
 U.S. Appl. No. 29/629,999, filed Dec. 18, 2017.

* cited by examiner

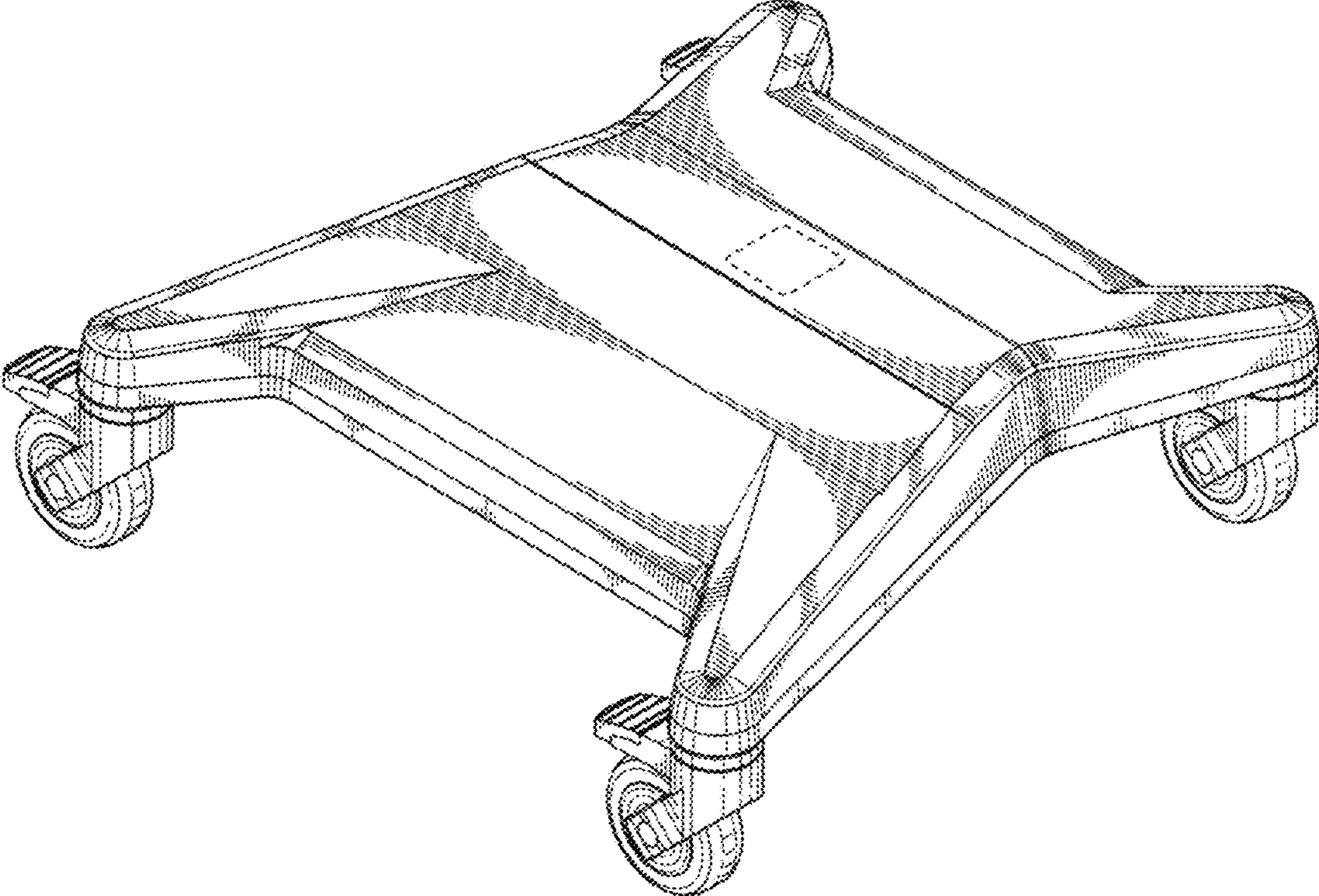


Fig. 1.

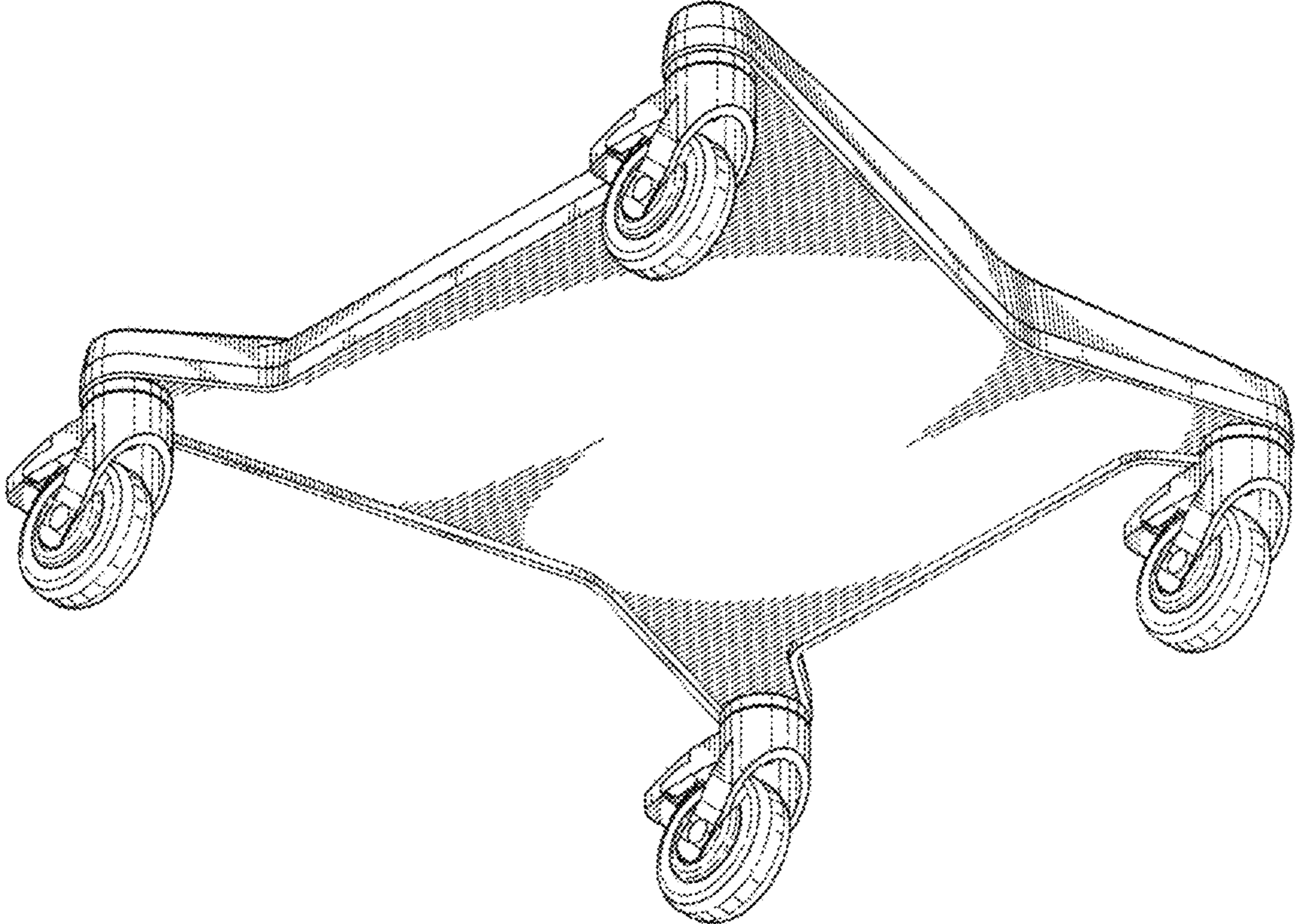


Fig. 2.

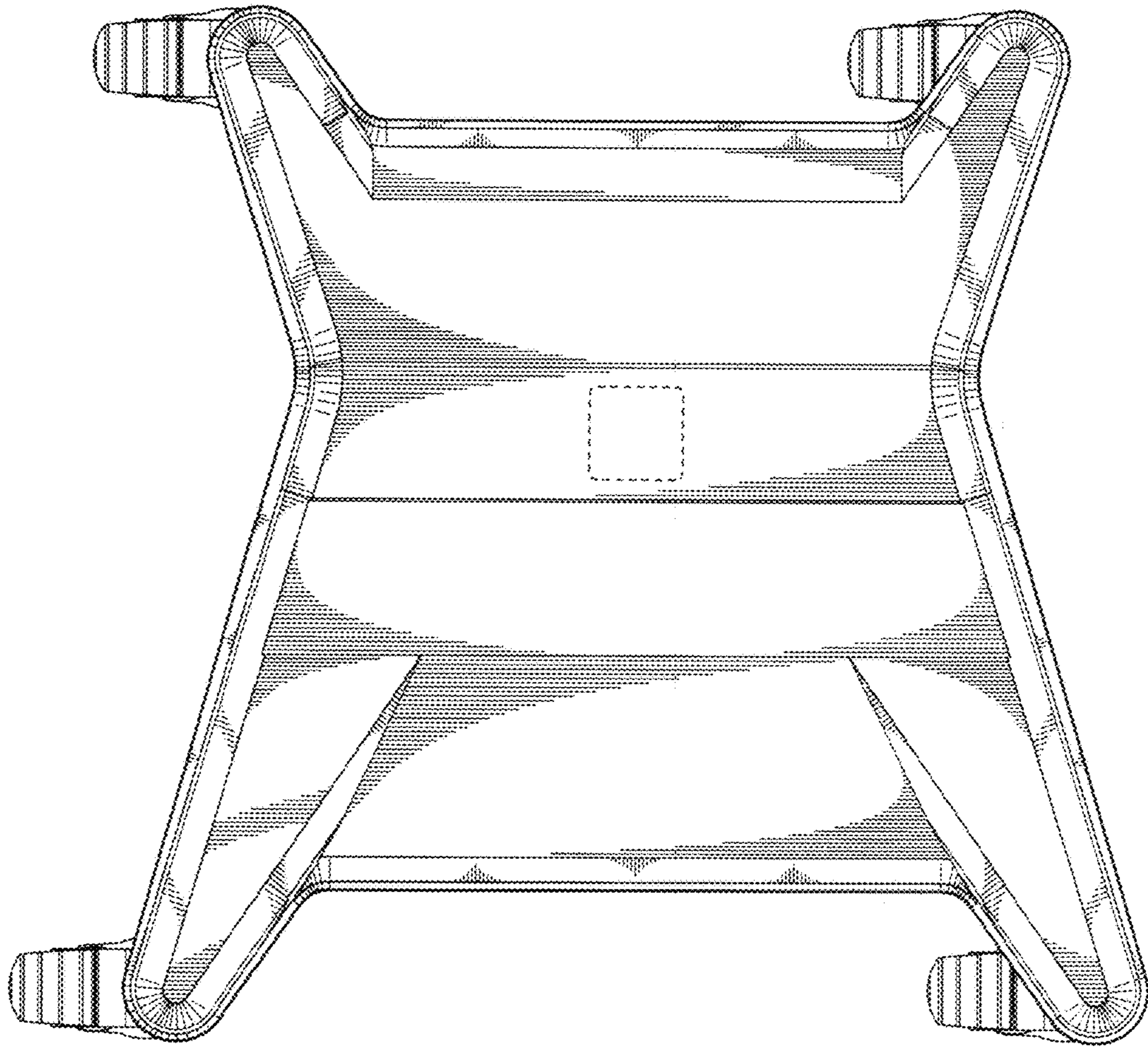


Fig. 3.

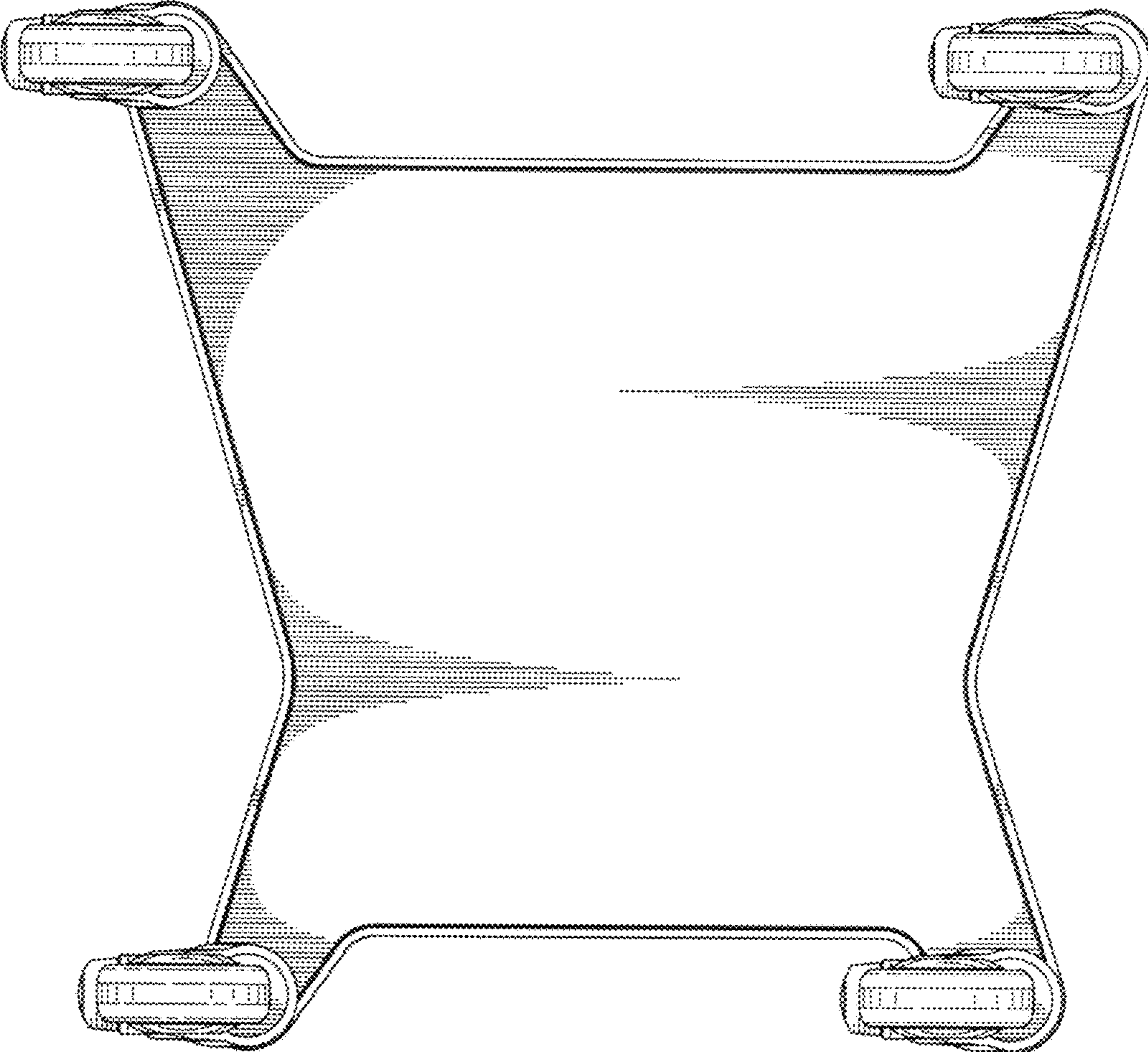


Fig. 4.

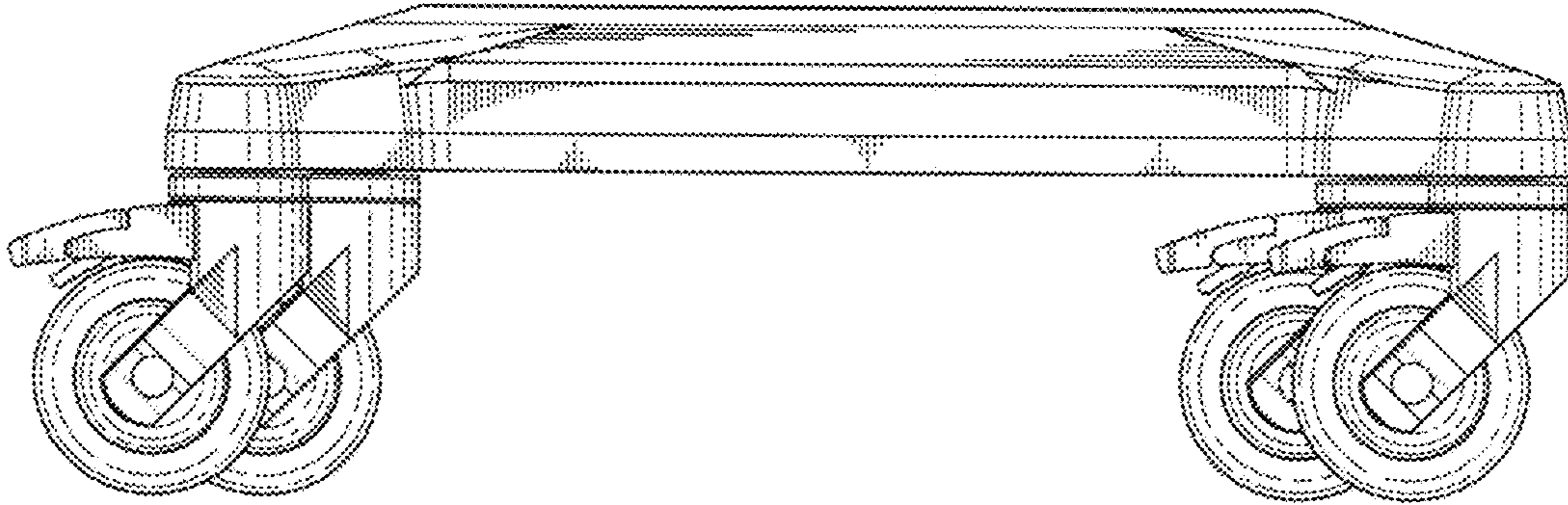


Fig. 5.

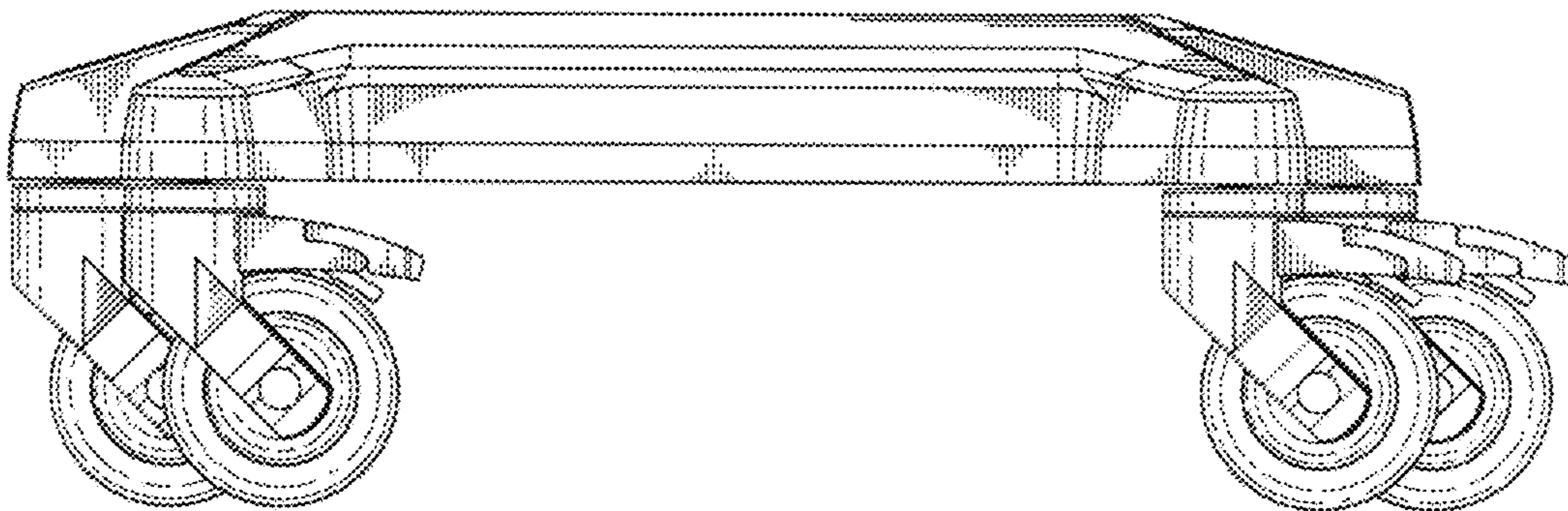


Fig. 6.

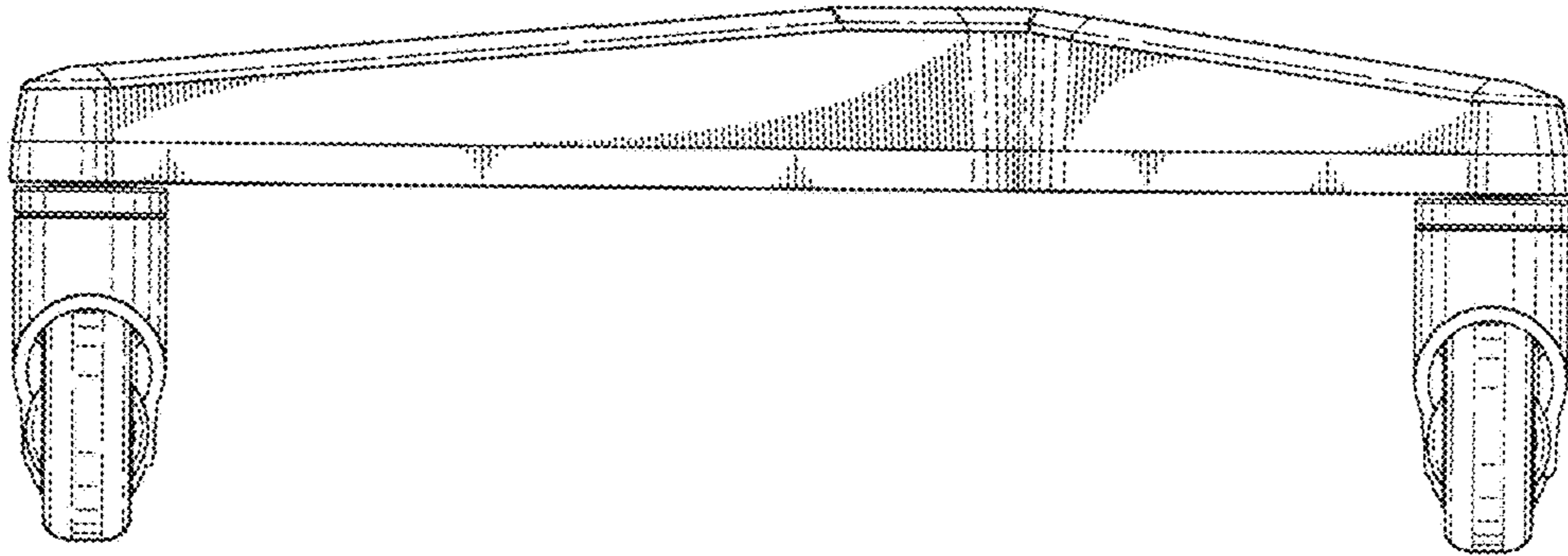


Fig. 7.

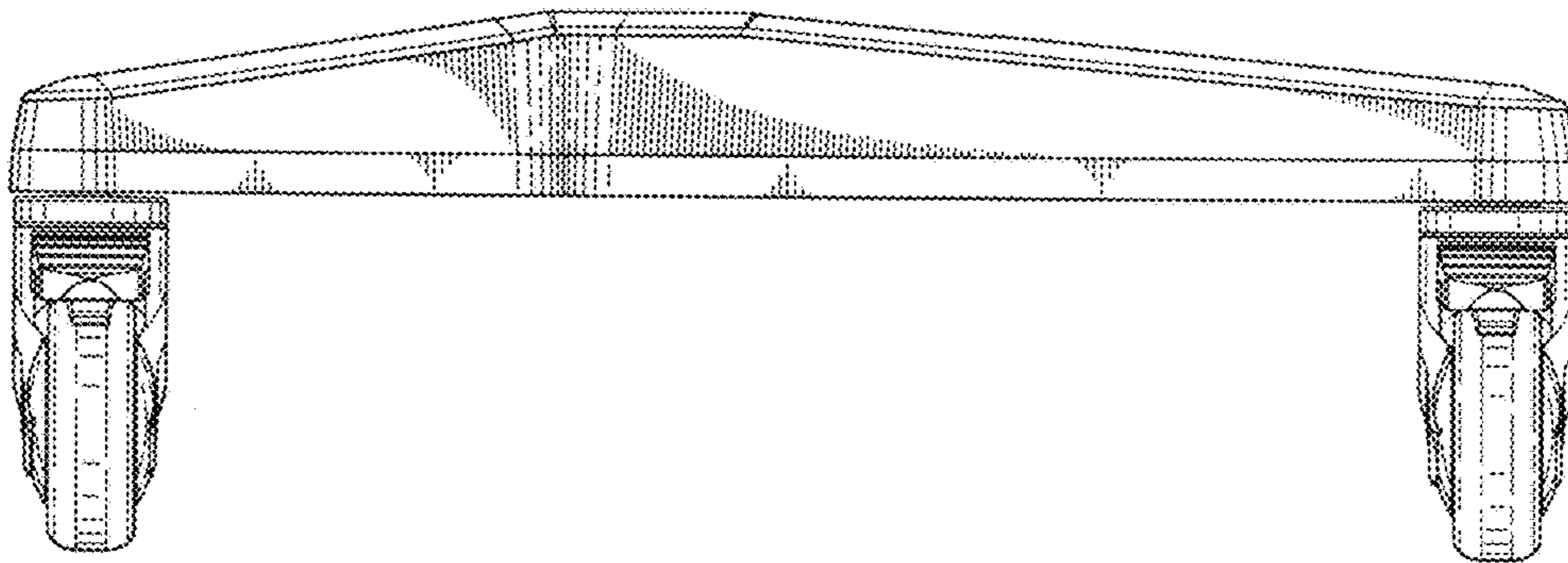


Fig. 8.