



US00D837220S

(12) **United States Design Patent**
Sumii

(10) **Patent No.:** **US D837,220 S**

(45) **Date of Patent:** **** Jan. 1, 2019**

(54) **STAND FOR ARITHMETIC AND CONTROL UNIT**

(71) Applicant: **SONY INTERACTIVE ENTERTAINMENT INC.**, Tokyo (JP)

(72) Inventor: **Tetsu Sumii**, Tokyo (JP)

(73) Assignee: **SONY INTERACTIVE ENTERTAINMENT INC.**, Tokyo (JP)

(**) Term: **15 Years**

(21) Appl. No.: **29/595,770**

(22) Filed: **Mar. 2, 2017**

(30) **Foreign Application Priority Data**

Sep. 2, 2016 (JP) 2016-018969

(51) **LOC (11) Cl.** **08-07**

(52) **U.S. Cl.**
USPC **D14/447**

(58) **Field of Classification Search**
USPC D14/447, 432, 434, 439, 440, 451, 452,
D14/457, 239; D8/363, 373, 380;
D6/406.3, 406.4, 406.5, 406.6; D12/415
CPC A47B 21/04; A47B 2097/006; A47B
2097/005; A47B 2023/049; A45C
2011/002; A45C 2011/003; F16M
2200/00; F16M 13/00
See application file for complete search history.

(56) **References Cited**

U.S. PATENT DOCUMENTS

D361,561 S * 8/1995 Baudot D14/447
D524,319 S * 7/2006 Zamanian D14/447

D540,328 S * 4/2007 Hussaini D14/434
D555,655 S * 11/2007 Iu D14/447
D701,215 S * 3/2014 King D14/447
D703,675 S * 4/2014 Jensen D14/447
D747,322 S * 1/2016 Li D14/447
D768,639 S * 10/2016 Sumii D14/447
D786,260 S * 5/2017 Heckler D14/447

* cited by examiner

Primary Examiner — Angela J Lee

(74) *Attorney, Agent, or Firm* — Young & Thompson

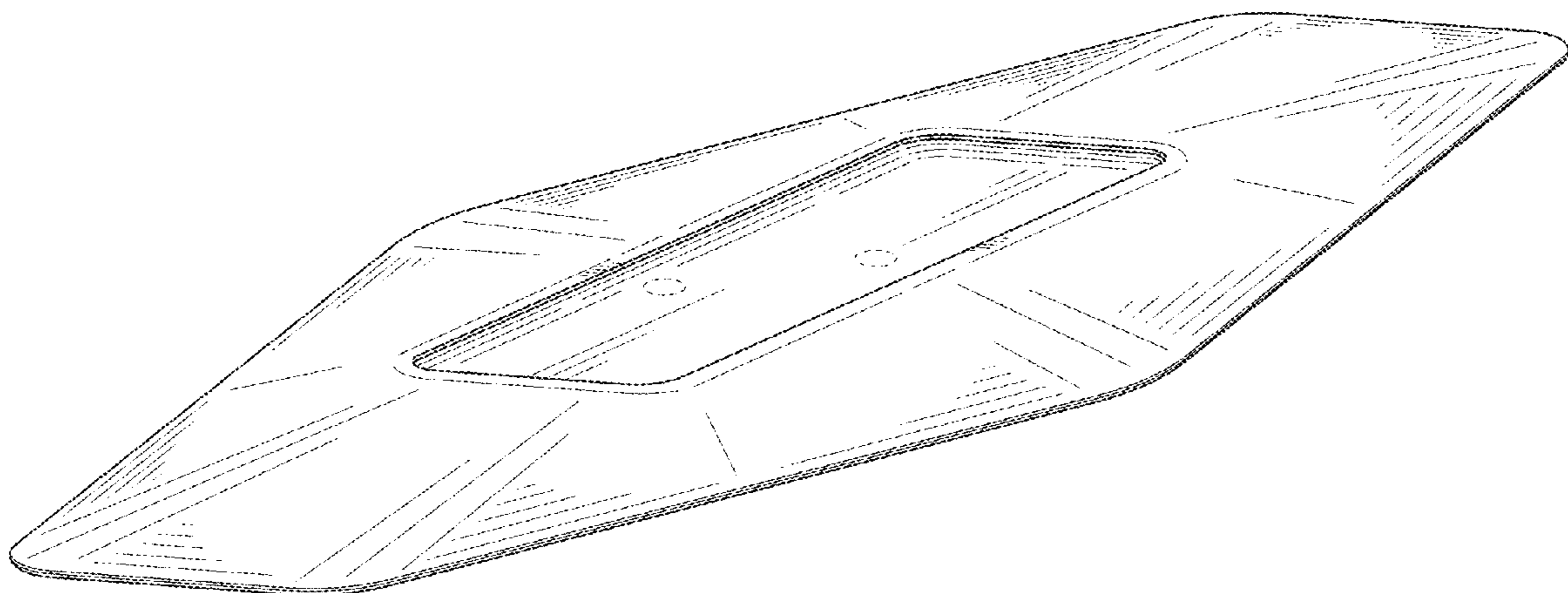
(57) **CLAIM**

The ornamental design for a stand for arithmetic and control unit, as shown and described.

DESCRIPTION

FIG. 1 is a perspective view of front, top and right side of a stand for arithmetic and control unit showing my new design;
FIG. 2 is a perspective view of rear, bottom and left side thereof;
FIG. 3 is a front view thereof;
FIG. 4 is a rear view thereof;
FIG. 5 is a left side view thereof;
FIG. 6 is a right side view thereof;
FIG. 7 is a top view thereof;
FIG. 8 is a bottom view thereof;
FIG. 9 is a perspective view thereof, but shown in use with environment shown in broken lines; and,
FIG. 10 is another perspective view thereof, but shown in use with environment shown in broken lines.
The broken lines form no part of the claimed design.

1 Claim, 7 Drawing Sheets



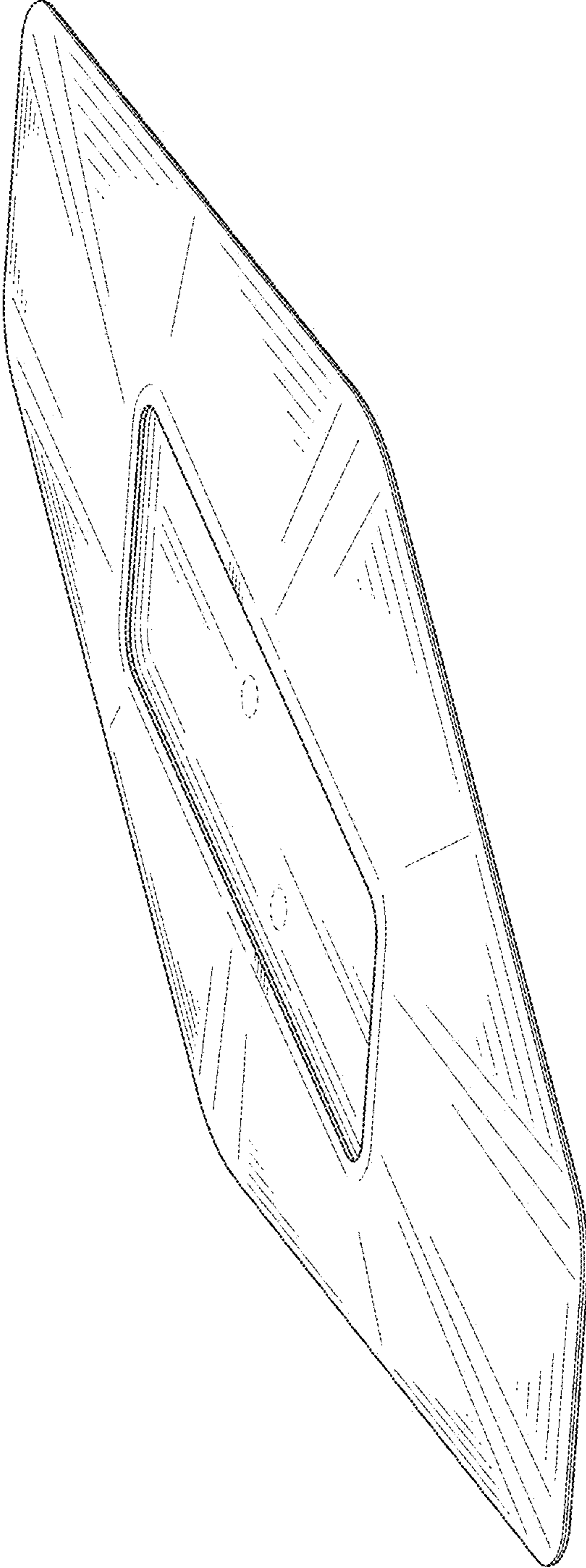


FIG. 1

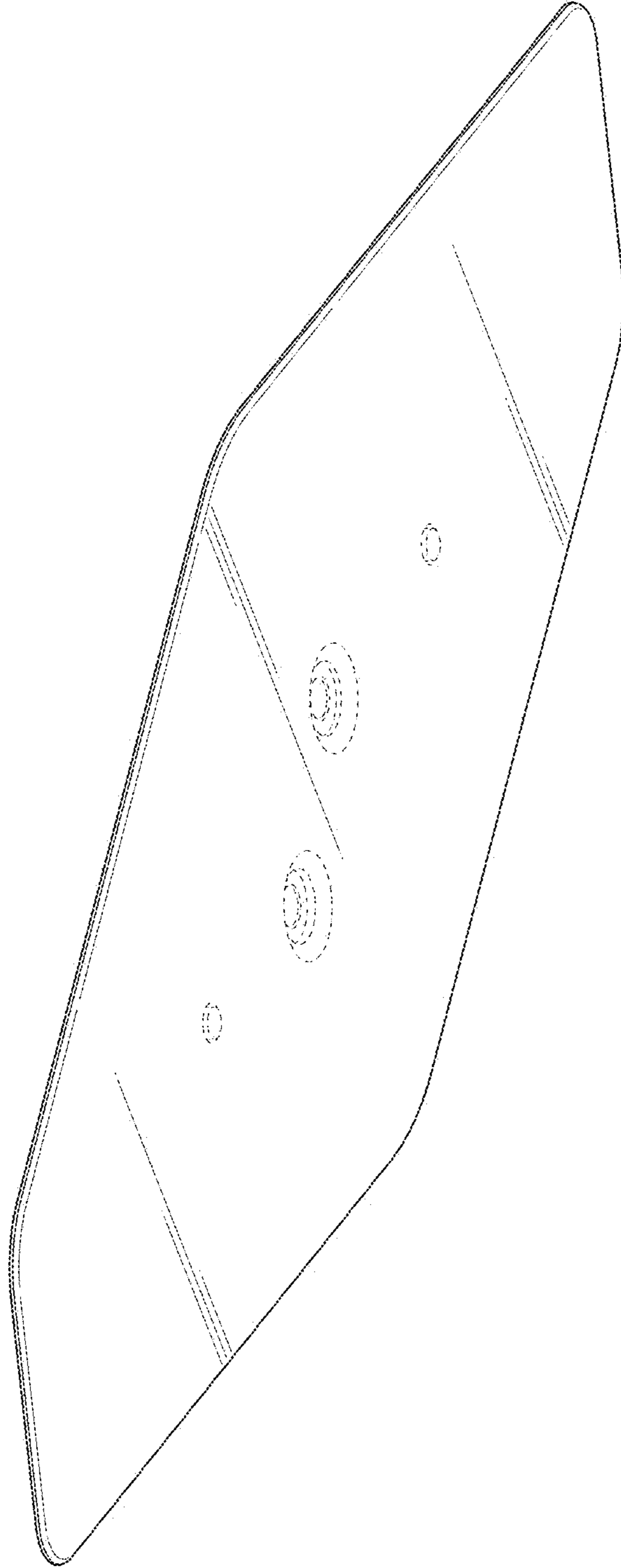


FIG. 2

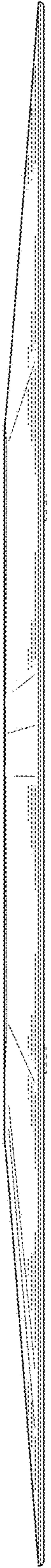


FIG. 3

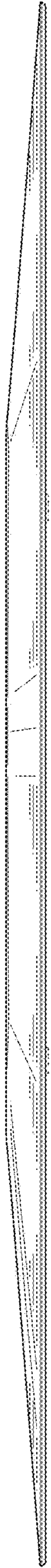


FIG. 4



FIG. 5

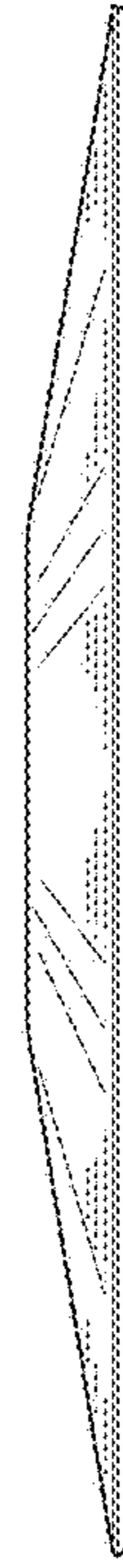


FIG. 6

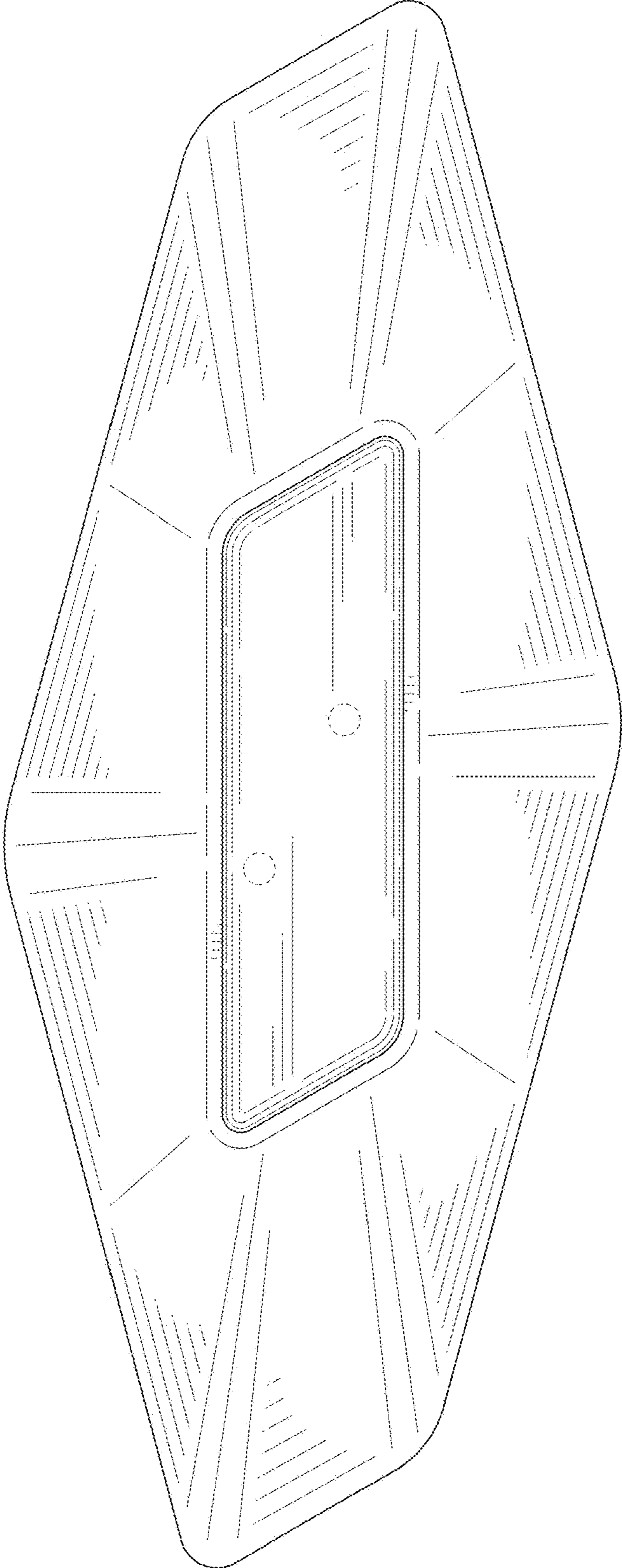


FIG. 7

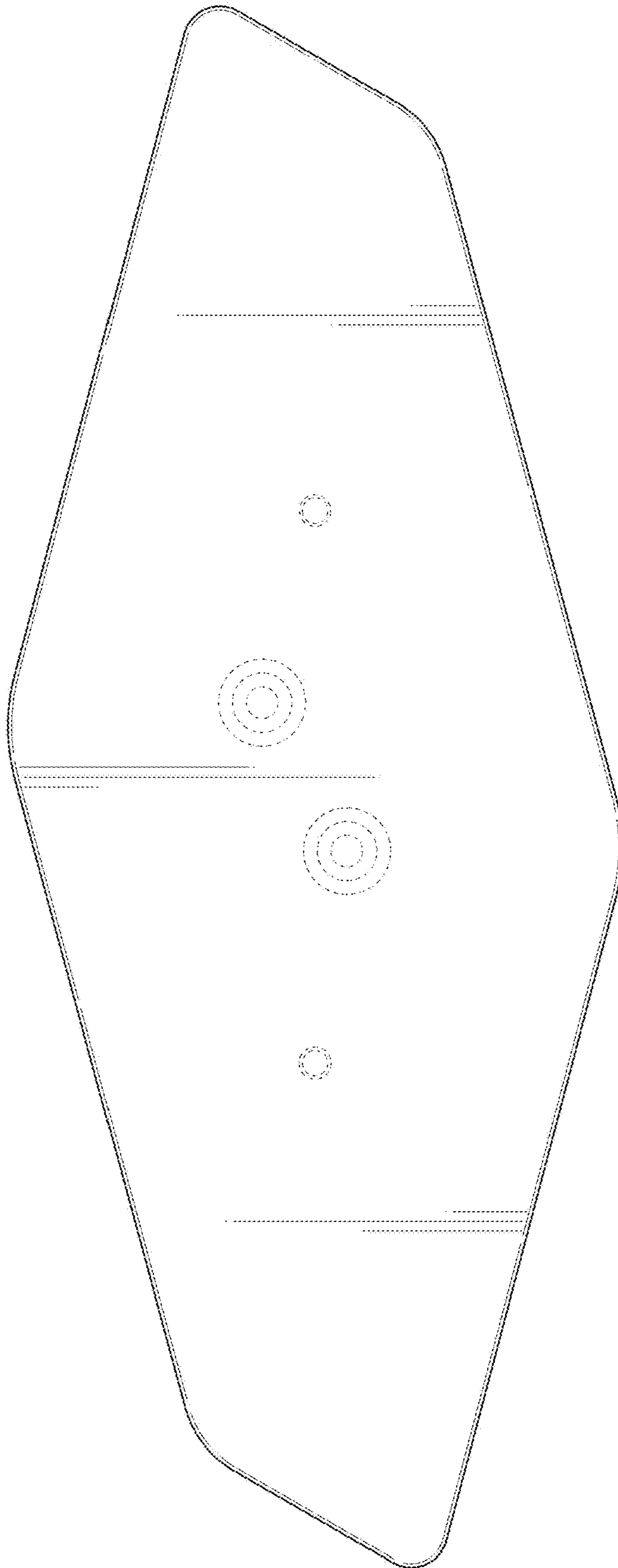


FIG. 8

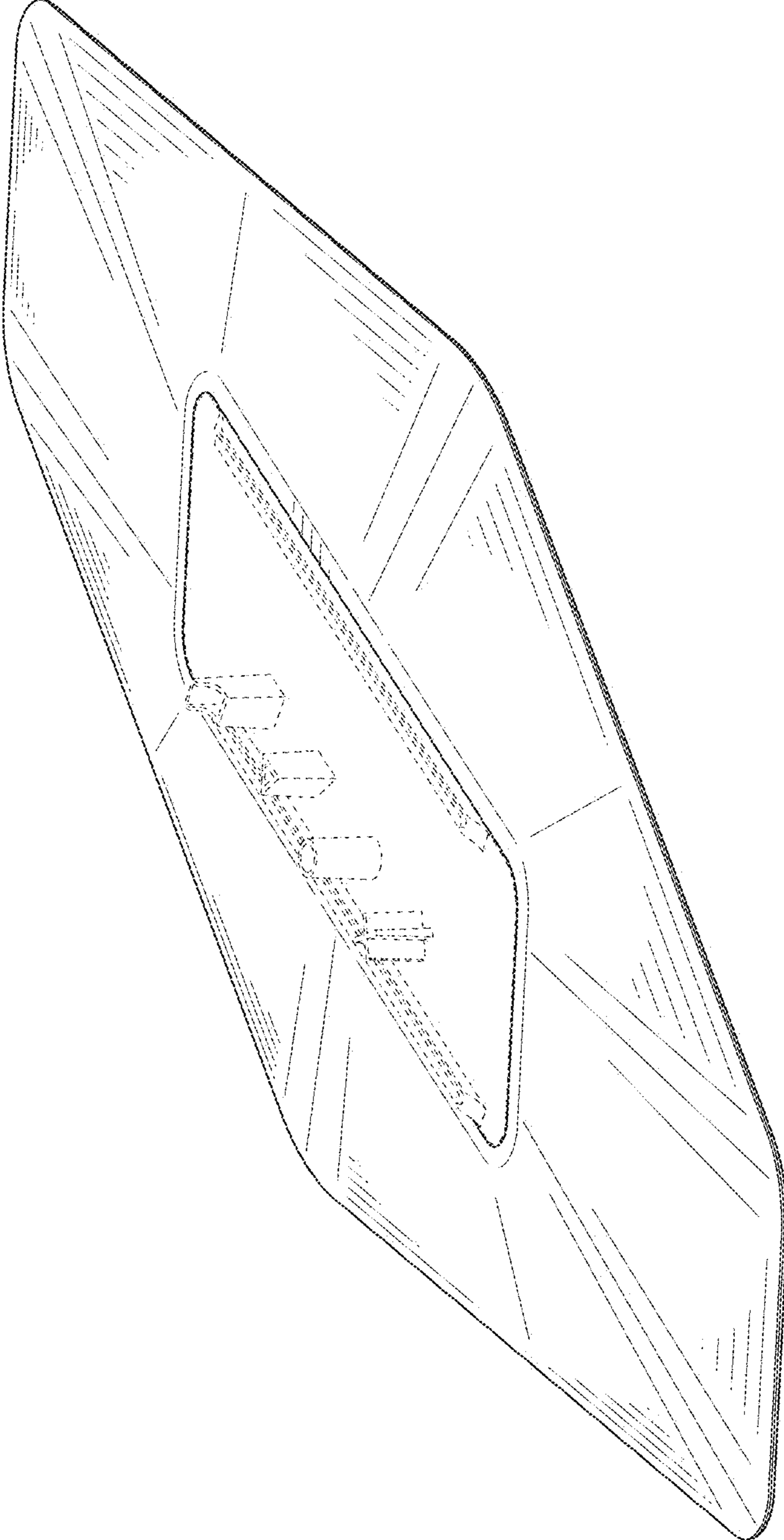


FIG. 9

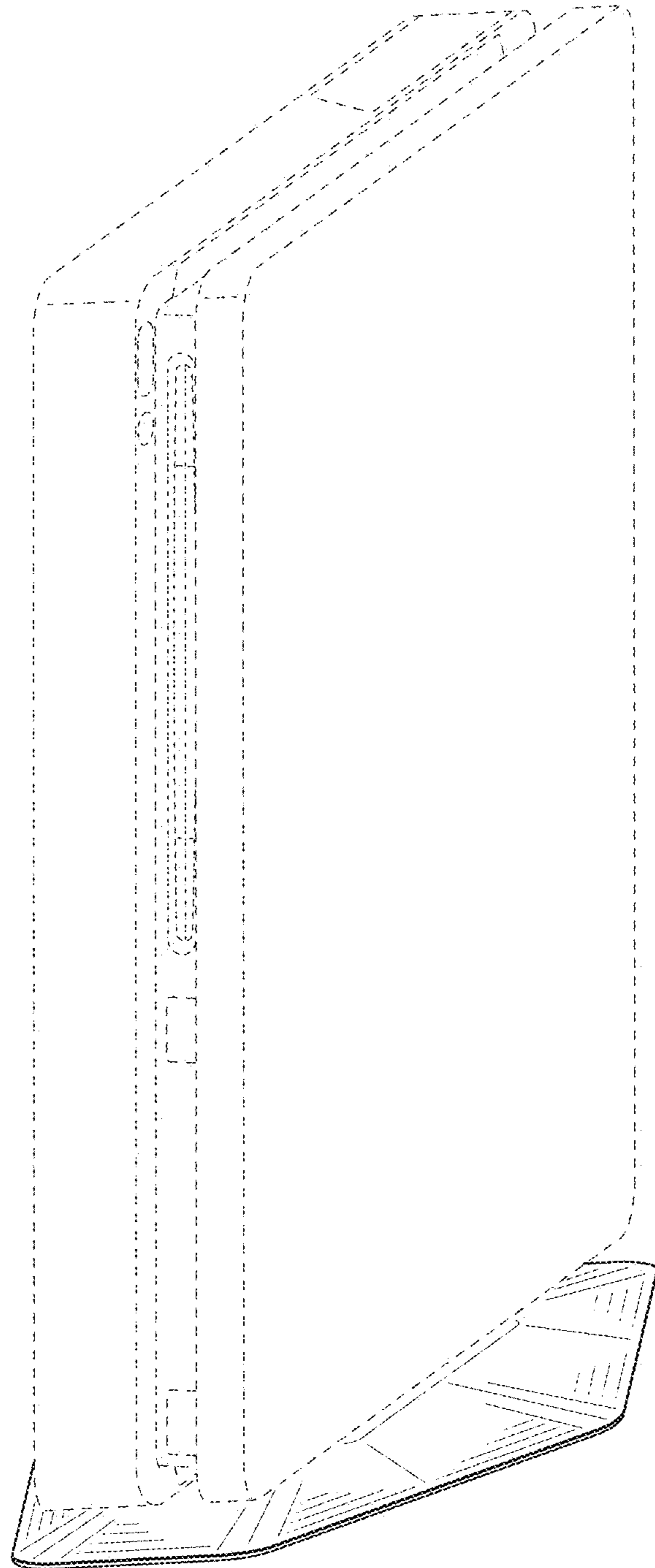


FIG. 10