



US00D837219S

(12) **United States Design Patent**
Gao

(10) **Patent No.:** **US D837,219 S**
(45) **Date of Patent:** **** Jan. 1, 2019**

(54) **PROTECTIVE COVER FOR TABLET COMPUTER**

(71) Applicant: **Bo Gao**, Hefei (CN)

(72) Inventor: **Bo Gao**, Hefei (CN)

(**) Term: **15 Years**

(21) Appl. No.: **29/642,534**

(22) Filed: **Mar. 30, 2018**

(51) **LOC (11) Cl.** **14-02**

(52) **U.S. Cl.**
USPC **D14/440**

(58) **Field of Classification Search**
USPC D14/440; 206/45.23, 320, 45.2;
361/679.55; 294/25; 224/218
CPC G06F 1/626; H04B 1/3555; H05K 5/0217
See application file for complete search history.

(56) **References Cited**

U.S. PATENT DOCUMENTS

D733,154 S *	6/2015	Armstrong	D14/440
D763,853 S *	8/2016	Pearce	D14/440
D790,550 S *	6/2017	Chen	D14/440
D803,221 S *	11/2017	Guo	D14/440
D806,080 S *	12/2017	Chen	D14/440
D807,369 S *	1/2018	Chen	D14/440
D808,973 S *	1/2018	Chen	D14/440
D811,412 S *	2/2018	McCurdy	D14/440

D812,620 S *	3/2018	Cheng	D14/440
D824,392 S *	7/2018	Charlesworth	D14/440
D824,393 S *	7/2018	Charlesworth	D14/440
D824,394 S *	7/2018	Charlesworth	D14/440
D824,395 S *	7/2018	Charlesworth	D14/440
D824,396 S *	7/2018	Charlesworth	D14/440
D824,397 S *	7/2018	Charlesworth	D14/440
D830,368 S *	10/2018	Zhang	D14/440
2012/0075799 A1 *	3/2012	Pollex	F16M 11/041 361/679.56

* cited by examiner

Primary Examiner — Cynthia R Underwood

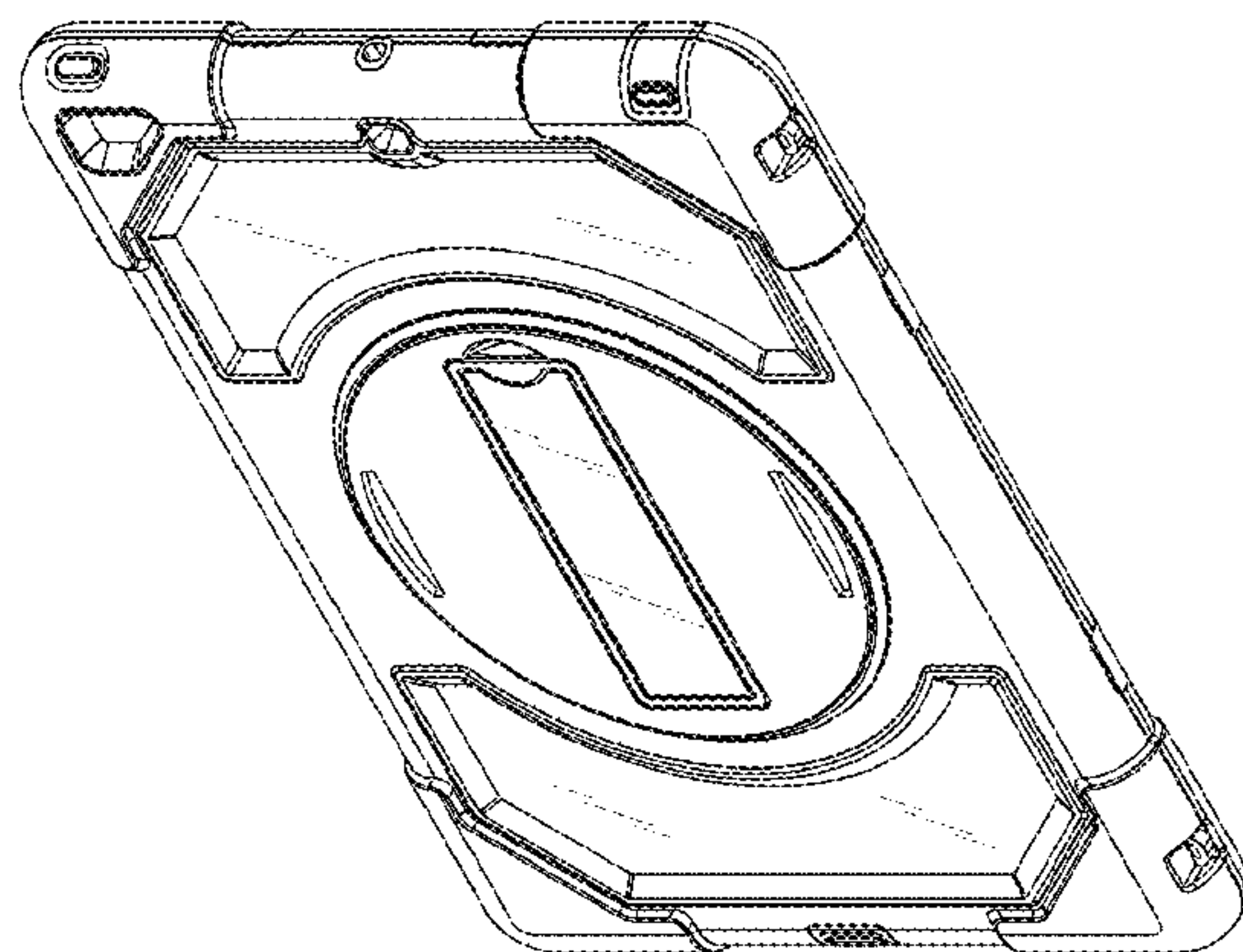
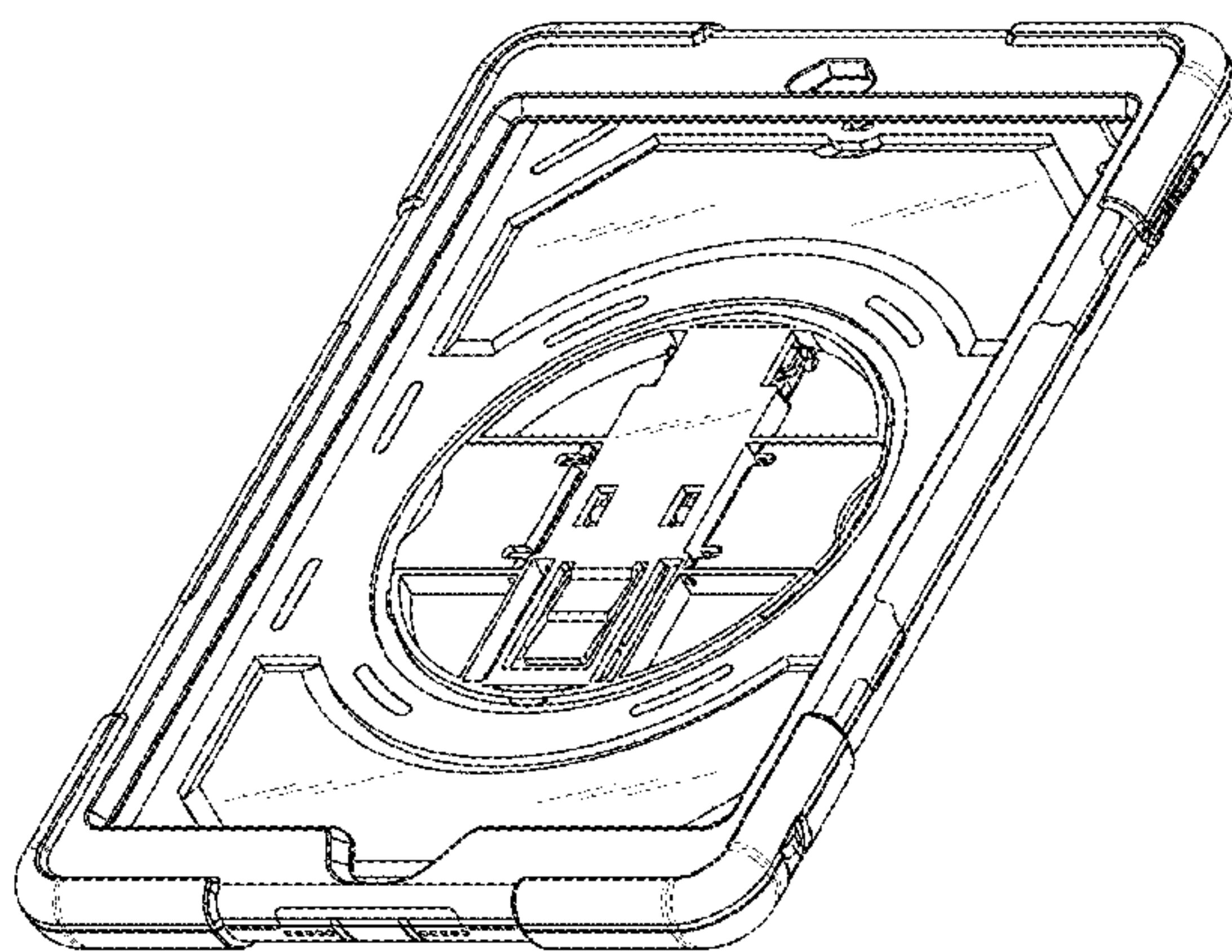
(57) **CLAIM**

The ornamental design for a protective cover for tablet computer, as shown and described.

DESCRIPTION

FIG. 1 is a front elevational view of a protective cover for tablet computer showing my new design; FIG. 2 is a rear elevational view thereof; FIG. 3 is a left side elevational view thereof; FIG. 4 is a right side elevational view thereof; FIG. 5 is a top plan view thereof; FIG. 6 is a bottom plan view thereof; FIG. 7 is a front perspective view thereof; and, FIG. 8 is a rear perspective view thereof.

1 Claim, 7 Drawing Sheets



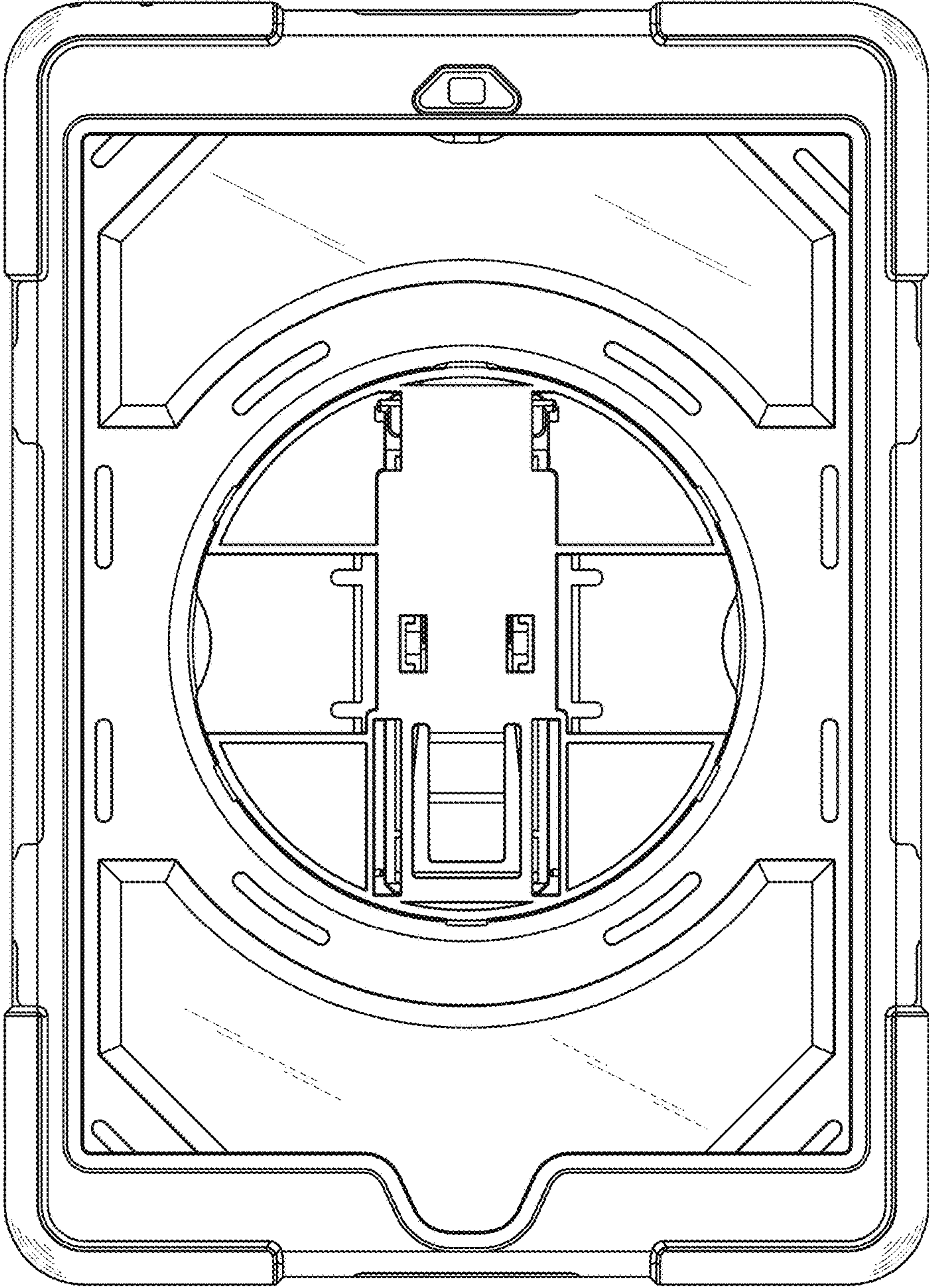


FIG.1

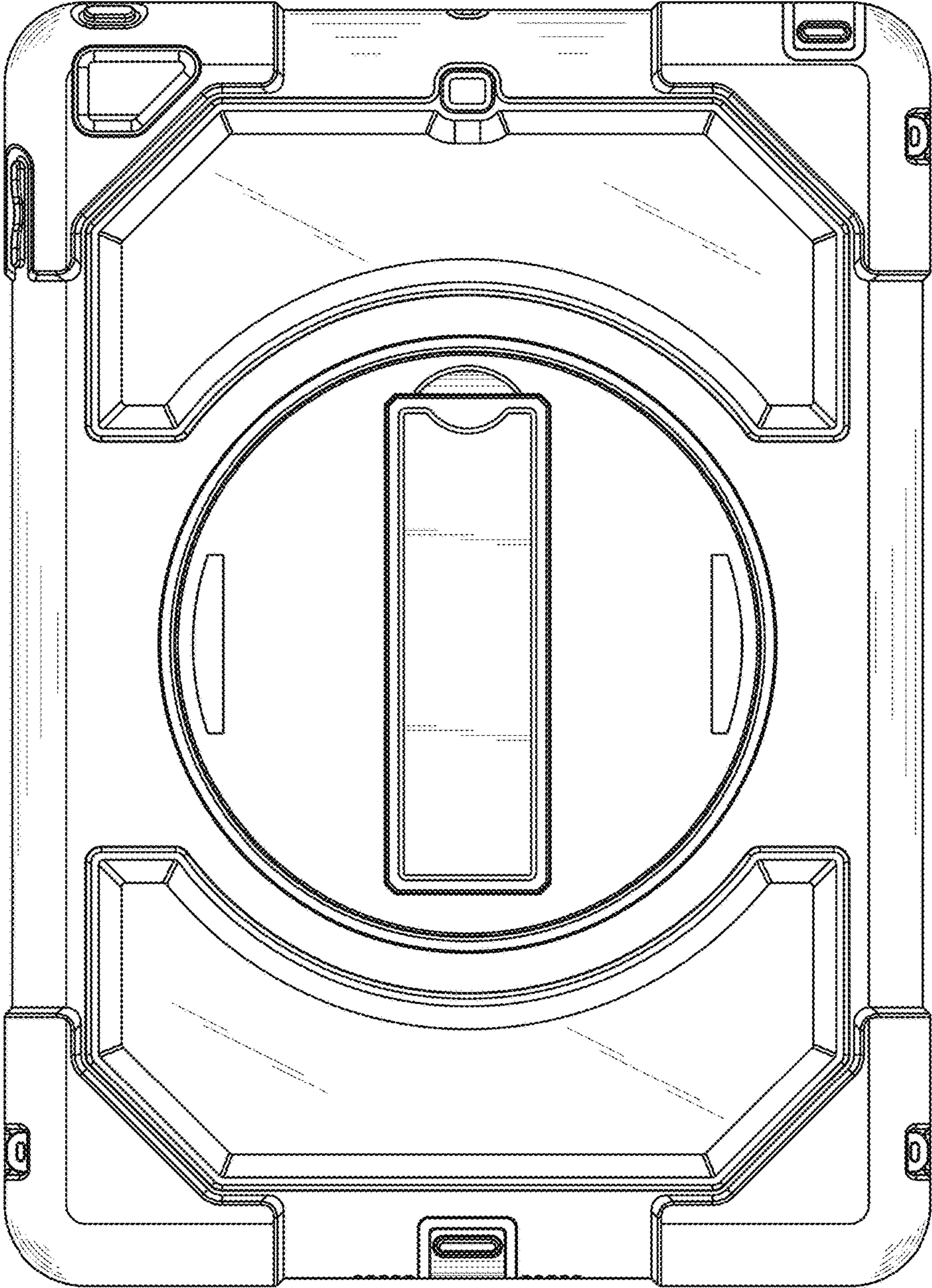


FIG.2

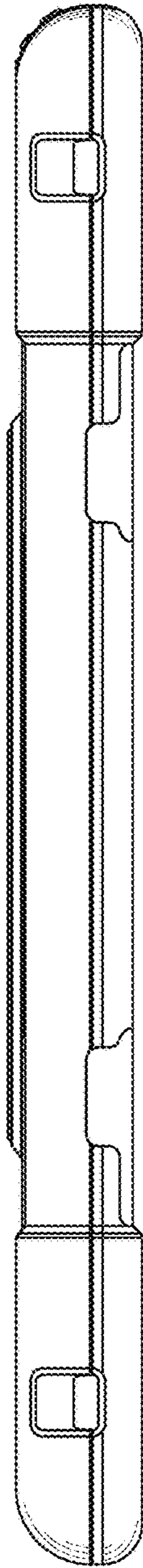


FIG.3

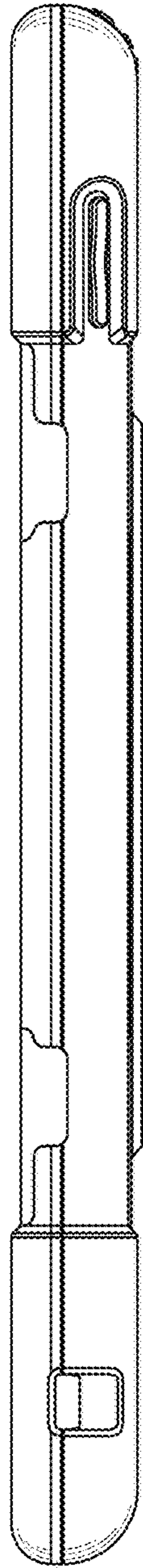


FIG.4

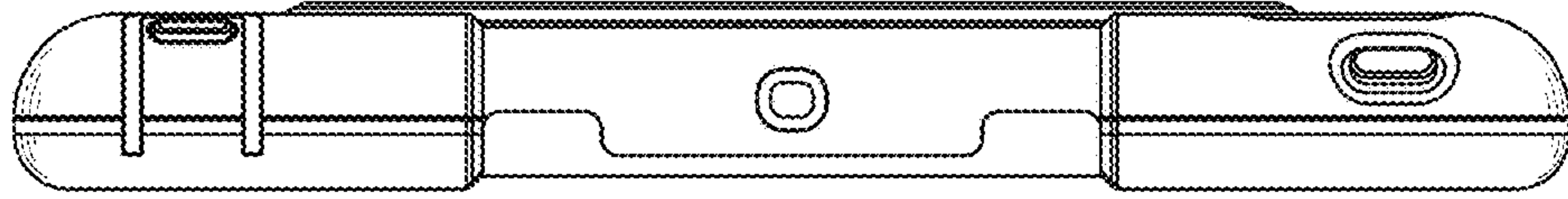


FIG. 5

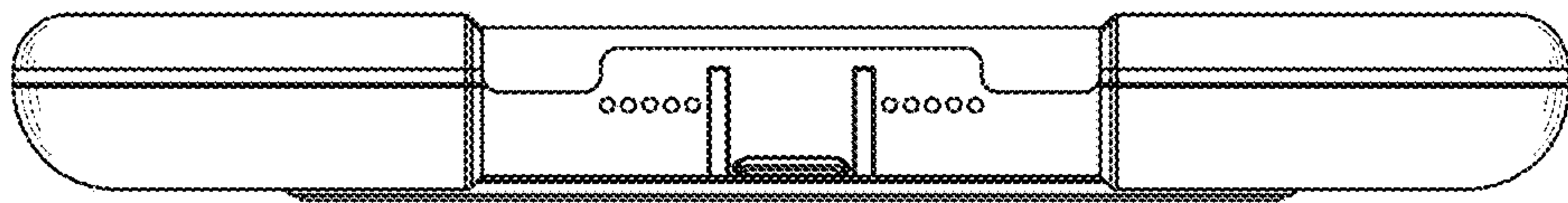


FIG. 6

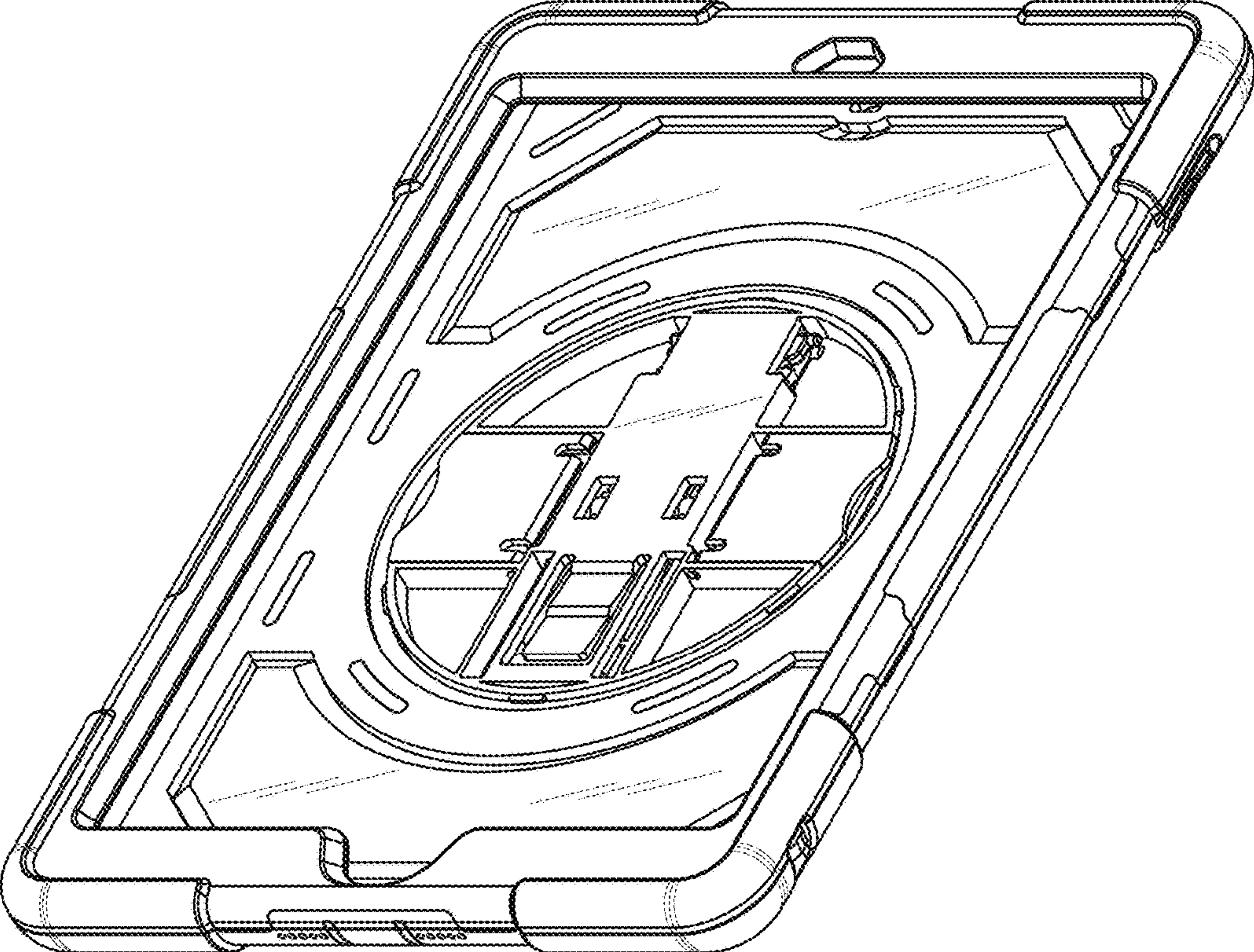


FIG.7

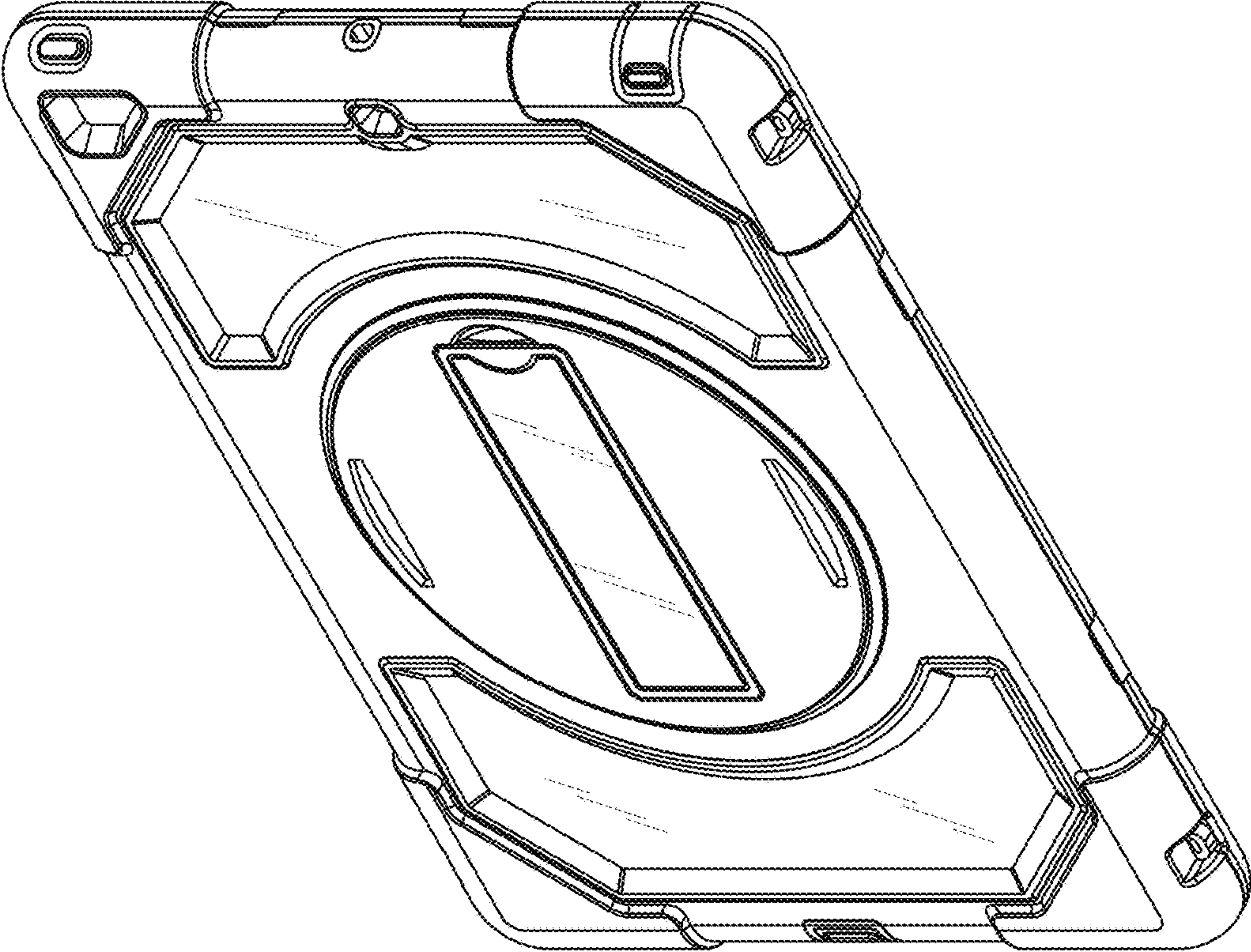


FIG.8