



US00D837218S

(12) **United States Design Patent**
Ham et al.

(10) **Patent No.:** **US D837,218 S**

(45) **Date of Patent:** **** Jan. 1, 2019**

(54) **TABLET COVER WITH KEYBOARD**

FOREIGN PATENT DOCUMENTS

(71) Applicant: **Samsung Electronics Co., Ltd.**,
Suwon-si (KR)

KR 30-0772847 11/2014
KR 30-0872202 9/2016
KR 30-0872209 9/2016

(72) Inventors: **Sun Woong Ham**, Seoul (KR);
Mingeun Kim, Seoul (KR); **Minah Koh**, Seoul (KR)

Primary Examiner — Cynthia R Underwood
(74) *Attorney, Agent, or Firm* — McAndrews Held & Malloy, Ltd.

(73) Assignee: **SAMSUNG ELECTRONICS CO., LTD.**, Suwon-si (KR)

(57) **CLAIM**

(**) Term: **15 Years**

The ornamental design for a tablet cover with keyboard, as shown and described.

(21) Appl. No.: **29/613,644**

(22) Filed: **Aug. 11, 2017**

DESCRIPTION

(30) **Foreign Application Priority Data**

Feb. 20, 2017 (KR) 30-2017-0009154

(51) **LOC (11) Cl.** **14-02**

(52) **U.S. Cl.**
USPC **D14/440**

(58) **Field of Classification Search**
USPC D14/440; 206/45.23, 320, 45.2;
361/679.55; 294/25; 224/218
CPC ... G06F 1/1628; G06F 1/1626; A47B 23/044;
H04B 1/3888; H05K 5/0217
See application file for complete search history.

FIG. 1 is a bottom front perspective view of a tablet cover with keyboard showing our new design;
FIG. 2 is a front elevation view thereof;
FIG. 3 is a rear elevation view thereof;
FIG. 4 is a left side elevation view thereof;
FIG. 5 is a right side elevation view thereof;
FIG. 6 is a top plan view thereof;
FIG. 7 is a bottom plan view thereof;
FIG. 8 is a rear perspective view thereof;
FIG. 9 is an enlarged left side cross-sectional view of the tablet cover with keyboard taken along the line 9-9 in FIG. 2, showing only the claimed portions of our new design and partial cross section;
FIG. 10 is an enlarged bottom front perspective view thereof, showing only the claimed portions of our new design; and,
FIG. 11 is an enlarged top front perspective view thereof, showing only the claimed portions of our new design and partial cross section.

(56) **References Cited**

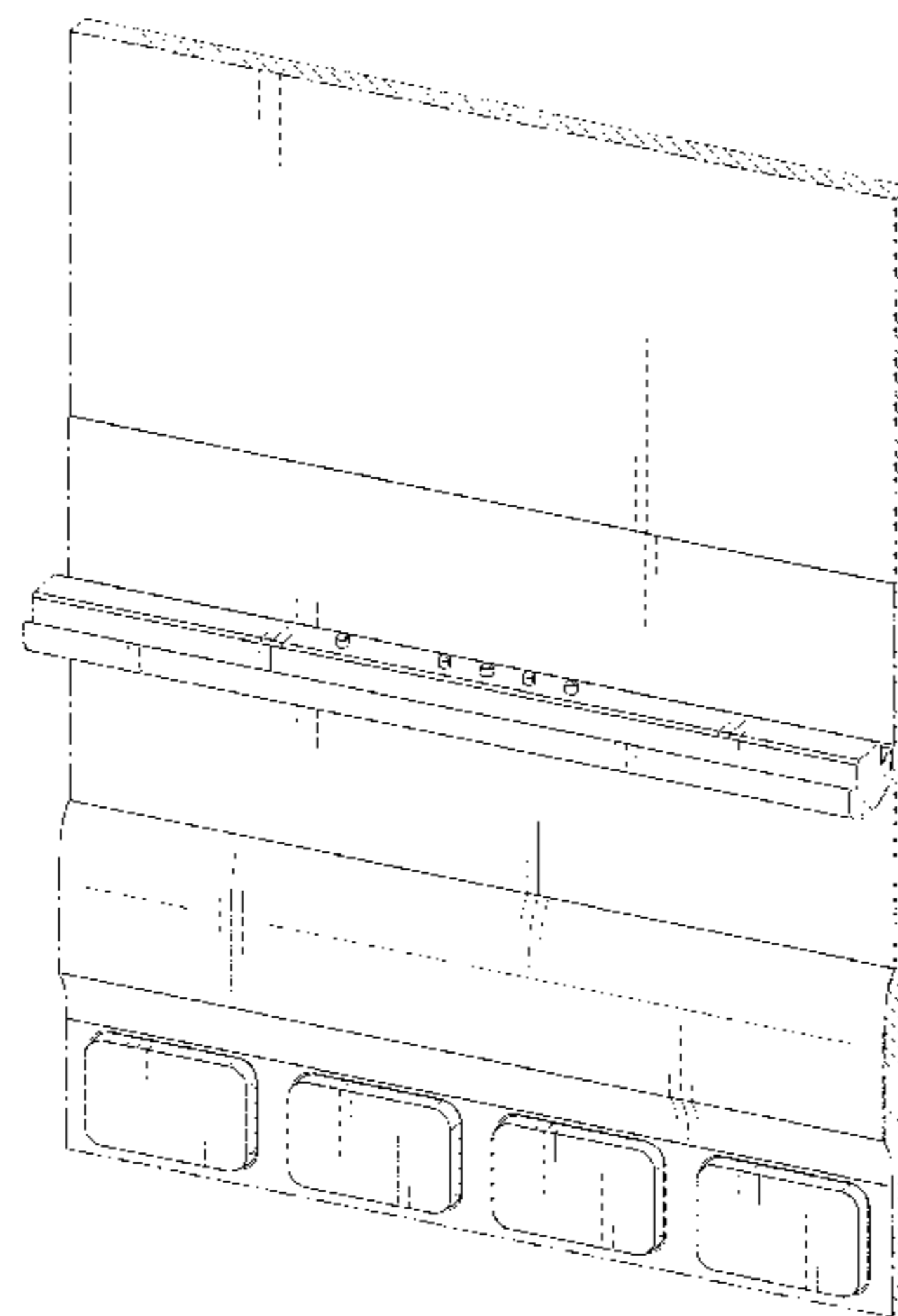
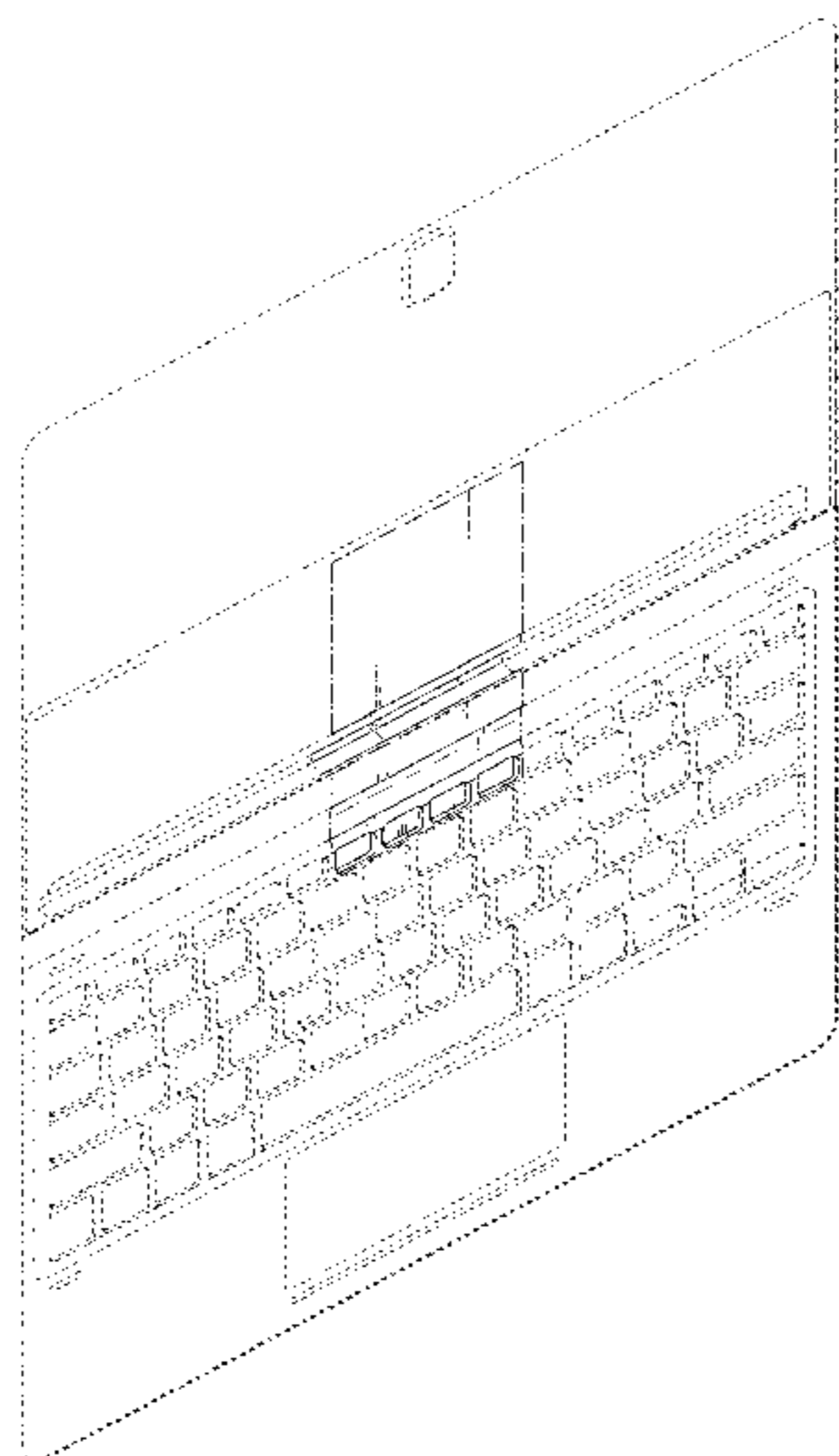
U.S. PATENT DOCUMENTS

D467,429 S * 12/2002 Bone D3/294
D581,726 S * 12/2008 Shamoon D7/387
D657,773 S * 4/2012 Corsini D14/151
D735,174 S * 7/2015 Wengreen D14/238
D789,934 S * 6/2017 Akana D14/392
D807,365 S * 1/2018 Liu D14/440
D822,664 S * 7/2018 Akana D14/440
2015/0296060 A1 * 10/2015 Gu H04M 1/0235
455/575.4

The dashed broken lines in the drawings illustrate portions of the tablet cover with keyboard and environment that form no part of the claimed design. The dot-dash broken lines in the drawings represent a boundary line that forms no part of the claimed design.

(Continued)

1 Claim, 10 Drawing Sheets



(56)

References Cited

U.S. PATENT DOCUMENTS

2015/0296068 A1* 10/2015 Chin G06F 1/1628
455/575.8

* cited by examiner

FIG. 1

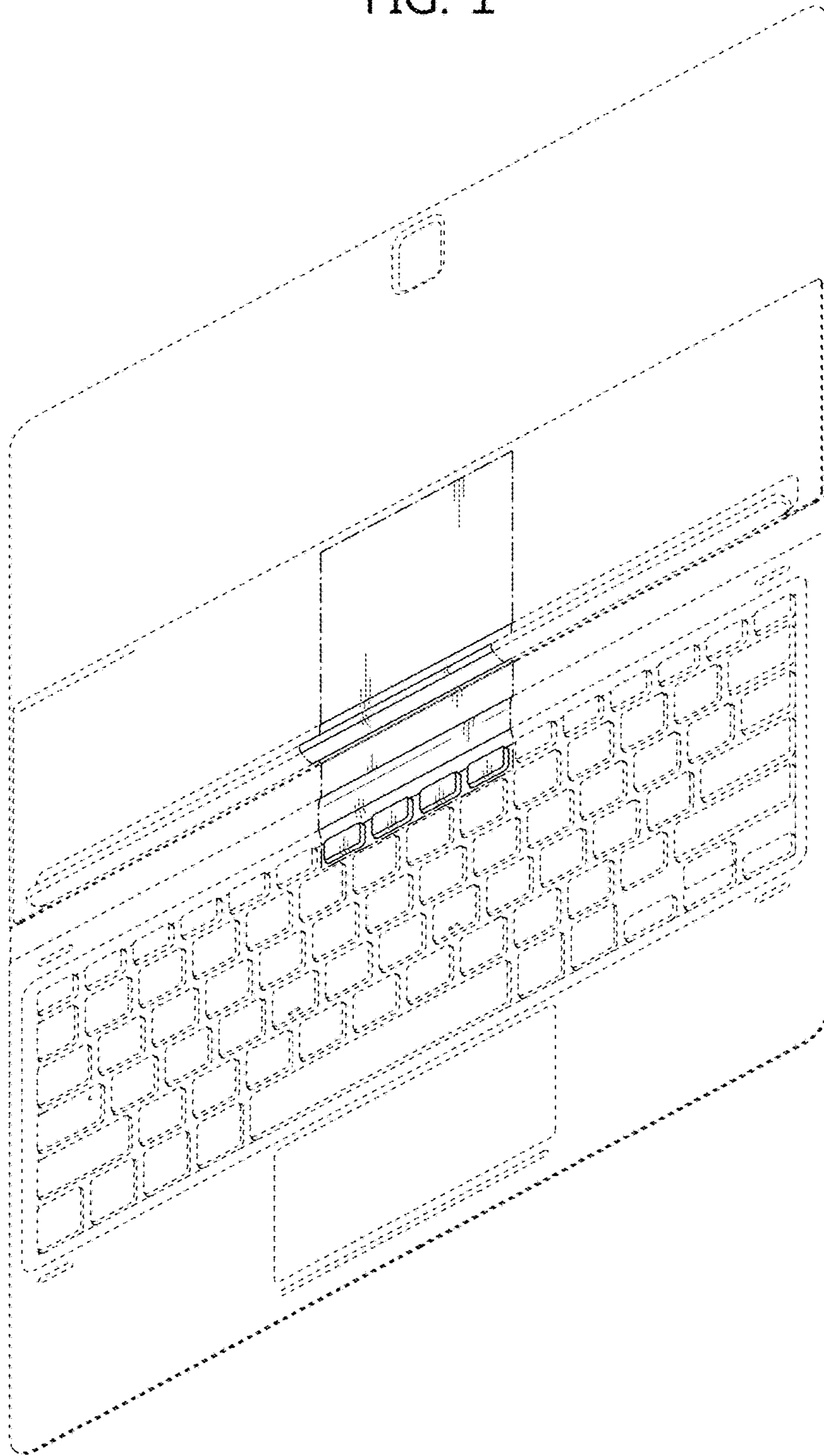
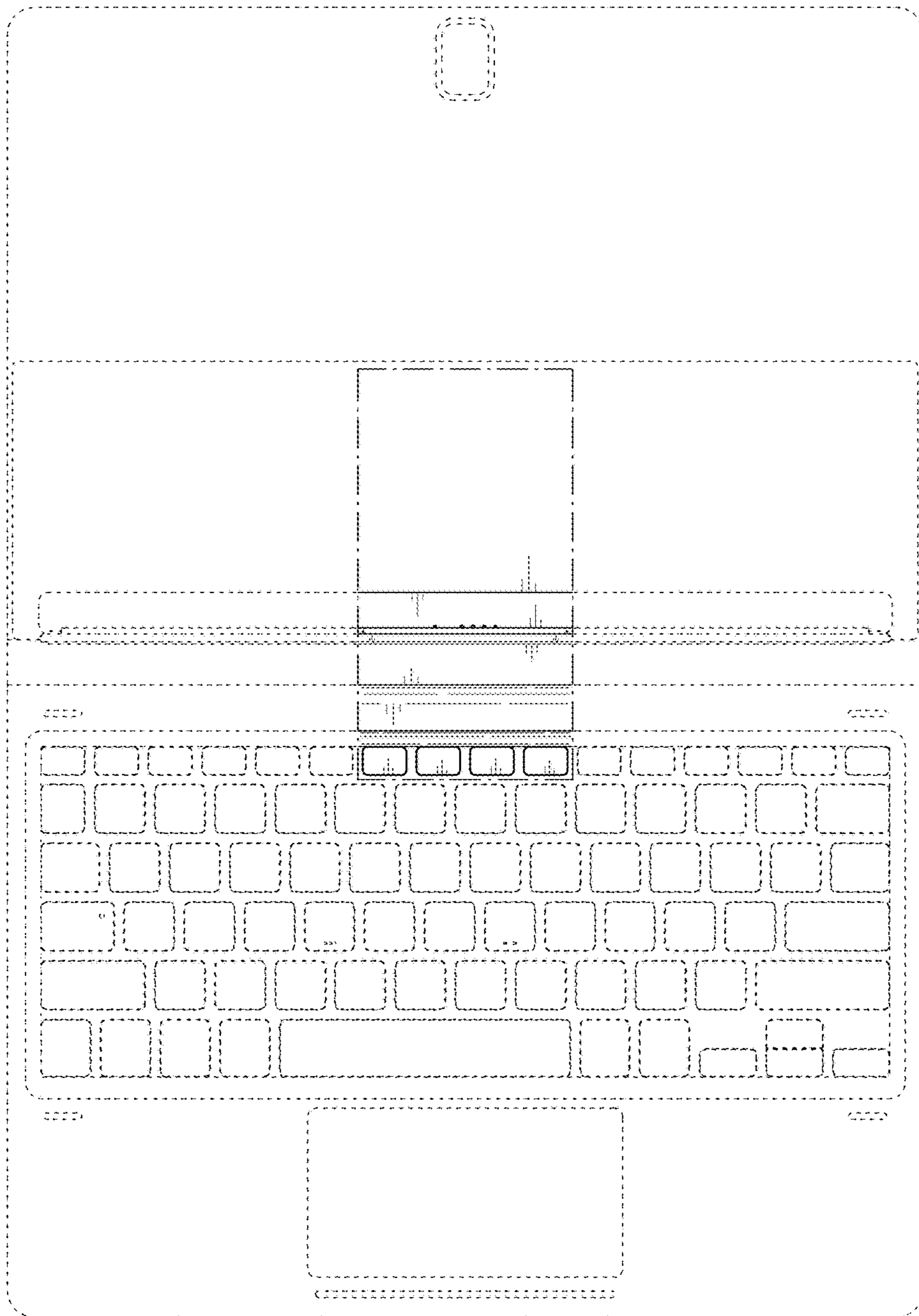


FIG. 2

9 →



9 →

FIG. 3

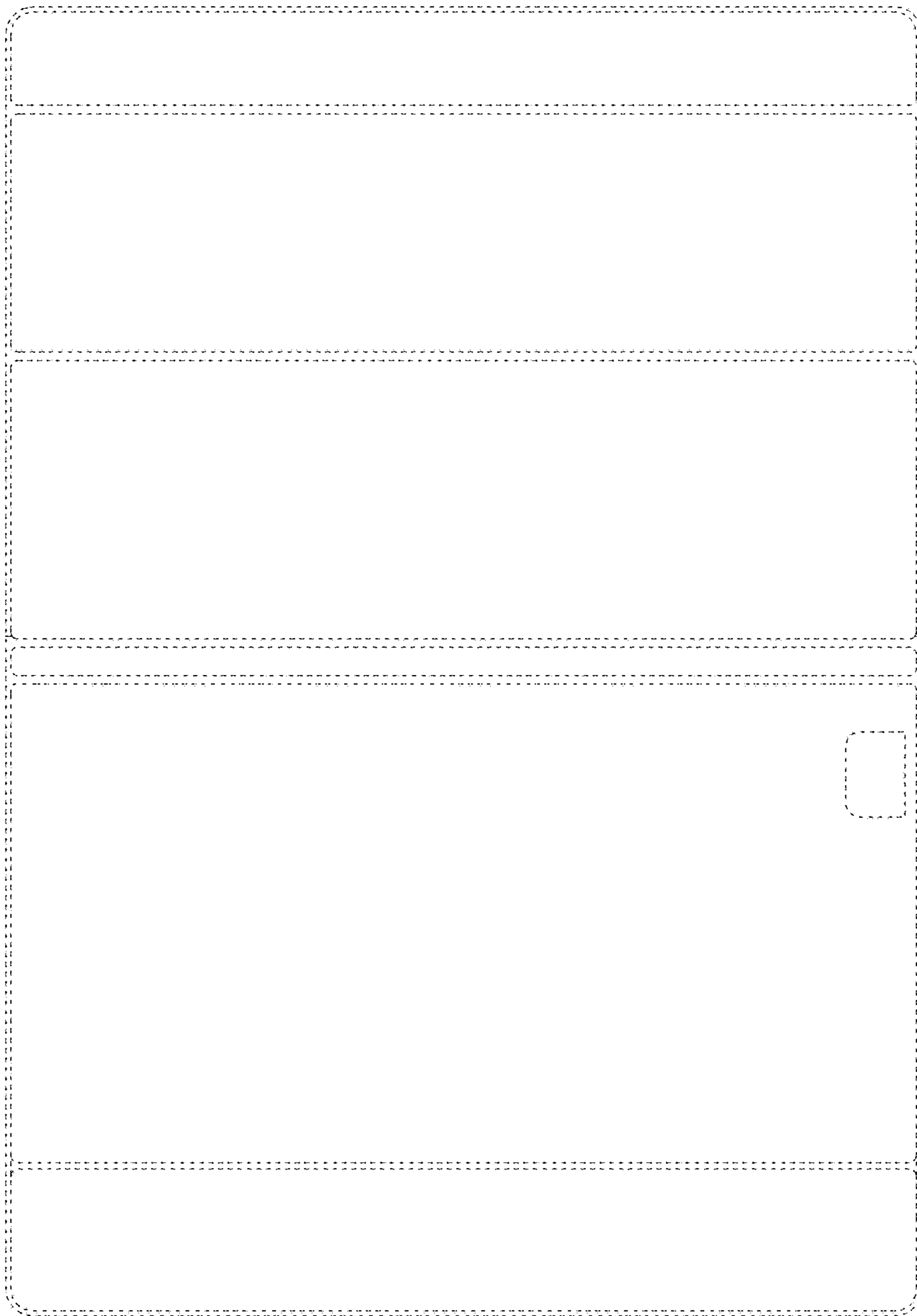


FIG. 4



FIG. 5

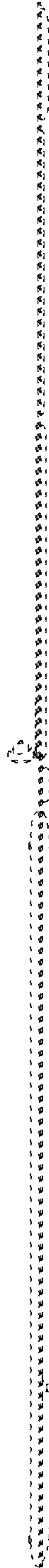


FIG. 6



FIG. 7

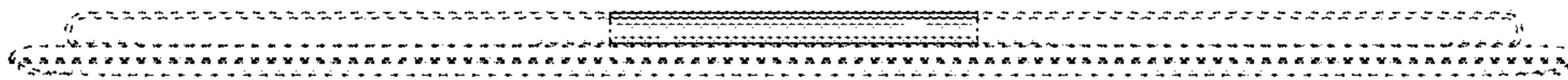


FIG. 8

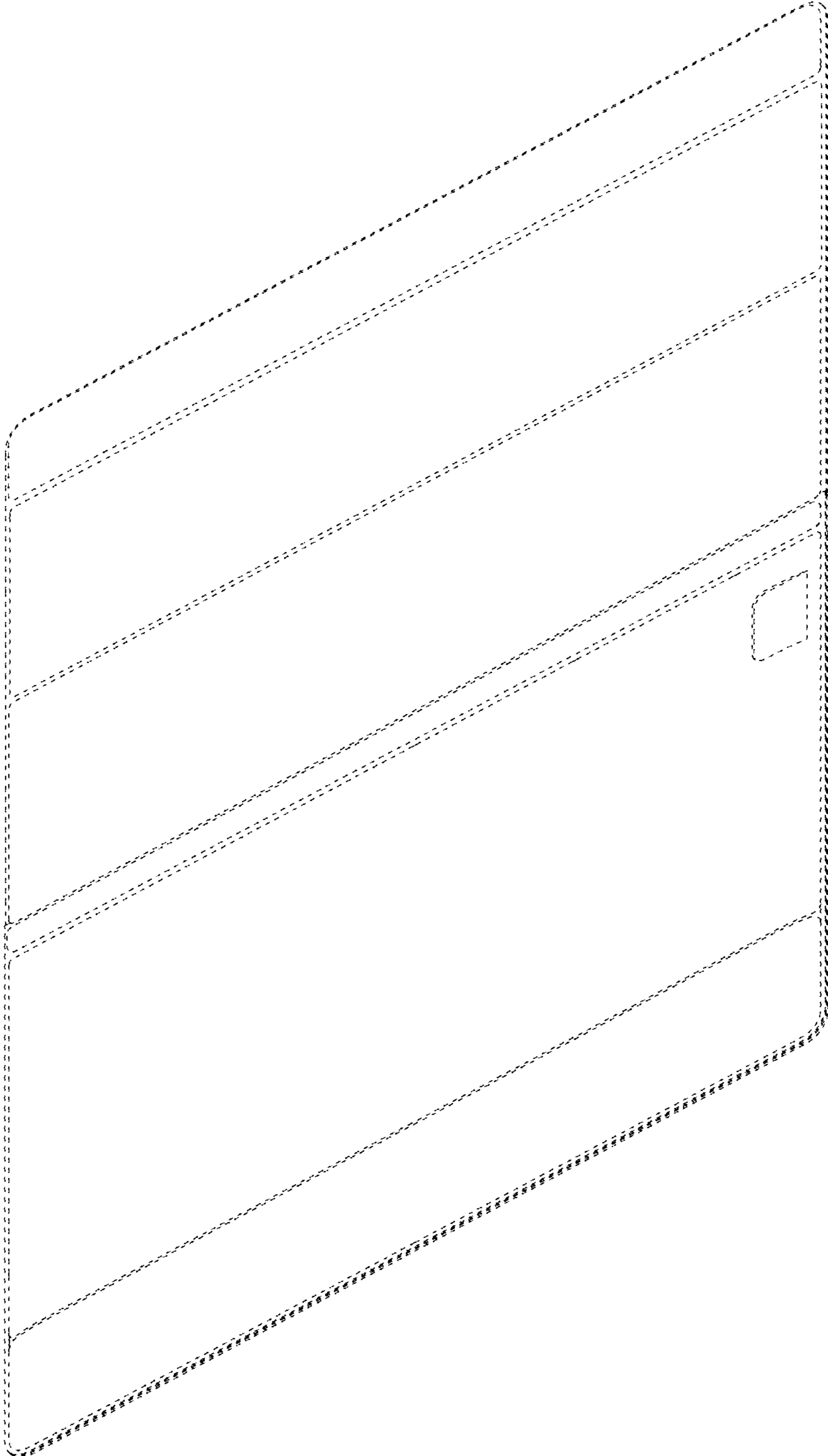


FIG. 9

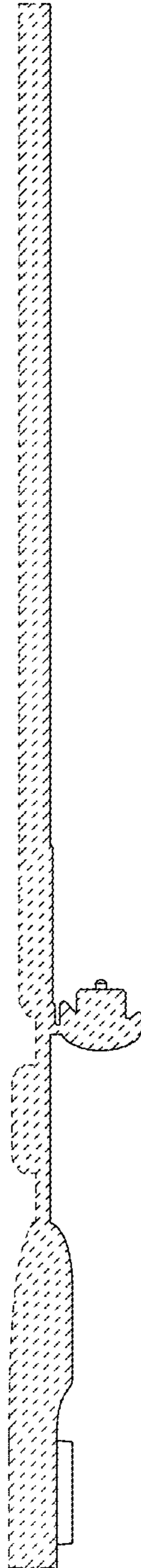


FIG. 10

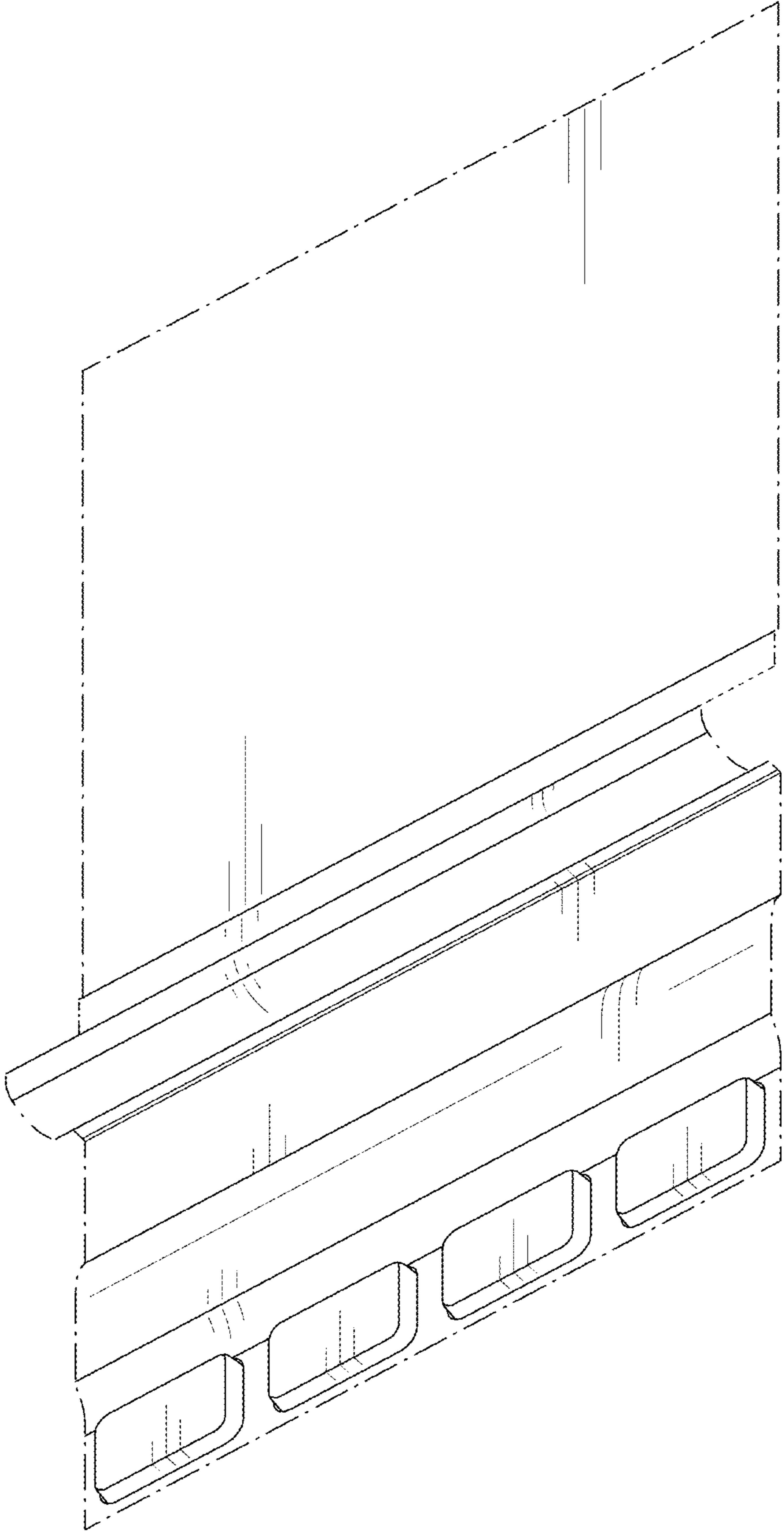


FIG. 11

