



US00D837217S

(12) **United States Design Patent** (10) **Patent No.:** **US D837,217 S**
Kang et al. (45) **Date of Patent:** **** Jan. 1, 2019**

(54) **COVER FOR ELECTRONIC DEVICE**

(71) Applicant: **Samsung Electronics Co., Ltd.**,
Suwon-si (KR)

(72) Inventors: **Nam-Hyun Kang**, Seoul (KR); **Han Kim**, Namyangju-si (KR)

(73) Assignee: **Samsung Electronics Co., Ltd.**,
Suwon-si (KR)

(**) Term: **15 Years**

(21) Appl. No.: **29/613,284**

(22) Filed: **Aug. 9, 2017**

(30) **Foreign Application Priority Data**

Apr. 17, 2017 (KR) 30-2017-0017602

(51) **LOC (11) Cl.** **14-02**

(52) **U.S. Cl.**
USPC **D14/440**

(58) **Field of Classification Search**
USPC D14/440; 206/45.23, 320, 45.2;
361/679.55; 294/25; 224/218
CPC ... G06F 1/1628; G06F 1/1626; A47B 23/044;
H04B 1/3888; H05K 5/0217
See application file for complete search history.

(56) **References Cited**

U.S. PATENT DOCUMENTS

D635,555 S *	4/2011	Giles	D14/217
D641,756 S *	7/2011	Hsieh	D14/440
D651,606 S *	1/2012	Luijben	D14/250
D658,187 S	4/2012	Diebel		
D661,646 S *	6/2012	Son	D13/108

(Continued)

FOREIGN PATENT DOCUMENTS

KR 30-2014-0016144 12/2014

Primary Examiner — Cynthia R Underwood
(74) *Attorney, Agent, or Firm* — NSIP Law

(57) **CLAIM**

We claim the ornamental design for a cover for electronic device, as shown and described.

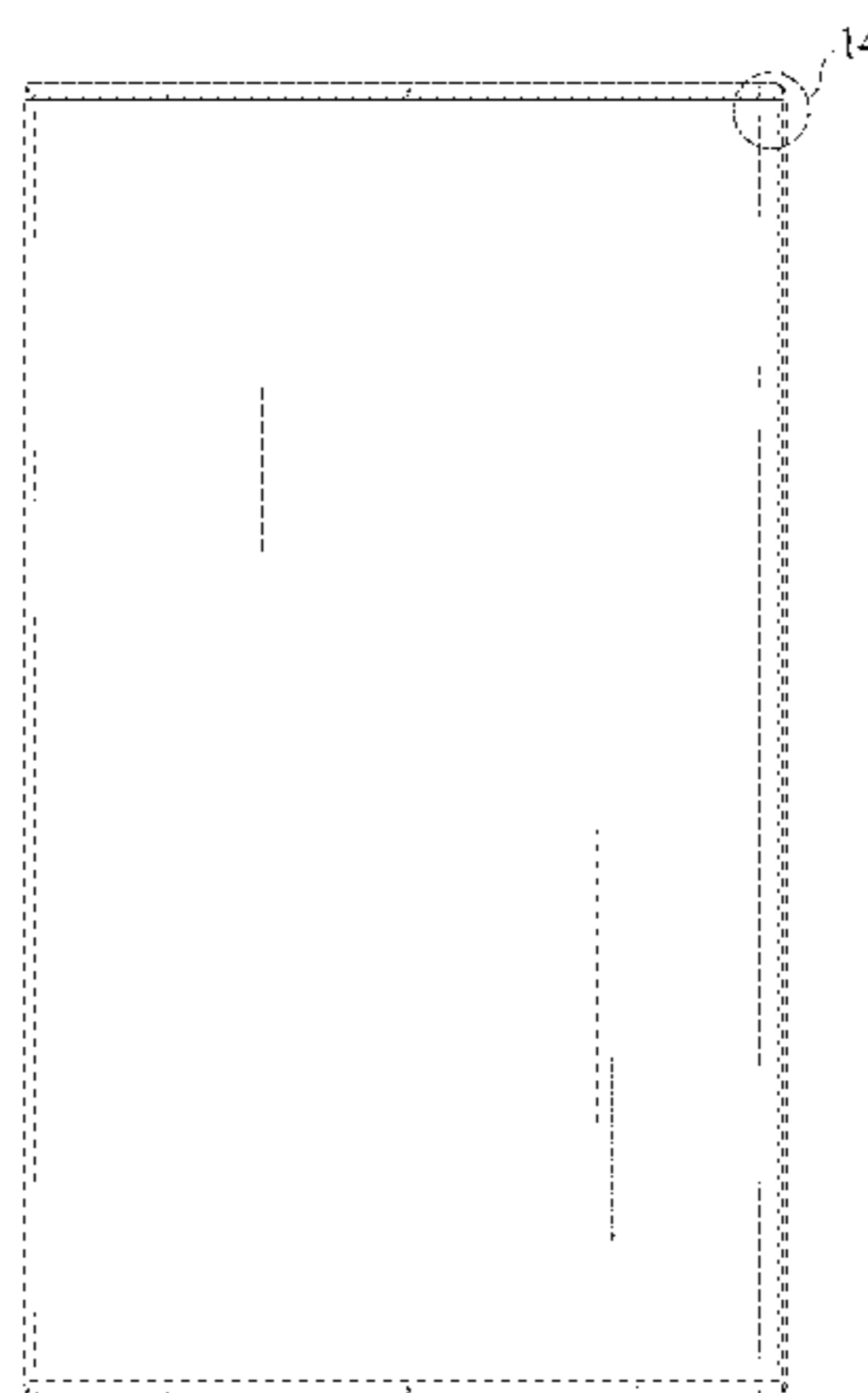
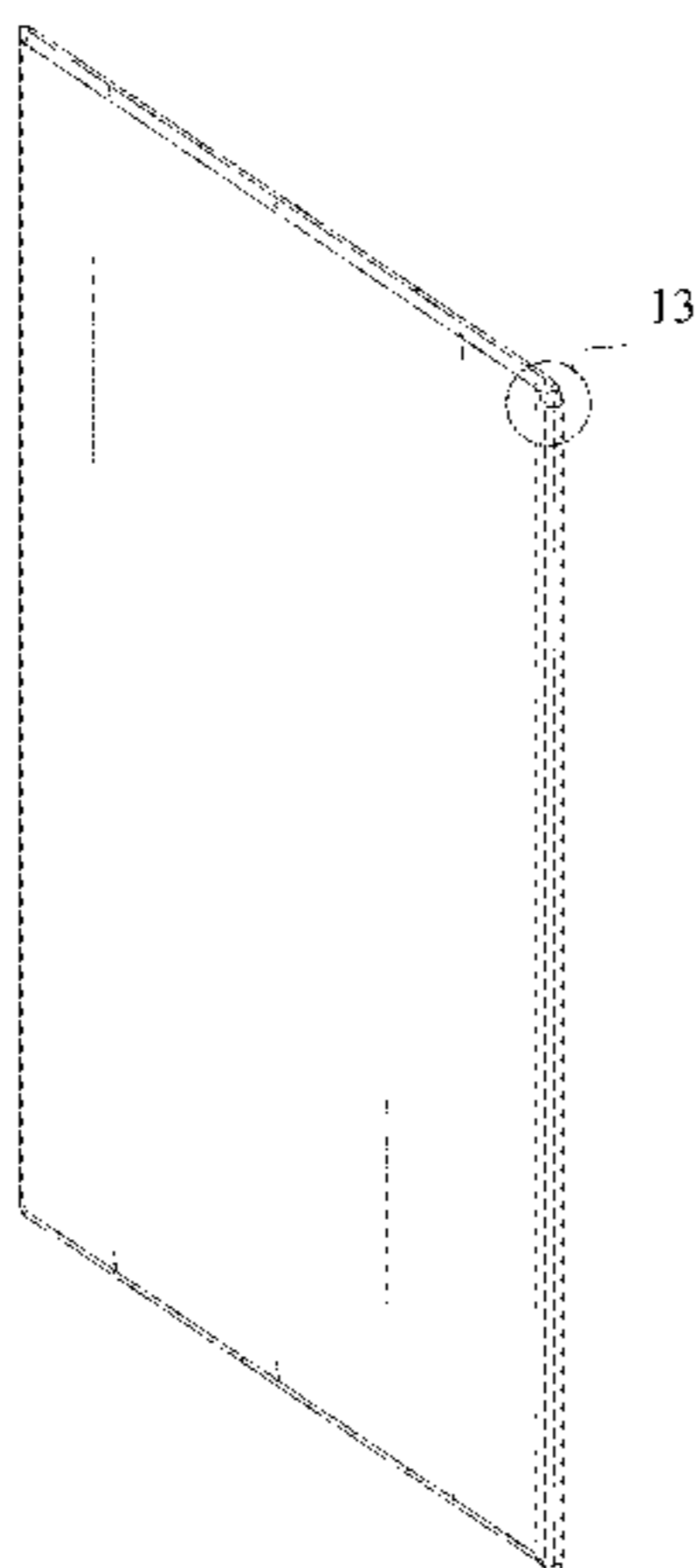
DESCRIPTION

FIG. 1 is a front perspective view of a cover for electronic device showing our new design;
 FIG. 2 is a front elevational view thereof;
 FIG. 3 is a rear elevational view thereof;
 FIG. 4 is a left-side elevational view thereof;
 FIG. 5 is a right-side elevational view thereof;
 FIG. 6 is a top plan view thereof;
 FIG. 7 is a bottom plan view thereof;
 FIG. 8 is a rear perspective view thereof;
 FIG. 9 is another perspective view of the cover for an electronic device in which an electronic device is shown in broken lines to illustrate an example environment;
 FIG. 10 is a bottom view thereof shown in an alternate configuration;
 FIG. 11 is another bottom view thereof shown in an alternate configuration;
 FIG. 12 is another bottom view thereof shown in an alternate configuration;
 FIG. 13 is an enlarged view of the encircled portion in FIG. 1;
 FIG. 14 is an enlarged view of the encircled portion in FIG. 3;
 FIG. 15 is an enlarged view of the encircled portion in FIG. 4; and,
 FIG. 16 is an enlarged view of the encircled portion in FIG. 5.

The evenly dashed broken lines in the figures depict environmental subject matter and form no part of the claimed design.

The dot-dash broken lines encircling portions of the claimed design that are illustrated in enlargements form no part of the claimed design.

1 Claim, 16 Drawing Sheets



(56)

References Cited

U.S. PATENT DOCUMENTS

D668,660 S * 10/2012 Norfolk D14/440
D670,702 S * 11/2012 Zhang D14/440
D674,803 S * 1/2013 Westrup A45C 3/02
D14/440
D678,293 S * 3/2013 Meehan D14/440
D682,838 S * 5/2013 Akana et al.
D687,440 S * 8/2013 Shieh D14/447
D691,142 S * 10/2013 Diebel
D695,298 S * 12/2013 Han D14/440
D704,194 S * 5/2014 Young D14/440
D717,804 S * 11/2014 Budge D14/447
D718,316 S * 11/2014 Veltz D14/440
D719,144 S * 12/2014 Eulette D14/250
D725,119 S * 3/2015 Gaylord D14/440
D726,732 S * 4/2015 Lay D14/440
9,229,494 B2 * 1/2016 Rayner G06F 1/163
D748,634 S * 2/2016 Hofer D14/440
D757,731 S * 5/2016 Nguyen D14/440
D766,247 S * 9/2016 Burmester D14/440
D795,263 S * 8/2017 Fujioka D14/440
D795,880 S * 8/2017 Akana D14/440
D798,302 S * 9/2017 Burmester D14/440
9,847,806 B1 * 12/2017 Dickie H04B 1/3888
2003/0222149 A1 * 12/2003 Solomon G06F 1/1669
235/472.01
2012/0043247 A1 * 2/2012 Westrup A45C 3/02
206/472
2012/0193496 A1 * 8/2012 Li F16M 11/041
248/316.1
2015/0156900 A1 * 6/2015 Yeh H04B 1/3888
312/223.1
2016/0135560 A1 * 5/2016 Yeh H04M 1/185
224/581

* cited by examiner

FIG. 1

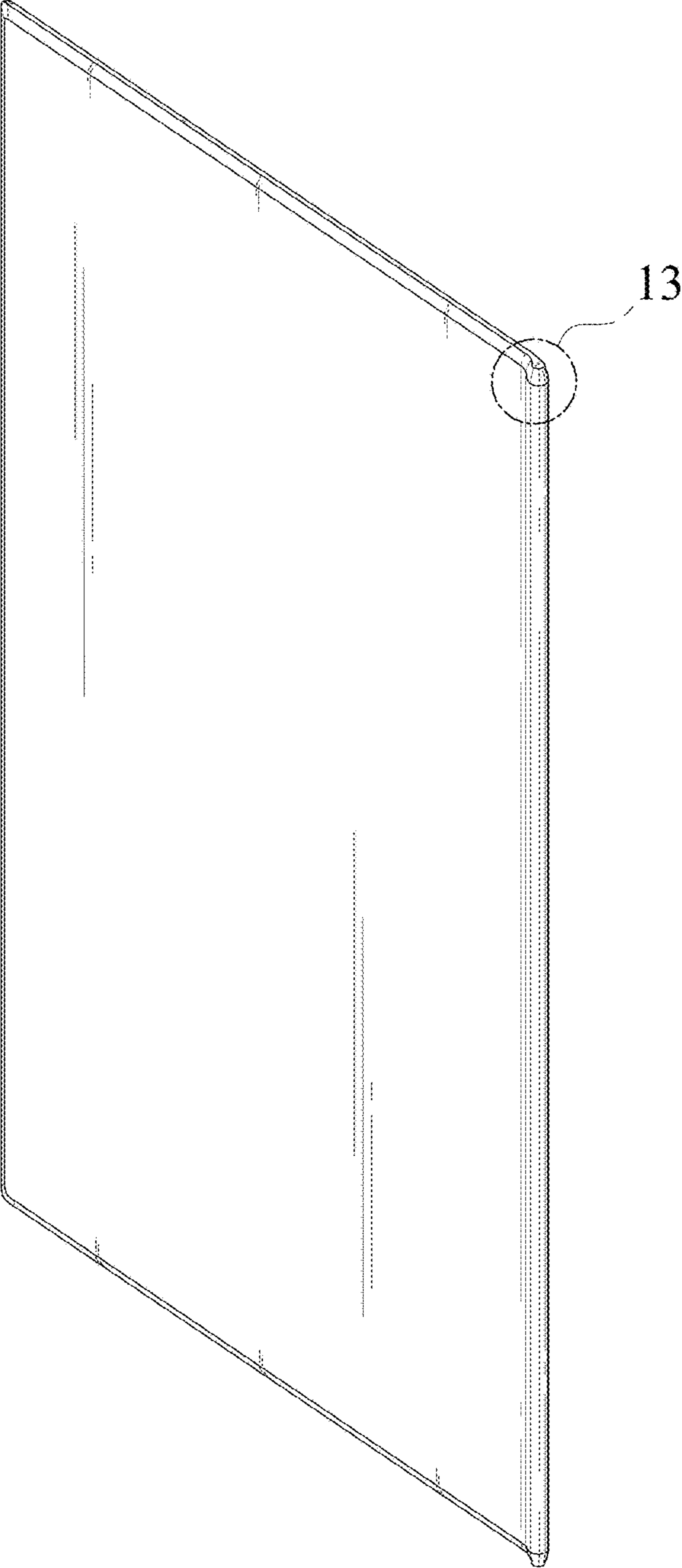


FIG. 2

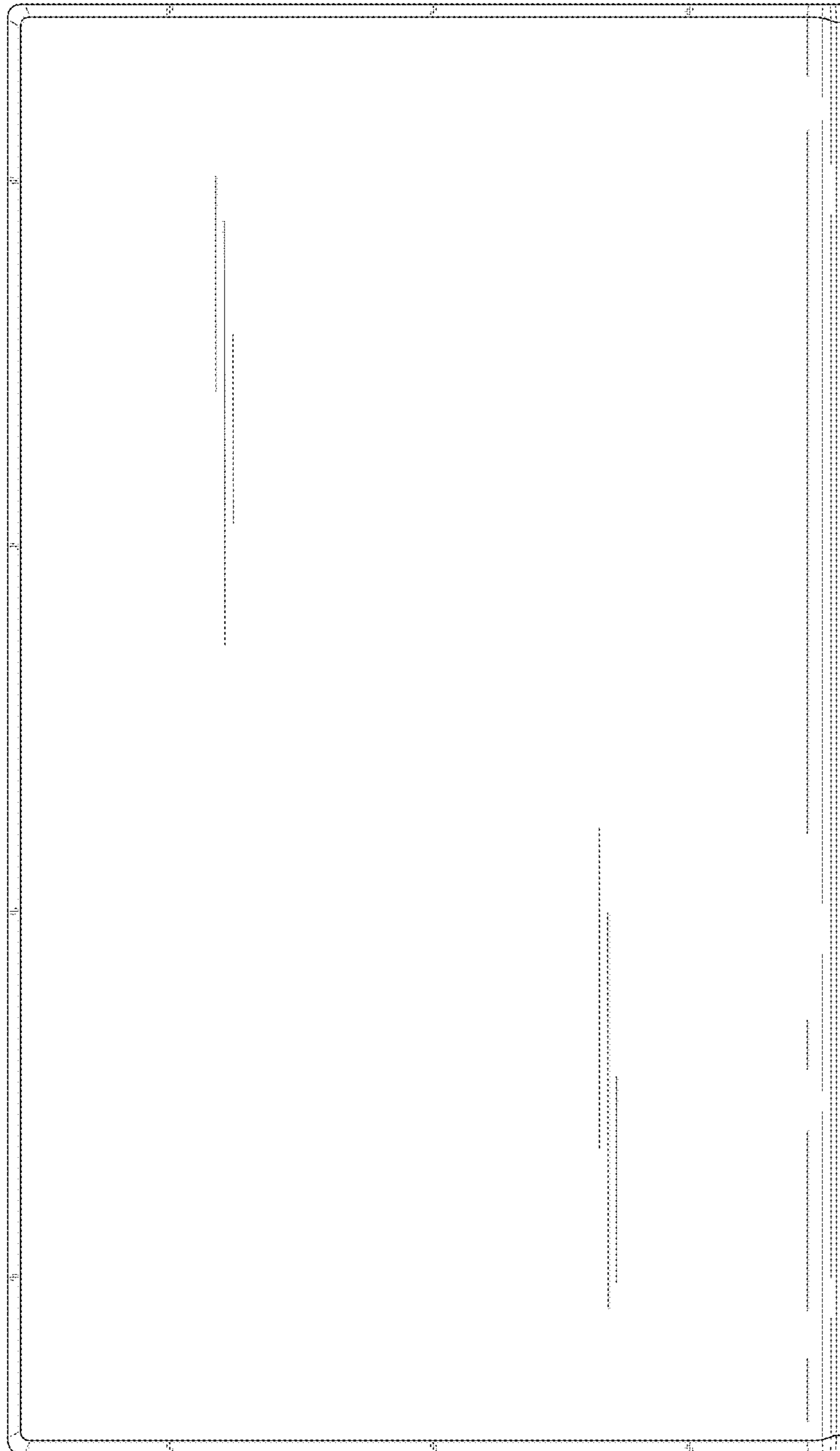


FIG. 3

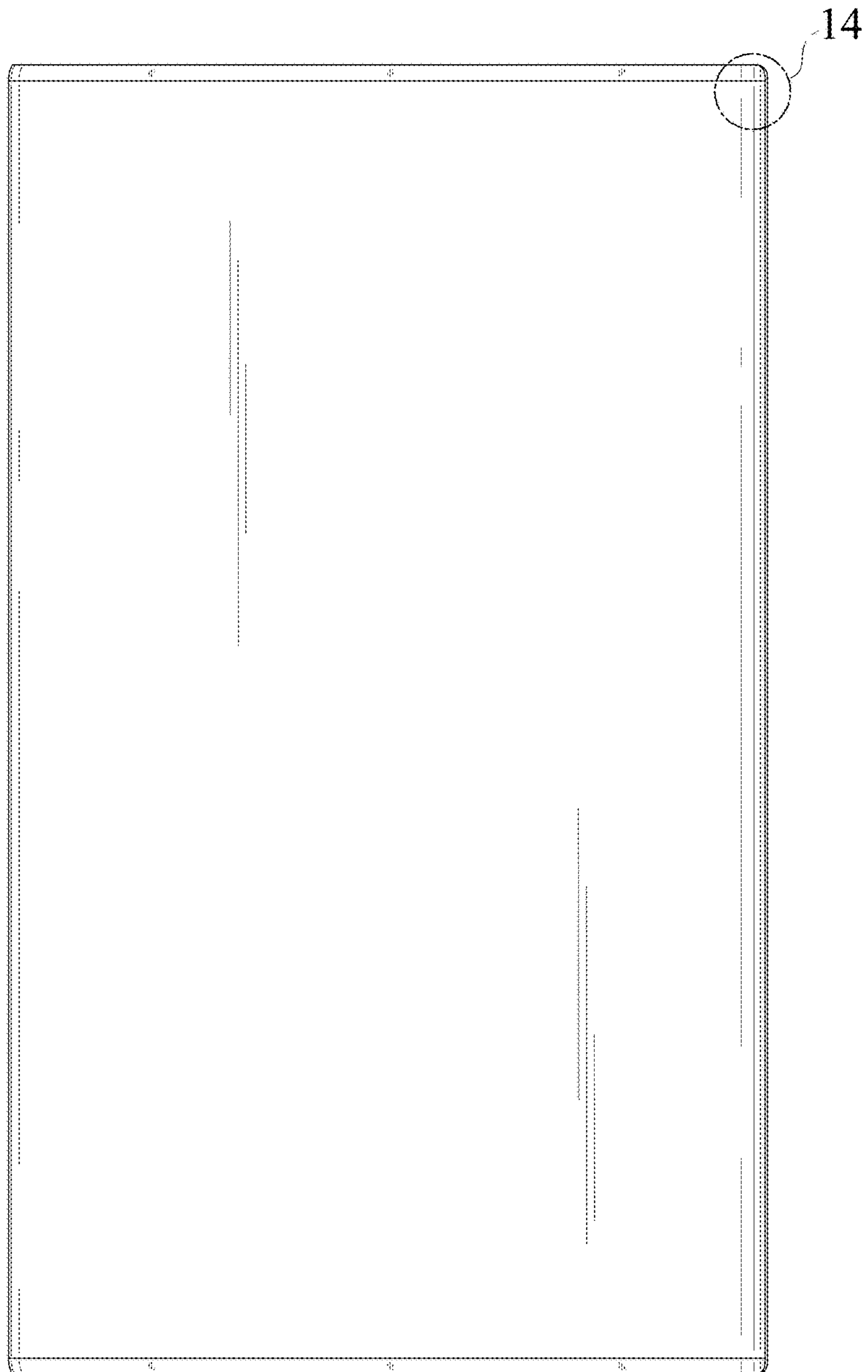


FIG. 4

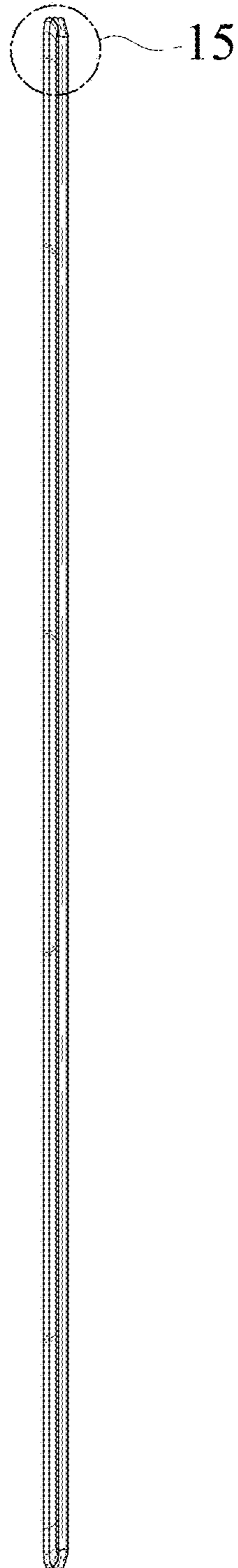


FIG. 5

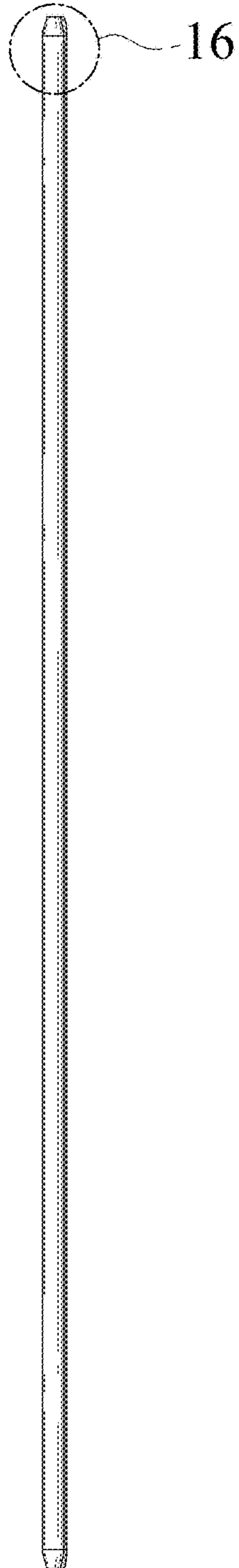


FIG. 6

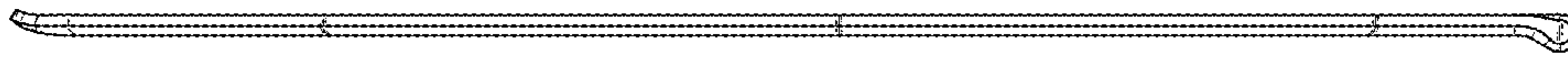


FIG. 7

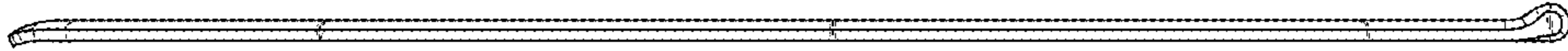


FIG. 8

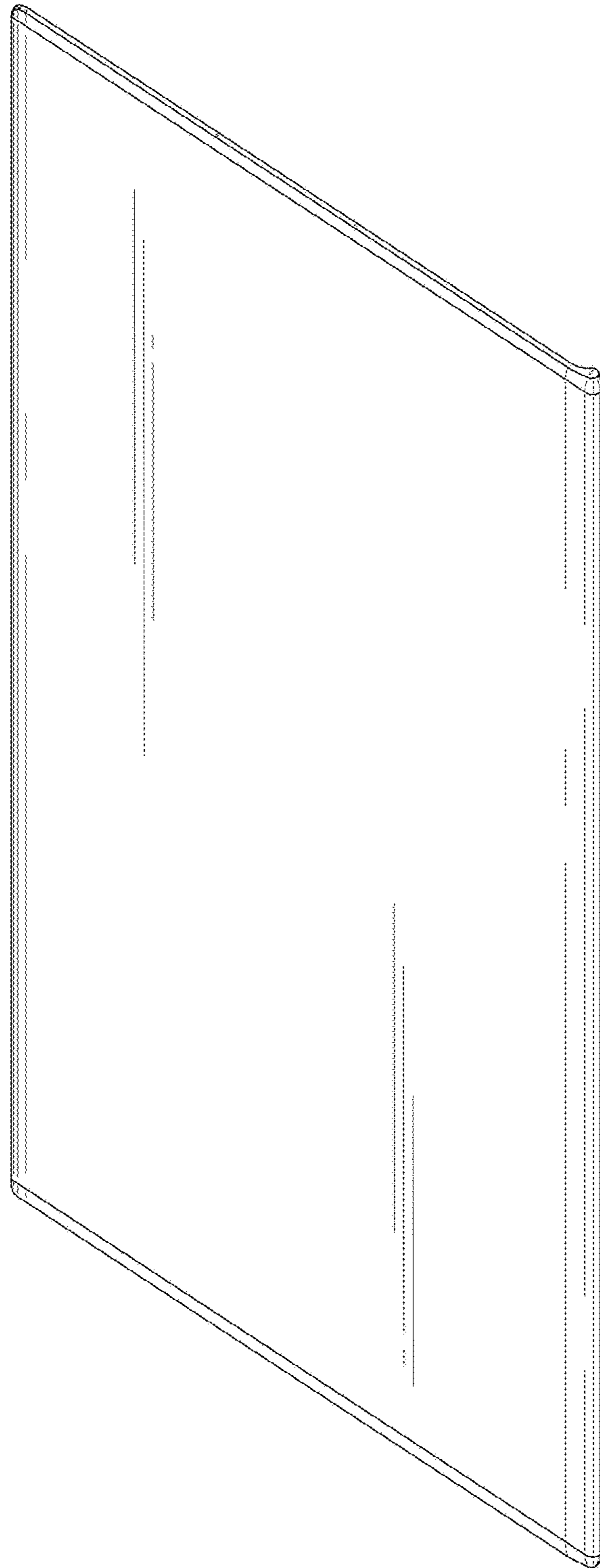


FIG. 9

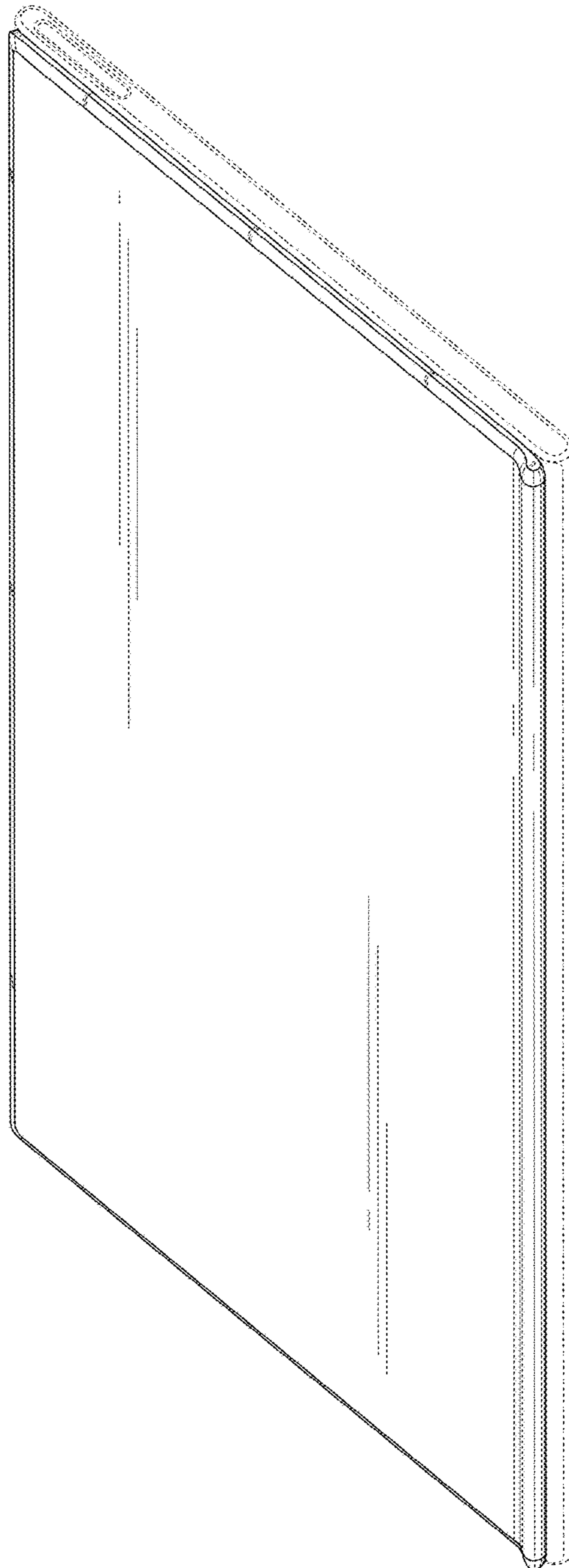


FIG. 10

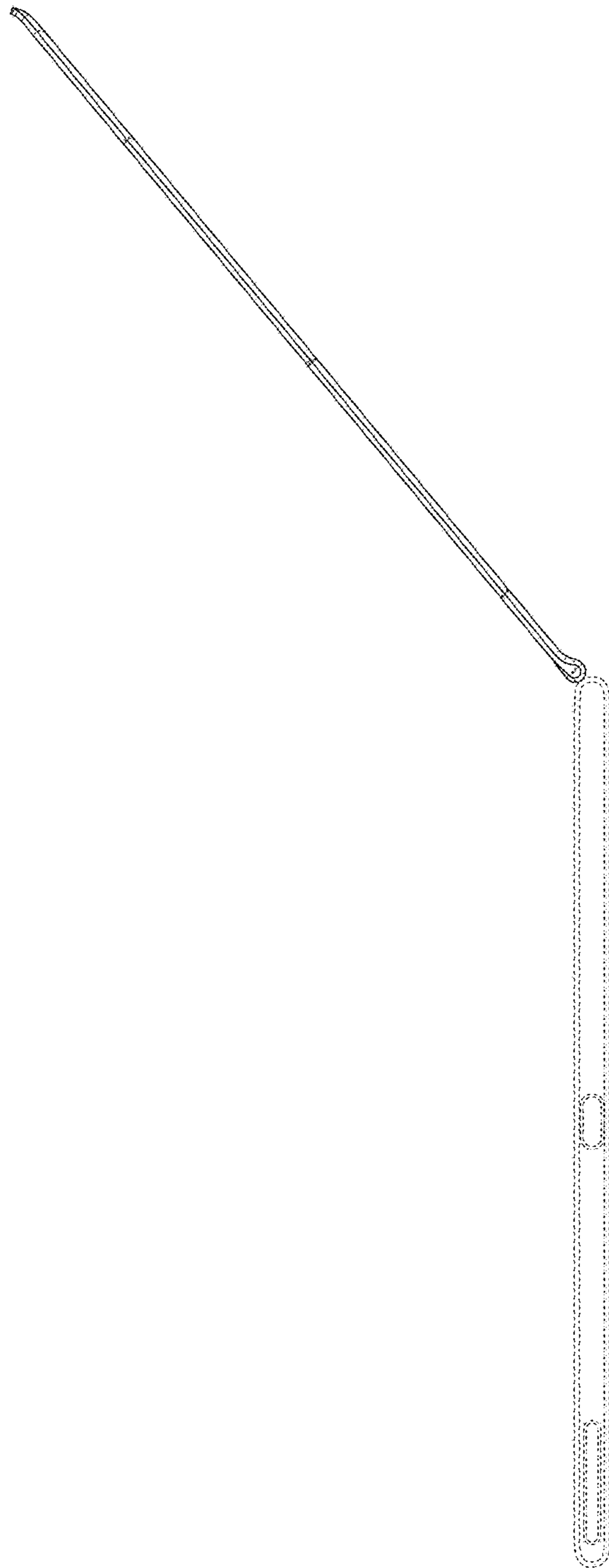


FIG. 11

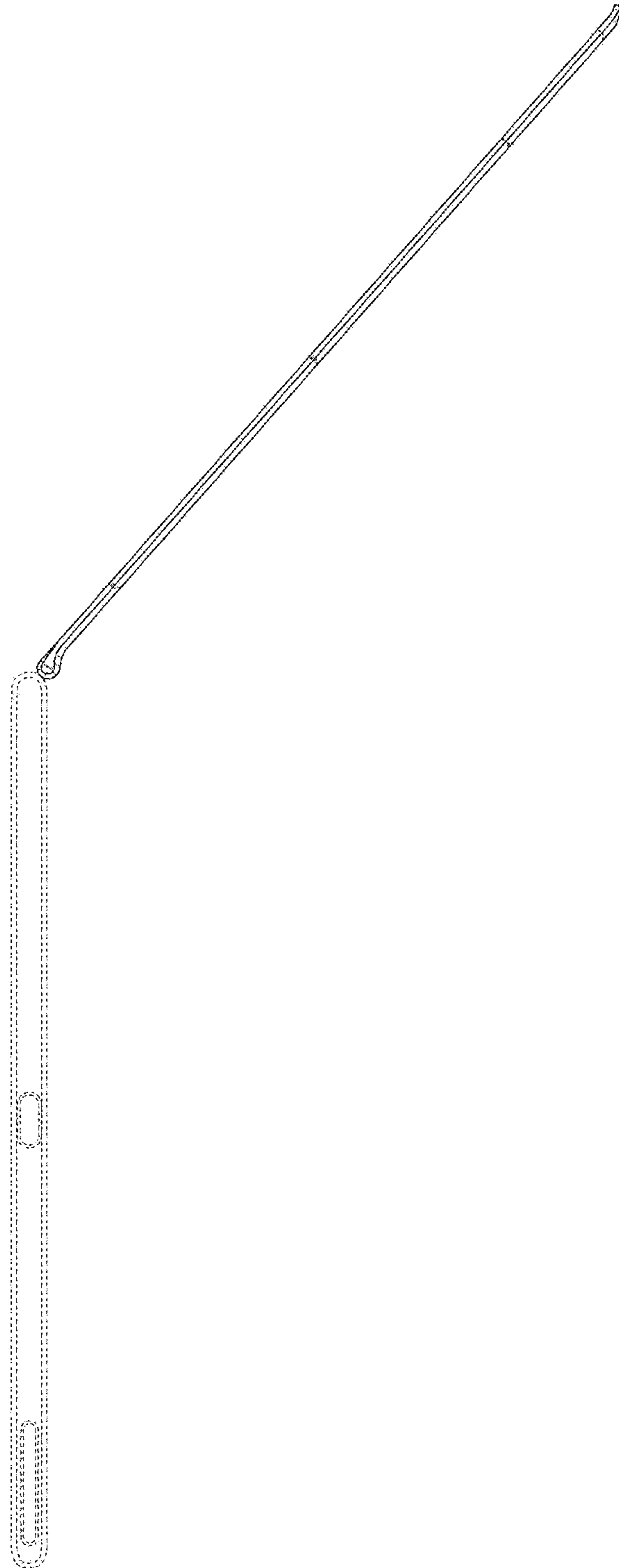


FIG. 12



FIG. 13

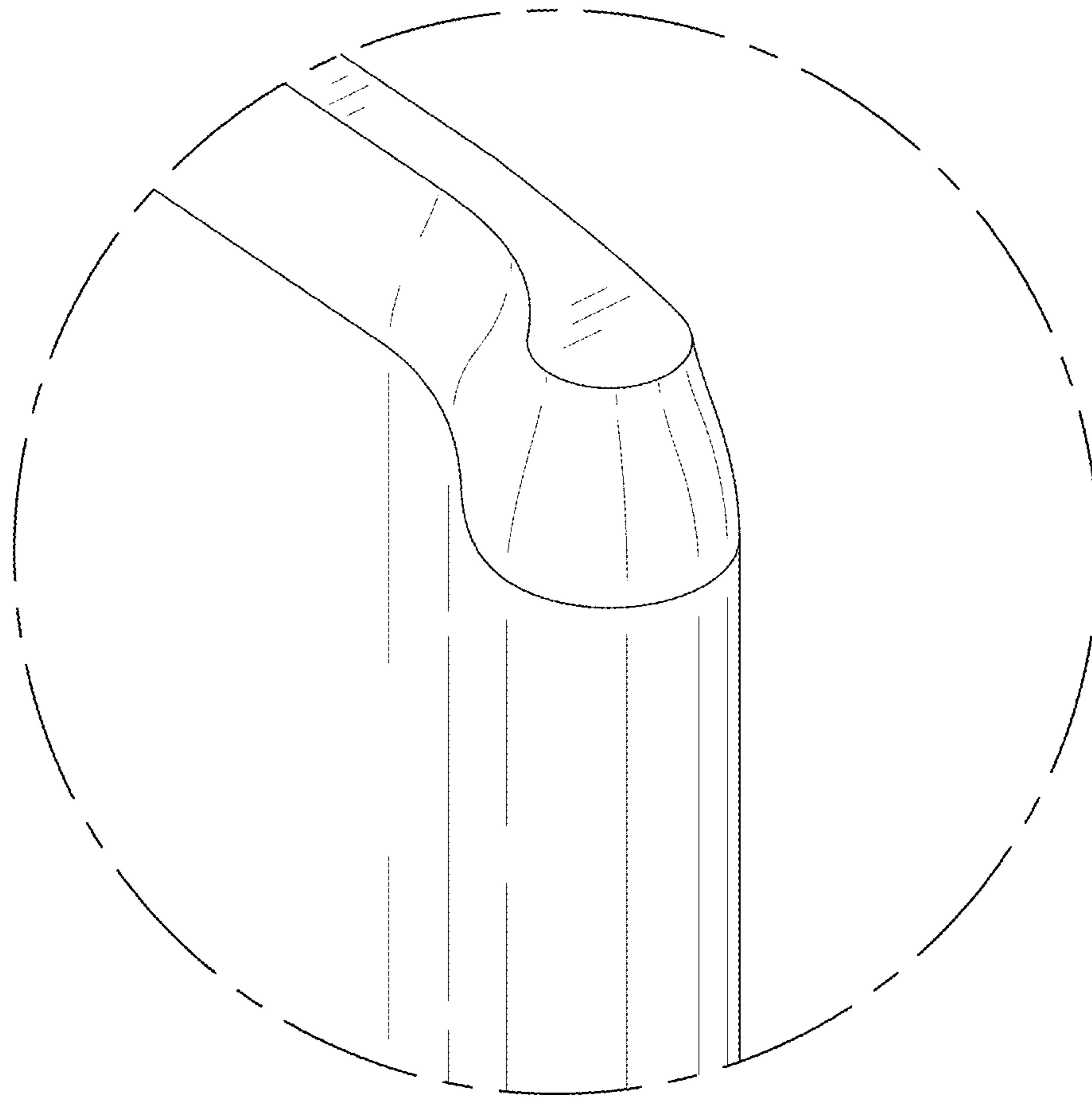


FIG. 14

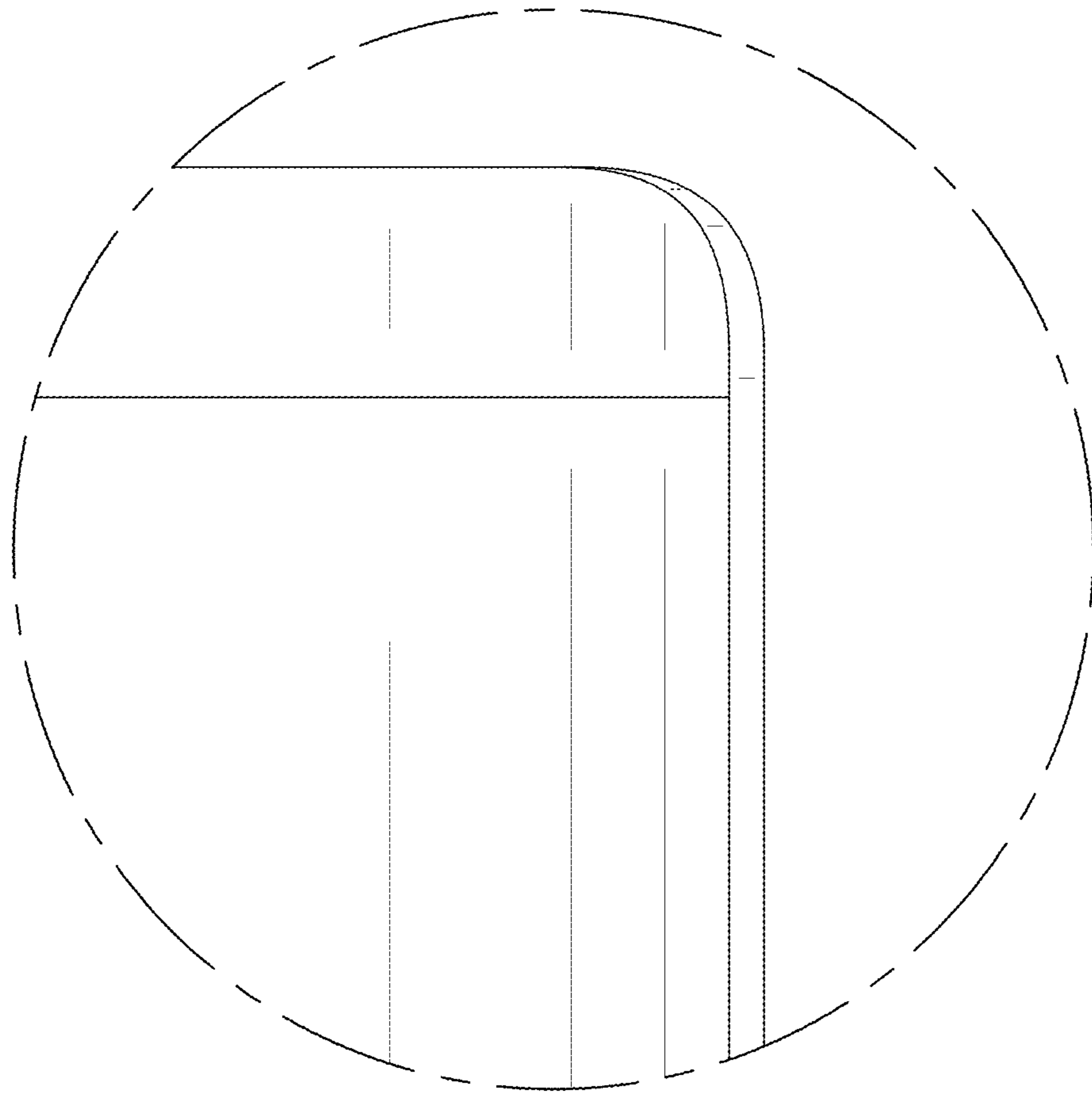


FIG. 15

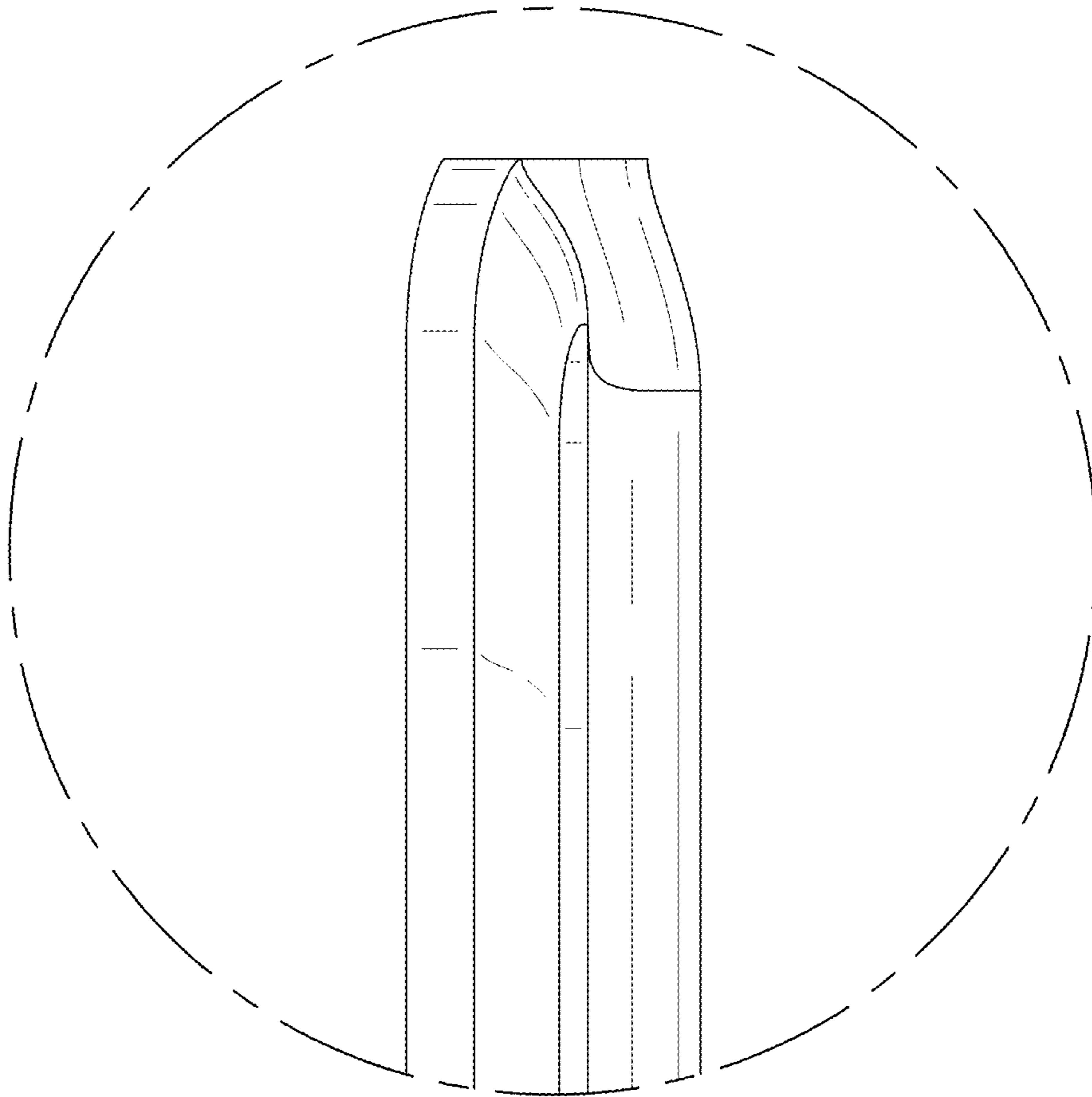


FIG. 16

