



US00D837215S

(12) **United States Design Patent** (10) **Patent No.:** **US D837,215 S**
Memke et al. (45) **Date of Patent:** **** Jan. 1, 2019**

(54) **OPTICAL SCANNER**

OTHER PUBLICATIONS

(71) Applicant: **Hand Held Products, Inc.**, Fort Mill, SC (US)
(72) Inventors: **David K. Memke**, Bainbridge Island, WA (US); **John S. Bandringa**, Everett, WA (US); **Roger Jackson**, Lake Forest Park, WA (US); **Tim Zurmoehle**, Seattle, WA (US); **William Herweh, III**, Seattle, WA (US); **Churu Yun**, Seattle, WA (US); **Matthew McElvogue**, Seattle, WA (US); **Rajat Shail**, Chicago, IL (US)

Bidwell et al., "Headset", Design U.S. Appl. No. 29/572,887, Filed Aug. 1, 2016, 73 pages, [Not yet published/granted].
(Continued)

Primary Examiner — Susan Moon Lee
(74) *Attorney, Agent, or Firm* — Additon, Higgins & Pendleton, P.A.

(73) Assignee: **Hand Held Products, Inc.**, Fort Mill, SC (US)

(57) **CLAIM**
The ornamental design for an optical scanner, as shown in the accompanying drawings and described above.

(**) Term: **15 Years**

DESCRIPTION

(21) Appl. No.: **29/572,896**

FIG. 1 is a front, lower left perspective view of an optical scanner in accordance with the present design.
FIG. 2 is a front, upper right perspective view of the optical scanner of FIG. 1.
FIG. 3 is a front elevation view of the optical scanner of FIG. 1.
FIG. 4 is a rear elevation view of the optical scanner of FIG. 1.
FIG. 5 is a right elevation view of the optical scanner of FIG. 1.
FIG. 6 is a left elevation view of the optical scanner of FIG. 1.
FIG. 7 is a top plan view of the optical scanner of FIG. 1; and,
FIG. 8 is a bottom plan view of the optical scanner of FIG. 1.

(22) Filed: **Aug. 1, 2016**

(51) **LOC (11) Cl.** **14-02**

(52) **U.S. Cl.**
USPC **D14/428; D14/453**

(58) **Field of Classification Search**
USPC D14/420, 426-430, 453, 346, 341, 347, D14/412, 138; D13/107, 184; 358/473; 235/462.43, 462.45, 462.47, 462.48, 235/462.44, 462.46, 487, 472.01, 472.02, 235/145 A, 145 R; D10/78; 324/426;
(Continued)

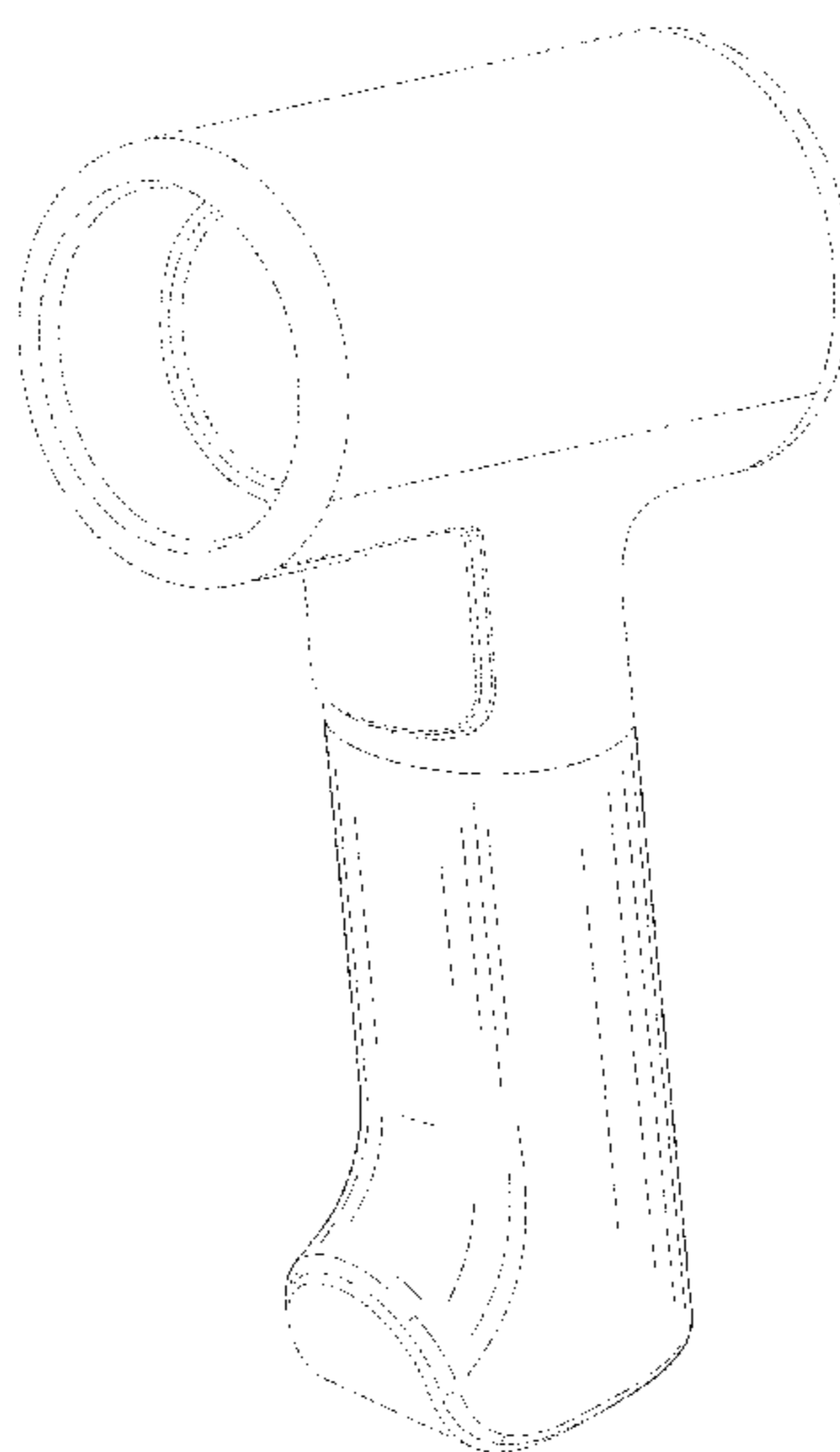
(56) **References Cited**

U.S. PATENT DOCUMENTS

4,418,732 A * 12/1983 Kolonia B25G 1/10 16/436
D273,359 S * 4/1984 Kolonia D8/76
(Continued)

The broken lines and unshaded portions contained within broken lines depict unclaimed features of the optical scanner that form no part of the claimed design but are shown for purposes of illustration.
The dot-dash lines depict the boundary at which the unclaimed portions terminate and claimed subject matter begins, and form no part of the design claim.

1 Claim, 8 Drawing Sheets



(58) **Field of Classification Search**

USPC D3/273; 710/73; D18/7; 361/679, 728,
 361/679.56; 382/313, 321; 455/575.1,
 455/561, 572; 345/156, 168, 169, 172,
 345/173, 87; 705/17, 18, 22-25;
 D8/315, 68, 80, 105, 107, 300-303, 307,
 D8/321, 29.1, 61, 70, 75-77, 81
 CPC G06F 1/626; G06F 1/1626; G06F 1/1656;
 G06F 1/1632; G06F 1/1684; G06F
 1/1635; G06F 8/63; G06F 17/30091;
 G06F 9/4401; G06K 7/10881; G06K
 7/1098; G06K 7/10722; G06K 7/1404;
 G06K 7/0004; G06K 7/10633; G06K
 7/10851; G06K 7/1091; G06K 7/1092;
 G06K 7/1093; G06K 7/10; G06K 7/109;
 G06K 7/1417; G06K 9/228; G06K
 17/0022; G06K 17/00; G06K 2207/1011;
 G06K 2207/1013; G06K 2207/1016;
 G06K 2207/1018; G06K 2017/0051;
 G06K 2017/0067; G06K 2007/10524;
 G07G 1/0081; G07G 1/009; G06Q 20/20;
 G06Q 20/201; G06Q 20/202; G06Q
 20/203; G06Q 20/30; G06Q 20/32; G06Q
 20/322; G06Q 20/4014; G06Q 10/087;
 H04N 1/00127; H04N 1/00135; H04N
 1/00326; H04N 1/00334; H04N 1/00307;
 H04N 1/107; H04N 2201/0084; H04N
 2101/00; H04M 1/0249; H04M 1/0262;
 H04M 1/0266; H04M 1/18; H04M 1/23;
 H04M 1/236; H04B 1/3827; H04B
 1/3833; H04B 1/3877; H04B 1/3883;
 H04B 1/3888; H04B 2001/3894; H01M
 2/1066

See application file for complete search history.

(56) **References Cited**

U.S. PATENT DOCUMENTS

D456,808 S * 5/2002 Fitch D14/426
 D571,808 S * 6/2008 Doerr D14/429

7,673,804 B1 * 3/2010 Hinson G06K 7/10881
 235/462.45
 D619,442 S * 7/2010 Chen D8/80
 D656,379 S * 3/2012 Islas D8/80
 D658,961 S * 5/2012 Islas D8/80
 D716,126 S * 10/2014 Dahlberg D8/75
 D737,651 S * 9/2015 Masalin D8/107
 D760,054 S * 6/2016 Huttunen D8/76
 D761,075 S * 7/2016 Masalin D8/107
 D761,632 S * 7/2016 Masalin D8/107
 D769,098 S * 10/2016 Huttunen D8/76
 D799,295 S * 10/2017 Huttunen D8/76
 10,019,334 B2 * 7/2018 Caballero G06F 11/0742
 2004/0094627 A1 * 5/2004 Parker G06K 7/10544
 235/472.01
 2016/0154985 A1 * 6/2016 Auger G07D 7/12
 235/462.45

OTHER PUBLICATIONS

Bidwell et al., "Headset", Design U.S. Appl. No. 29/572,890, Filed
 Aug. 1, 2016, 65 pages, [Not yet published/granted].
 Bidwell et al. "Printer", U.S. Appl. No. 29/572,909, Filed Aug. 1,
 2016, 51 pages, [Not yet published/granted].
 Memke et al. "Optical Scanner", Design U.S. Appl. No. 29/572,898,
 Filed Aug. 1, 2016, 57 pages, [Not yet published/granted].
 Memke et al. "Optical Scanner and Base", Design U.S. Appl. No.
 29/572,902, Filed Aug. 1, 2016, 57 pages, [Not yet published/
 granted].
 Bidwell et al. "Optical Scanner", Design U.S. Appl. No. 29/572,904,
 Filed Aug. 1, 2016, 84 pages, [Not yet published/granted].
 Bidwell et al. "Optical Scanner and Handle", Design U.S. Appl. No.
 29/572,907, Filed Aug. 1, 2016, 130 pages, [Not yet published/
 granted].

* cited by examiner

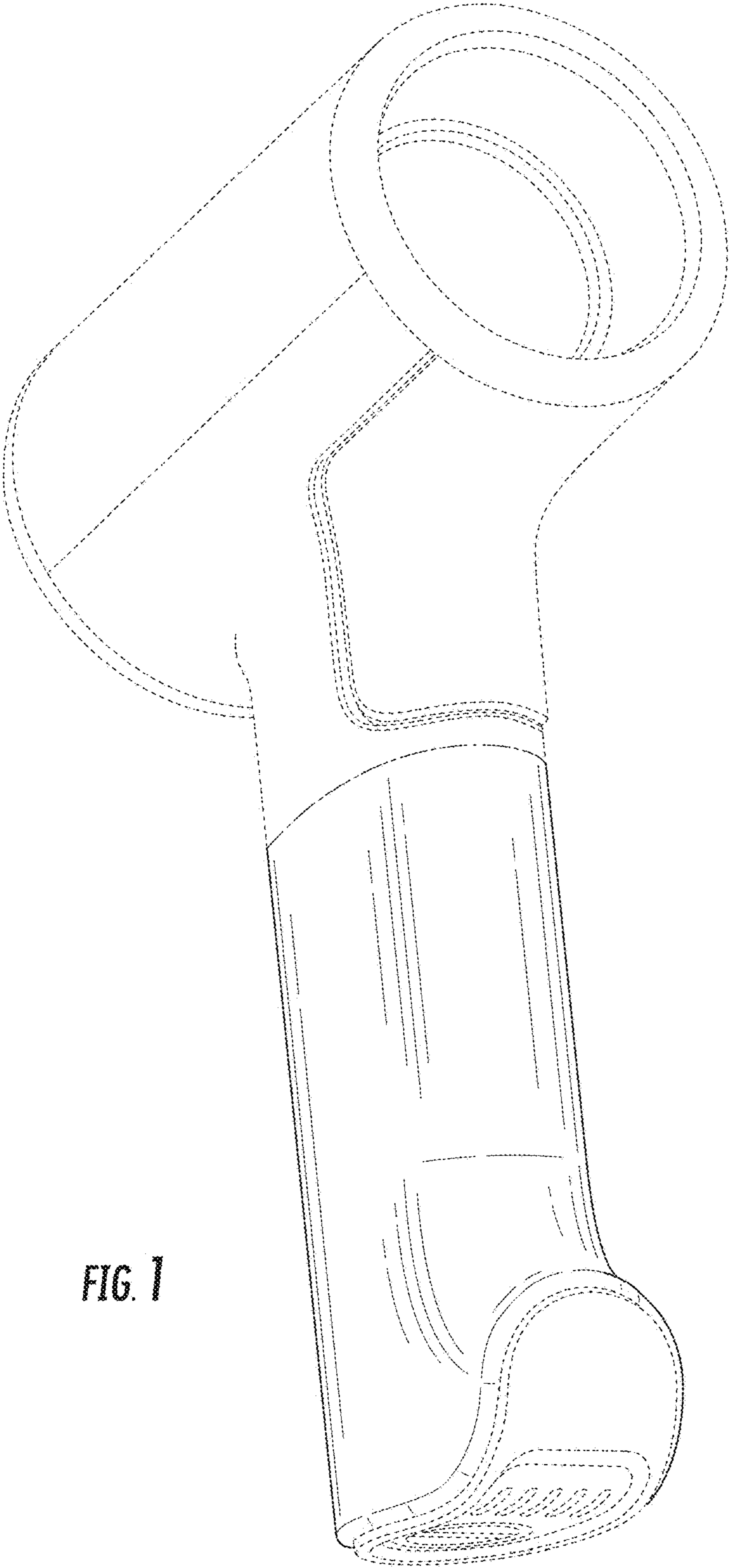


FIG. 1

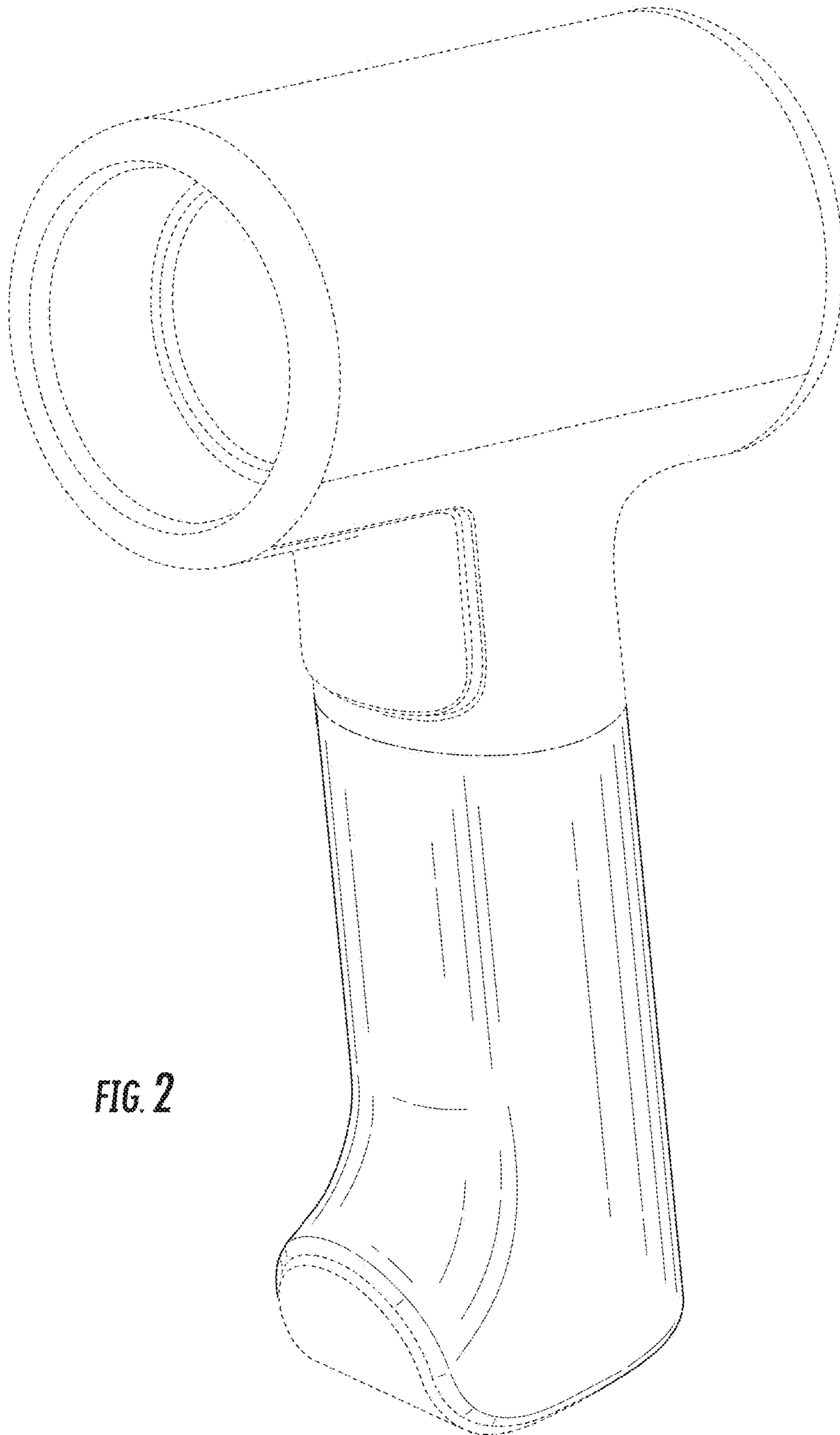


FIG. 2

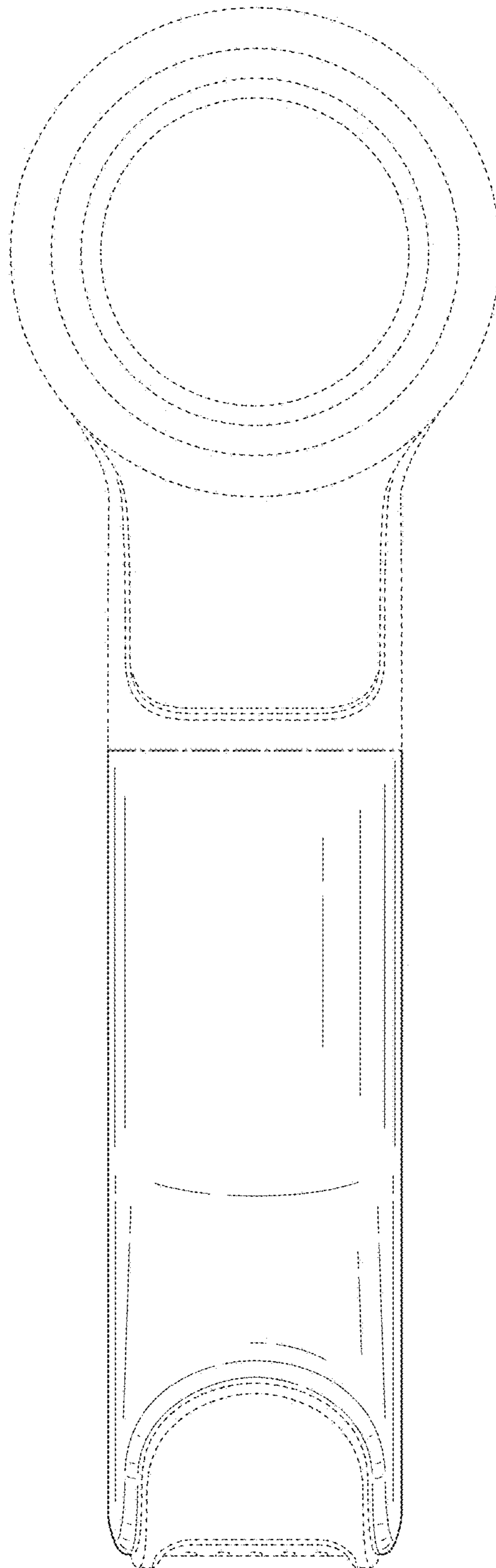


FIG. 3

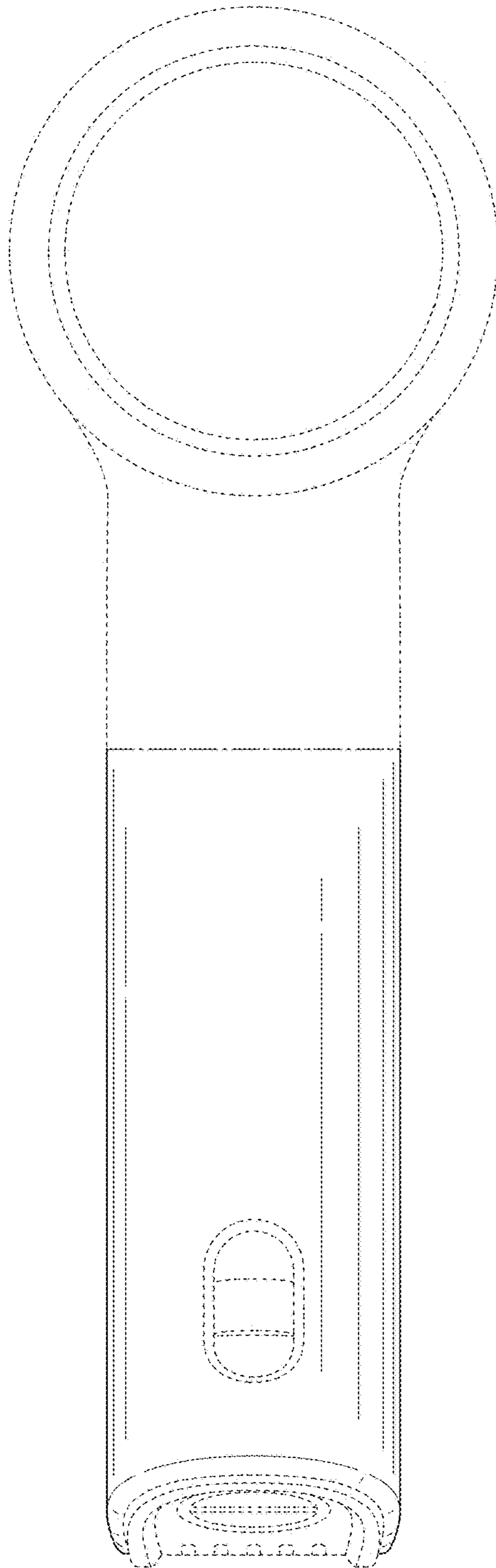


FIG. 4

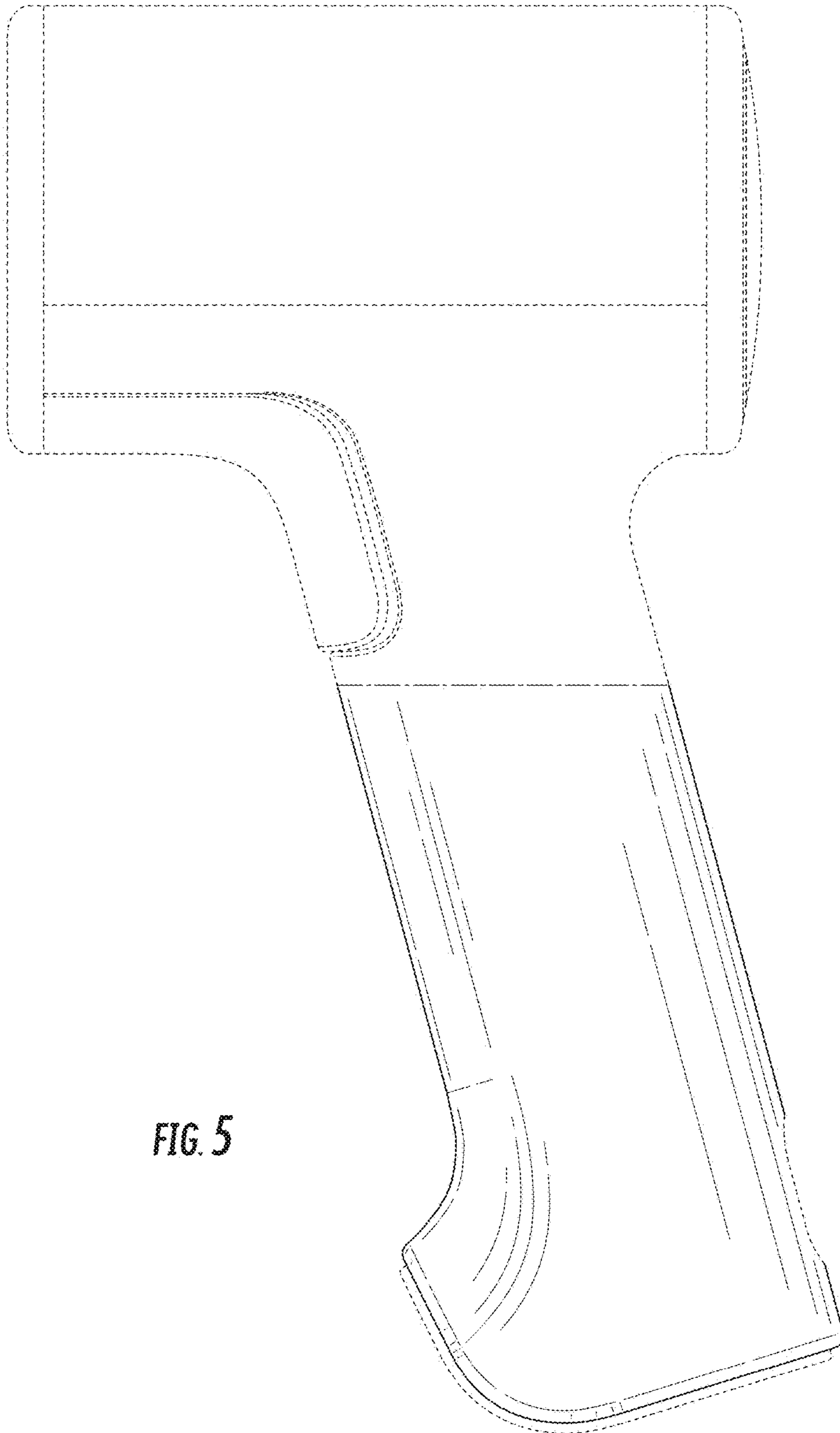


FIG. 5

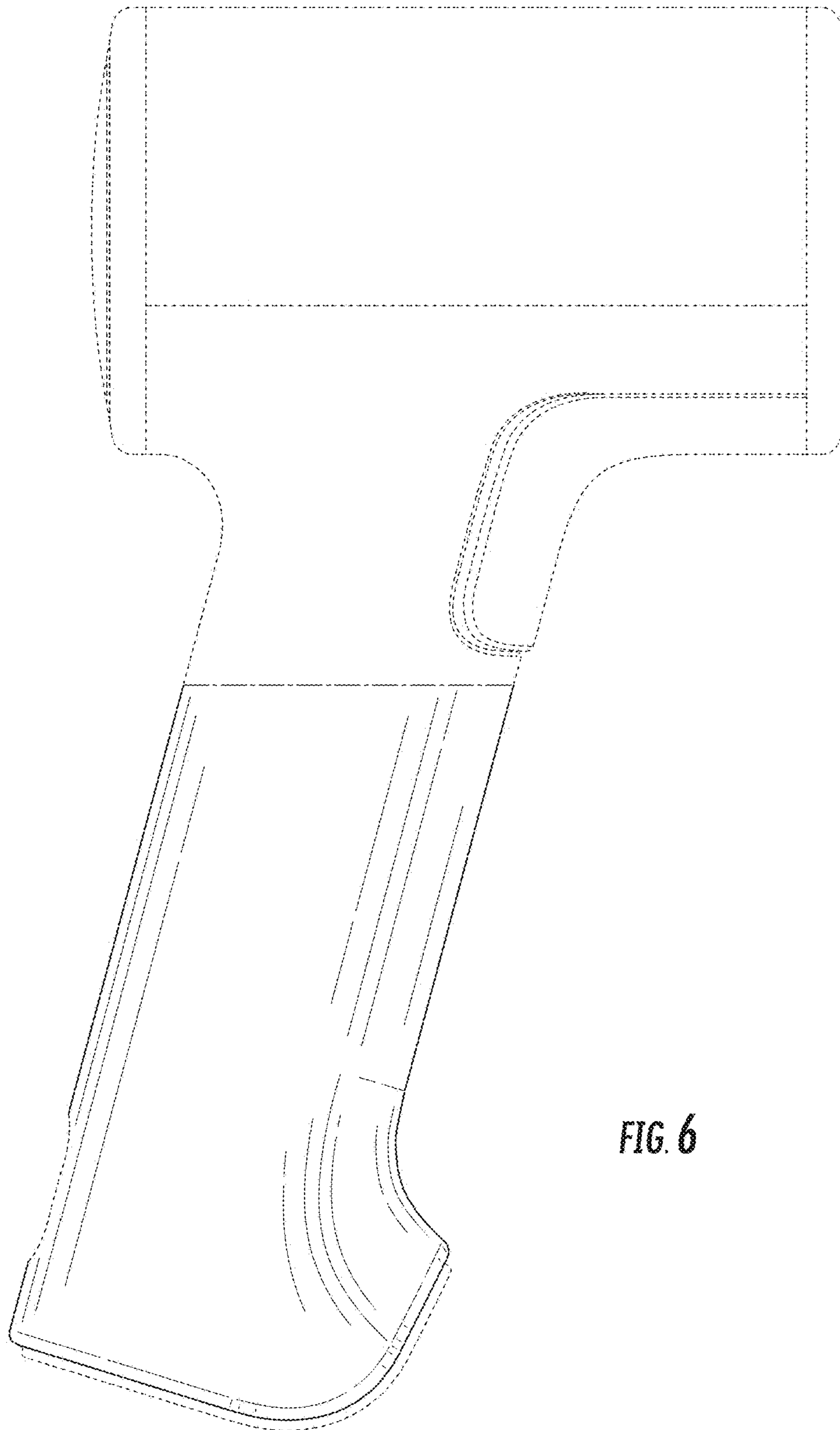


FIG. 6

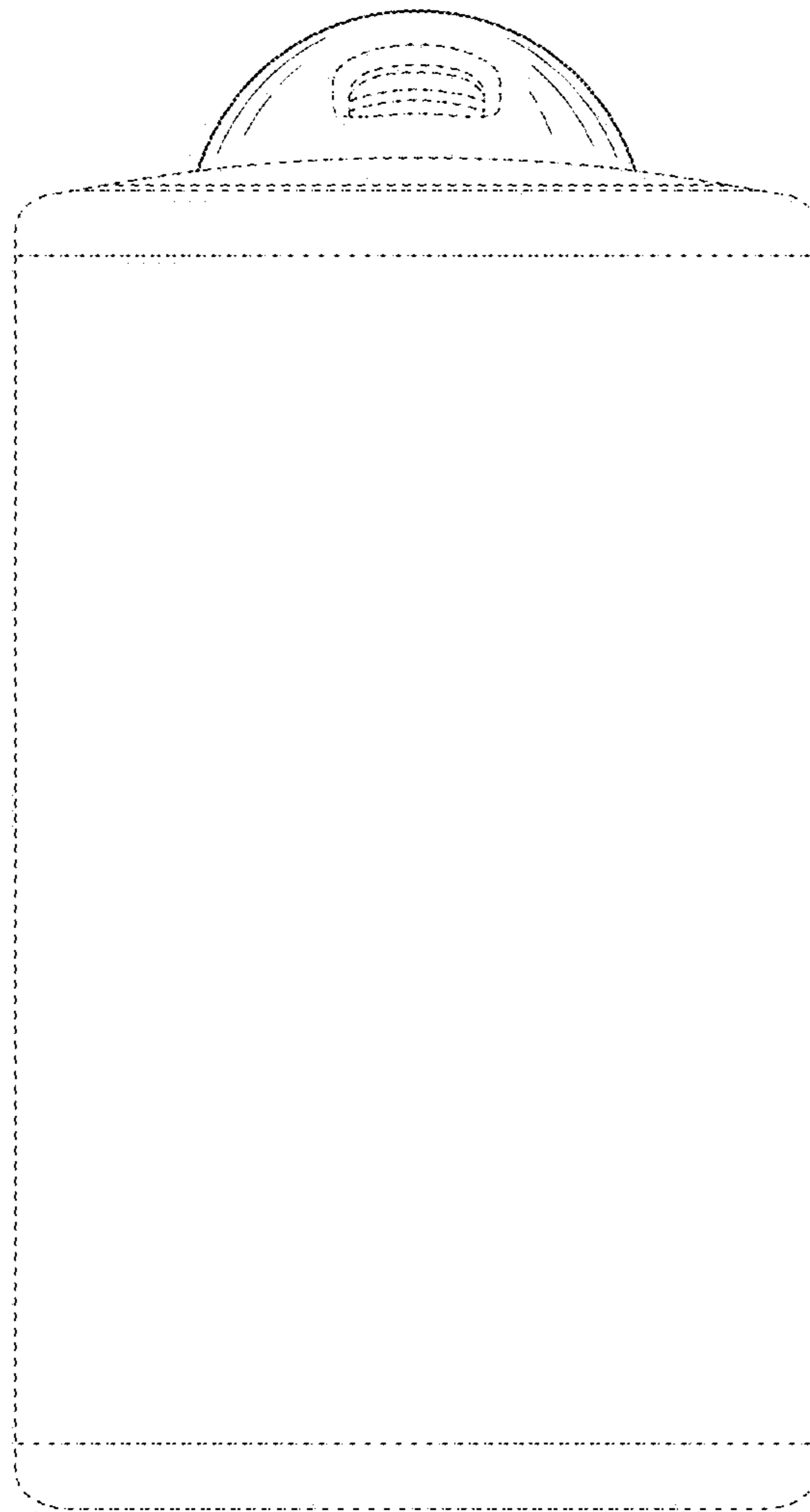


FIG. 7

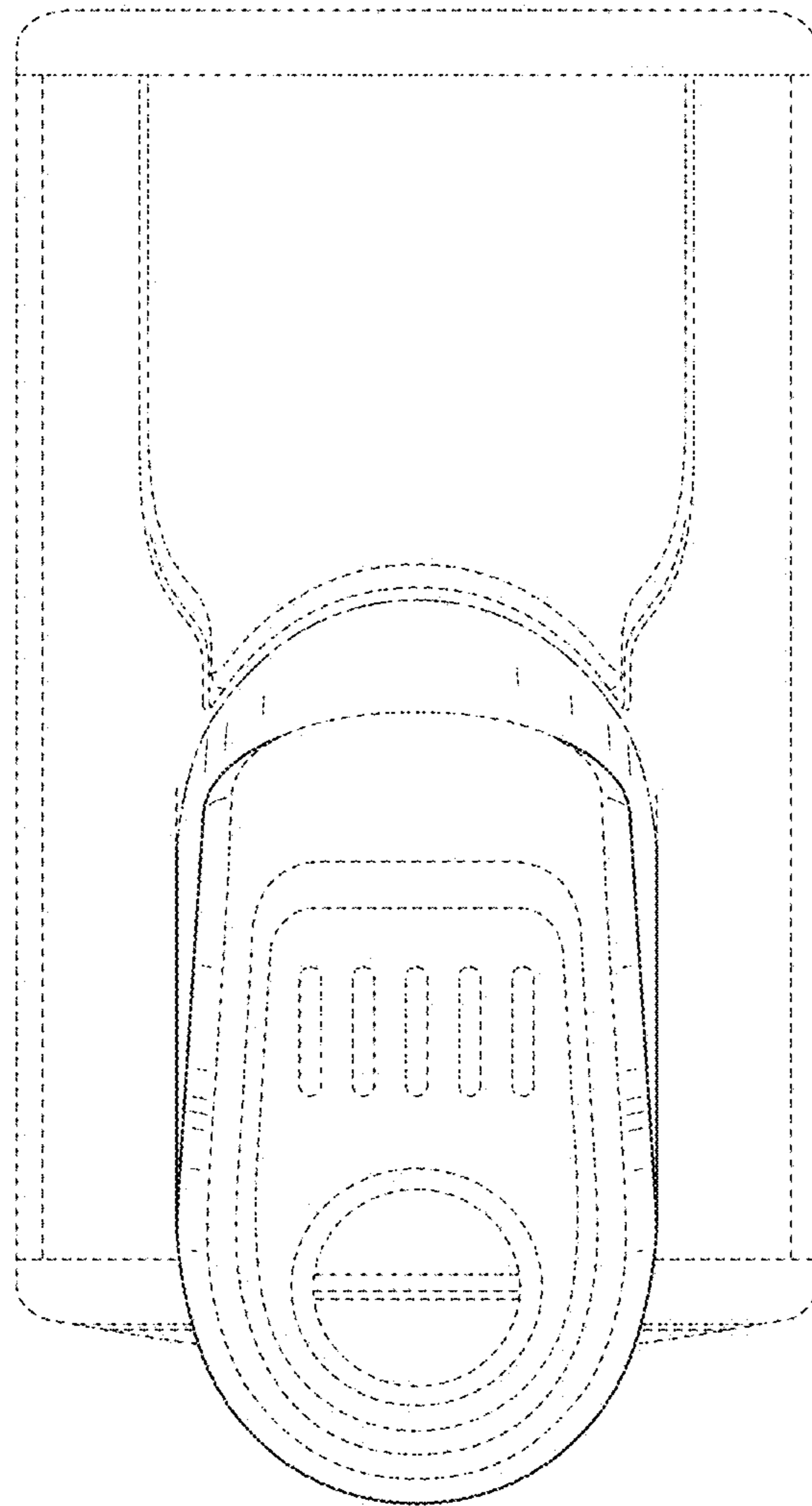


FIG. 8