



US00D837214S

(12) **United States Design Patent**  
**Yasutomi**

(10) **Patent No.:** **US D837,214 S**

(45) **Date of Patent:** **\*\* Jan. 1, 2019**

(54) **STYLUS PEN FOR PERSONAL DIGITAL ASSISTANTS**

(71) Applicant: **Terrada Music Score Co., Ltd.**, Tokyo (JP)

(72) Inventor: **Hiroshi Yasutomi**, Tokyo (JP)

(73) Assignee: **Terrada Music Score Co., Ltd.**, Tokyo (JP)

(\*\*) Term: **15 Years**

(21) Appl. No.: **29/621,013**

(22) Filed: **Oct. 3, 2017**

(51) **LOC (11) Cl.** ..... **14-02**

(52) **U.S. Cl.**  
USPC ..... **D14/411**

(58) **Field of Classification Search**  
USPC ..... D14/372, 496, 432, 371, 125, 126, 129, D14/299, 411; D16/300-342; 351/158, 351/153, 144; 345/7-9, 905; 455/344; 348/115, 53, 121, 739  
CPC ..... G02B 27/017; G06F 3/016; G06F 3/033; G06F 3/0317; G06F 3/03545; G06F 3/041; G06K 9/222  
See application file for complete search history.

(56) **References Cited**

**U.S. PATENT DOCUMENTS**

D659,141 S \* 5/2012 Watson ..... D14/411  
D694,326 S \* 11/2013 Cambianica ..... D19/173  
D717,303 S \* 11/2014 Huang ..... D14/411  
D725,112 S \* 3/2015 Bo ..... D14/411

D736,317 S \* 8/2015 Miller ..... D19/173  
D754,661 S \* 4/2016 Nishizawa ..... D14/411  
D768,133 S \* 10/2016 Reed ..... D14/411  
D784,991 S \* 4/2017 Chang ..... D14/411  
D797,741 S \* 9/2017 Cebe ..... D14/411  
D811,402 S \* 2/2018 Nishizawa ..... D14/411  
D812,057 S \* 3/2018 Lehman ..... D14/411  
D812,058 S \* 3/2018 Lehman ..... D14/411  
D812,059 S \* 3/2018 Lehman ..... D14/411

\* cited by examiner

*Primary Examiner* — Austin Murphy

(74) *Attorney, Agent, or Firm* — Kilpatrick Townsend & Stockton LLP

(57) **CLAIM**

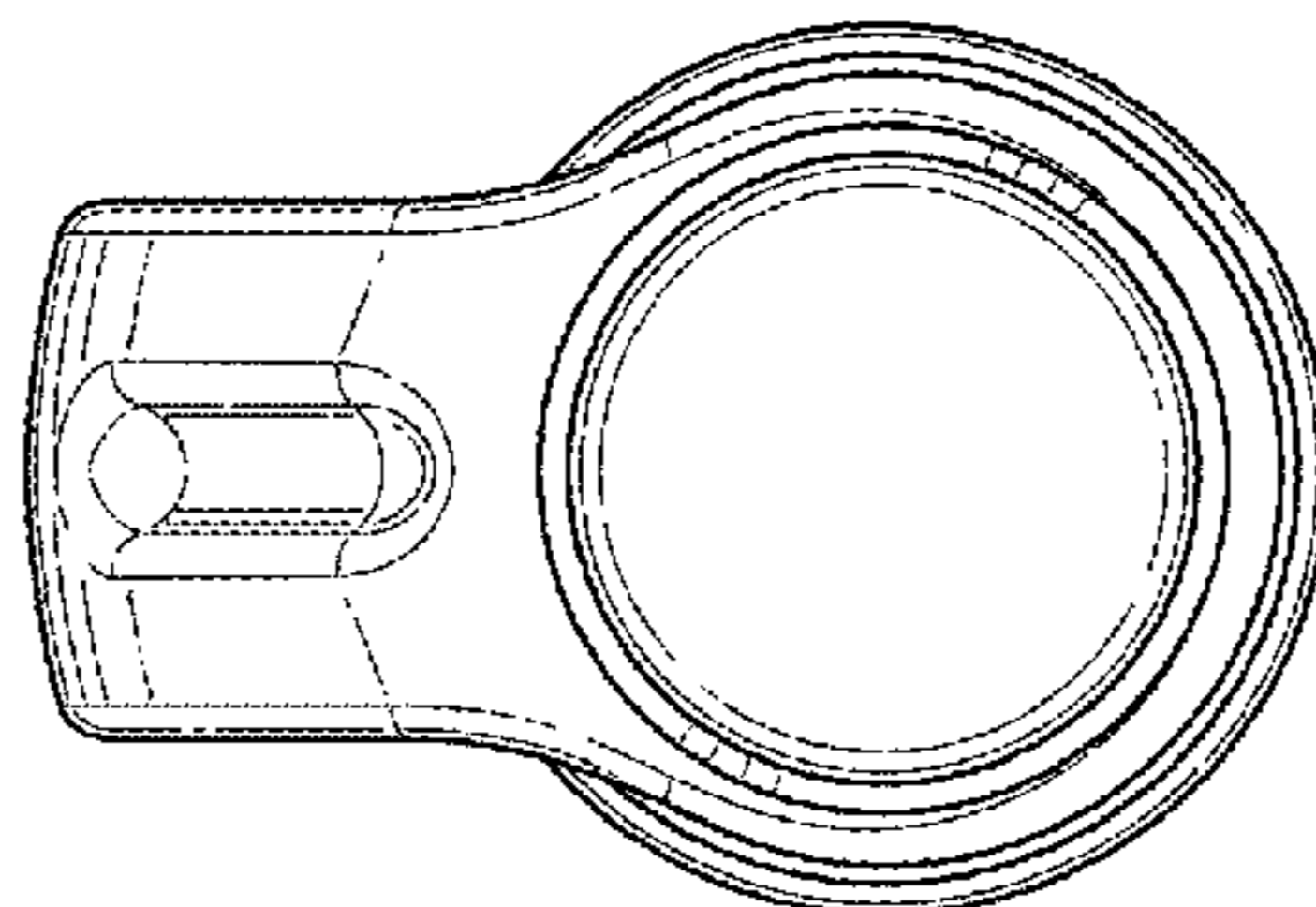
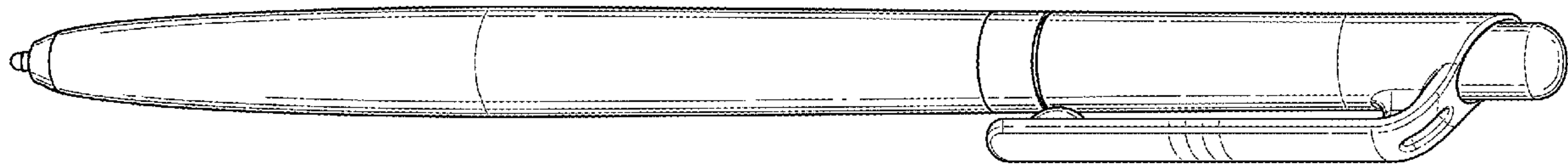
The ornamental design for a stylus pen for personal digital assistants, as shown and described.

**DESCRIPTION**

FIG. 1 is a front perspective view of a stylus pen for a personal digital assistants, showing my new design; FIG. 2 is a back perspective view thereof; FIG. 3 is a front view thereof; FIG. 4 is a rear view thereof; FIG. 5 is a top view thereof; FIG. 6 is a bottom view thereof; FIG. 7 is a right view thereof; and, FIG. 8 is a left view thereof.

The broken line showing on the drawing disclosure is for illustrative purposes only and forms no part of the claimed design.

**1 Claim, 8 Drawing Sheets**



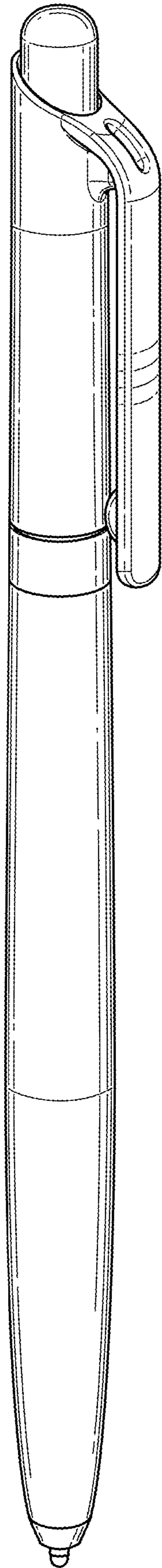


FIG. 1

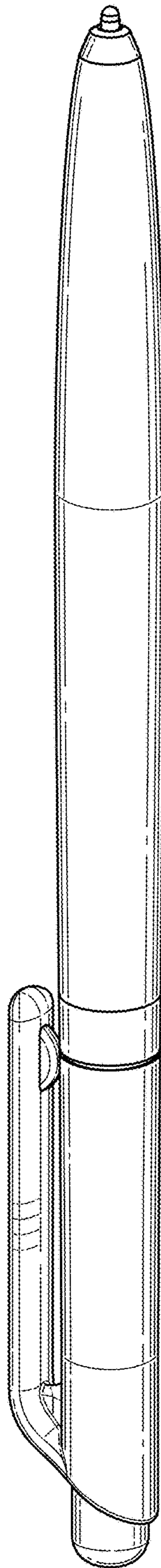


FIG. 2

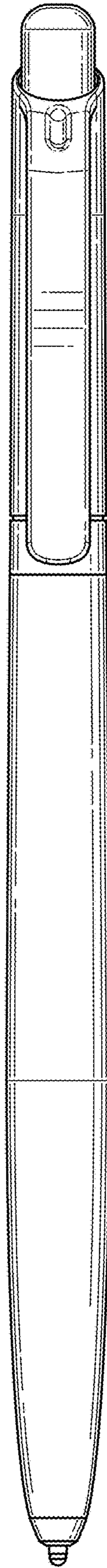


FIG. 3

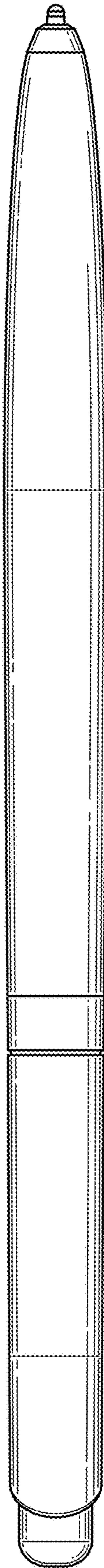


FIG. 4

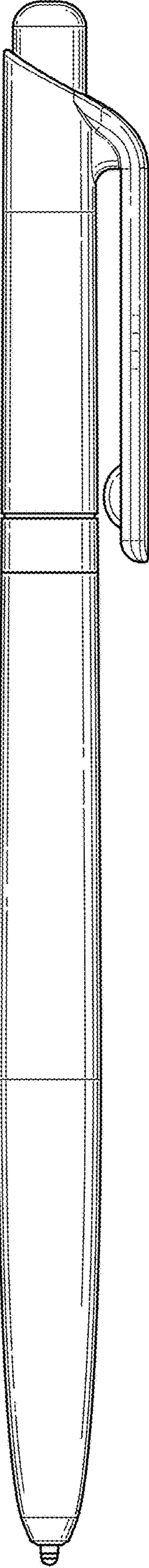


FIG. 5

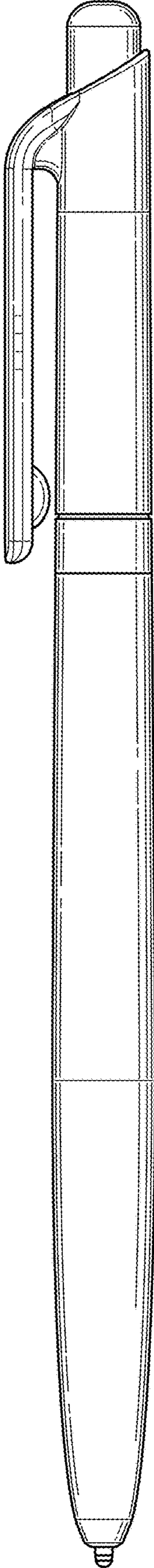


FIG. 6

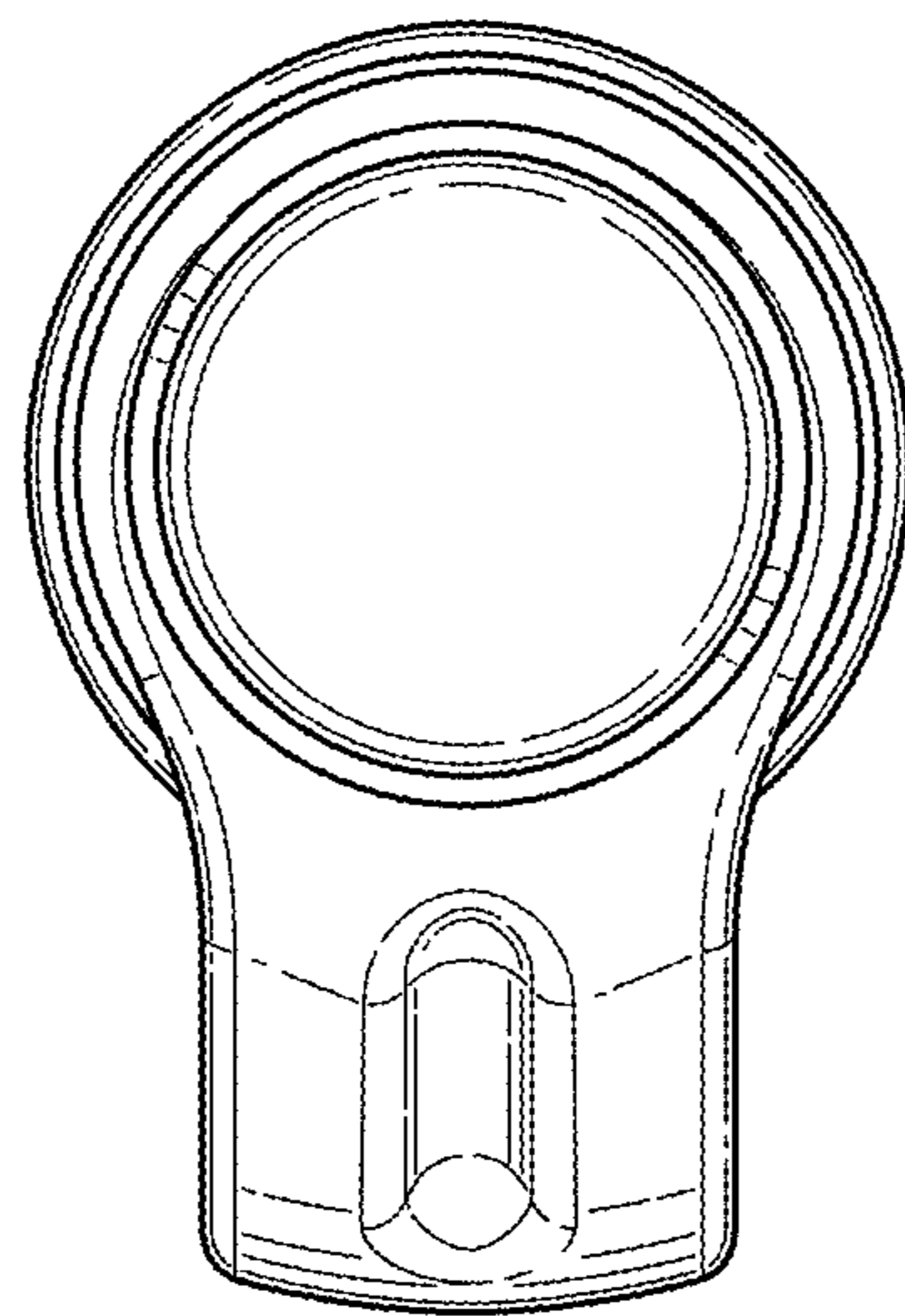


FIG. 7



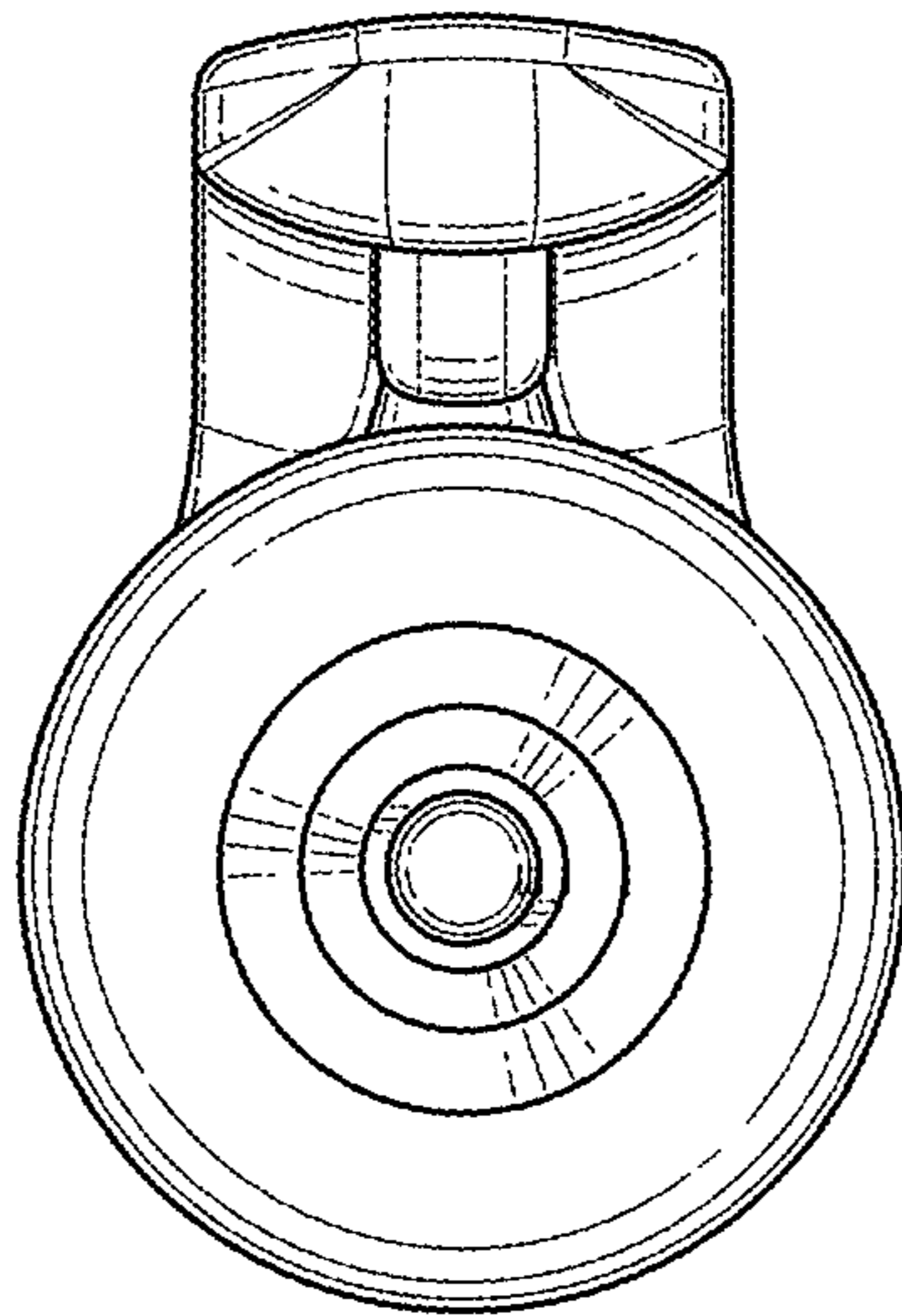


FIG. 8