



US00D837213S

(12) **United States Design Patent**  
**Kaiya et al.**

(10) **Patent No.:** **US D837,213 S**  
(45) **Date of Patent:** **\*\* Jan. 1, 2019**

- (54) **DATA INPUT MACHINE**
- (71) Applicant: **Fujitsu Frontech Limited**, Tokyo (JP)
- (72) Inventors: **Takumi Kaiya**, Tokyo (JP); **Akinori Tsujikawa**, Tokyo (JP); **Hiroyuki Tanaka**, Tokyo (JP)
- (73) Assignee: **Fujitsu Frontech Limited**, Tokyo (JP)
- (\*\*) Term: **15 Years**
- (21) Appl. No.: **29/584,661**
- (22) Filed: **Nov. 16, 2016**
- (30) **Foreign Application Priority Data**

Jun. 10, 2016 (JP) ..... 2016-12507

- (51) **LOC (11) Cl.** ..... **14-02**
- (52) **U.S. Cl.**  
USPC ..... **D14/407**

- (58) **Field of Classification Search**  
USPC ..... D14/356-358, 383-385, 420, 426, 427, D14/432-439, 447, 453, 454, 217, 253, D14/299, 402, 407, 307; D13/107, 108, D13/133, 146, 147, 152, 154, 156, 158, D13/162, 162.1, 168, 173, 177, 102; 235/441, 451, 492, 380, 439, 375; 361/679.31, 600, 679.01, 679.02  
CPC ..... G07C 9/00103; G07C 9/00039; G07C 9/00904; G06K 5/00; G06K 7/01  
See application file for complete search history.

- (56) **References Cited**  
U.S. PATENT DOCUMENTS

D284,284 S *	6/1986	Manock	.....	D13/171
D305,331 S *	1/1990	Esslinger	.....	D14/407
D480,725 S *	10/2003	Funato	.....	D14/383
D491,953 S *	6/2004	Arakaki	.....	D14/383

D534,535 S *	1/2007	Tzeng	.....	D14/407
D586,346 S *	2/2009	Robinson	.....	D14/383
D590,399 S *	4/2009	Chen	.....	D14/402
D648,722 S *	11/2011	Meyerhoffer	.....	D14/341
D662,096 S *	6/2012	Yu	.....	D14/407
D671,943 S *	12/2012	Dizac	.....	D14/407
D726,727 S *	4/2015	Holz	.....	D14/407
D727,321 S *	4/2015	LaBorde	.....	D14/383
D727,901 S *	4/2015	Nishimura	.....	D14/383
D757,728 S *	5/2016	Schoeck	.....	D14/407
D757,729 S *	5/2016	Schoeck	.....	D14/407
D761,260 S *	7/2016	Luo	.....	D14/383
D766,242 S *	9/2016	Moon	.....	D14/407
D784,332 S *	4/2017	Hsu	.....	D14/383
D784,333 S *	4/2017	Hsu	.....	D14/383
D784,334 S *	4/2017	Tehranchi	.....	D14/383
D816,675 S *	5/2018	Kaiya	.....	D14/402
D826,870 S *	8/2018	Cote	.....	D13/164

\* cited by examiner

*Primary Examiner* — Austin Murphy

(74) *Attorney, Agent, or Firm* — Schwegman Lundberg & Woesner, P.A.

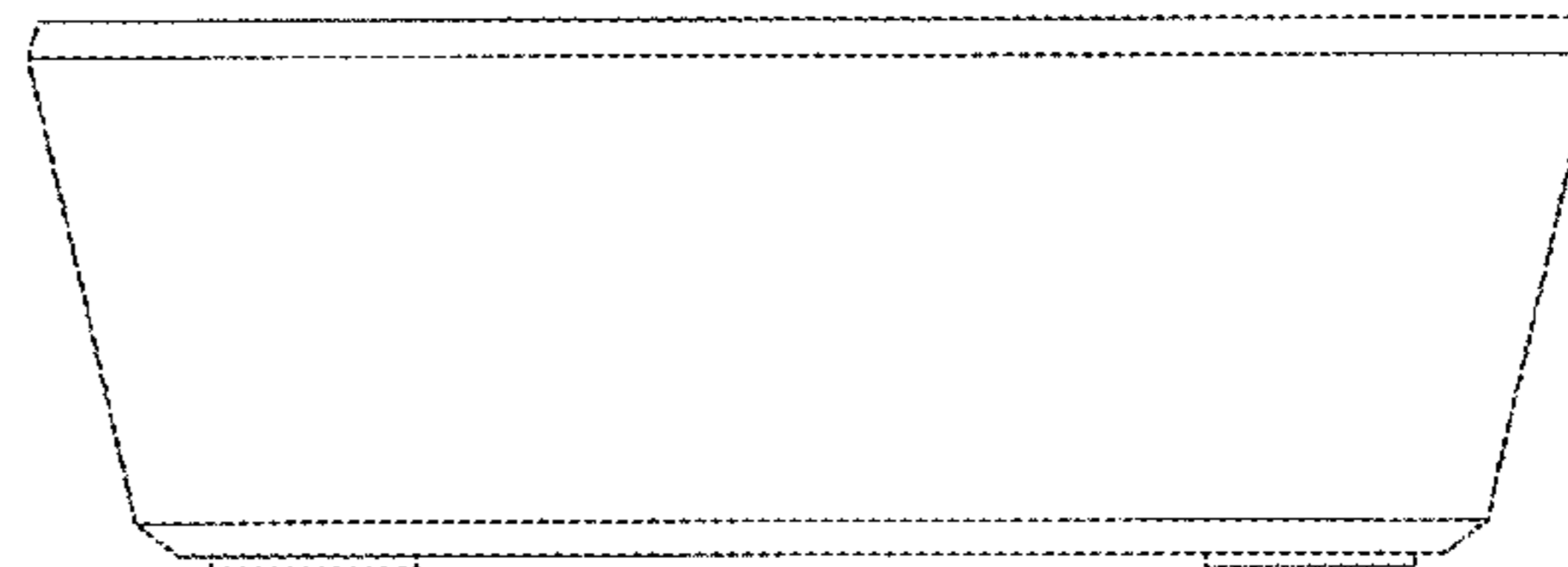
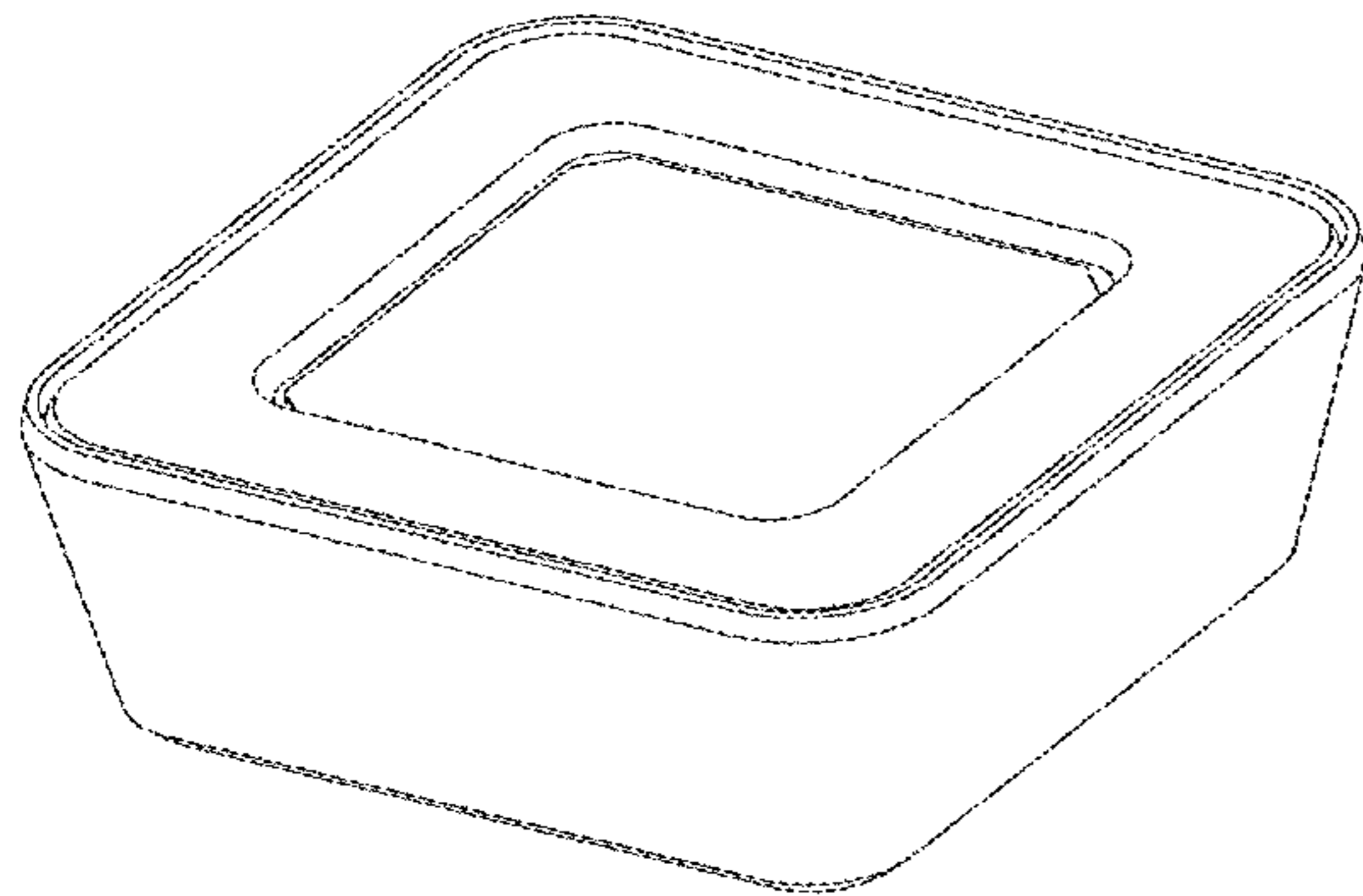
(57) **CLAIM**

The ornamental design for a data input machine, as shown and described.

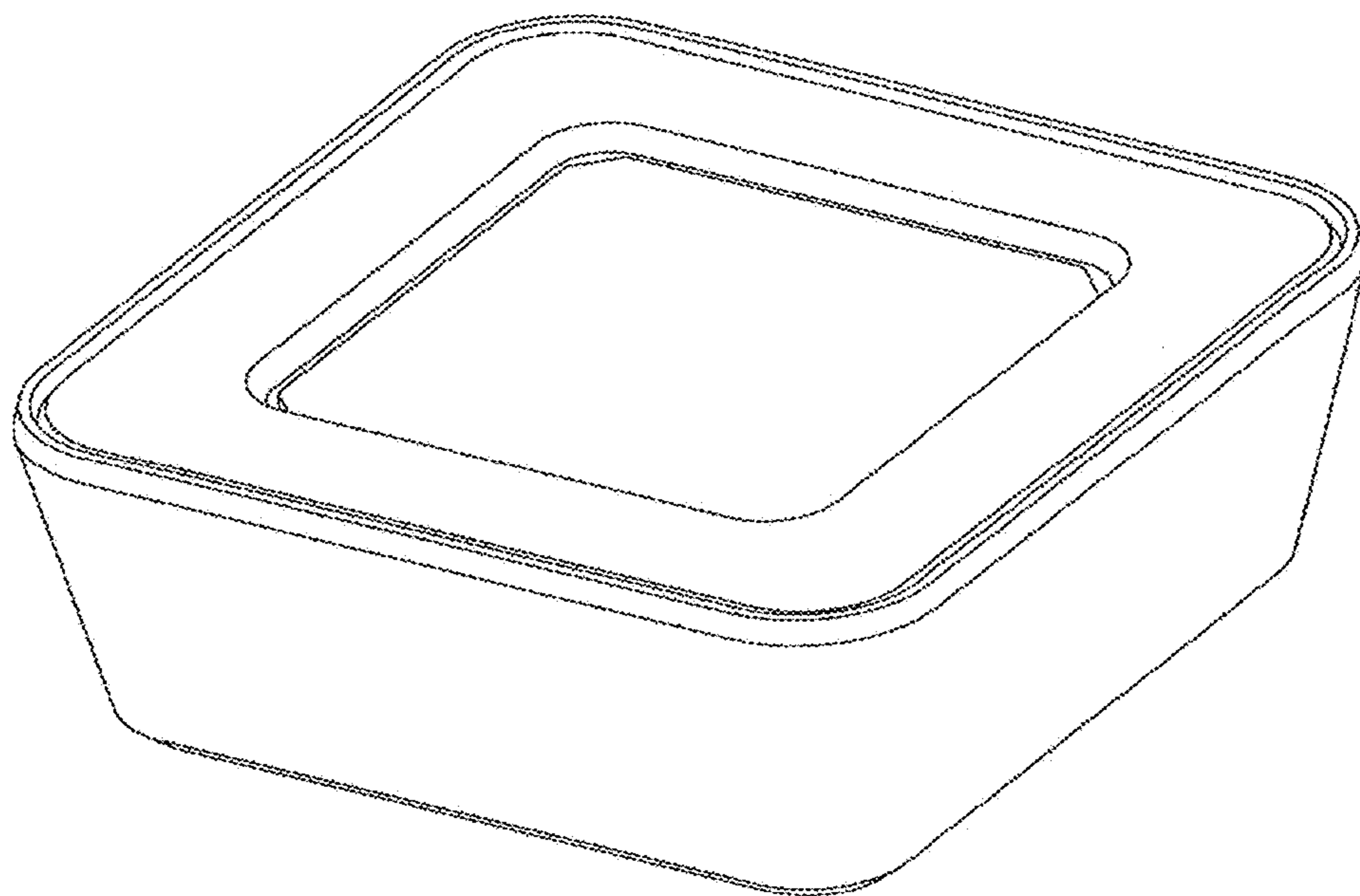
**DESCRIPTION**

FIG. 1 is a perspective view of a data input machine showing our new design;  
 FIG. 2 is a front elevational view thereof;  
 FIG. 3 is a rear elevational view thereof;  
 FIG. 4 is a right side elevational view thereof;  
 FIG. 5 is a left side elevational view thereof;  
 FIG. 6 is a top plan view thereof;  
 FIG. 7 is a bottom plan view thereof; and,  
 FIG. 8 is sectional view taken from 8-8 in FIG. 3.  
 The features shown in broken lines depict environmental subject matter only and form no part of the claimed design.

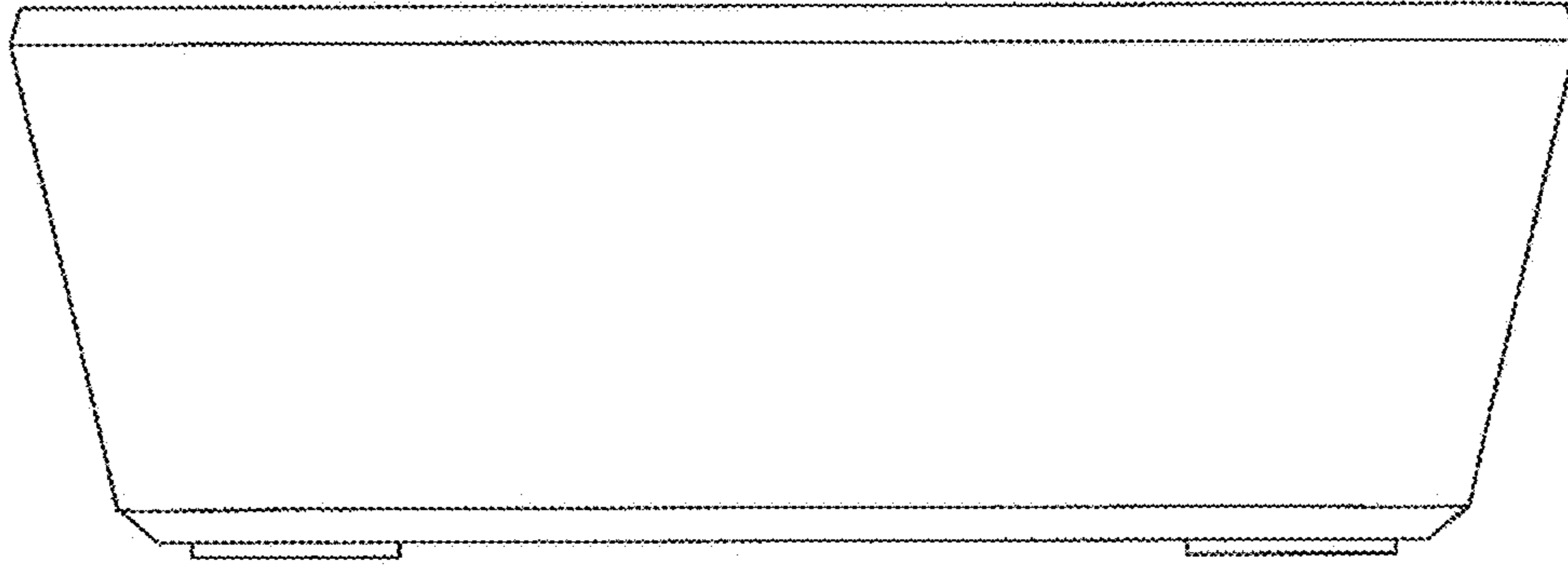
**1 Claim, 8 Drawing Sheets**



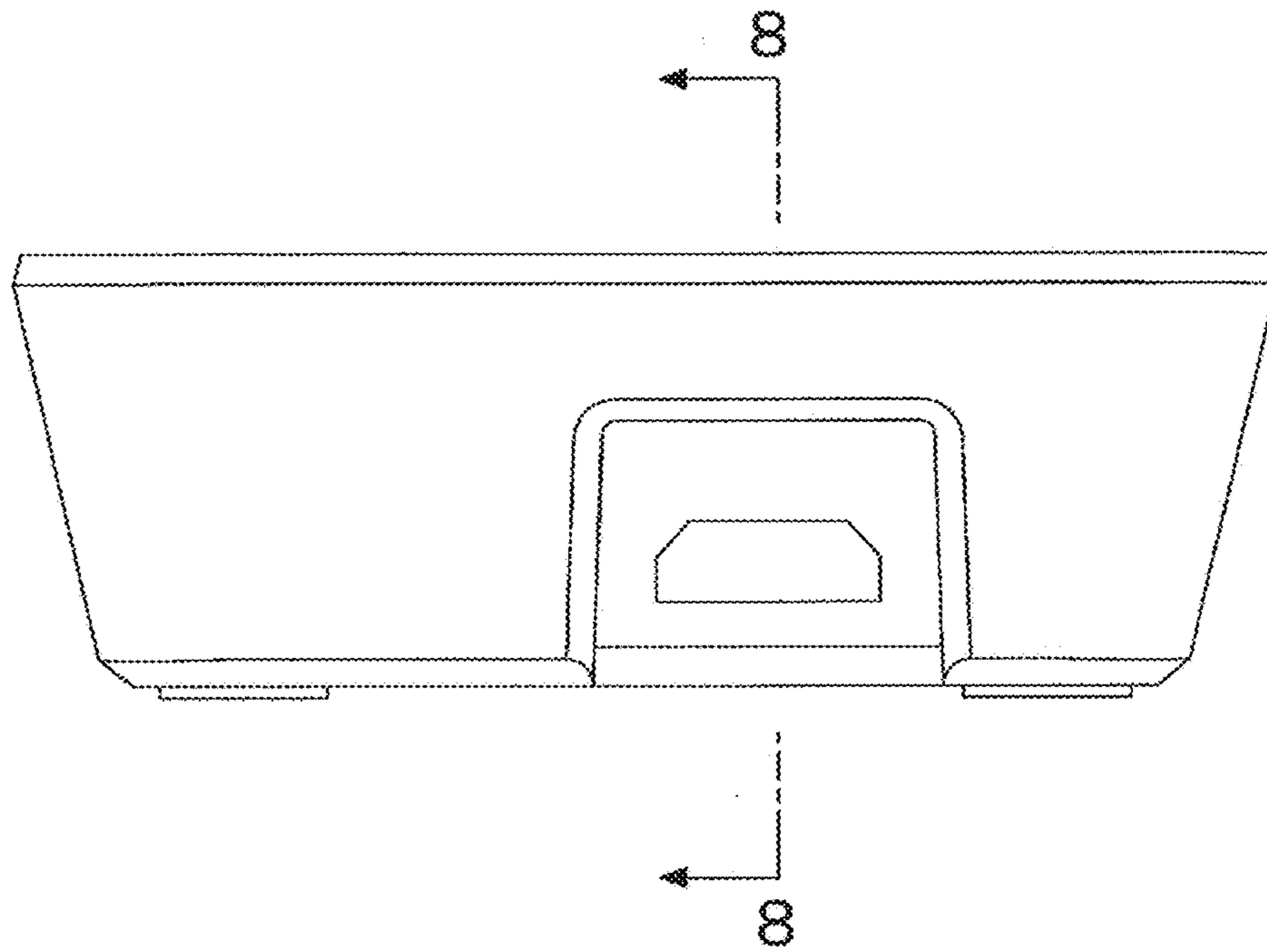
[FIG. 1]



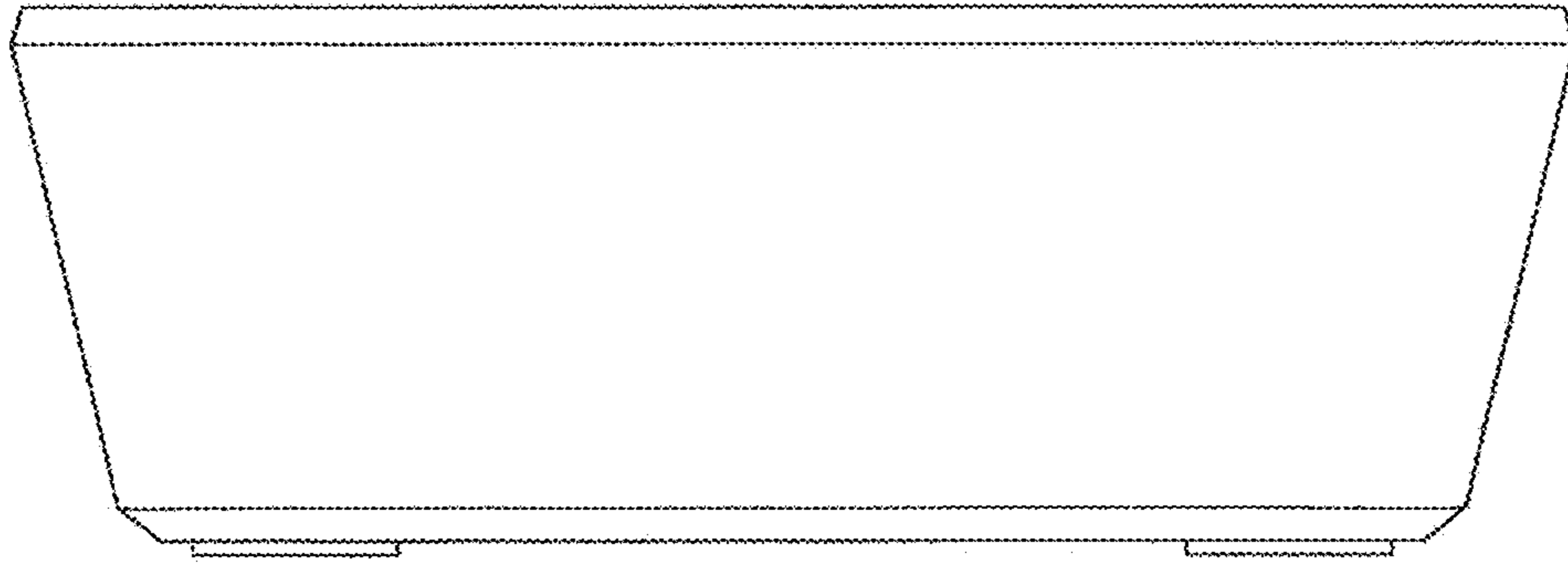
[FIG.2]



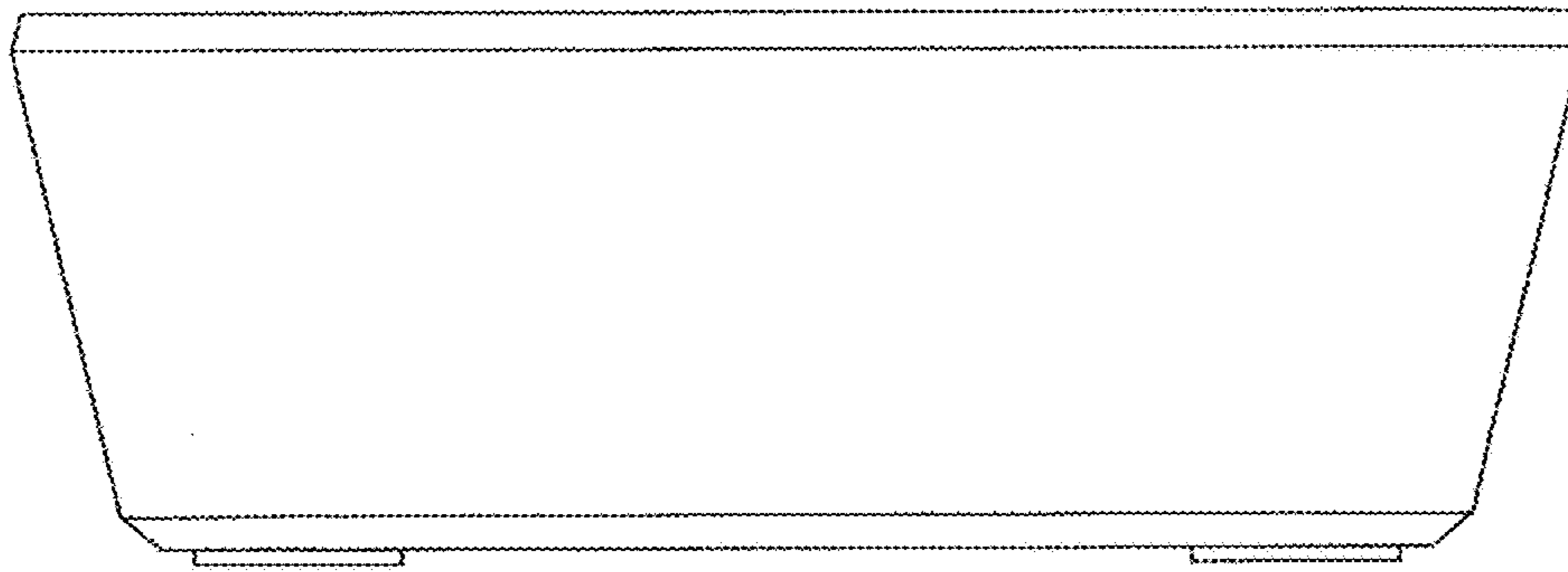
[FIG. 3]



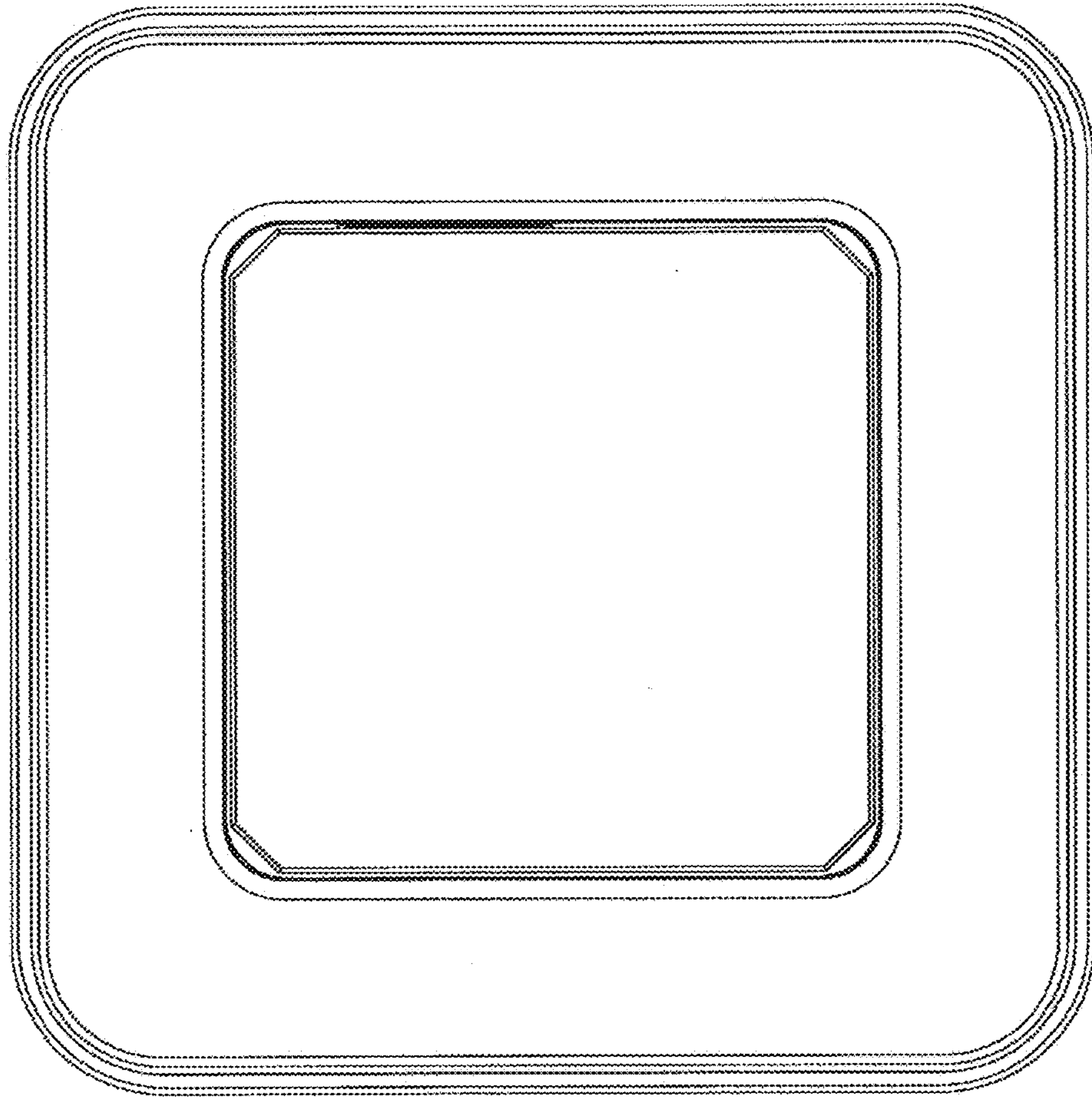
[FIG.4]



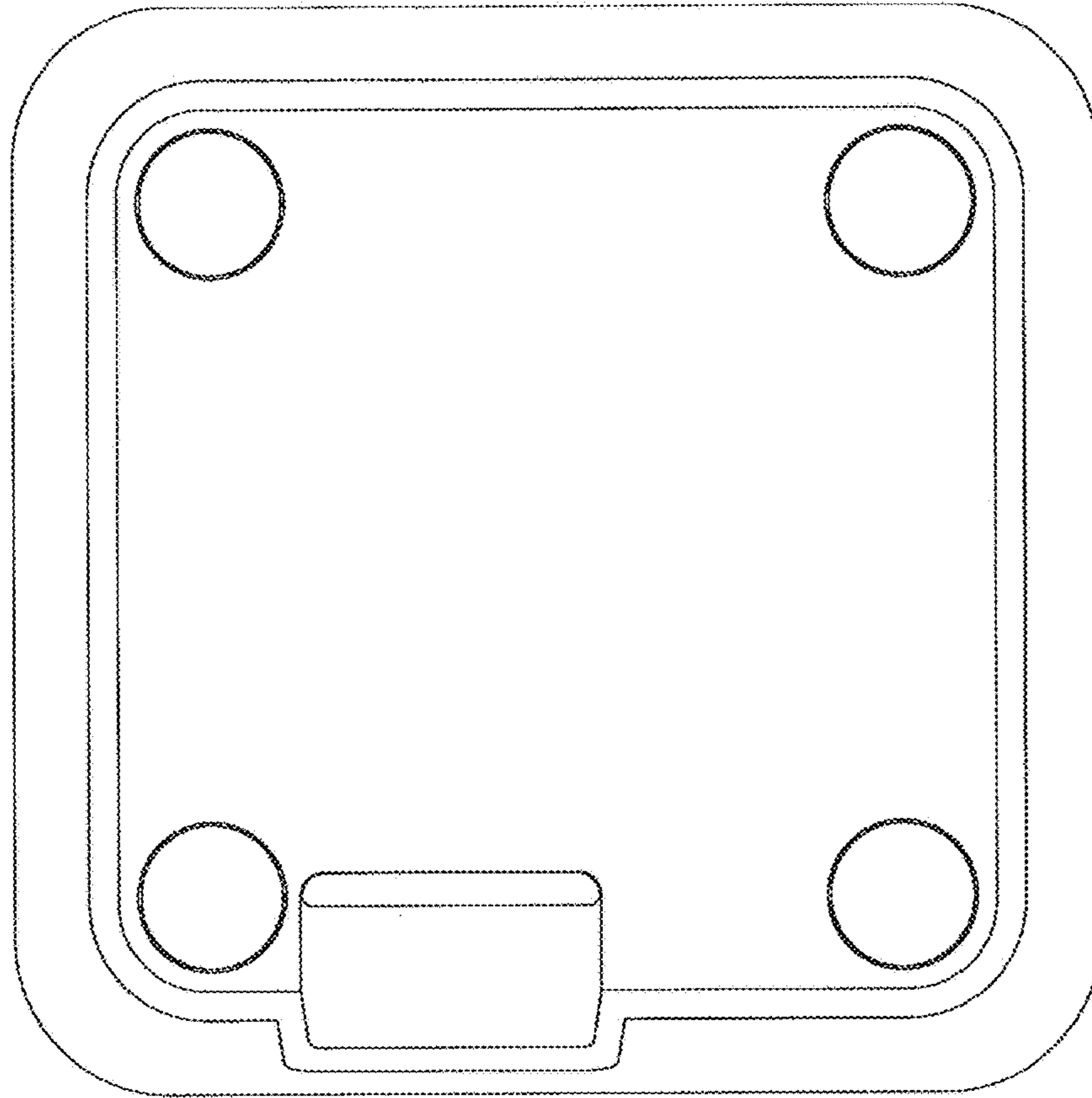
[FIG.5]



[FIG. 6]



[FIG. 7]





[FIG. 8]

