



US00D837211S

(12) **United States Design Patent**
Peng et al.

(10) **Patent No.:** **US D837,211 S**
(45) **Date of Patent:** **** Jan. 1, 2019**

(54) **STORAGE DEVICE**

(71) Applicant: **Western Digital Technologies, Inc.**,
Irvine, CA (US)

(72) Inventors: **Steven T. Peng**, Irvine, CA (US); **Mark Sterzick**, Torrance, CA (US)

(73) Assignee: **WESTERN DIGITAL TECHNOLOGIES, INC.**, Irvine, CA (US)

(**) Term: **15 Years**

(21) Appl. No.: **29/566,048**

(22) Filed: **May 26, 2016**

Related U.S. Application Data

(62) Division of application No. 29/507,576, filed on Oct. 29, 2014.

(51) **LOC (11) Cl.** **14-02**

(52) **U.S. Cl.**
USPC **D14/365**

(58) **Field of Classification Search**
USPC D14/300–302, 314, 348–370, 383–385, D14/435, 496, 125, 135, 155, 240–242, D14/299; D13/103, 119, 162, 184, 199; D3/273; D9/432, 434; D10/65, 75, 78
CPC ... G11B 33/027; G11B 33/122; G11B 33/124; G11B 33/022; G11B 33/025
See application file for complete search history.

(56) **References Cited**

U.S. PATENT DOCUMENTS

2,438,108 A	3/1948	Barler et al.
D179,493 S	1/1957	Sackler
D210,588 S	3/1968	Mazza
D224,320 S	7/1972	Davis et al.
D226,565 S	3/1973	Klepa et al.
D243,959 S	4/1977	Clayton et al.

D250,019 S	10/1978	Pycha et al.
4,596,436 A	6/1986	Kraemer et al.
D295,976 S	5/1988	Aremka et al.
4,754,397 A	6/1988	Varaiya et al.
4,786,121 A	11/1988	Lyons
D304,323 S	10/1989	Cranston, III et al.
D309,602 S	7/1990	Makidera

(Continued)

OTHER PUBLICATIONS

Steven T. Peng, et al., U.S. Appl. No. 29/470,544, filed Oct. 22, 2013, 16 pages.

(Continued)

Primary Examiner — Rosemary K Tarcza
Assistant Examiner — Nathaniel D. Buckner

(74) *Attorney, Agent, or Firm* — Knobbe, Martens, Olson & Bear, LLP

(57) **CLAIM**

The ornamental design for a storage device, as shown and described.

DESCRIPTION

FIG. 1 is a top, front and side perspective view of an embodiment of the storage device embodying the new design.

FIG. 2 is a front view thereof.

FIG. 3 is a back view thereof.

FIG. 4 is a first side view thereof.

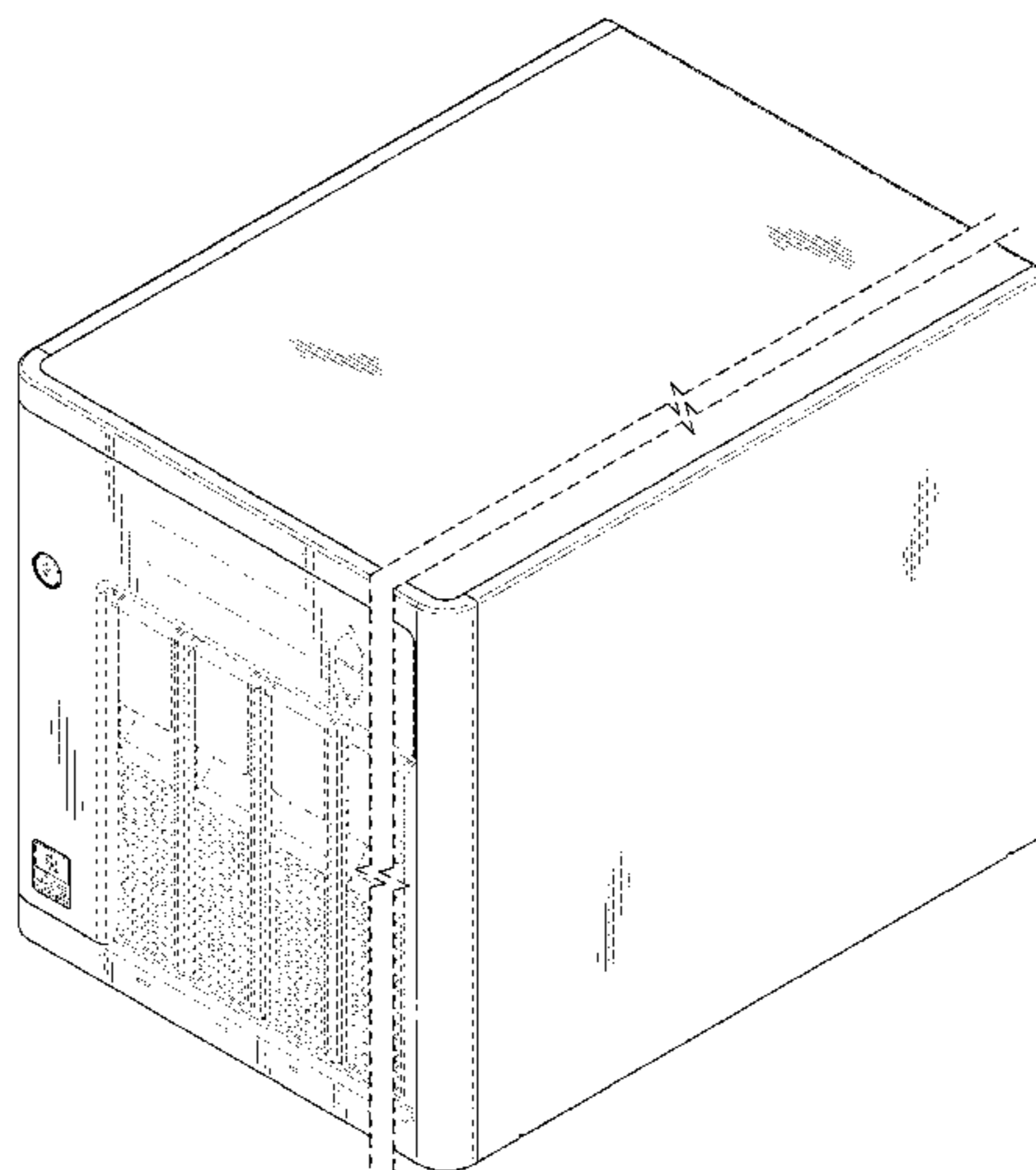
FIG. 5 is a second side view thereof.

FIG. 6 is a top view thereof; and,

FIG. 7 is a bottom view thereof.

The broken lines in the figures depict portions of the storage device which form no part of the claimed design. The storage device is shown with a symbolic break. The appearance of any portion of the storage device between the break lines of the symbolic break forms no part of the claimed design.

1 Claim, 7 Drawing Sheets



(56)

References Cited

U.S. PATENT DOCUMENTS

D310,354 S 9/1990 Moriconi et al.
 D314,189 S 1/1991 Horie
 D315,551 S 3/1991 Aderman
 D318,860 S 8/1991 Sawatani et al.
 D322,779 S 12/1991 Ito et al.
 D335,285 S 5/1993 Utsuki et al.
 D337,576 S 7/1993 Sharp
 D337,760 S 7/1993 Schneider
 5,248,193 A 9/1993 Schlemmer
 D350,333 S 9/1994 Sharp
 5,373,489 A 12/1994 Sato et al.
 D360,879 S 8/1995 Grönwall
 D377,785 S 2/1997 Rybarczyk et al.
 D380,200 S 6/1997 Hill
 D386,154 S 11/1997 Lee
 5,684,671 A 11/1997 Hobbs et al.
 D390,202 S 2/1998 Goto
 D392,622 S 3/1998 Lee
 D393,632 S 4/1998 Sherry
 D399,191 S 10/1998 Corrington et al.
 5,822,184 A 10/1998 Rabinovitz
 5,867,369 A 2/1999 Antonuccio et al.
 D422,572 S 4/2000 Oura et al.
 D425,495 S 5/2000 Chiodo et al.
 6,064,568 A 5/2000 Schmitt
 6,065,076 A 5/2000 Sorenson
 6,091,604 A 7/2000 Plougsgaard et al.
 D434,030 S 11/2000 Colprit et al.
 D435,559 S 12/2000 Tanaka
 D442,585 S 5/2001 Toussi et al.
 D454,872 S 3/2002 Tanaka
 D456,404 S 4/2002 Small et al.
 6,450,597 B1 9/2002 Bell et al.
 6,480,398 B1 11/2002 Fiora et al.
 6,549,398 B2 4/2003 Chen
 D481,385 S 10/2003 Tanaka
 D481,388 S 10/2003 Tanaka
 D492,683 S 7/2004 Nishio et al.
 D543,542 S 5/2007 Ng et al.
 D545,306 S 6/2007 Lauffer et al.
 D549,702 S 8/2007 Kim et al.
 D551,652 S 9/2007 Nakamura
 D558,817 S 1/2008 Katayama
 D563,994 S 3/2008 Liu
 D568,881 S 5/2008 Hsiau
 D577,719 S 9/2008 Kobeli et al.
 D581,412 S 11/2008 Yang

D592,649 S 5/2009 L'Henaff et al.
 D602,019 S 10/2009 Wang et al.
 D602,934 S 10/2009 Cao et al.
 7,599,176 B1 10/2009 Moisson
 D604,731 S 11/2009 Minehart et al.
 D606,066 S 12/2009 Lee
 D608,359 S 1/2010 Yu
 D609,232 S 2/2010 Wang et al.
 D621,282 S 8/2010 Yagi
 D625,718 S 10/2010 Lee
 D635,563 S 4/2011 Brusca et al.
 D641,364 S 7/2011 McParland
 D642,581 S 8/2011 McClelland, II et al.
 D647,902 S 11/2011 Kihl et al.
 8,198,553 B2 6/2012 Durst et al.
 8,215,727 B2 7/2012 Barrall et al.
 D689,050 S 9/2013 Chong et al.
 D695,289 S 12/2013 Yamazaki
 D707,224 S 6/2014 Bae et al.
 D707,667 S 6/2014 Kono et al.
 8,902,579 B1 12/2014 Lalouette
 D740,282 S 10/2015 Peng et al.
 D741,850 S 10/2015 Cheng et al.
 D750,033 S * 2/2016 Privitera D13/184
 D752,458 S * 3/2016 Blanc-Tailleur D10/75
 D760,222 S * 6/2016 Peng D14/358
 D760,647 S * 7/2016 Chen D13/103
 D762,164 S * 7/2016 Lin D13/103
 D768,625 S 10/2016 Lucaci et al.
 D772,173 S * 11/2016 Takano D13/162
 D778,843 S * 2/2017 Gronqvist D13/162
 D780,749 S 3/2017 Peng et al.
 D788,097 S * 5/2017 Koike D13/184
 D790,453 S * 6/2017 Tinius D13/103
 D795,215 S * 8/2017 Huang D13/184
 D801,291 S * 10/2017 Gerber D13/184
 2003/0026067 A1 2/2003 Rubenstein et al.
 2004/0001313 A1 1/2004 Yoshikara
 2011/0069436 A1 3/2011 Jian
 2012/0307456 A1 12/2012 Cao

OTHER PUBLICATIONS

Notice of Allowance dated Jun. 18, 2015 from U.S. Appl. No. 29/470,544, 7 pages.
 Higgins, Tim, "New to the Charts: WO DX4000 Sentinel," <http://www.smallnetbuilder.com/nas/nas-reviews/31628-new-to-the-charts-wd-dx4000-sentinel>, Nov. 16, 2011, pp. 1-9.

* cited by examiner

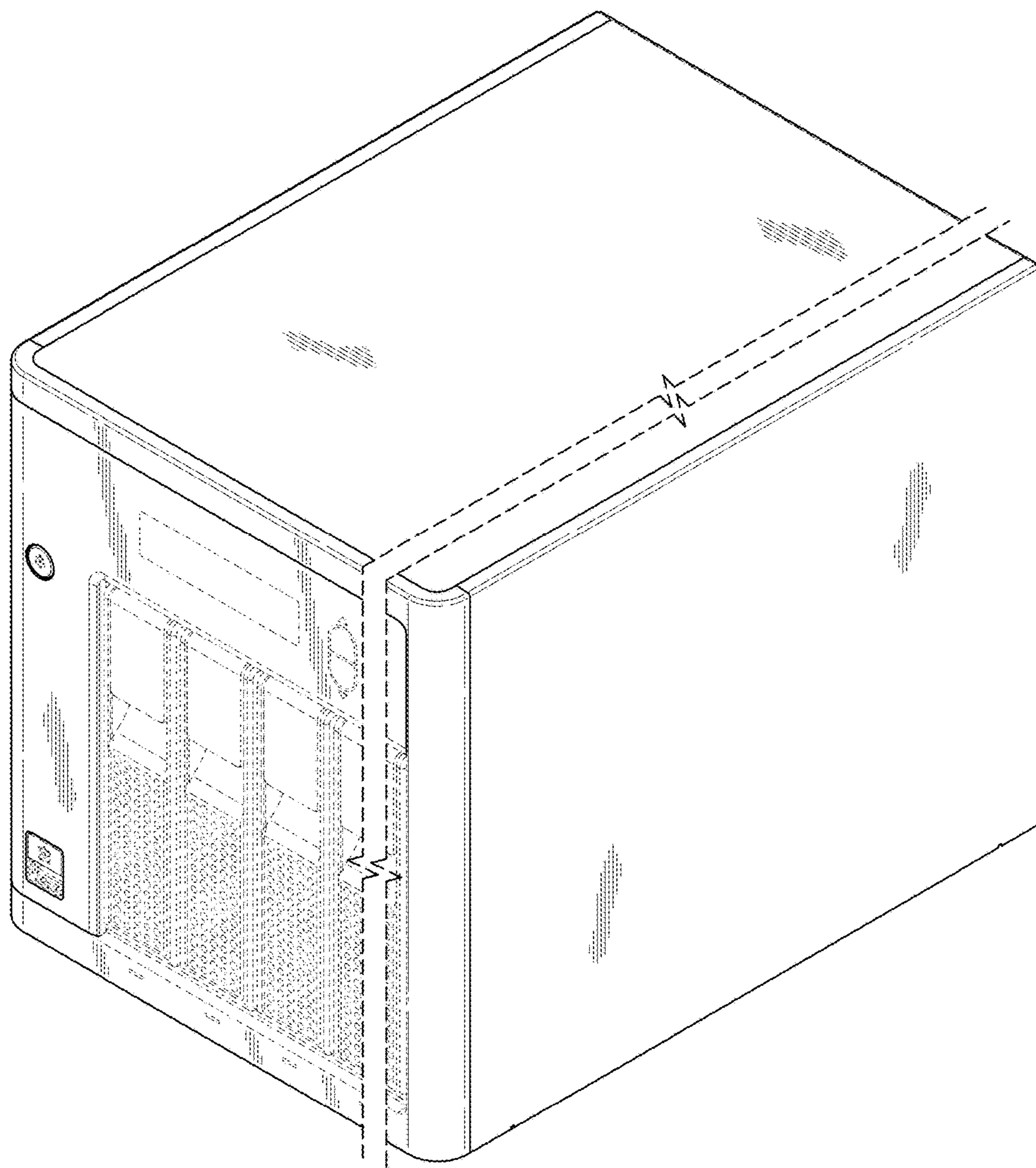


FIG. 1

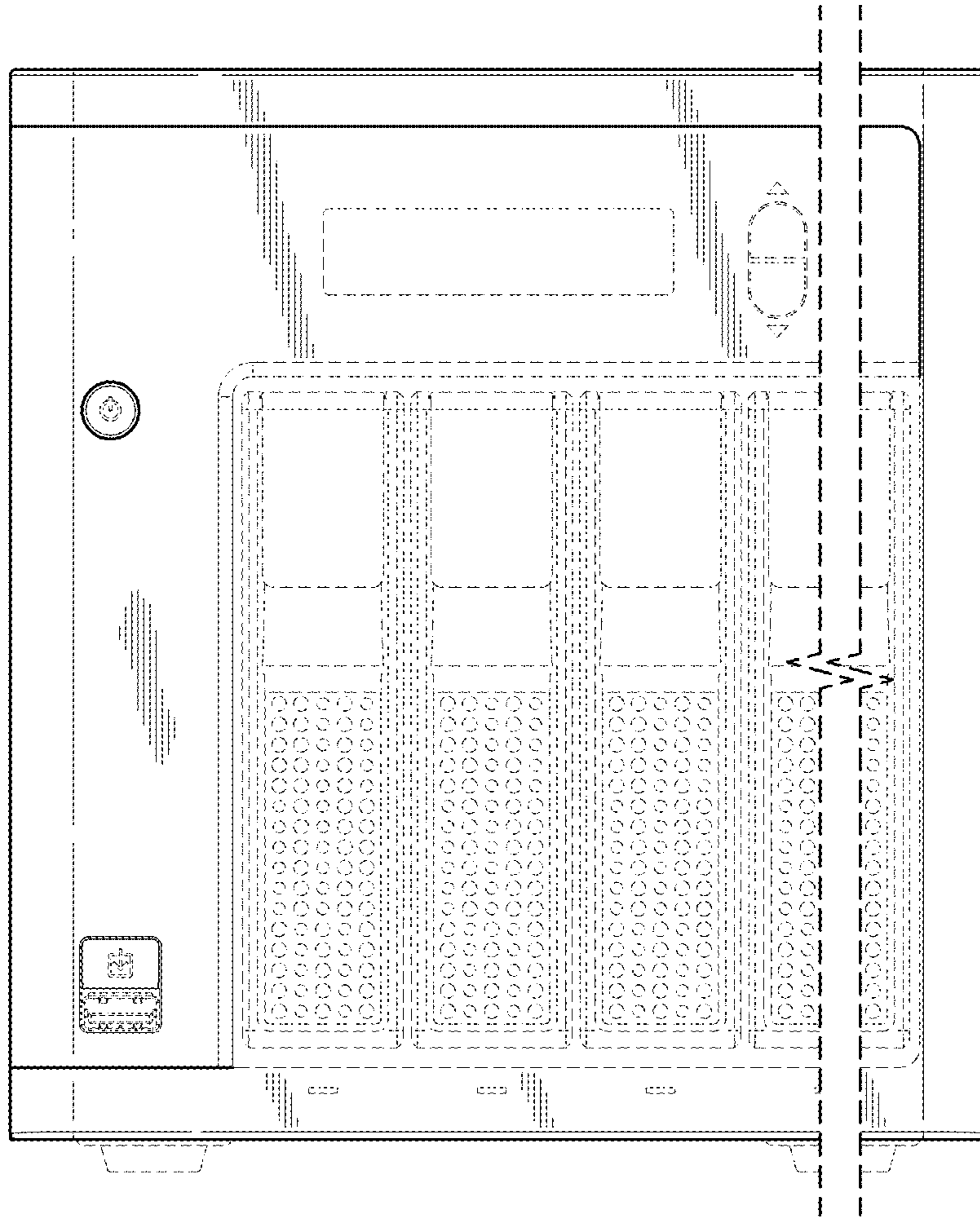


FIG. 2

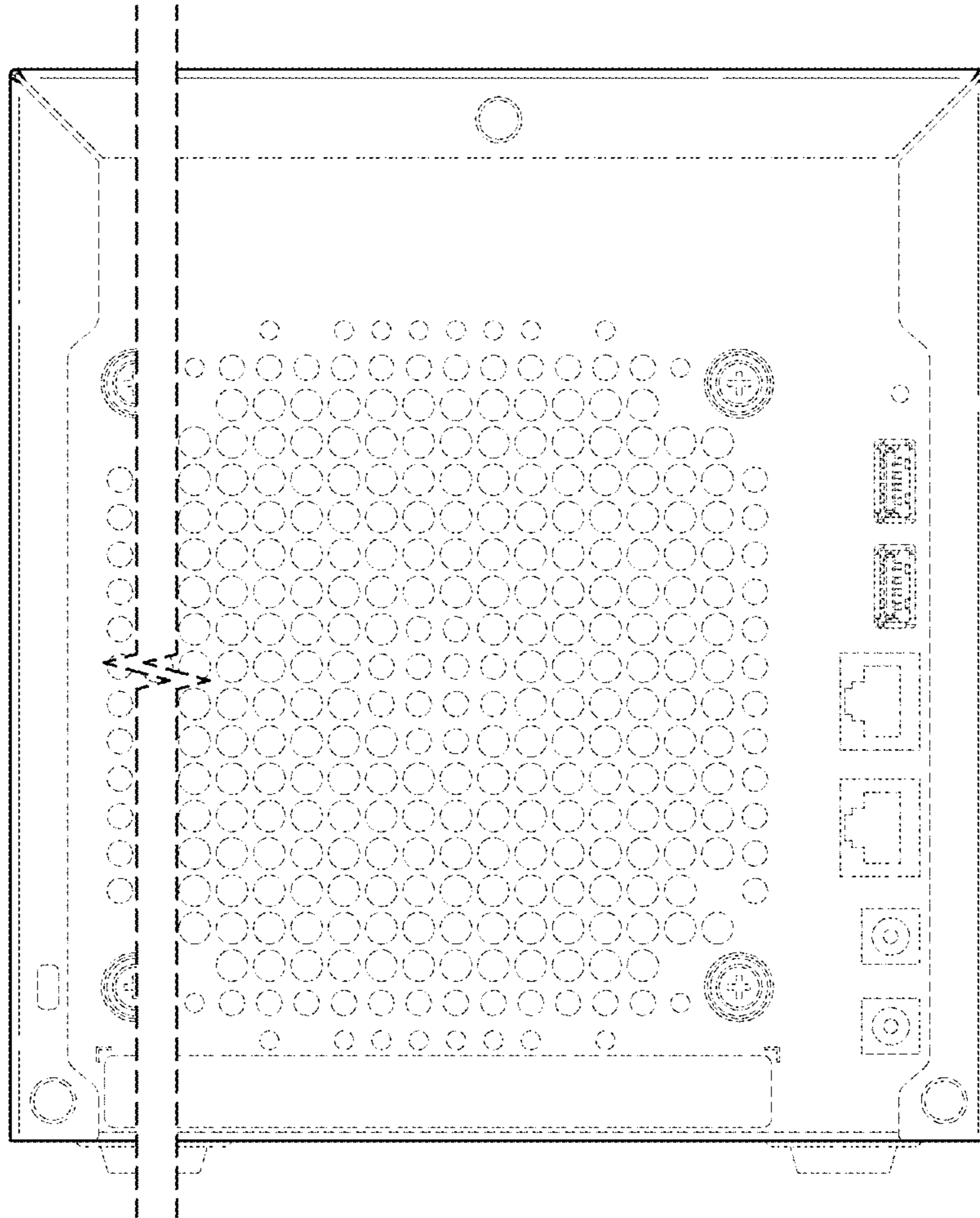


FIG. 3

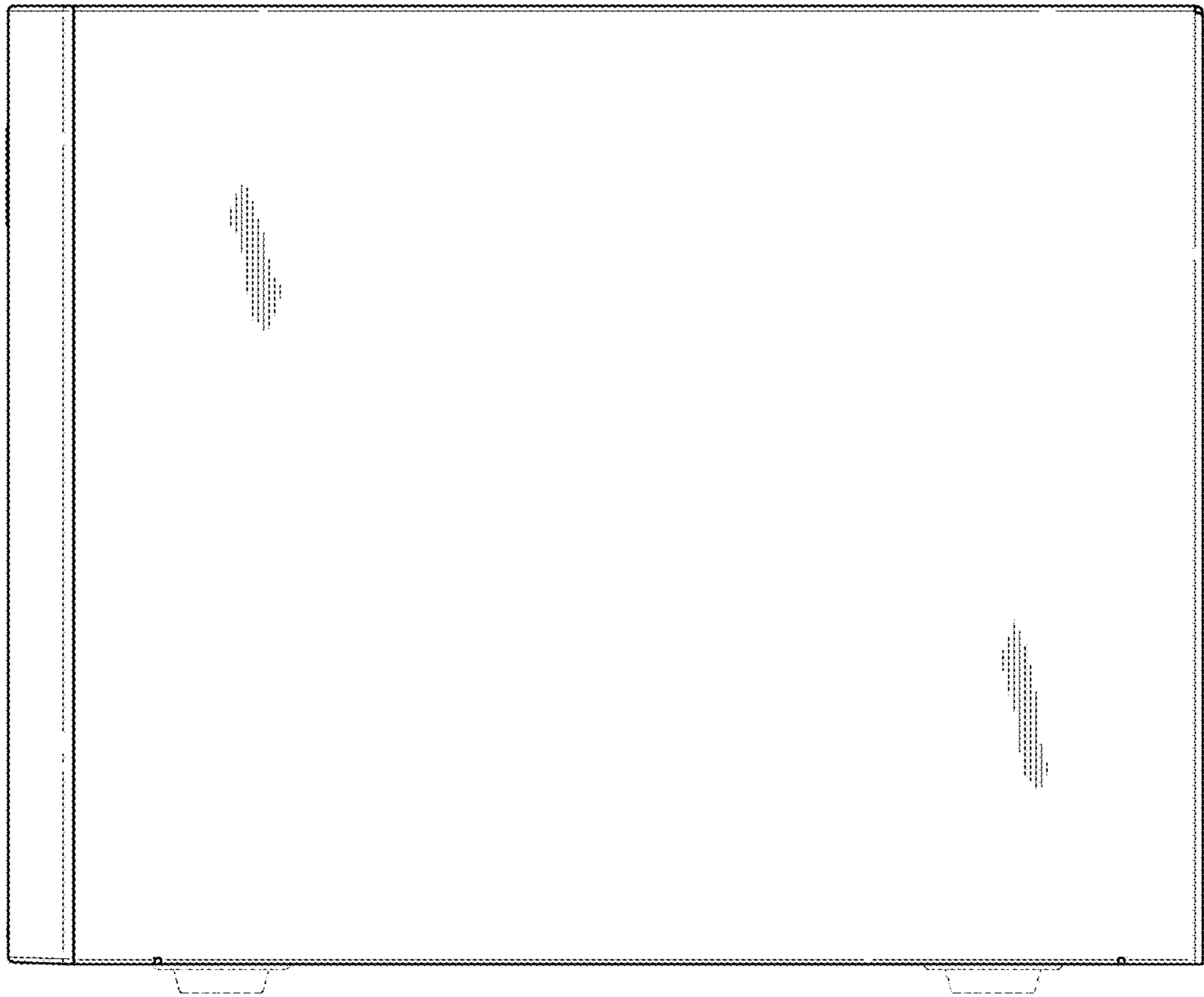


FIG. 4



FIG. 5

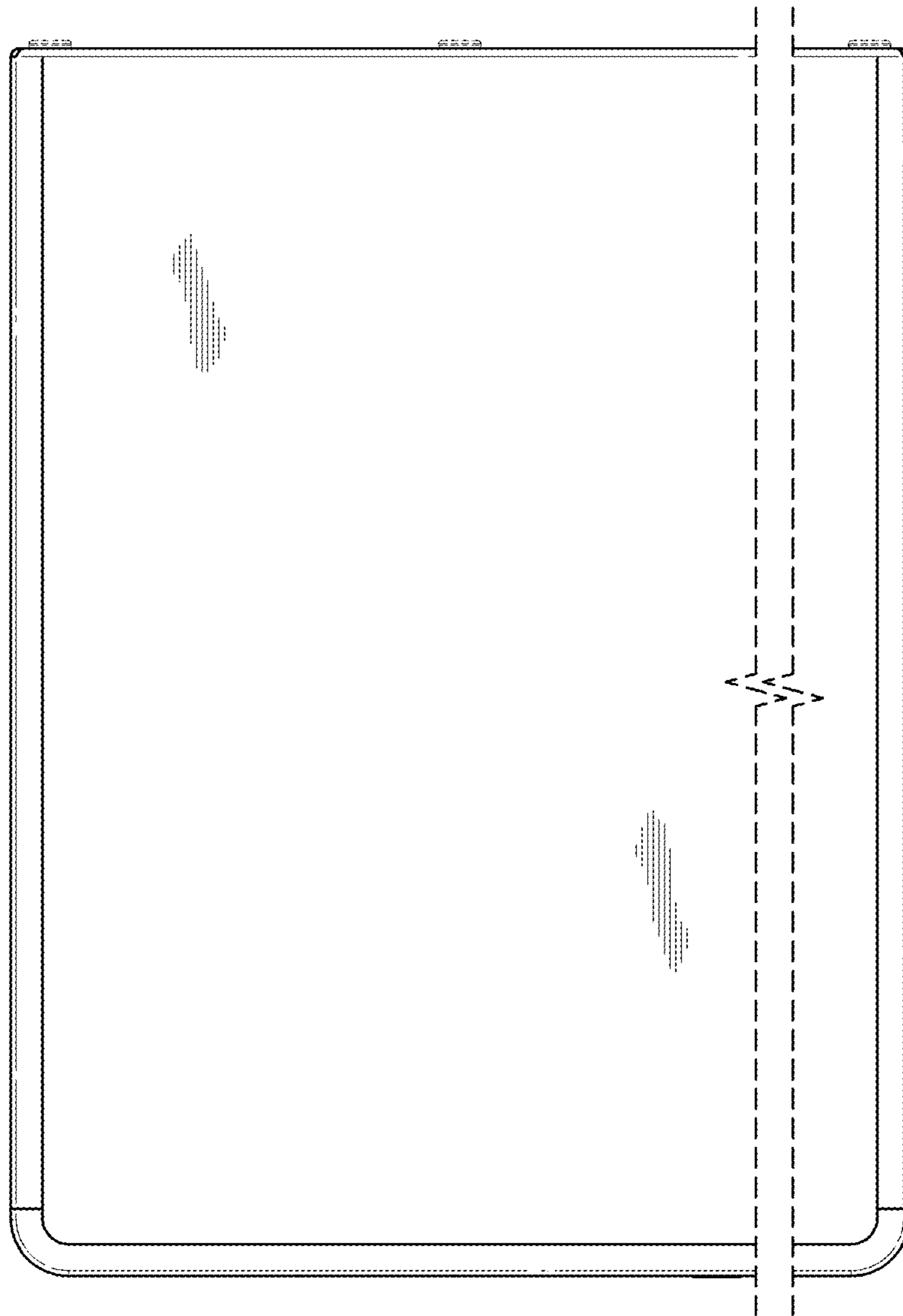


FIG. 6

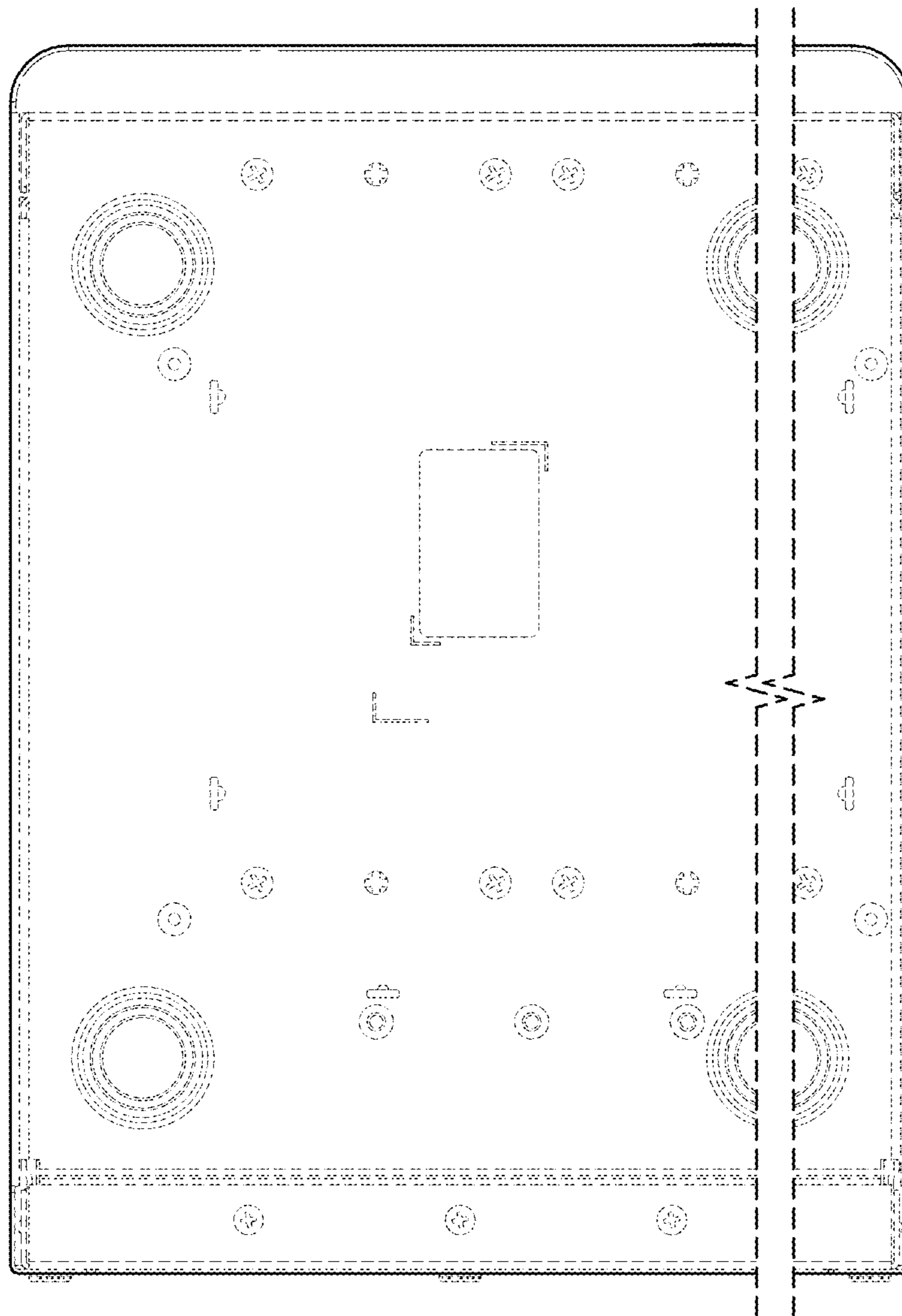


FIG. 7