



US00D837209S

(12) **United States Design Patent**
Ali et al.

(10) **Patent No.:** **US D837,209 S**
(45) **Date of Patent:** **** Jan. 1, 2019**

(54) **COMMUNICATIONS BASE STATION**

(71) Applicant: **Facebook, Inc.**, Menlo Park, CA (US)

(72) Inventors: **Kashif Ali**, Emeryville, CA (US);
Philip Bourgeois, Woodside, CA (US);
Charles Putland, Ben Lomond, CA (US);
Aaron Neuhauser, Portland, OR (US)

(73) Assignee: **Facebook, Inc.**, Menlo Park, CA (US)

(**) Term: **15 Years**

(21) Appl. No.: **29/605,610**

(22) Filed: **May 26, 2017**

Related U.S. Application Data

(62) Division of application No. 29/568,469, filed on Jun. 17, 2016, now Pat. No. Des. 789,361.

(51) **LOC (11) Cl.** **14-02**

(52) **U.S. Cl.**
USPC **D14/358**

(58) **Field of Classification Search**
USPC D14/125, 138 C, 138 R, 140.1, 155, 159,
D14/167, 230, 231, 232, 233, 234, 235,
D14/236, 237, 238, 240, 242, 243, 299,
D14/348, 349, 351, 353, 354, 355, 356,
D14/357, 358, 367, 385, 433, 435, 436,
D14/474, 480, 496; D13/123, 184;
D10/75, 104.1
See application file for complete search history.

(56) **References Cited**

U.S. PATENT DOCUMENTS

5,533,029 A 7/1996 Gardner
D524,292 S 7/2006 Rak et al.
D538,245 S 3/2007 Heath
D539,252 S 3/2007 Heath

D568,312 S * 5/2008 Wang D14/356
D656,478 S 3/2012 Barley et al.
D660,827 S 5/2012 Sakata
D668,239 S 10/2012 Marsh
D679,676 S 4/2013 Sharp
D693,798 S * 11/2013 Chuang D14/240
D721,349 S 1/2015 Konagata et al.

(Continued)

FOREIGN PATENT DOCUMENTS

WO 0233786 A1 4/2002
WO 2014177930 A2 11/2014

OTHER PUBLICATIONS

Facebook Communications Base Station found online [Nov. 21, 2016] <http://www.telecomasia.net/blog/content/and-now-facebook-base-station-business-opencellular>.*

(Continued)

Primary Examiner — Brandon M Rosati

Assistant Examiner — John A Voytek

(74) *Attorney, Agent, or Firm* — FisherBroyles, LLP

(57) **CLAIM**

The ornamental design for a communications base station, as shown and described.

DESCRIPTION

FIG. 1 is a front isometric view of a communications base station showing our new design.

FIG. 2 is a front elevation view thereof.

FIG. 3 is a back elevation view thereof.

FIG. 4 is a left side elevation view thereof.

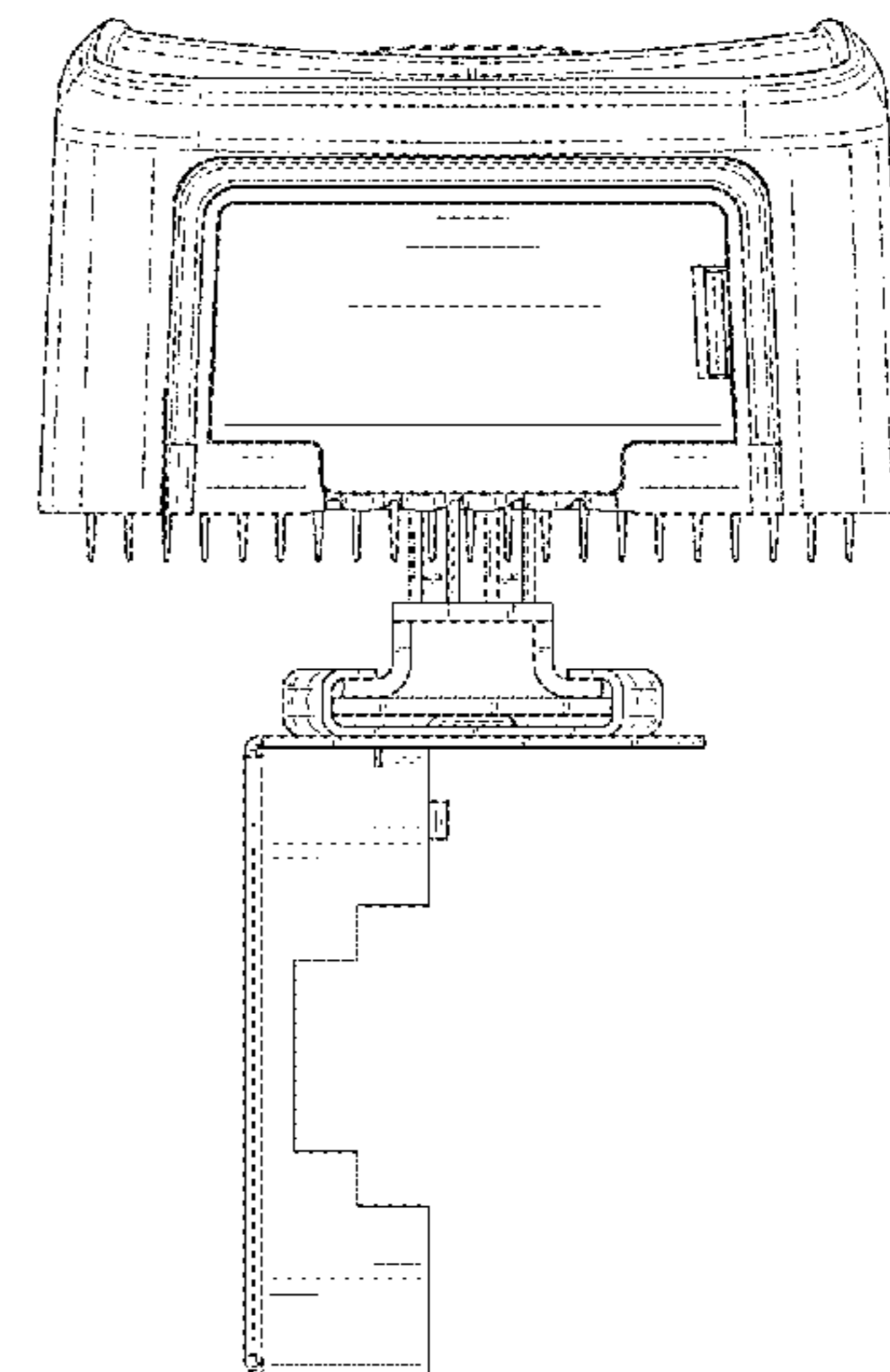
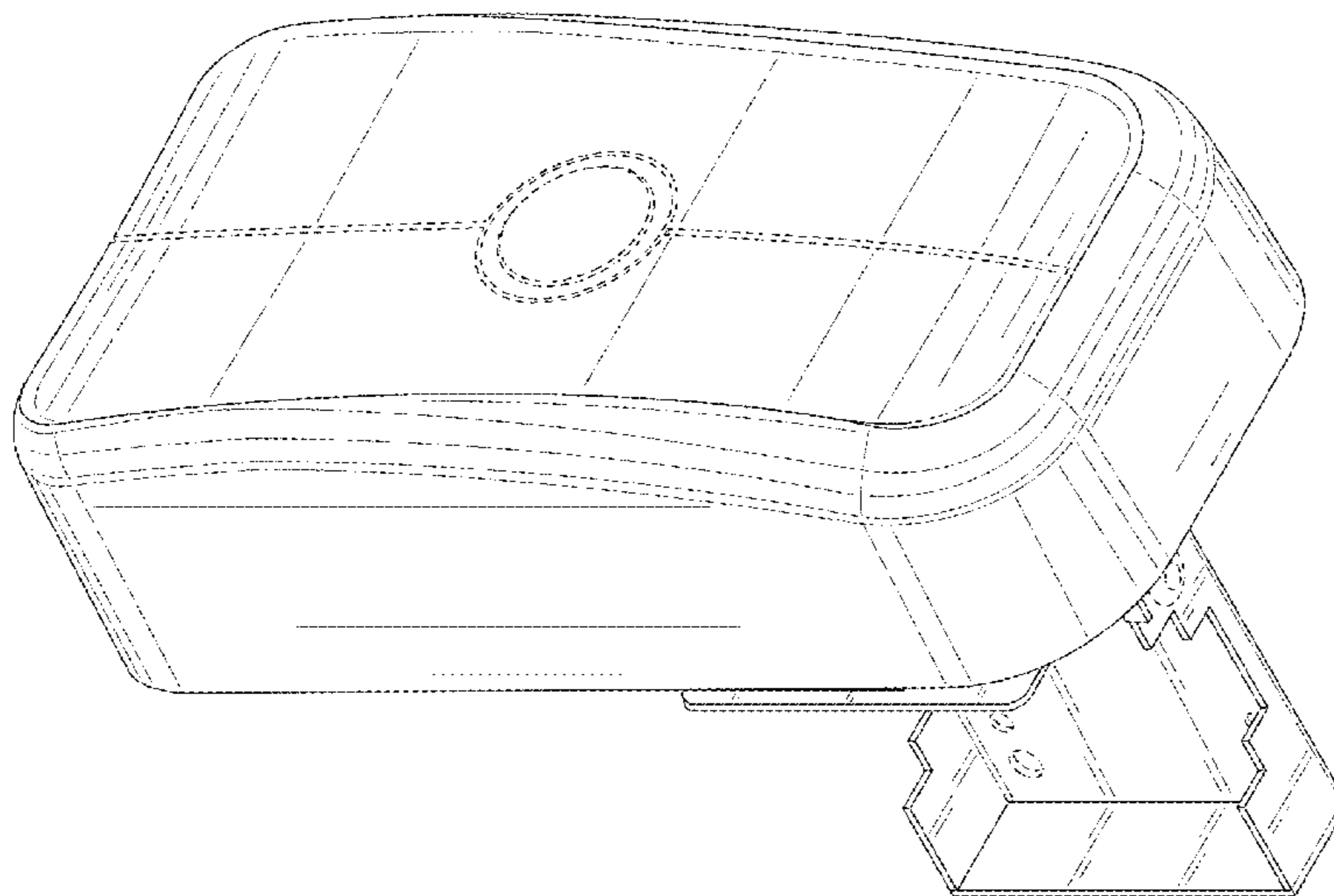
FIG. 5 is a right side elevation view thereof.

FIG. 6 is a top plan view thereof; and,

FIG. 7 is a bottom plan view thereof.

Any broken lines in the Figures are for illustrative purposes only and form no part of the claimed design.

1 Claim, 7 Drawing Sheets



(56)

References Cited

U.S. PATENT DOCUMENTS

D725,086 S	3/2015	Giczy	
D740,781 S	10/2015	Thomas	
D762,168 S	7/2016	Sandoval et al.	
D772,837 S	11/2016	Stabl et al.	
D789,361 S	6/2017	Putland et al.	
D791,767 S	7/2017	Ali et al.	
D798,296 S	9/2017	Ali et al.	
D816,057 S *	4/2018	Jue	D14/155
2011/0159469 A1 *	6/2011	Hwang	A61B 5/222 434/247
2011/0309996 A1	12/2011	Abumrad et al.	
2016/0173672 A1	6/2016	Boyce	
2017/0244158 A1	8/2017	Ali	

OTHER PUBLICATIONS

U.S. Appl. No. 29/608,450 by Ali, K., et al., filed Jun. 21, 2017.
 U.S. Appl. No. 29/608,452 by Ali, K., et al., filed Jun. 21, 2017.
 Restriction Requirement dated Jun. 21, 2017 for U.S. Appl. No. 15/433,828 by Ali, K., et al., filed Feb. 15, 2017.
 "And Now Facebook is in the base station business with OpenCellular," telecomasia.net, Jul. 8, 2016, 3 pages, found online [Nov. 21, 2016] <http://www.telecomasia.net/blog/content/and-now-facebook-base-station-business-opencellular>.
 Corrected Notice of Allowability dated Mar. 23, 2017 for U.S. Appl. No. 29/568,469, by Ali, K. et al., filed Jun. 17, 2016.

Corrected Notice of Allowability dated May 1, 2017 for U.S. Appl. No. 29/568,469, by Ali, K. et al., filed Jun. 17, 2016.
 Corrected Notice of Allowability dated May 3, 2017 for U.S. Appl. No. 29/568,468, by Ali, K. et al., filed Jun. 17, 2016.
 Non-Final Office Action dated Jan. 9, 2017, for U.S. Appl. No. 29/555,287 by Ali, K. et al., filed Feb. 29, 2016.
 Notice of Allowance dated Feb. 1, 2017 for U.S. Appl. No. 29/568,469, by Ali, K. et al., filed Jun. 17, 2016.
 Notice of Allowance dated Mar. 15, 2017 for U.S. Appl. No. 29/568,468, by Ali, K. et al., filed Jun. 17, 2016.
 Notice of Allowance dated May 5, 2017, for U.S. Appl. No. 29/555,287 by Ali, K. et al., filed Feb. 29, 2016.
 U.S. Appl. No. 15/433,828 by Ali, K., et al., filed Feb. 15, 2017.
 U.S. Appl. No. 29/555,287 by Ali, K., et al., filed Feb. 19, 2016.
 U.S. Appl. No. 29/568,468 by Ali, K., et al., filed Jun. 17, 2016.
 U.S. Appl. No. 29/568,469 by Ali, K., et al., filed Jun. 17, 2016.
 U.S. Appl. No. 29/605,603 by Ali, K., et al., filed May 26, 2017.
 Non-Final Office Action dated Oct. 13, 2017 for U.S. Appl. No. 15/433,828 by Ali, K. et al., filed Feb. 15, 2017.
 U.S. Appl. No. 29/618,740 by Ali, K., et al., filed Sep. 22, 2017.
 Corrected Notice of Allowability dated Aug. 22, 2017 for U.S. Appl. No. 29/555,287 by Ali, K., et al., filed Feb. 19, 2016.
 Partial European Search Report dated Jul. 12, 2017 for European Patent Application No. 17156711.8 by Facebook, Inc.
 Extended European Search Report dated Oct. 30, 2017 for European Patent Application No. 17156711.8 by Facebook, Inc.

* cited by examiner

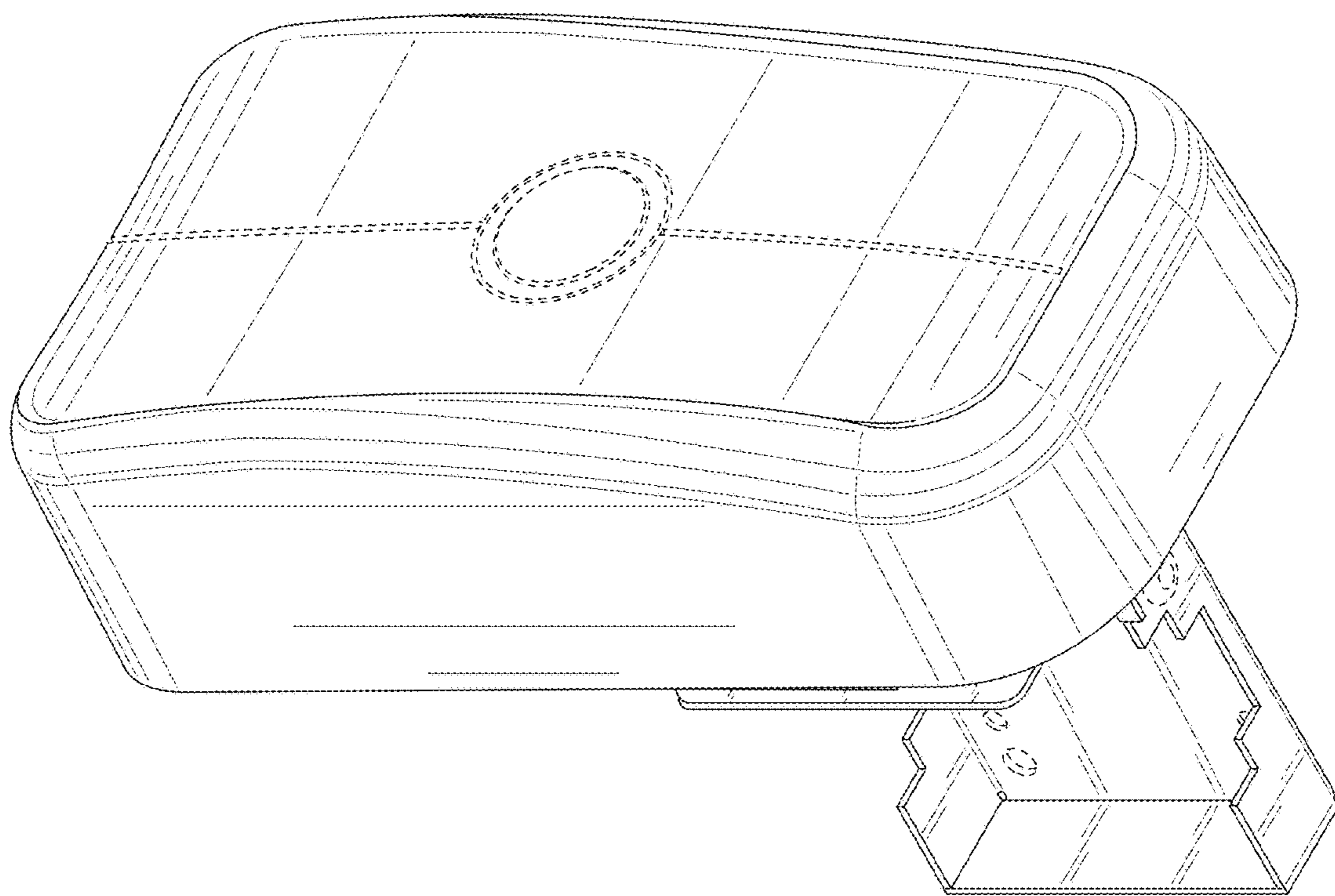


Fig. 1

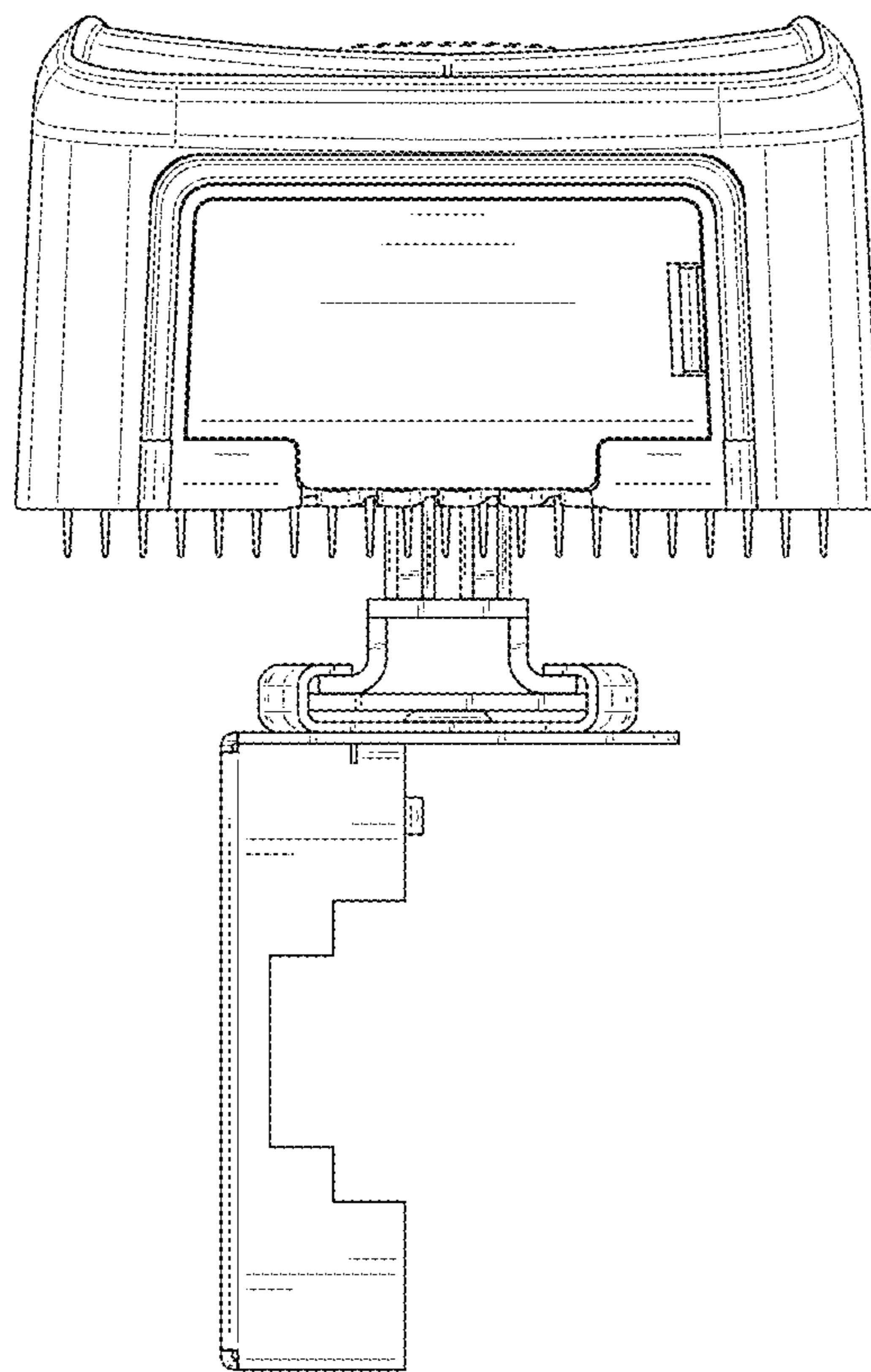


Fig. 2

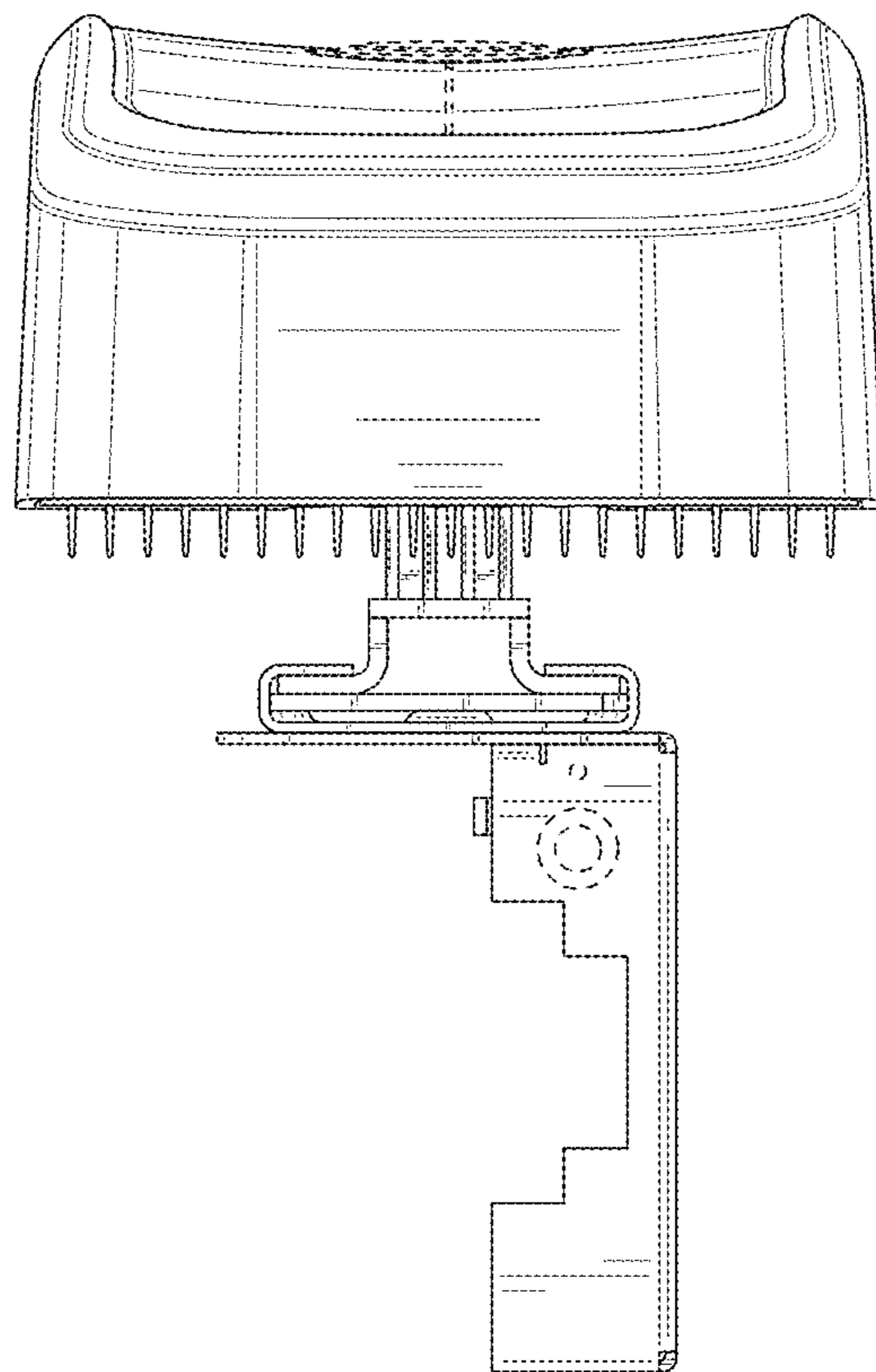


Fig. 3

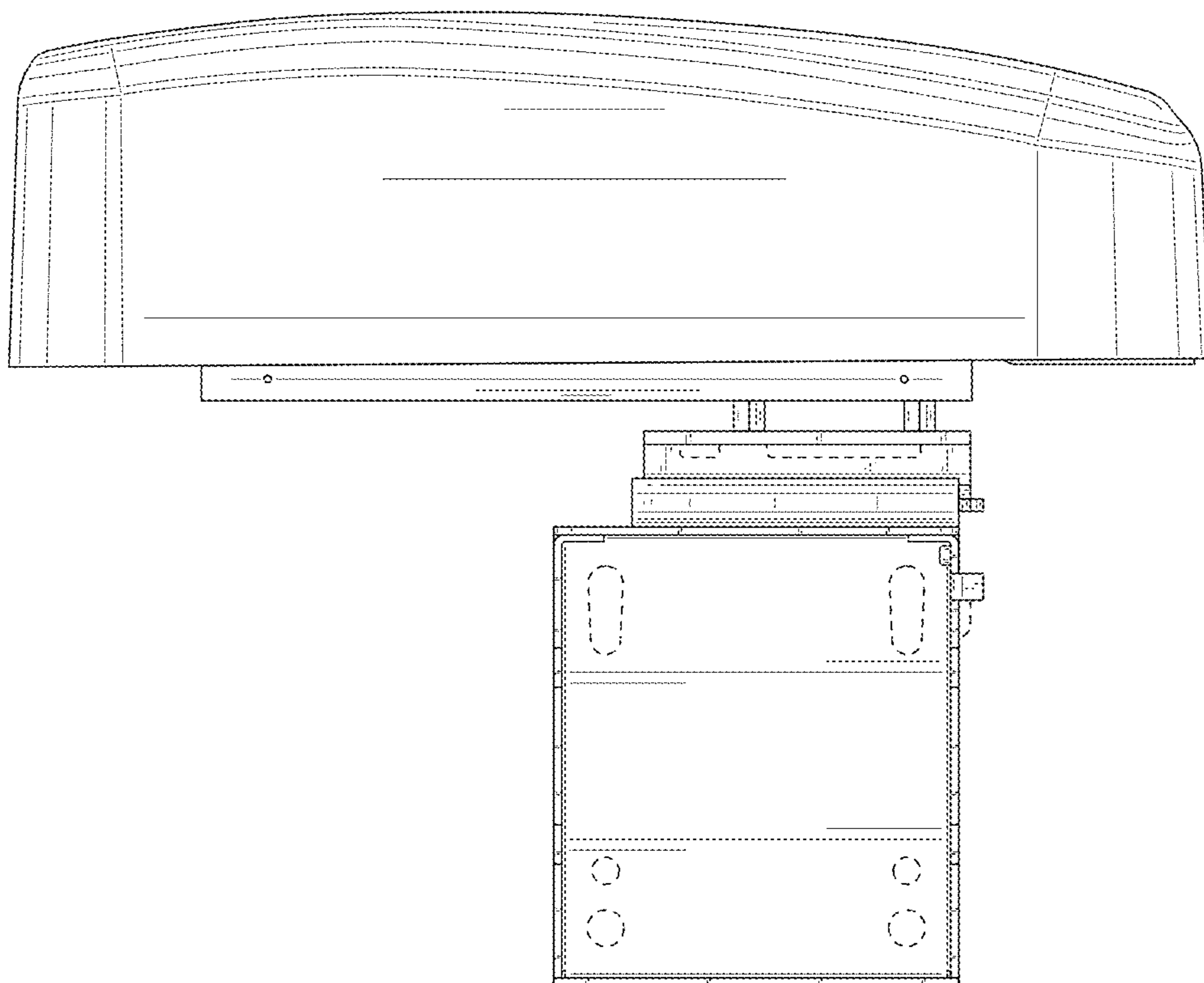


Fig. 4

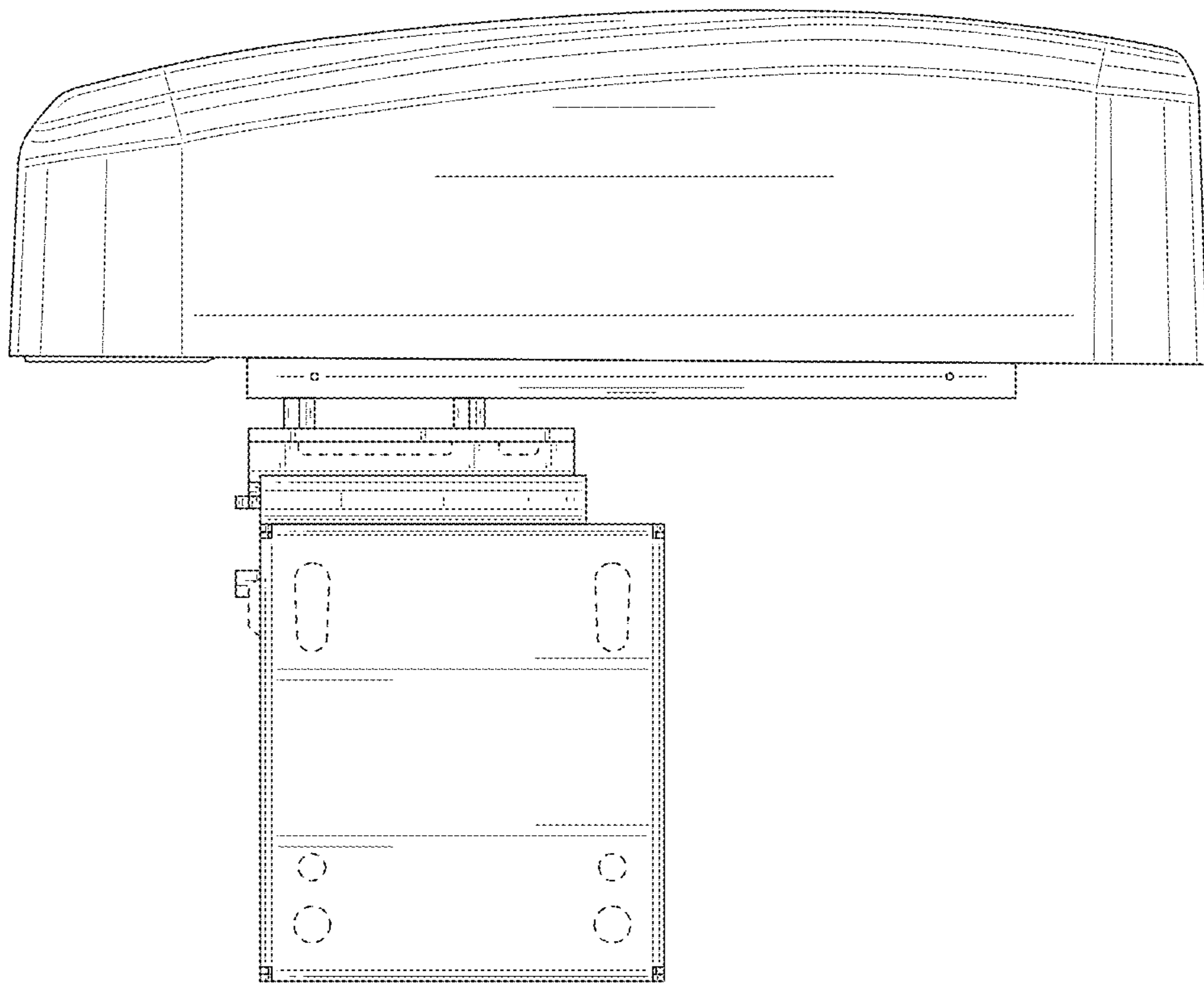


Fig. 5

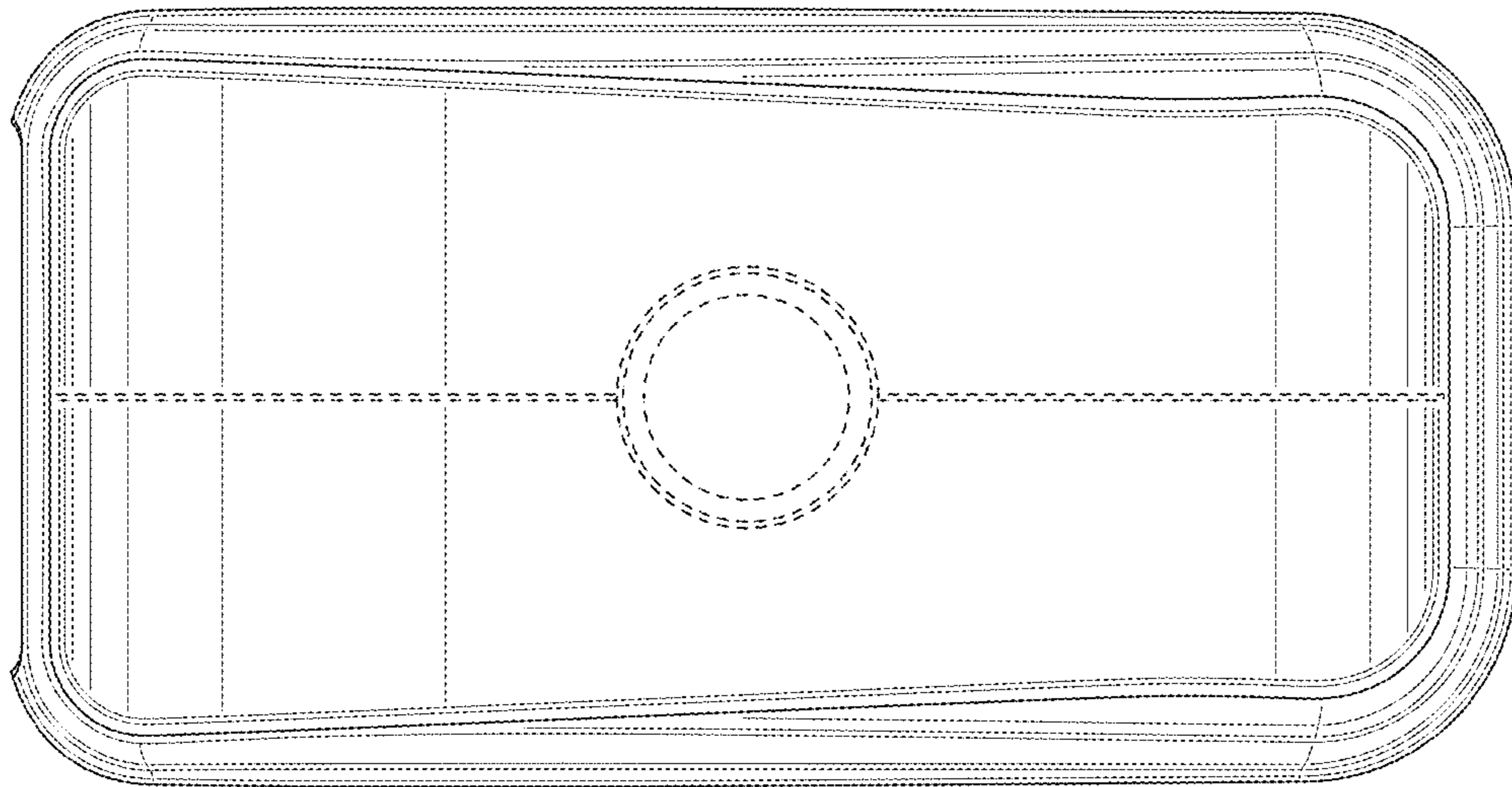


Fig. 6

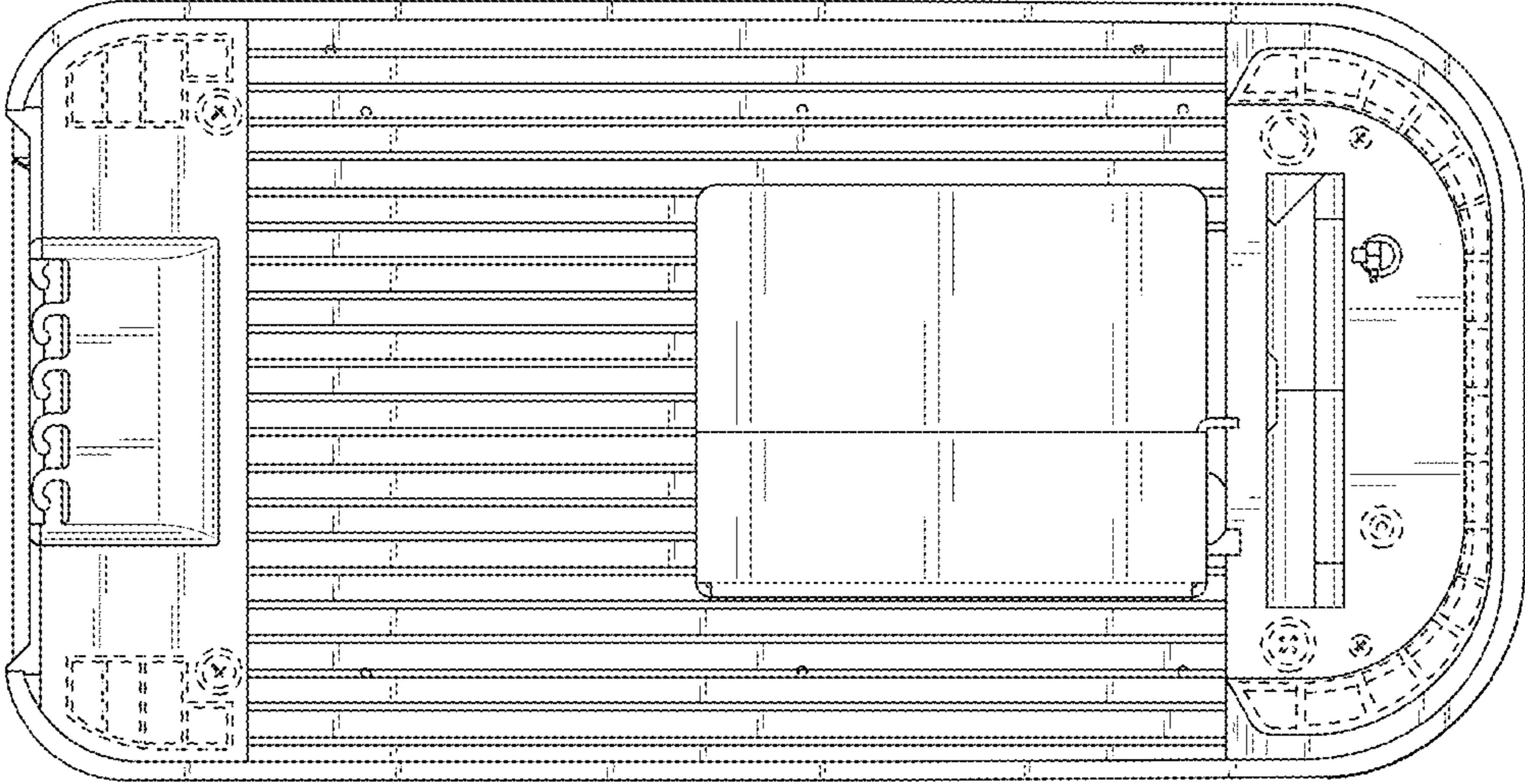


Fig. 7