



US00D837207S

(12) **United States Design Patent**
Widiaman et al.

(10) **Patent No.:** **US D837,207 S**
(45) **Date of Patent:** **** Jan. 1, 2019**

(54) **COMPUTER**

D491,940 S * 6/2004 Narita D14/368
D527,002 S * 8/2006 Frank D14/349

(71) Applicant: **HEWLETT-PACKARD
DEVELOPMENT COMPANY, L.P.**,
Houston, TX (US)

(Continued)

Primary Examiner — Freda S Nunn

(72) Inventors: **Rudy Widiaman**, Houston, TX (US);
Paul Drew, Houston, TX (US)

(74) *Attorney, Agent, or Firm* — Rathe Lindenbaum LLP

(73) Assignee: **Hewlett-Packard Development
Company, L.P.**, Houston, TX (US)

(57) **CLAIM**

We claim the ornamental design for a computer, as shown and described.

(**) Term: **15 Years**

DESCRIPTION

(21) Appl. No.: **29/606,317**

FIG. 1 is a top, front, right perspective view of the claimed design according to a first embodiment;

(22) Filed: **Jun. 2, 2017**

FIG. 2 is a front elevational view thereof;

(51) **LOC (11) Cl.** **14-02**

FIG. 3 is a rear elevational view thereof;

(52) **U.S. Cl.**

FIG. 4 is a right side elevational view thereof;

USPC **D14/349**

FIG. 5 is a left side elevational view thereof;

(58) **Field of Classification Search**

FIG. 6 is a top plan view thereof;

USPC D14/240, 300, 301, 308, 313, 314,
D14/348–356, 364–368, 441–446, 188;

FIG. 7 is a bottom plan view thereof;

D13/123, 158, 162, 184, 199;
312/223.1–223.3, 351.11;

FIG. 8 is a top, front, right perspective view of the claimed design according to a second embodiment;

360/99.01–99.12; 369/34.01–36.01;
361/679.31–679.33, 679.37, 679.39,

FIG. 9 is a front elevational view thereof;

361/679.46, 679.53, 679.4, 679.41, 727

FIG. 10 is a rear elevational view thereof;

CPC . G06F 1/20; G06F 1/181; G06F 1/187; G06F
1/183; G06F 1/184; G06F 1/16; H05K

FIG. 11 is a right side elevational view thereof;

7/16; H05K 7/1424; H05K 7/1409; H05K
7/20; H05K 7/20545; H05K 7/20727;

FIG. 12 is a left side elevational view thereof;

H05K 7/1425; H05K 7/1488; H05K
7/183; H05K 7/14; H05K 5/00; H05K

FIG. 13 is a top plan view thereof;

7/00; H05H 7/20; G11B 33/126; G11B
33/128; G11B 33/08; G11B 33/02

FIG. 14 is a bottom plan view thereof;

See application file for complete search history.

FIG. 15 is a top, front, right perspective view of the claimed design according to a third embodiment;

(56) **References Cited**

FIG. 16 is a front elevational view thereof;

U.S. PATENT DOCUMENTS

FIG. 17 is a rear elevational view thereof;

6,296,333 B1 * 10/2001 Lee G06F 1/20
312/223.2

FIG. 18 is a right side elevational view thereof;

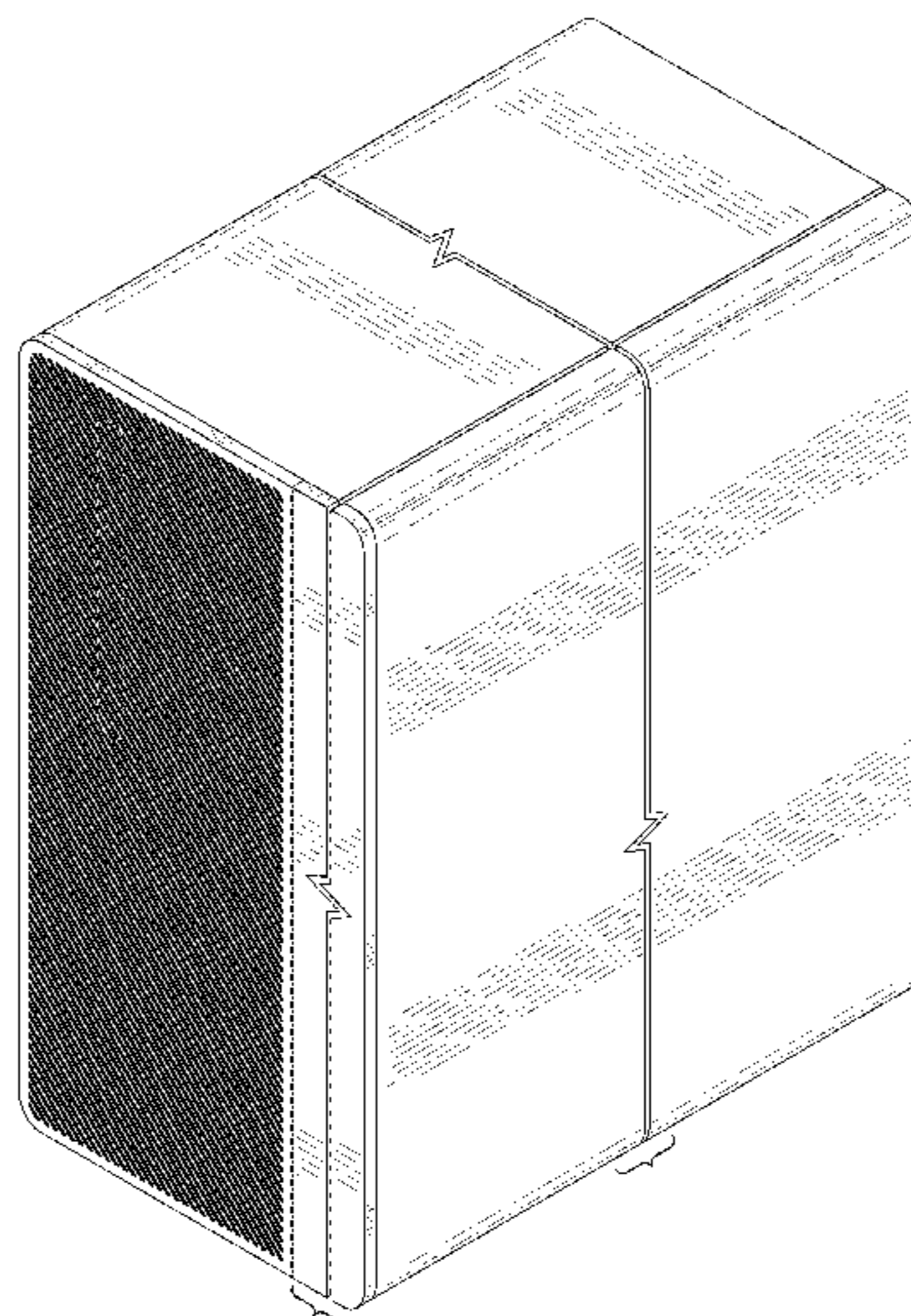
FIG. 19 is a left side elevational view thereof;

FIG. 20 is a top plan view thereof; and,

FIG. 21 is a bottom plan view thereof.

The broken lines shown in the drawings represent unclaimed subject matter and form no part of the claimed design and the lines shown broken away indicate and indeterminate length.

1 Claim, 21 Drawing Sheets



(56)

References Cited

U.S. PATENT DOCUMENTS

D530,323 S *	10/2006	Hsu	D14/348
D598,013 S *	8/2009	Ju	D14/240
D643,035 S *	8/2011	Chen	D14/349
D676,444 S *	2/2013	Cloutier	D14/349
D694,233 S *	11/2013	Hoofnagle	D14/356
D736,191 S *	8/2015	Jeon	D14/240
D745,128 S *	12/2015	Farone	D23/355
2005/0041387 A1 *	2/2005	Lee	G06F 1/16 361/679.33

* cited by examiner

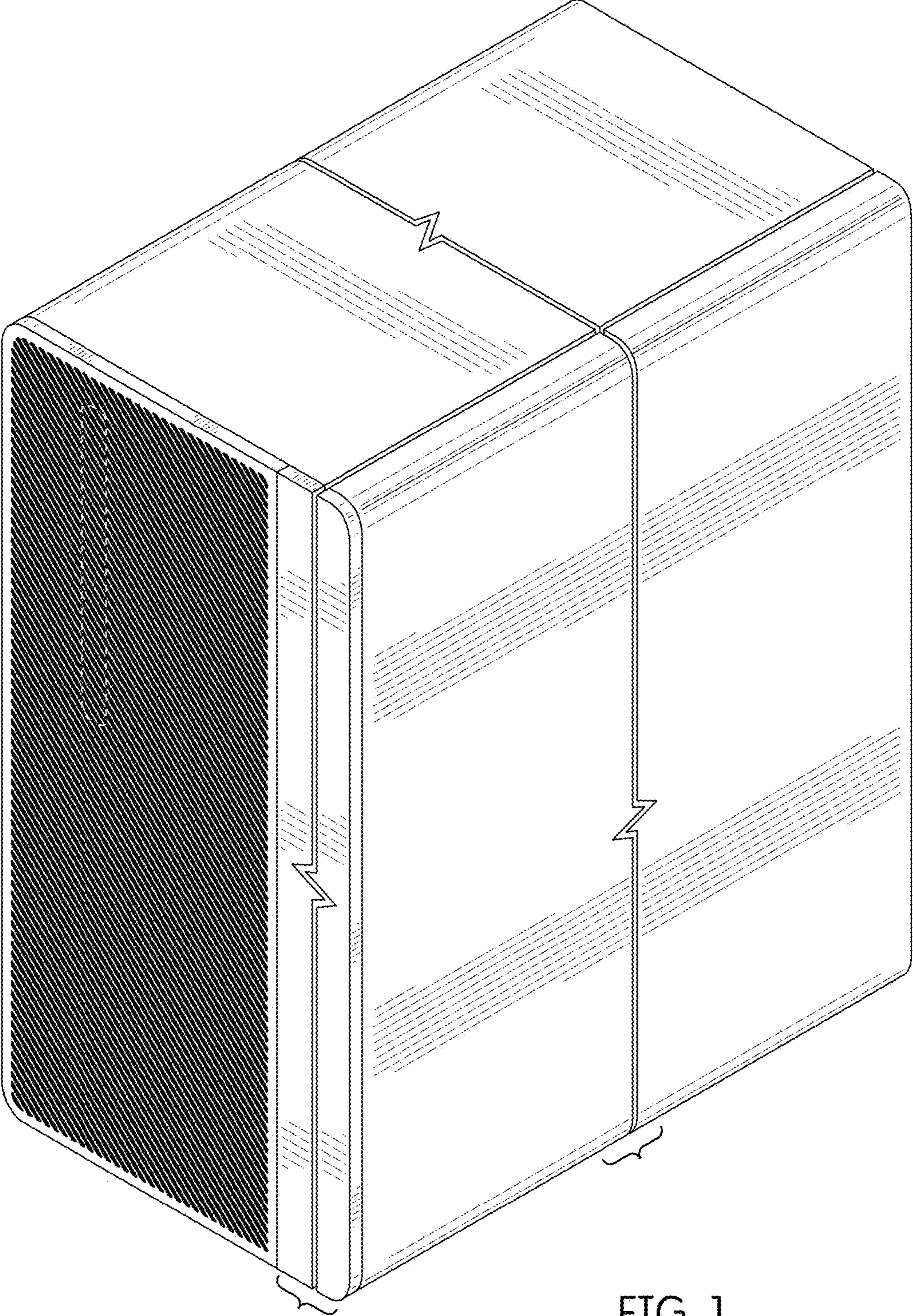


FIG. 1

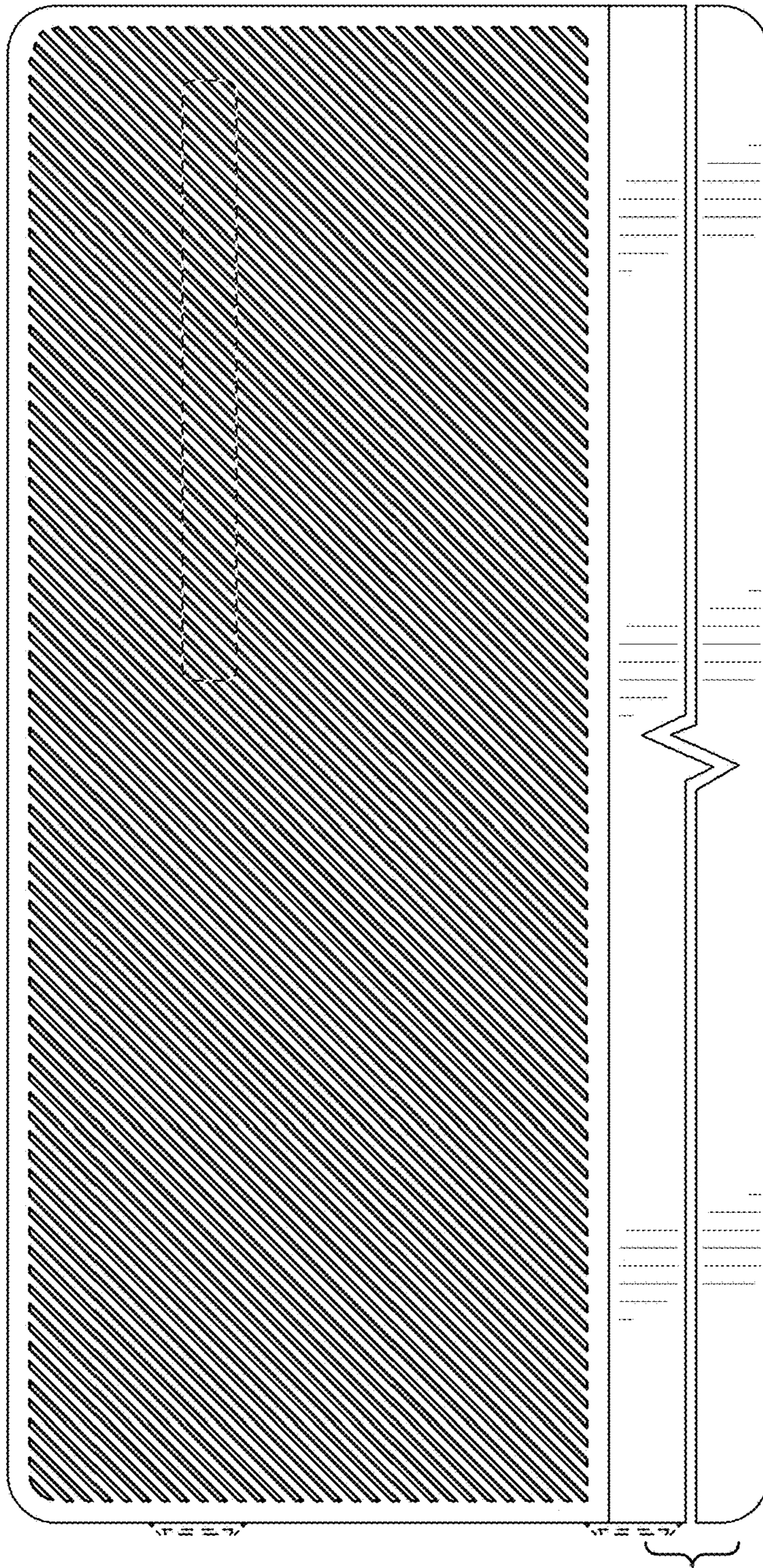


FIG. 2

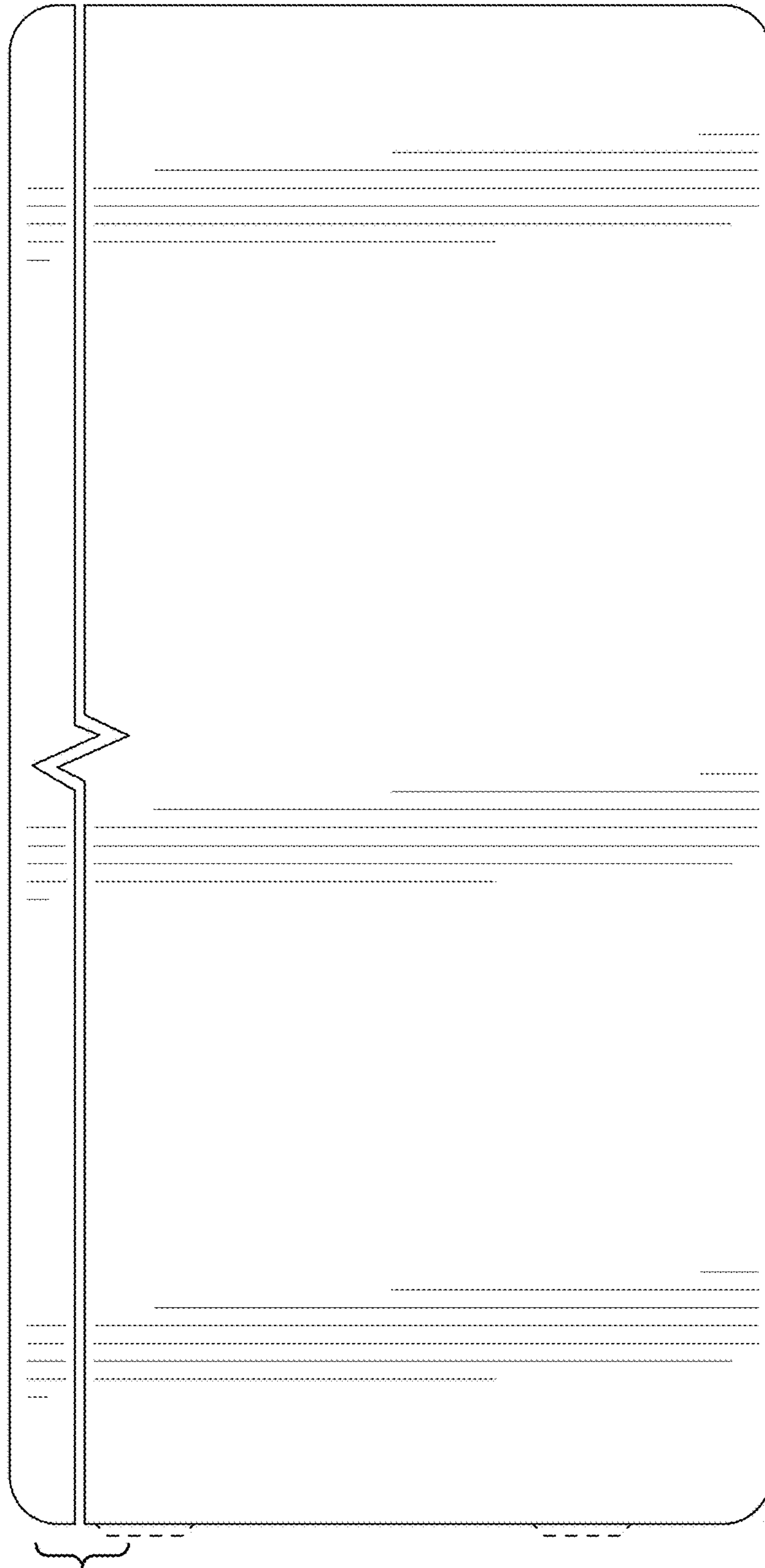


FIG. 3

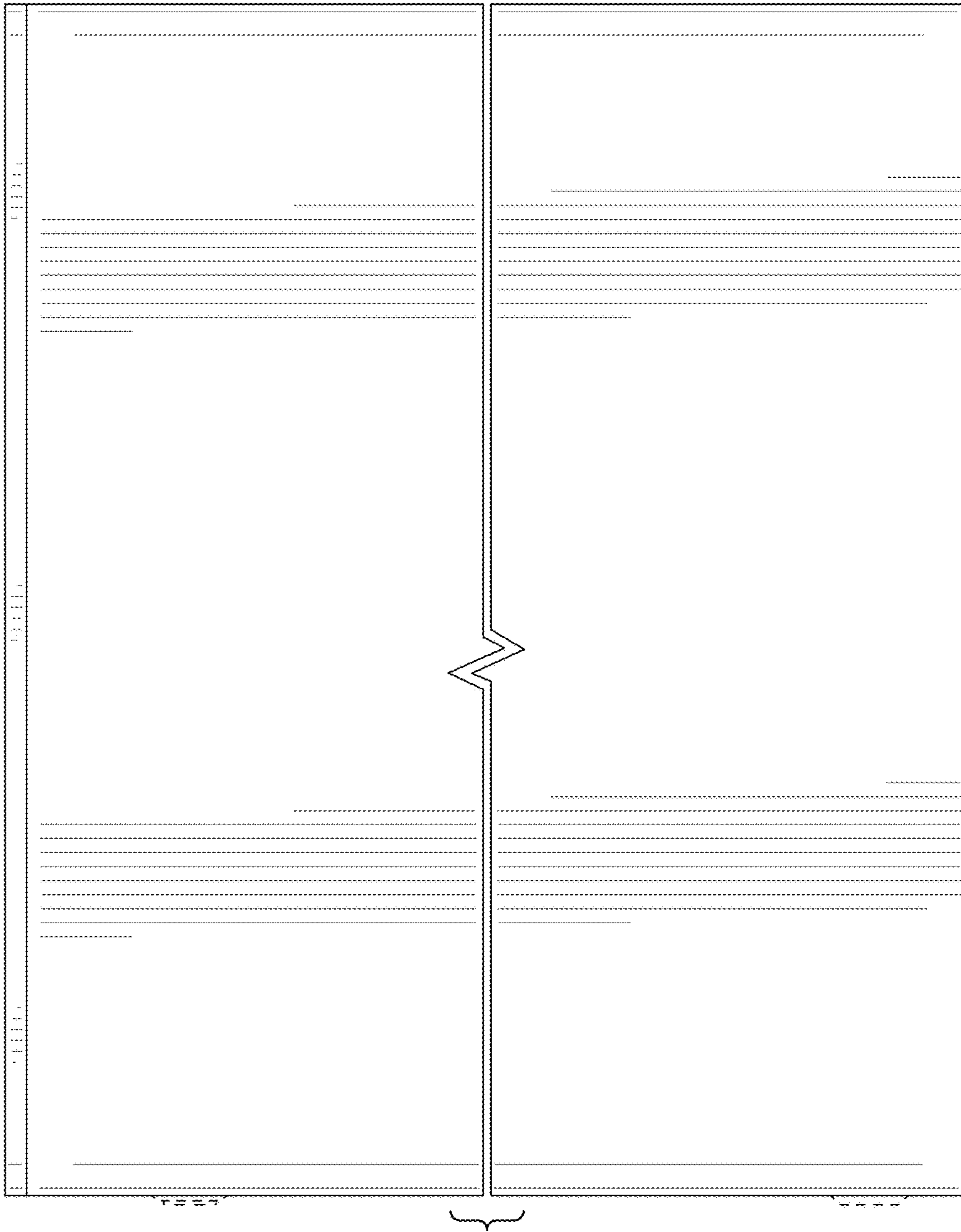


FIG. 4

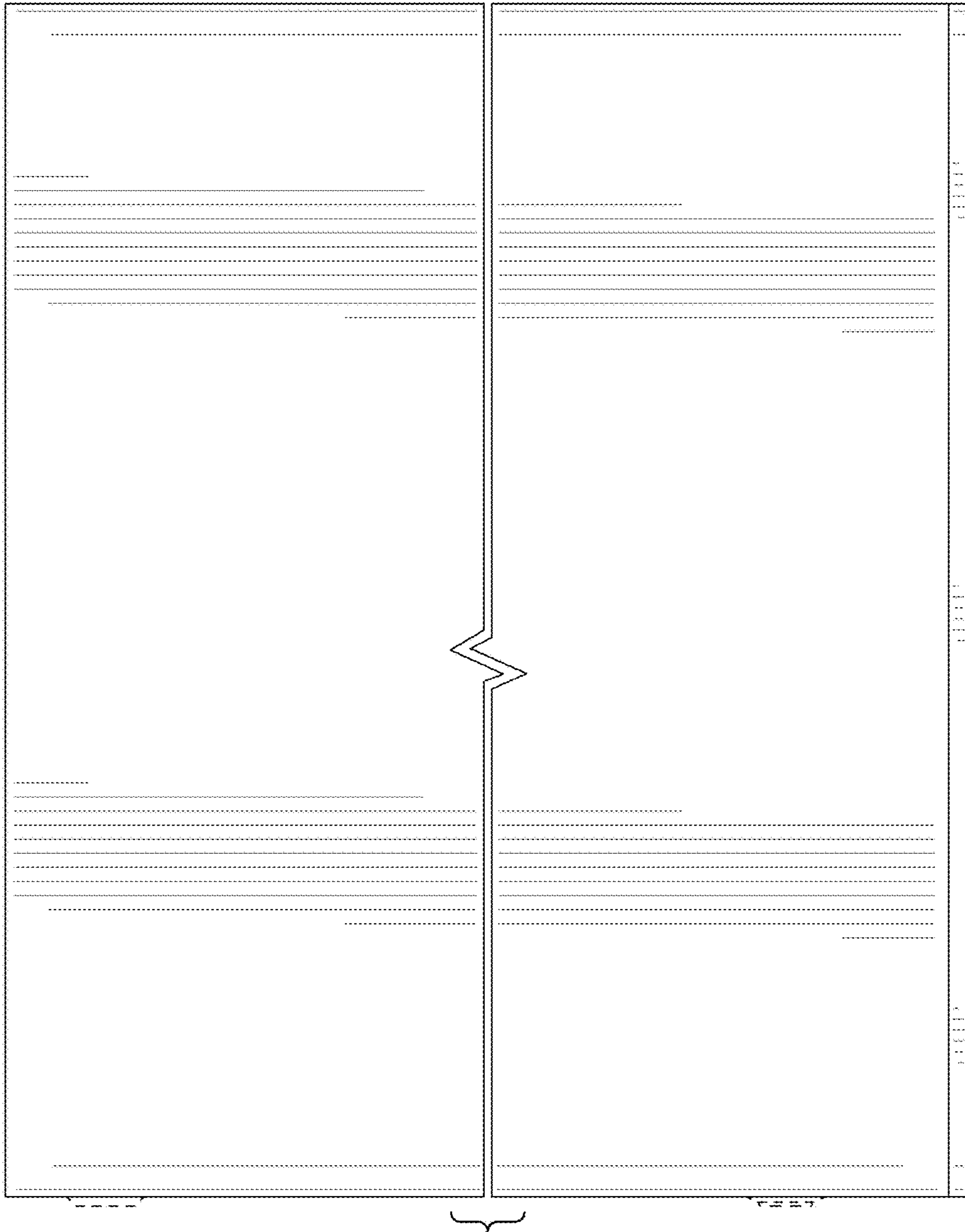


FIG. 5

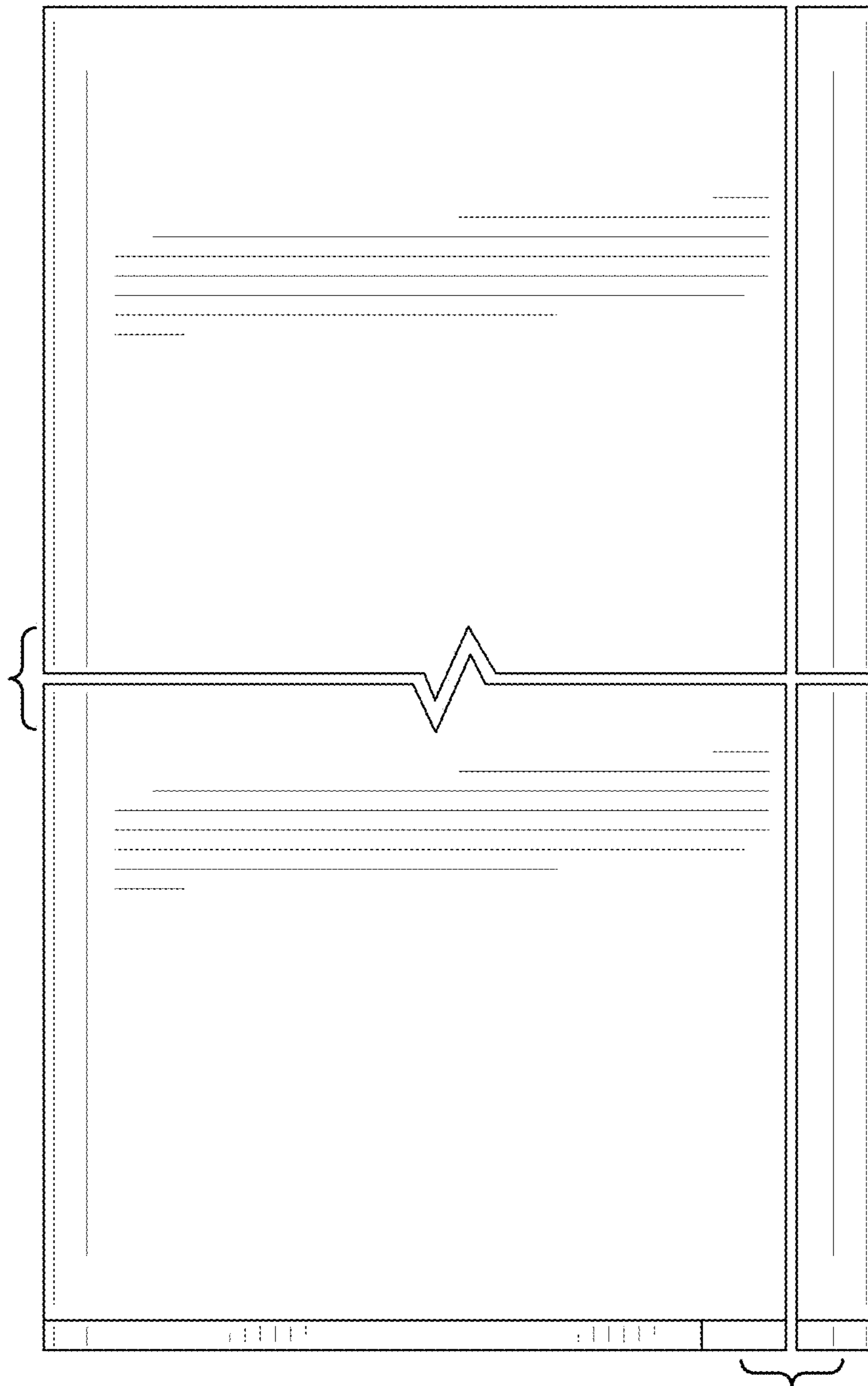


FIG. 6

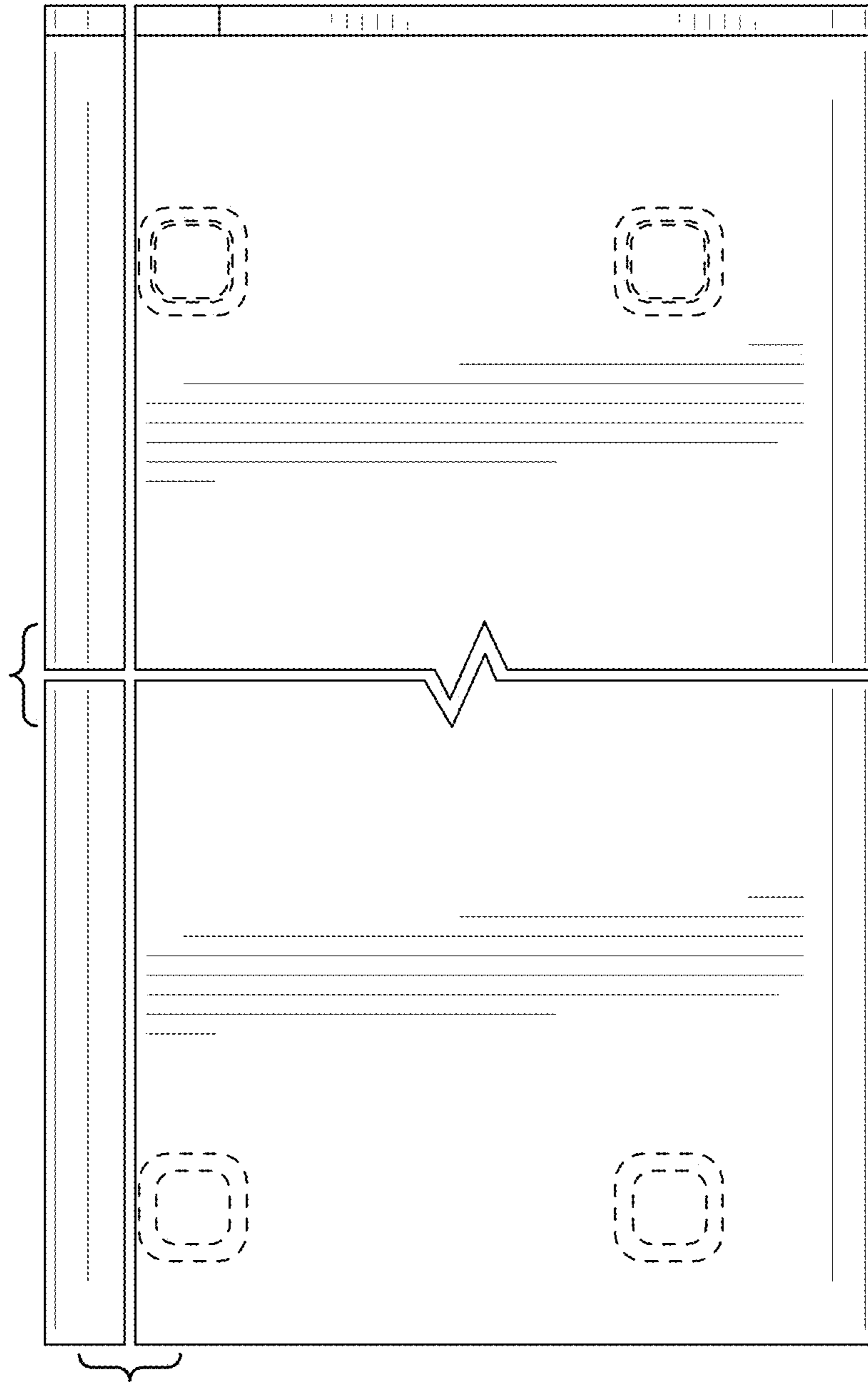


FIG. 7

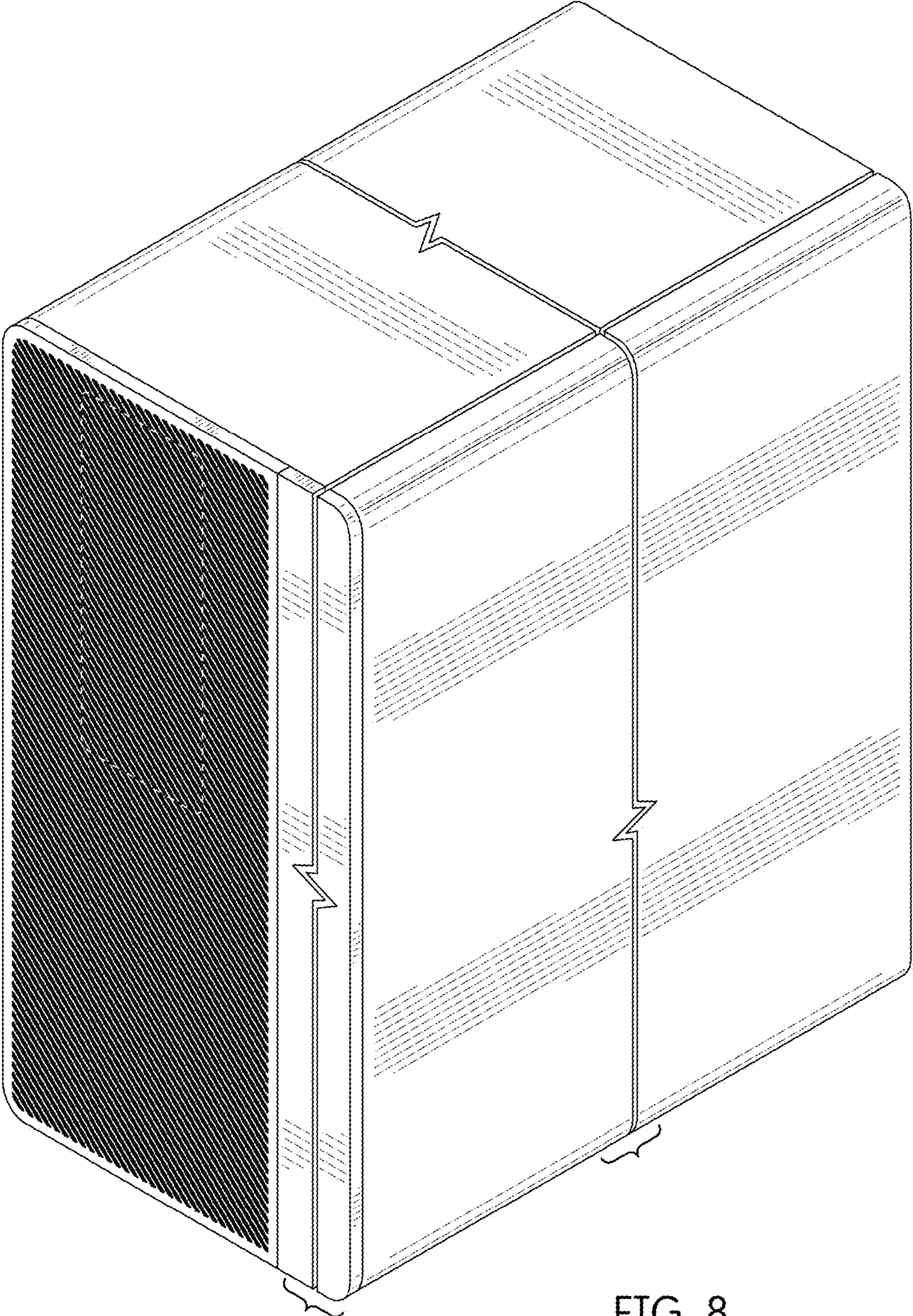


FIG. 8

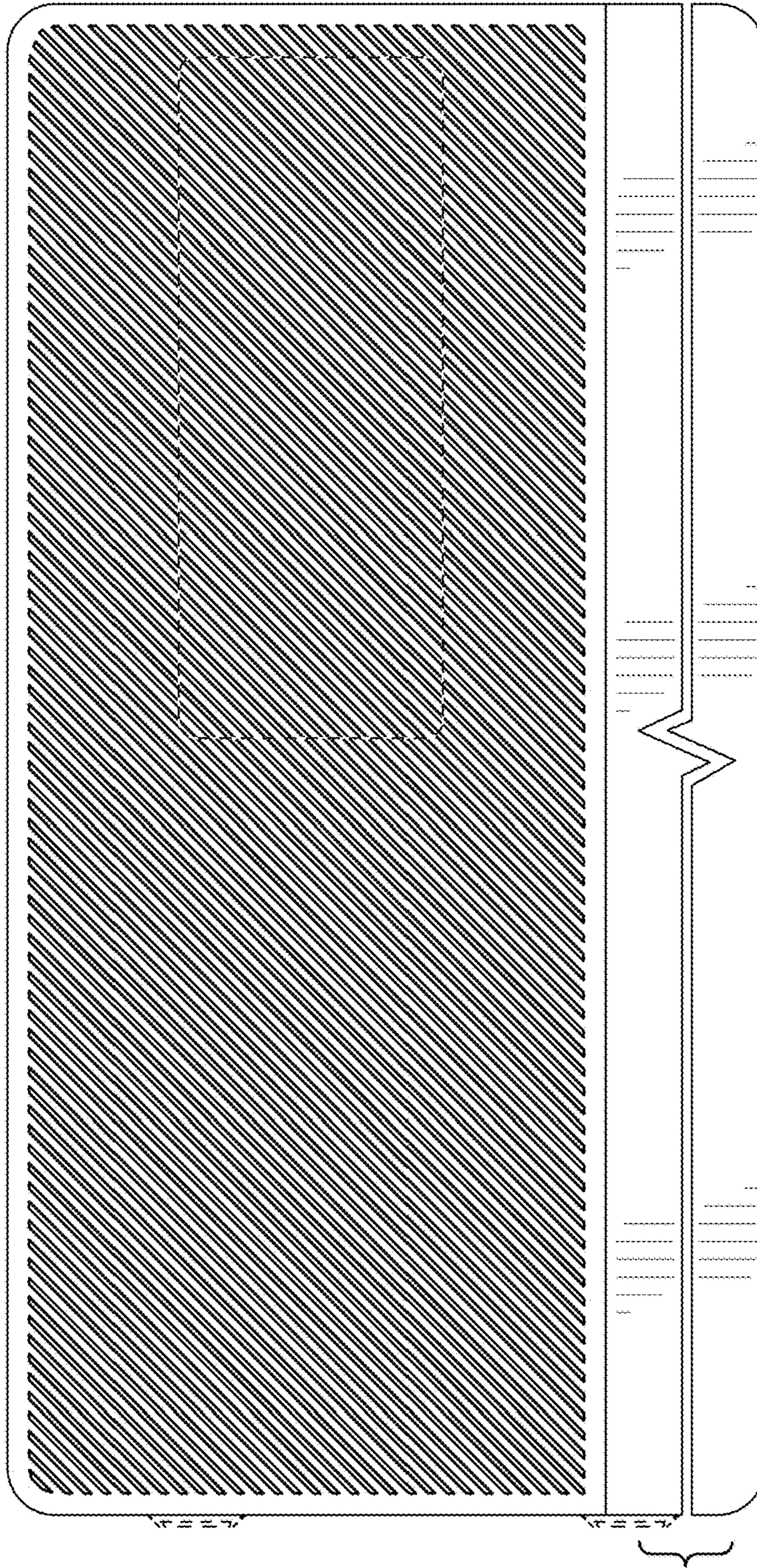


FIG. 9

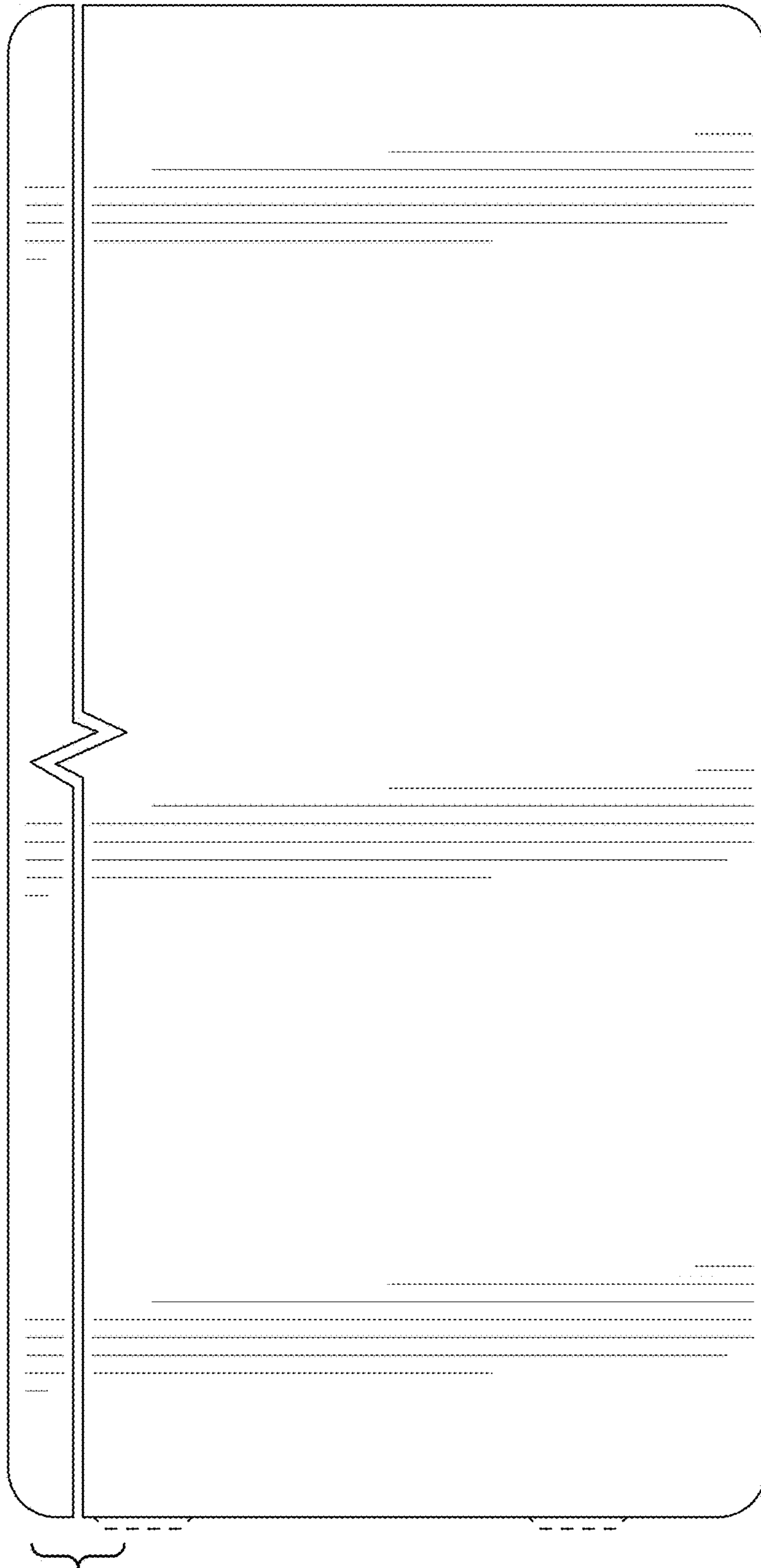


FIG. 10

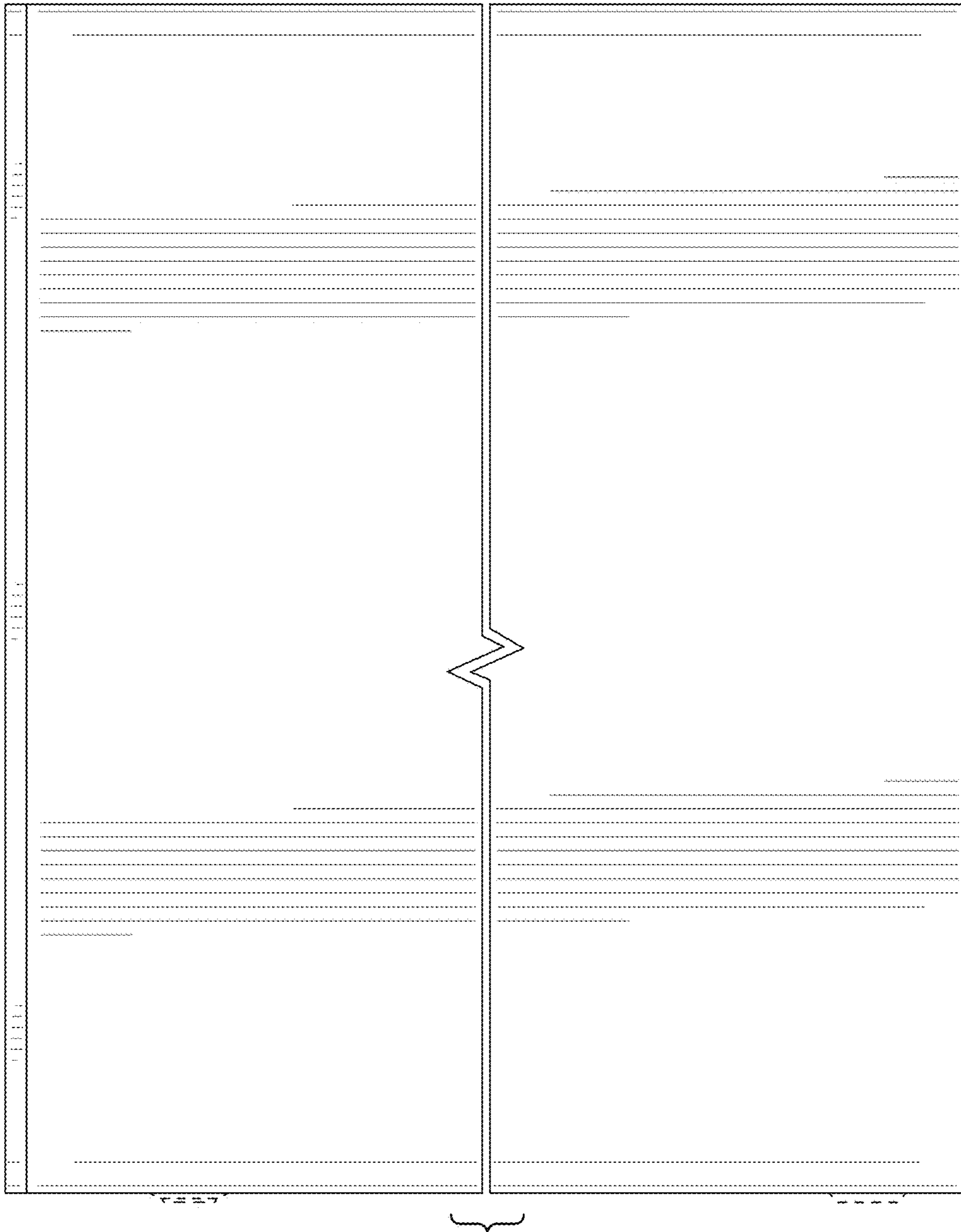


FIG. 11

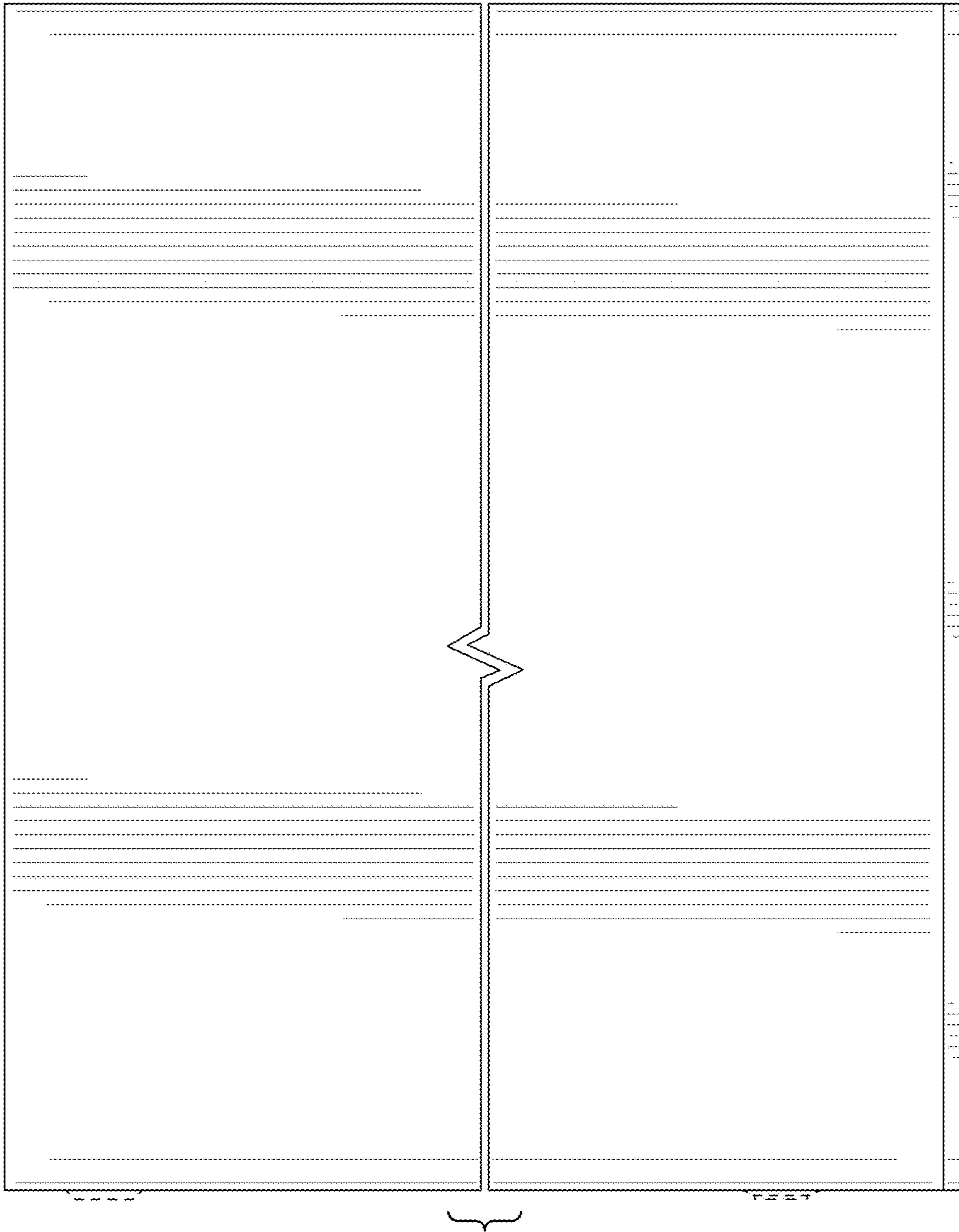


FIG. 12

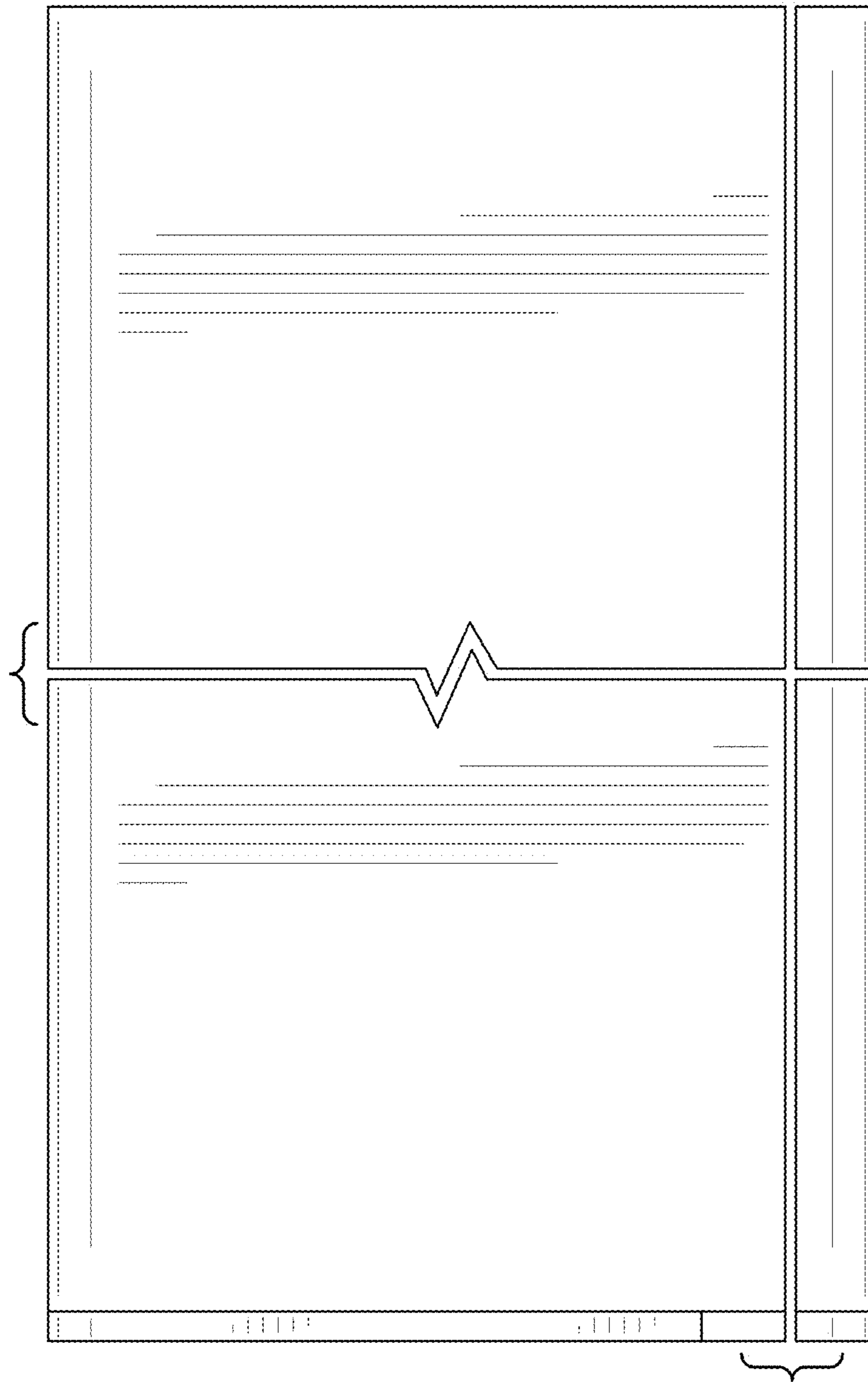


FIG. 13

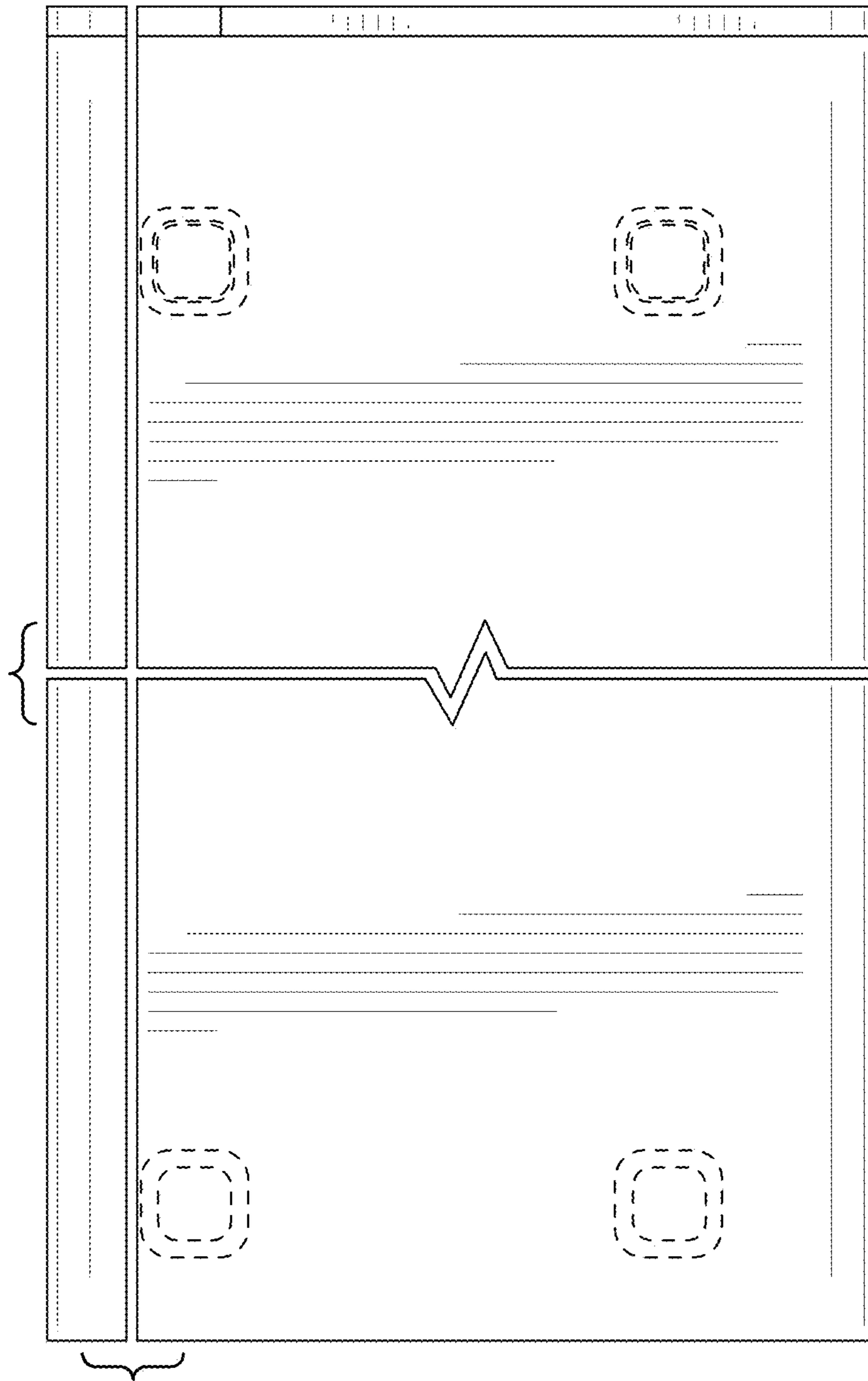


FIG. 14

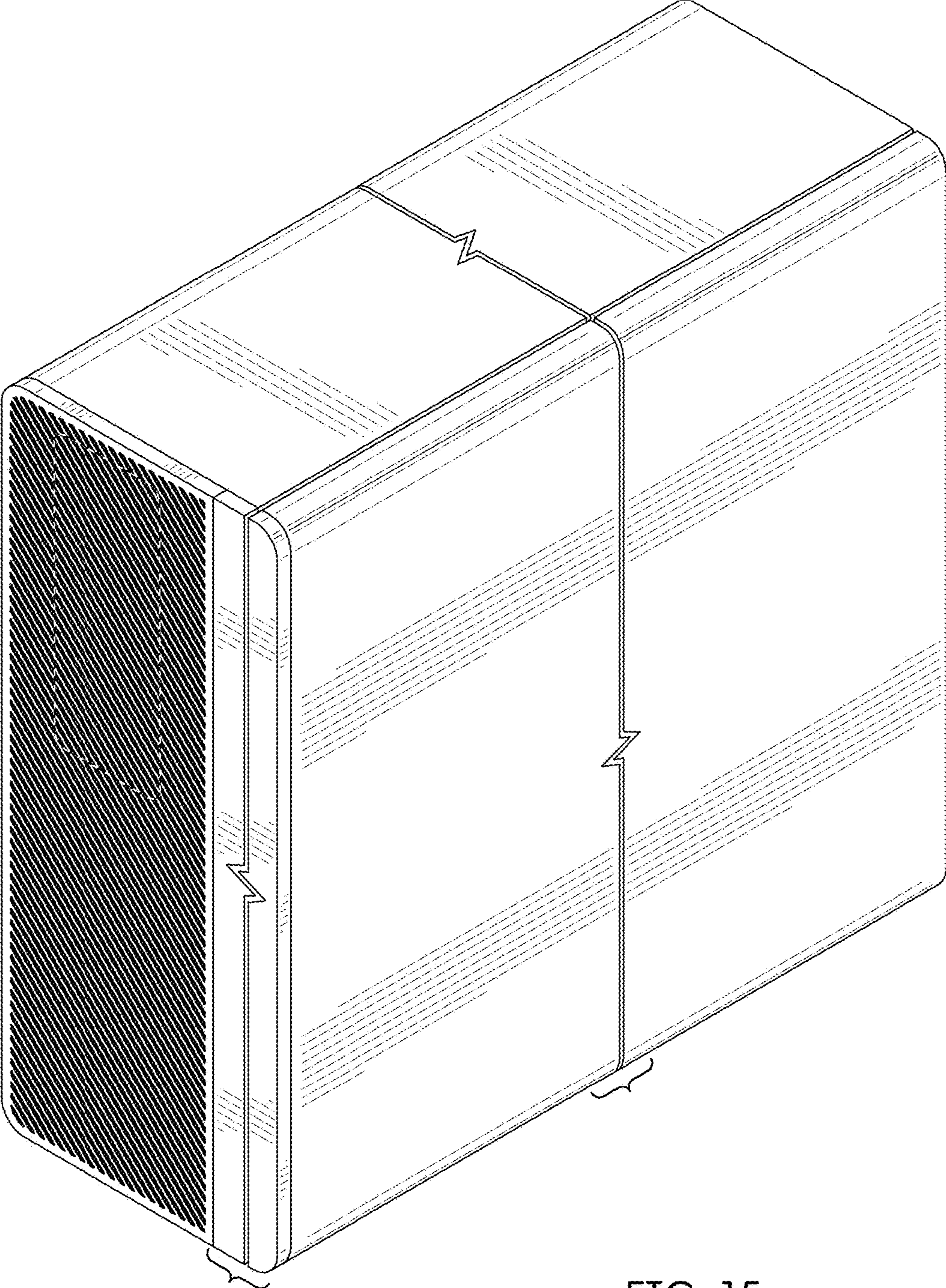


FIG. 15

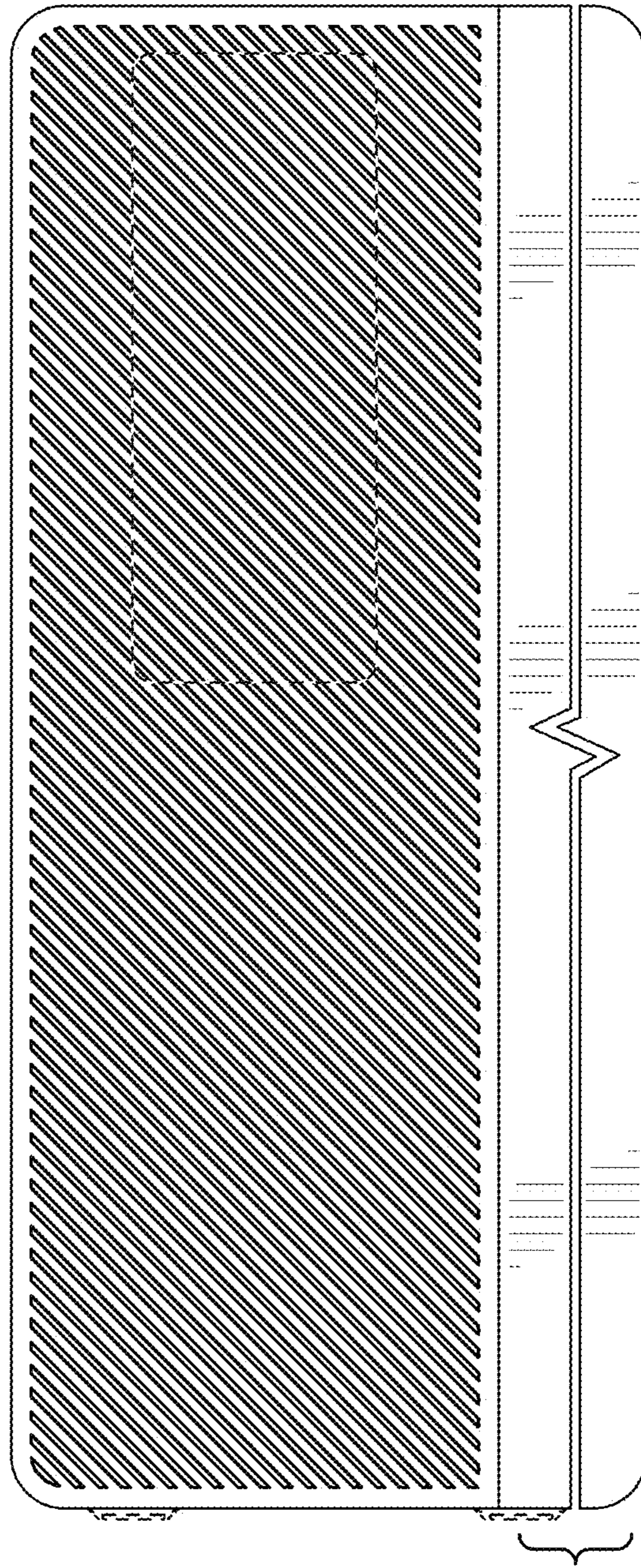


FIG. 16

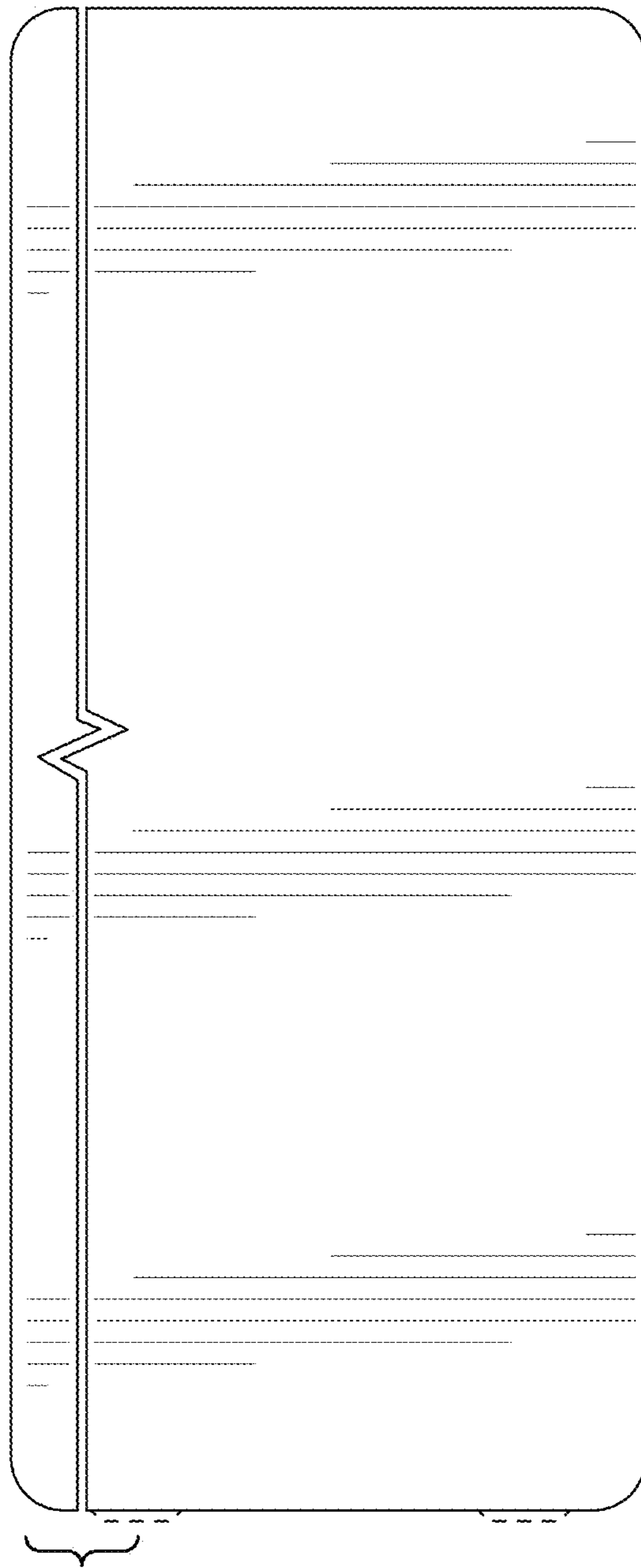


FIG. 17

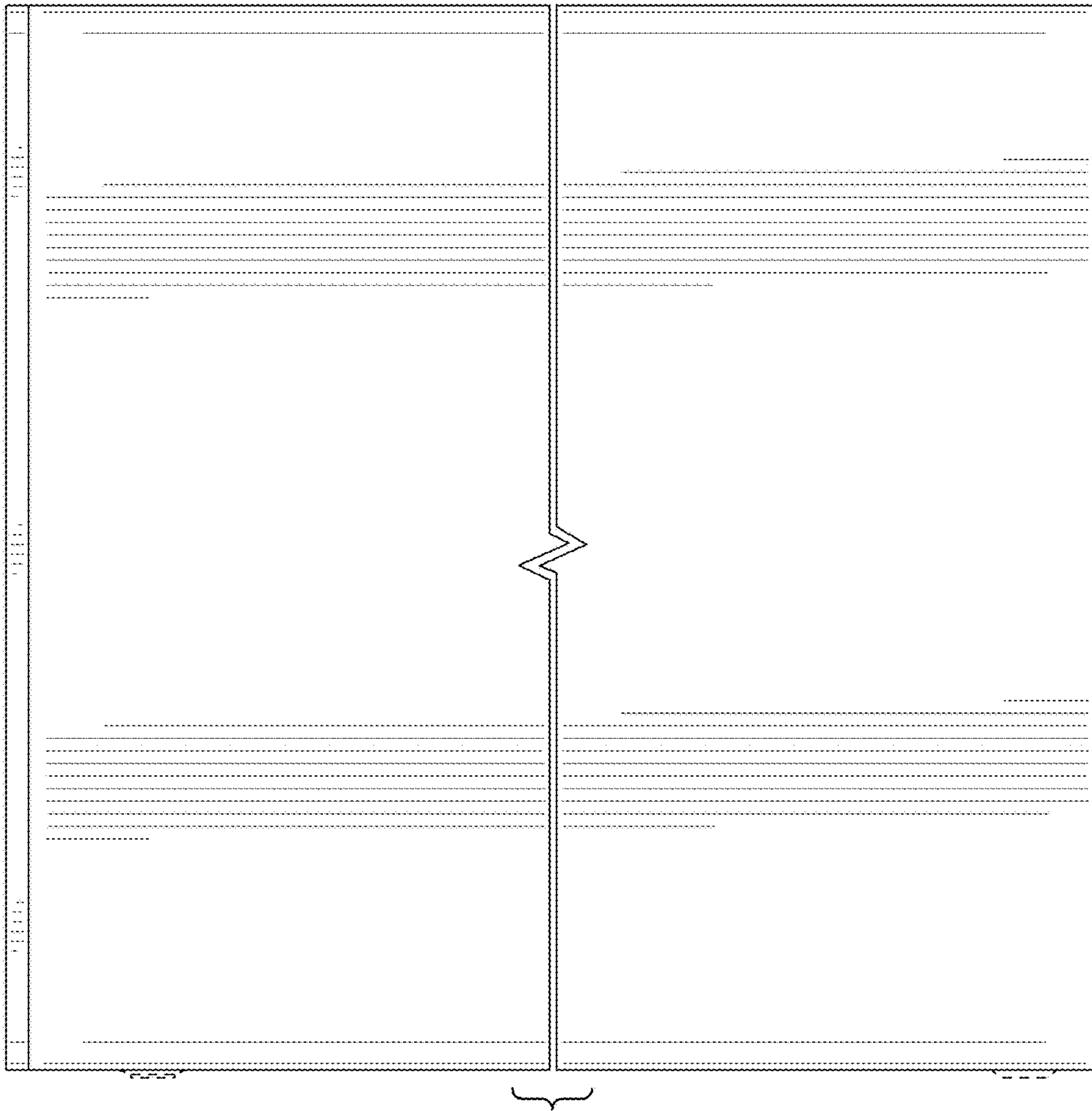


FIG. 18

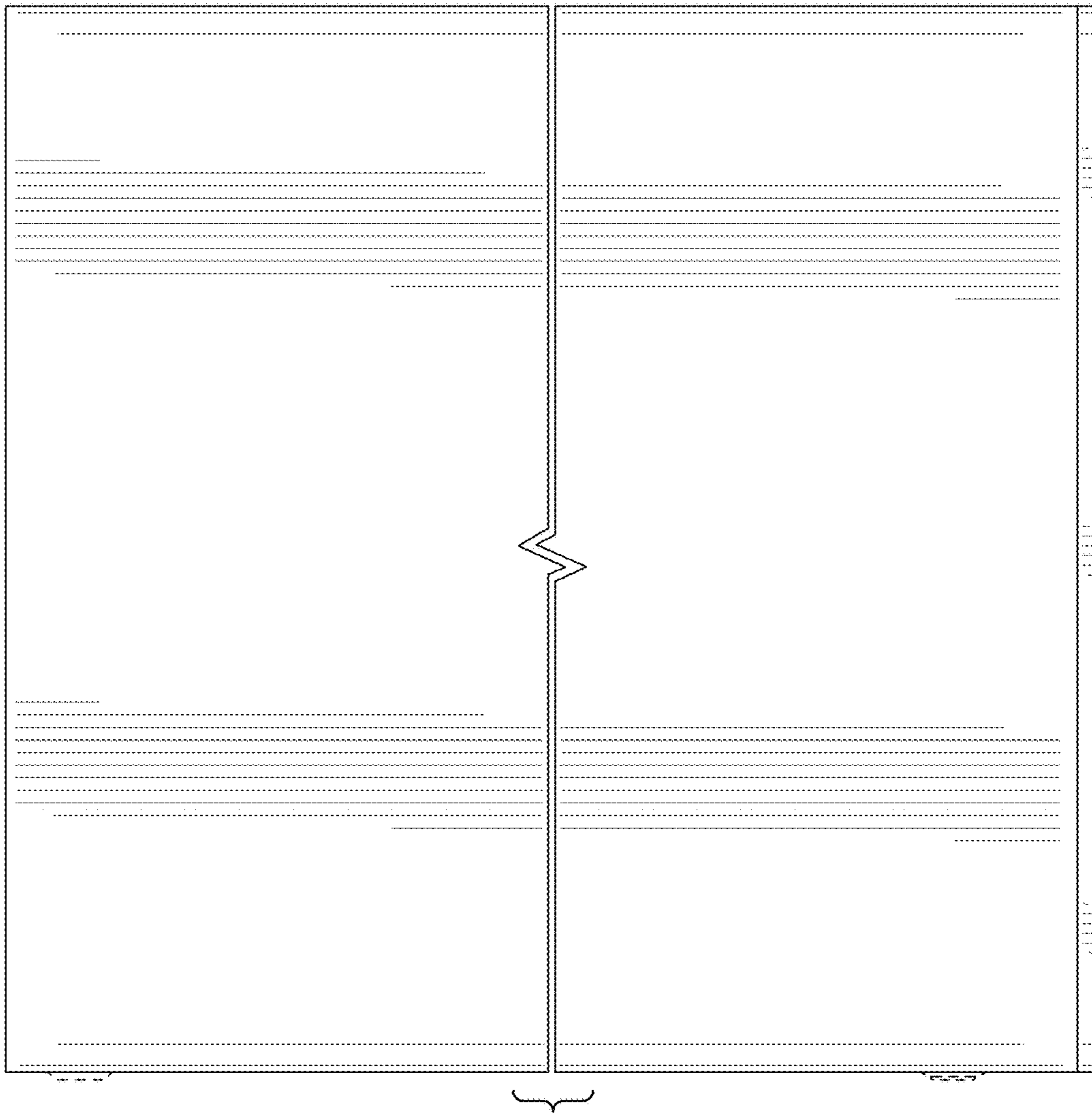


FIG. 19

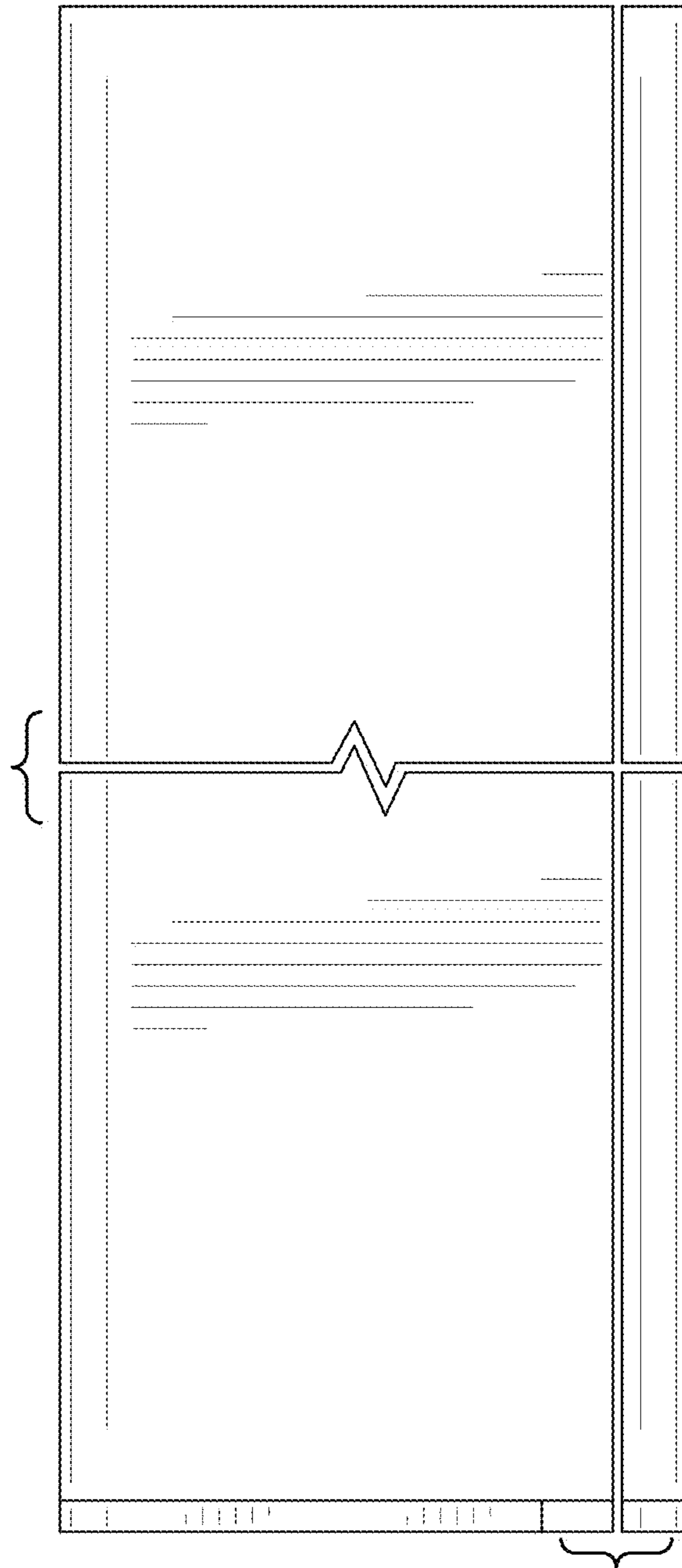


FIG. 20

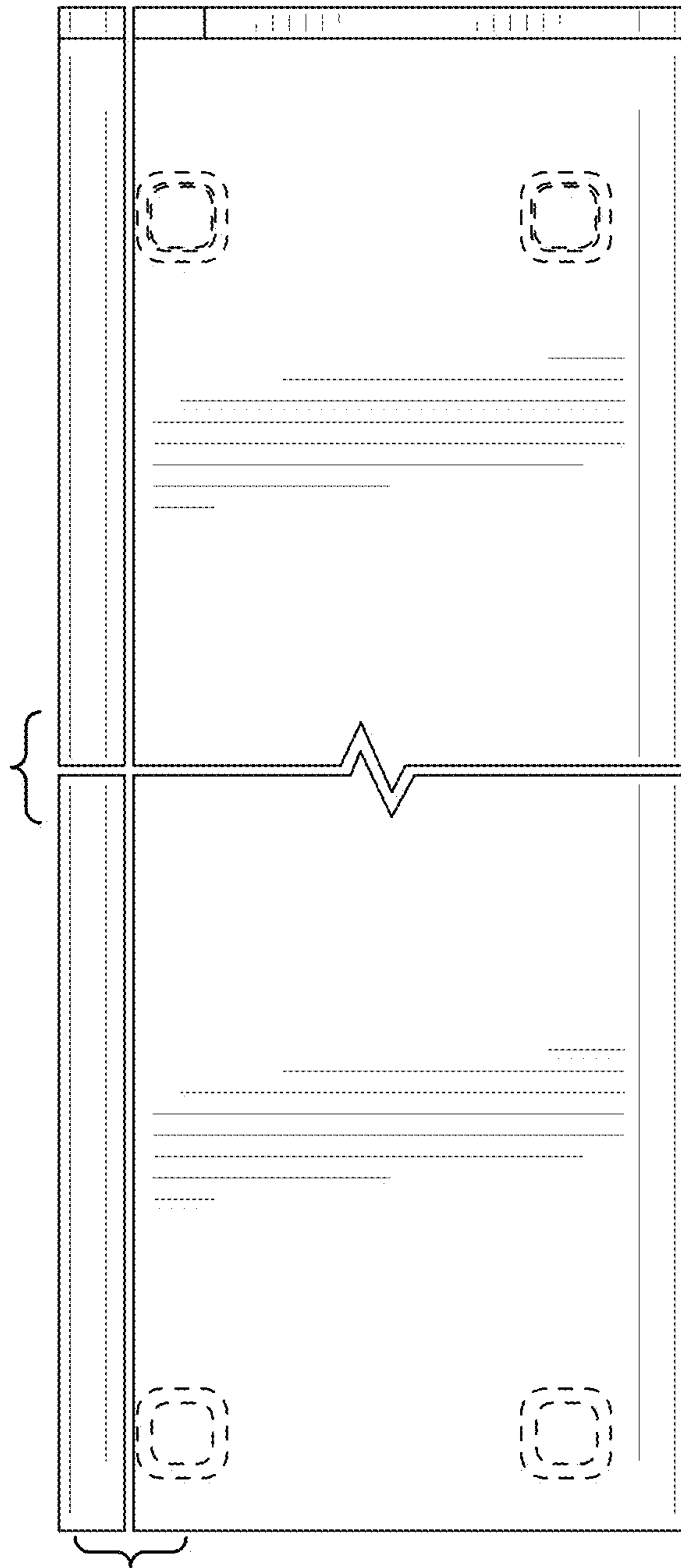


FIG. 21