



US00D837206S

(12) **United States Design Patent** (10) **Patent No.:** **US D837,206 S**
Guan et al. (45) **Date of Patent:** **** Jan. 1, 2019**

(54) **SMART WATCH**

(71) Applicant: **HUAWEI TECHNOLOGIES CO., LTD.**, Shenzhen (CN)

(72) Inventors: **Dianzheng Guan**, Shenzhen (CN); **Dinglong Pan**, Shenzhen (CN); **Ning Yang**, Shenzhen (CN)

(73) Assignee: **HUAWEI TECHNOLOGIES CO., LTD.**, Shenzhen (CN)

(**) Term: **15 Years**

(21) Appl. No.: **29/623,151**

(22) Filed: **Oct. 23, 2017**

(30) **Foreign Application Priority Data**

Apr. 24, 2017 (CN) 2017 3 0141010

(51) **LOC (11) Cl.** **14-02**

(52) **U.S. Cl.**
USPC **D14/344**

(58) **Field of Classification Search**
USPC .. D14/138 R, 144, 341, 344, 358, 388, 218;
D10/30-39, 70, 98; D11/3, 4, 26, 93-94,
D11/78.1, 79, 86; D24/167, 169,
D24/186-187, 164
CPC A41D 1/002; A41D 19/0034; G06F 1/04;
G06F 1/08; G06F 1/10; G06F 1/14; G06F
1/1626; G06F 1/1628; G06F 1/163; G06F
1/1635; G06F 1/3203; G06Q 20/10;
G06Q 20/12; G06Q 20/108; G06Q
20/145; H04B 1/3833; H04B 1/385;
H04B 1/3888; H04M 1/02; H04M 1/03;
H04M 1/04; H04M 1/05; H04M 1/667;
H04M 1/6058; Y02B 60/1217
See application file for complete search history.

(56) **References Cited**

U.S. PATENT DOCUMENTS

D680,651 S * 4/2013 Lumme D24/167
D759,725 S * 6/2016 Akana D14/496

D765,072 S * 8/2016 Kwon D10/38
D765,655 S * 9/2016 Tao D10/38
D768,858 S * 10/2016 Komulainen D24/167
D777,590 S * 1/2017 Nielsen D10/39
9,743,695 B2 * 8/2017 Yoo A61B 5/7435
D802,151 S * 11/2017 Bagatar D24/186
9,811,648 B2 * 11/2017 Choi G06F 21/32
9,851,753 B2 * 12/2017 Gao G06F 1/163

(Continued)

OTHER PUBLICATIONS

Zeblaze Crystal Smart Bluetooth Watch—Features & Specifications Review, posted Aug. 26, 2015, [retrieved Jul. 26, 2018]. Retrieved from Internet, <URL: <https://www.rswebsols.com/reviews/product-reviews/zeblaze-crystal-smart-bluetooth-watch> >.*

(Continued)

Primary Examiner — Barbara Fox

Assistant Examiner — Kristen E Reed

(74) *Attorney, Agent, or Firm* — Kilpatrick Townsend & Stockton LLP

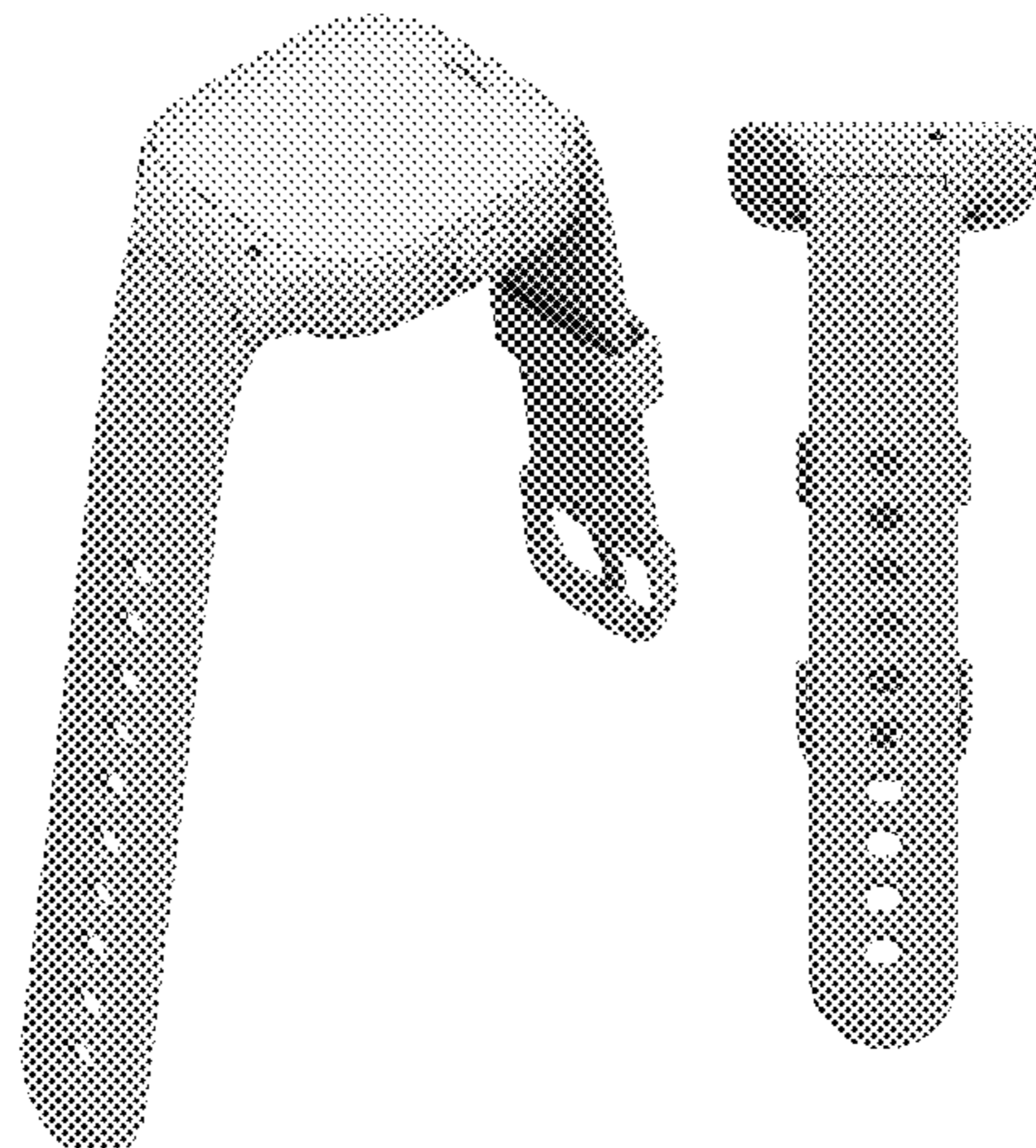
(57) **CLAIM**

The ornamental design for a smart watch, as shown and described.

DESCRIPTION

FIG. 1 is a top perspective view of a smart watch showing our new design;
FIG. 2 is a bottom perspective view thereof;
FIG. 3 is a front view thereof;
FIG. 4 is a rear view thereof;
FIG. 5 is a left side view thereof;
FIG. 6 is a right side view thereof;
FIG. 7 is a top view thereof; and,
FIG. 8 is a bottom view thereof.

1 Claim, 8 Drawing Sheets



(56)

References Cited

U.S. PATENT DOCUMENTS

D813,058 S * 3/2018 Kanikananta D10/32
2012/0099406 A1* 4/2012 Lau G04G 21/08
368/69
2017/0065038 A1* 3/2017 Griffin, II A44C 5/0053

OTHER PUBLICATIONS

Smart Watch I-Touch Screen, posted Sep. 25, 2017, [retrieved Jul. 26, 2018]. Retrieved from Internet, <URL: <https://www.amazon.com/Bluetooth-Pedometer-Analysis-Monitoring-Smartphone/dp/B079H69JWF> >.*

* cited by examiner

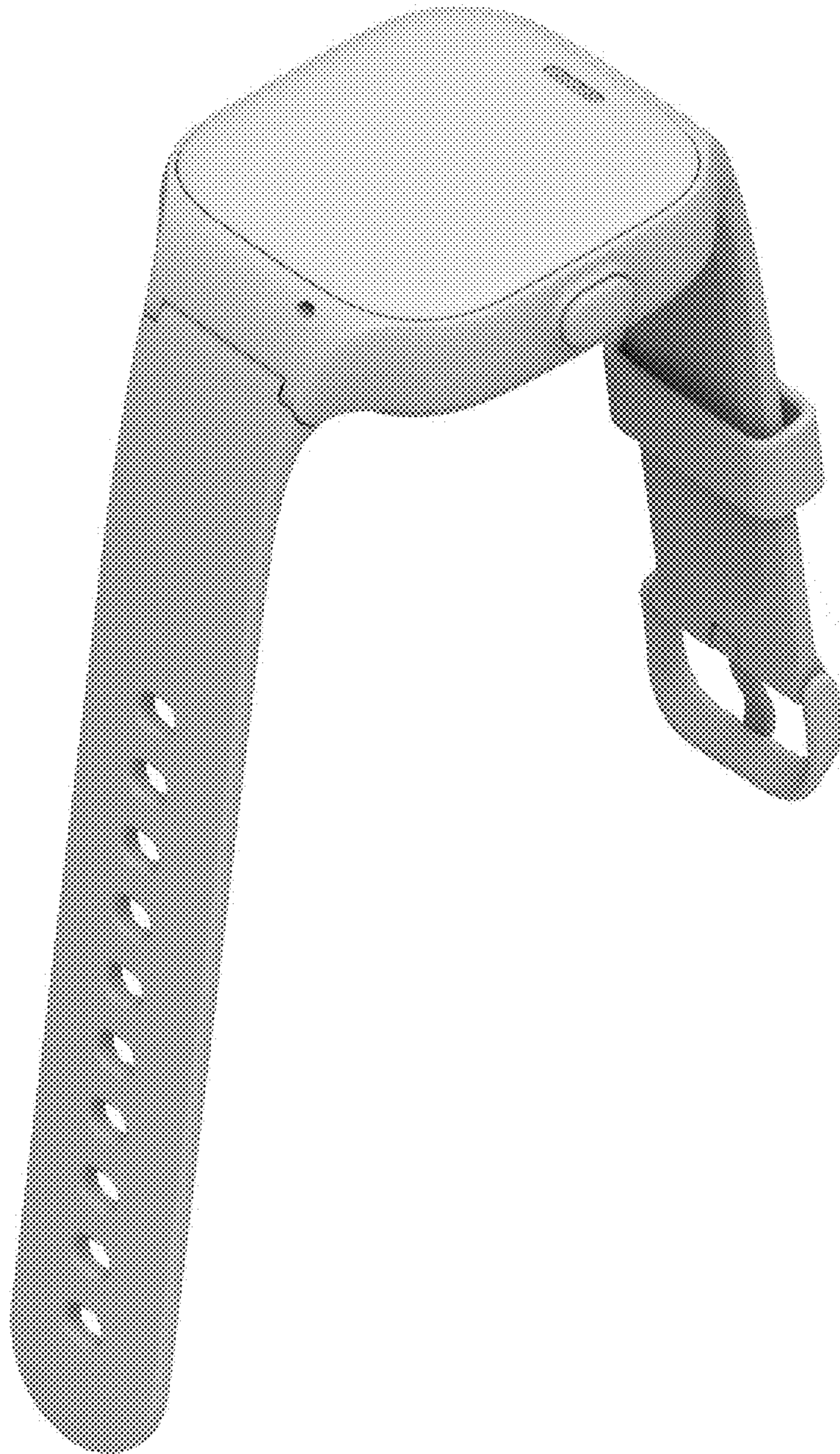


FIG. 1



FIG. 2



FIG. 3

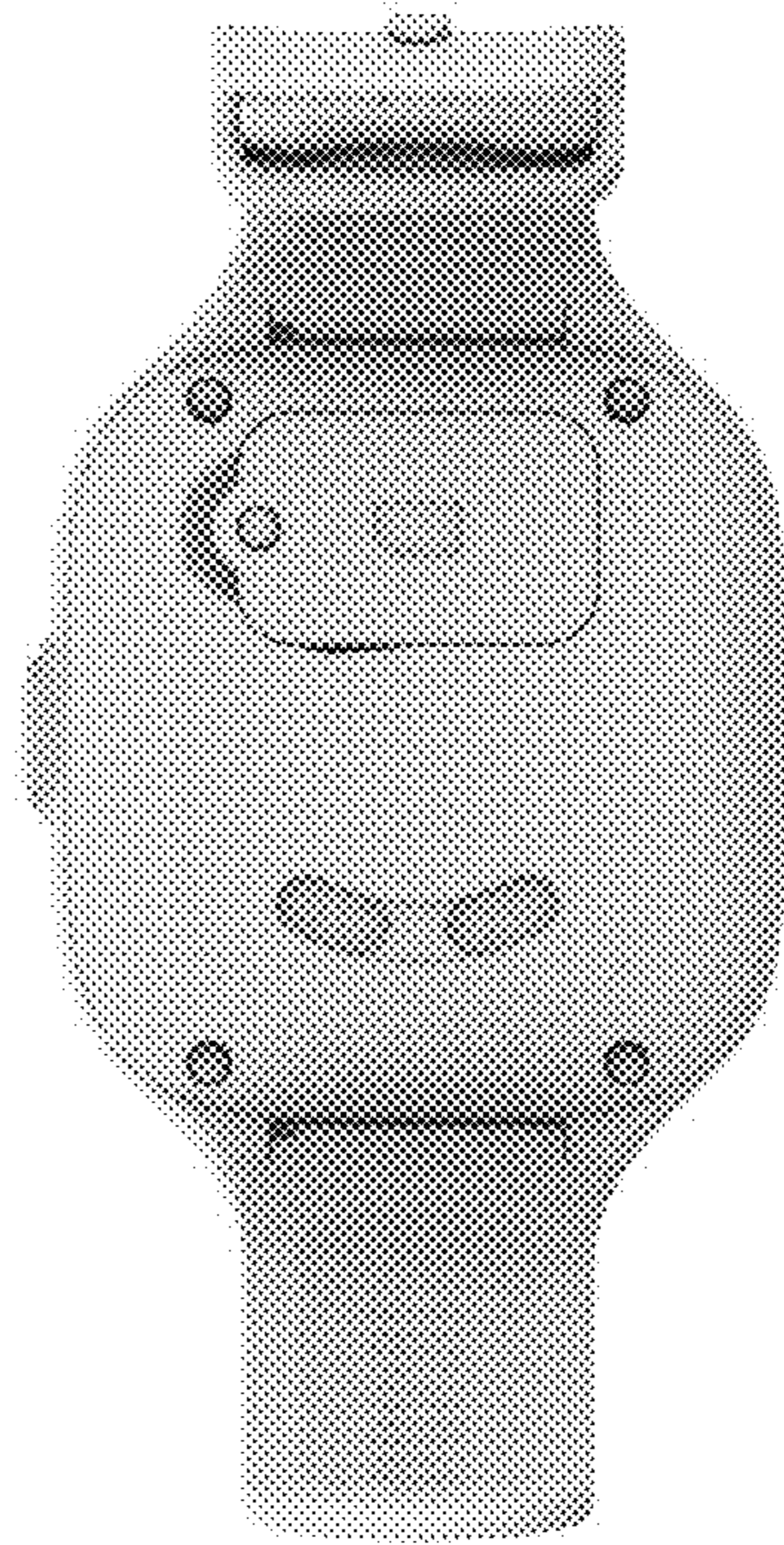


FIG. 4

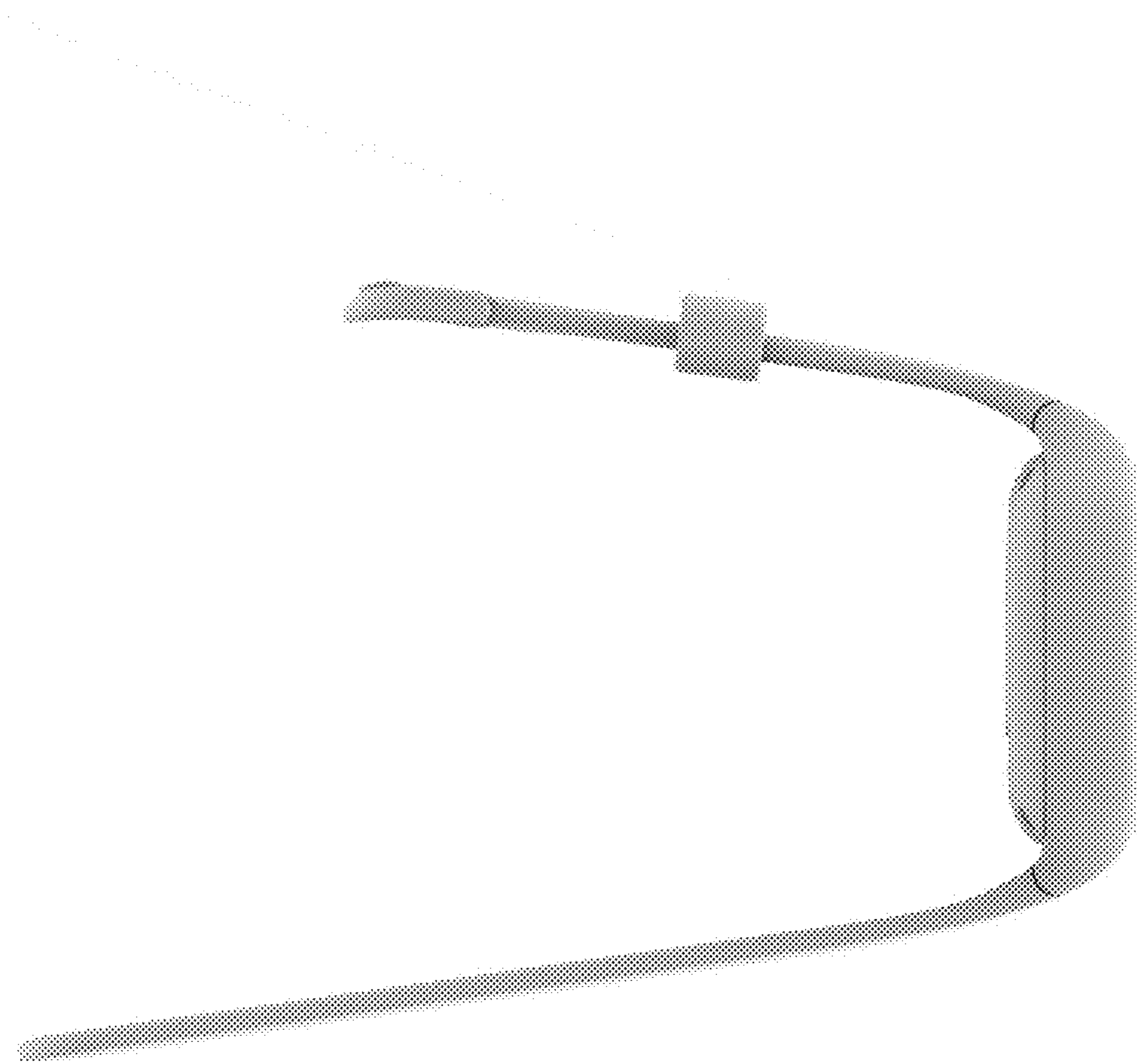


FIG. 5

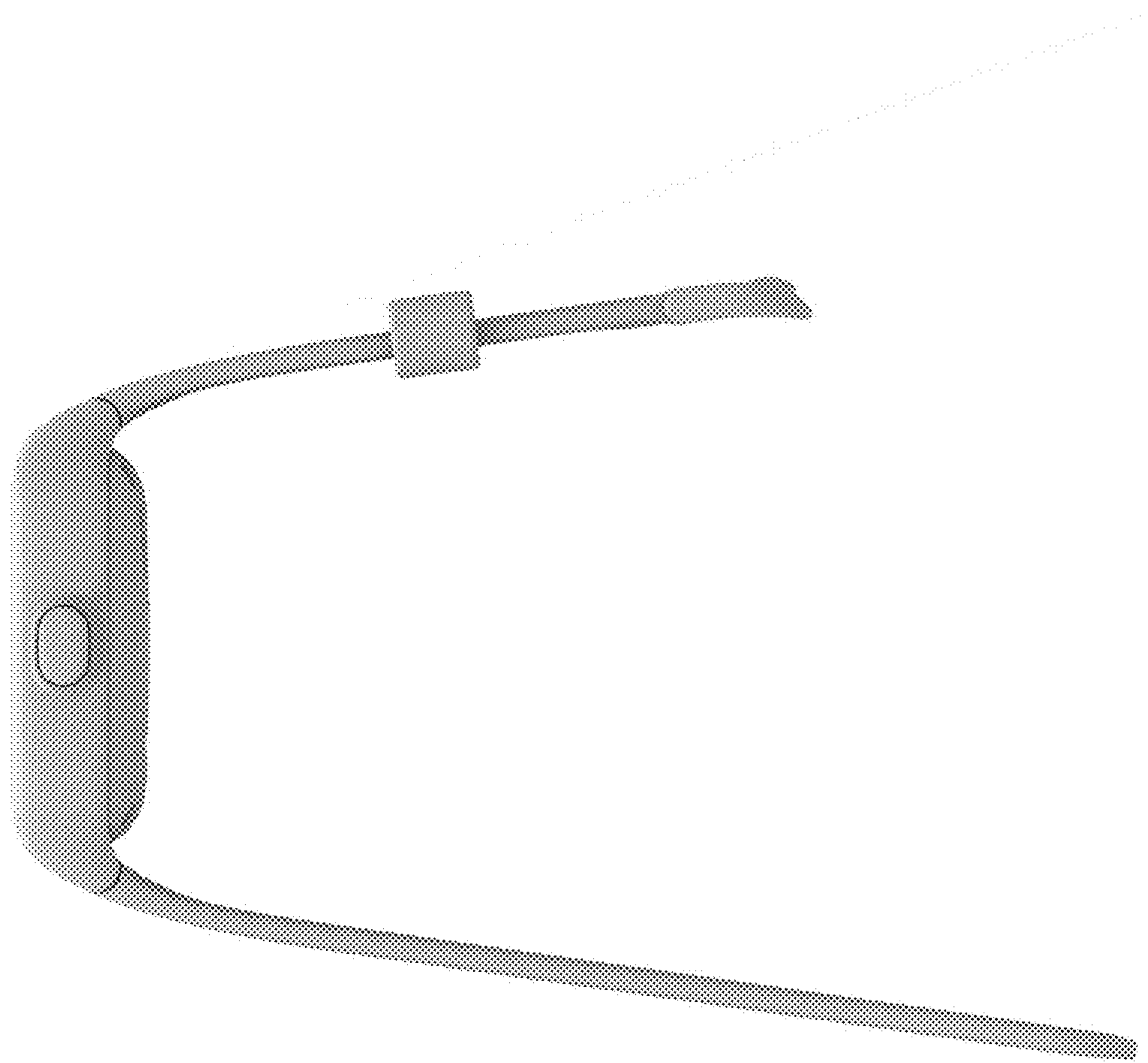


FIG. 6

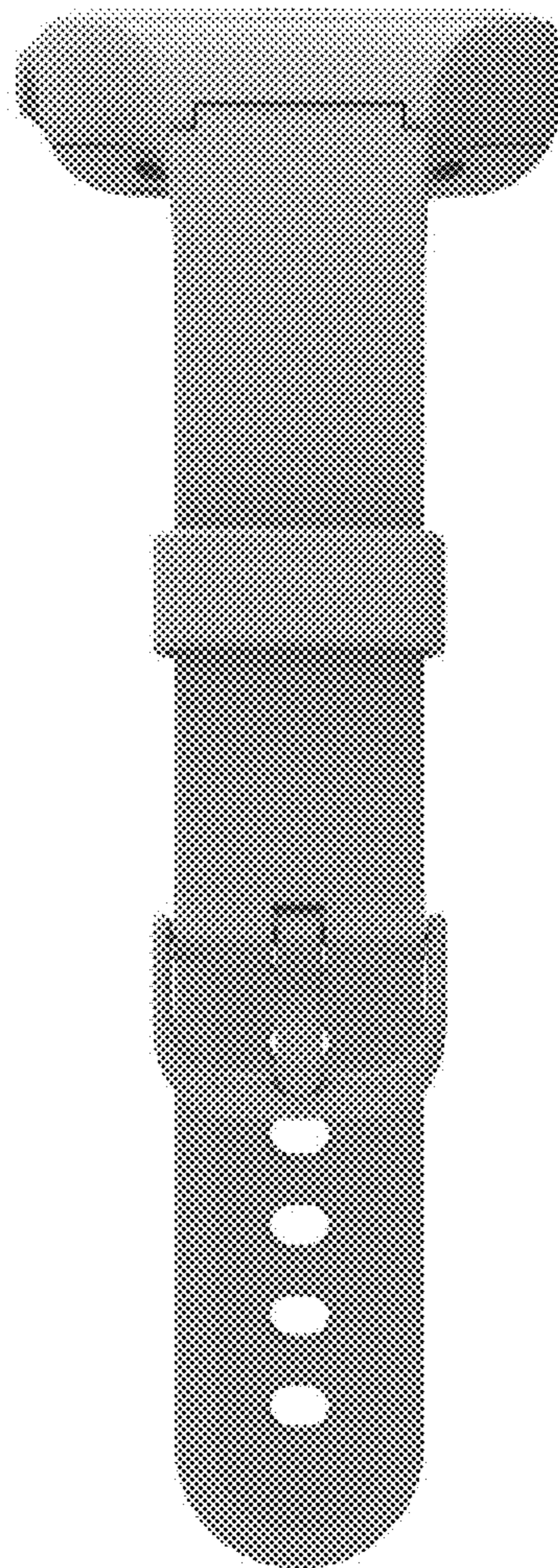


FIG. 7

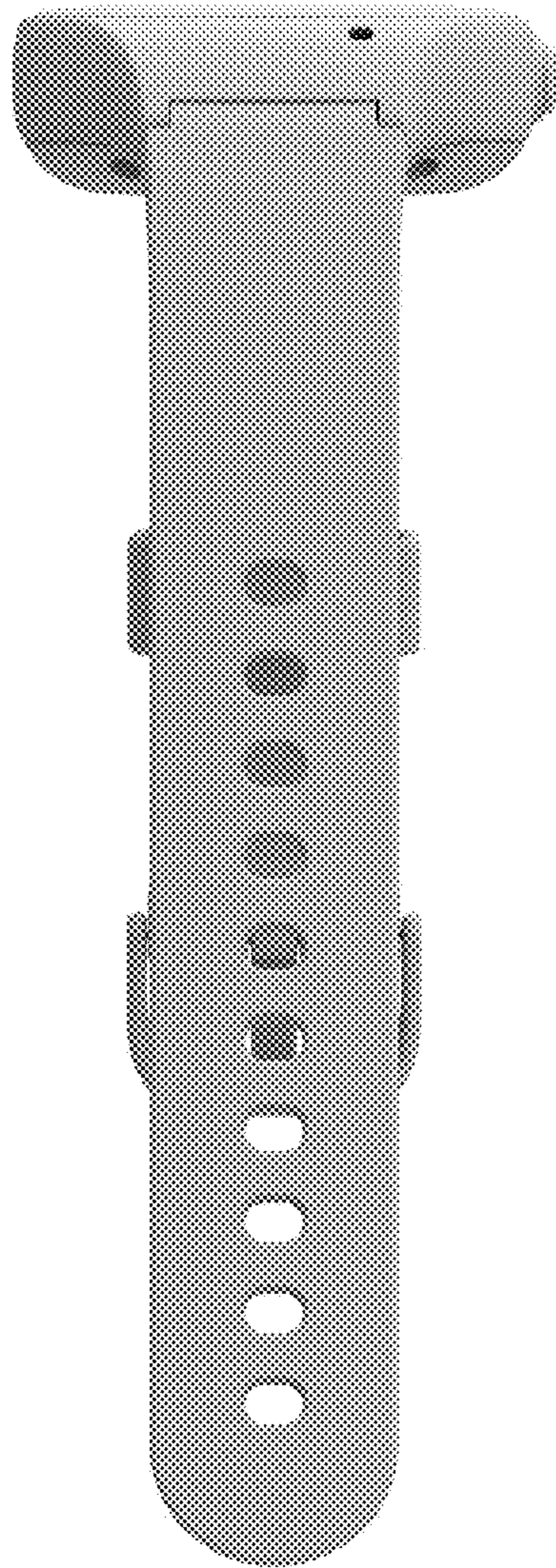


FIG. 8