



US00D837199S

(12) **United States Design Patent**
Entwistle

(10) **Patent No.:** **US D837,199 S**

(45) **Date of Patent:** **** Jan. 1, 2019**

(54) **JOINT MEMBER FOR A MOUNTING UNIT FOR AUDIOVISUAL DEVICES**

(71) Applicant: **URBEN TECHNOLOGIES LIMITED**, St Albans, Hertfordshire (GB)

(72) Inventor: **Mike Entwistle**, St Albans (GB)

(73) Assignee: **Urban Technologies Limited**, St. Albans, Hertfordshire (GB)

(**) Term: **15 Years**

(21) Appl. No.: **29/583,431**

(22) Filed: **Nov. 4, 2016**

(51) **LOC (11) Cl.** **14-03**

(52) **U.S. Cl.**
USPC **D14/251; D16/200**

(58) **Field of Classification Search**
USPC D14/251, 240, 217, 447, 253, 496;
224/558; 248/205.3; D16/200, 244
CPC H04B 1/3888; H04M 1/0283; A45C 1/06;
H05K 5/0204
See application file for complete search history.

(56) **References Cited**

U.S. PATENT DOCUMENTS

D387,078 S	*	12/1997	Akita	D16/200
D426,564 S	*	6/2000	Rose	D16/130
D488,648 S		4/2004	Stanton		
D489,828 S	*	5/2004	Barnett	D25/119
D538,318 S	*	3/2007	Sprague	D16/130
D542,820 S	*	5/2007	Depay	D16/202
D560,685 S		1/2008	Lopez		
D603,827 S	*	11/2009	Tompkin	D14/138 AD
D609,727 S	*	2/2010	Adolfsson	D16/200
D610,178 S	*	2/2010	Adolfsson	D16/200
D641,389 S	*	7/2011	Dastagir	D16/219

D655,021 S	*	2/2012	Oetlinger	D25/119
D684,203 S	*	6/2013	Uemachi	D16/200
D684,204 S	*	6/2013	Uemachi	D16/200
D710,025 S		7/2014	Johnson et al.		
D710,921 S	*	8/2014	Gioscia	D16/200
D717,289 S	*	11/2014	Takabatake	D14/252
D722,043 S	*	2/2015	Requa	D13/108
D725,638 S		3/2015	Hofman et al.		
D730,880 S	*	6/2015	Nagata	D14/240
D731,298 S		6/2015	Therrien		
D733,788 S	*	7/2015	Baker	D16/237
D734,136 S		7/2015	Therrien		
D744,473 S	*	12/2015	Tsai	D14/251
D753,642 S	*	4/2016	Iimuro	D14/253
D754,991 S		5/2016	Gosling et al.		

(Continued)

Primary Examiner — Cynthia R Underwood

(74) *Attorney, Agent, or Firm* — Andrew W. Chu; Craft Chu PLLC

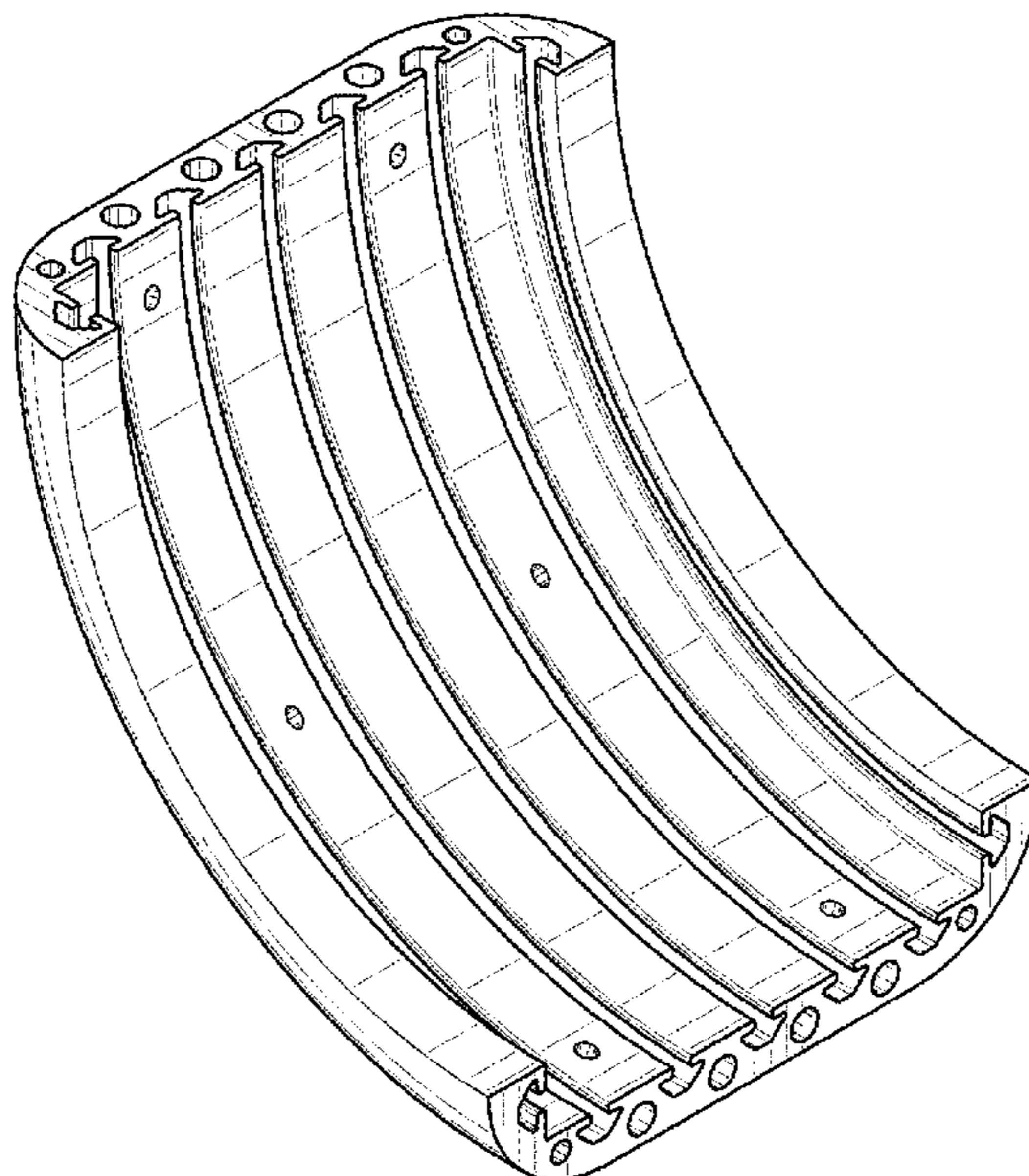
(57) **CLAIM**

The ornamental design for a joint member for a mounting unit for audiovisual devices, as shown and described.

DESCRIPTION

FIG. 1 is an upper perspective view of the joint member for a mounting unit for audiovisual devices showing my design. FIG. 2 is a side elevation view thereof, an opposite side elevation view being identical; FIG. 3 is an end elevation view, an opposite end view being identical; FIG. 4 is a front elevation view thereof, a back elevation view being identical; FIG. 5 is a side perspective view thereof; and, FIG. 6 is a perspective view thereof, showing the joint member for a mounting unit for audiovisual devices in an unclaimed mounting unit. The broken lines in FIG. 6 indicate environment and form no part of the claimed design.

1 Claim, 3 Drawing Sheets



(56)

References Cited

U.S. PATENT DOCUMENTS

D755,994	S	*	5/2016	Oetlinger	D25/121
D759,012	S	*	6/2016	Golden	D10/50
D769,234	S	*	10/2016	Rami	D14/253
D769,346	S	*	10/2016	Nguyen	D16/218
D770,436	S	*	11/2016	Schwarz	D14/251
D770,437	S	*	11/2016	Schwarz	D14/140.8
D770,438	S	*	11/2016	Schwarz	D14/251
D788,094	S	*	5/2017	Kim	D14/250
D788,762	S	*	6/2017	Kim	D14/250
D789,999	S	*	6/2017	Yakabe	D16/200
D798,339	S	*	9/2017	Yang	D14/203.1
D805,569	S	*	12/2017	Daugela	D16/200
D816,070	S	*	4/2018	Marzynski	D14/240
D816,140	S	*	4/2018	Ranetkins	D16/200
D816,656	S	*	5/2018	Kim	D14/253
2008/0088941	A1	*	4/2008	Jiang	G02B 13/08 359/668

* cited by examiner

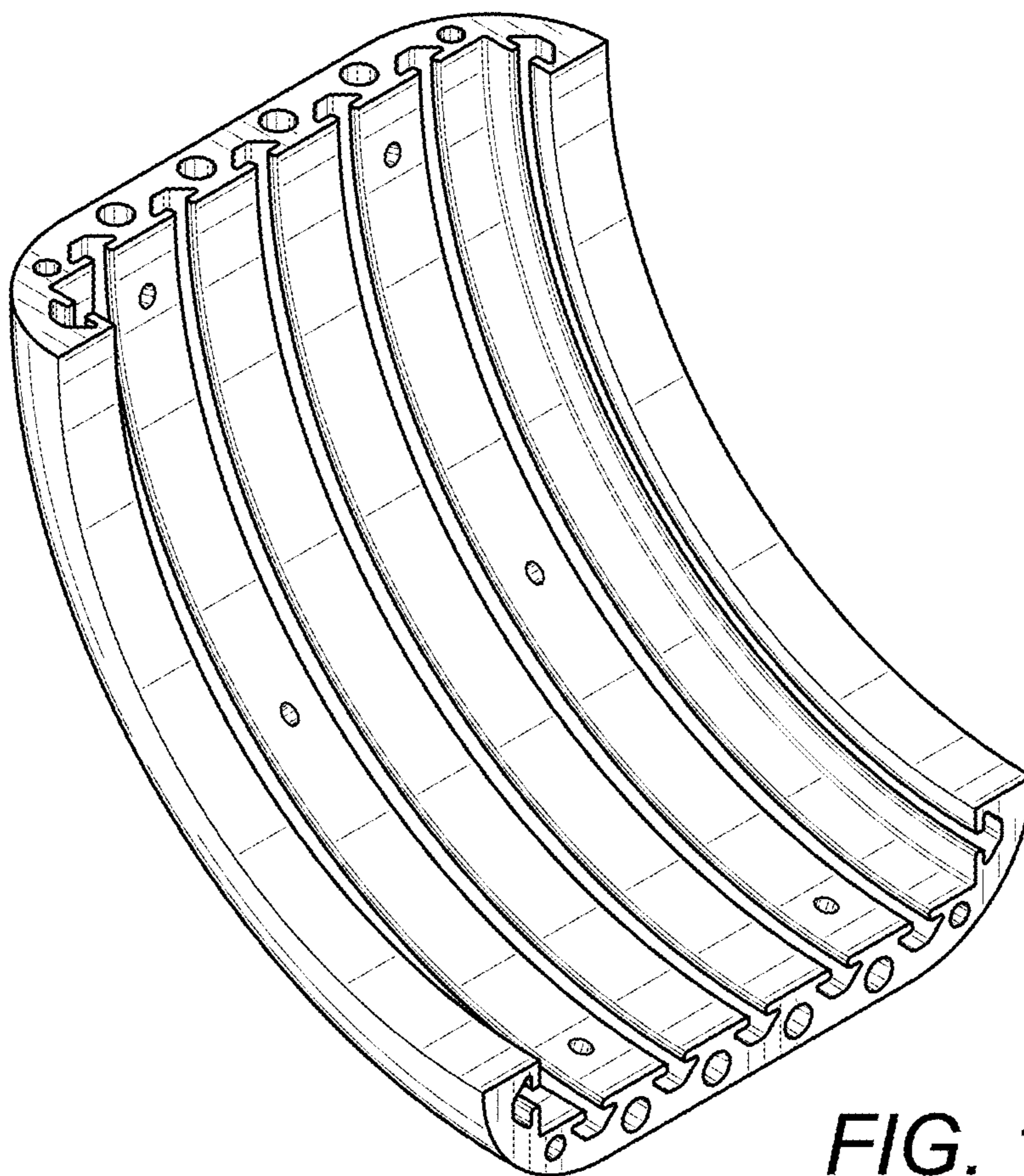


FIG. 1

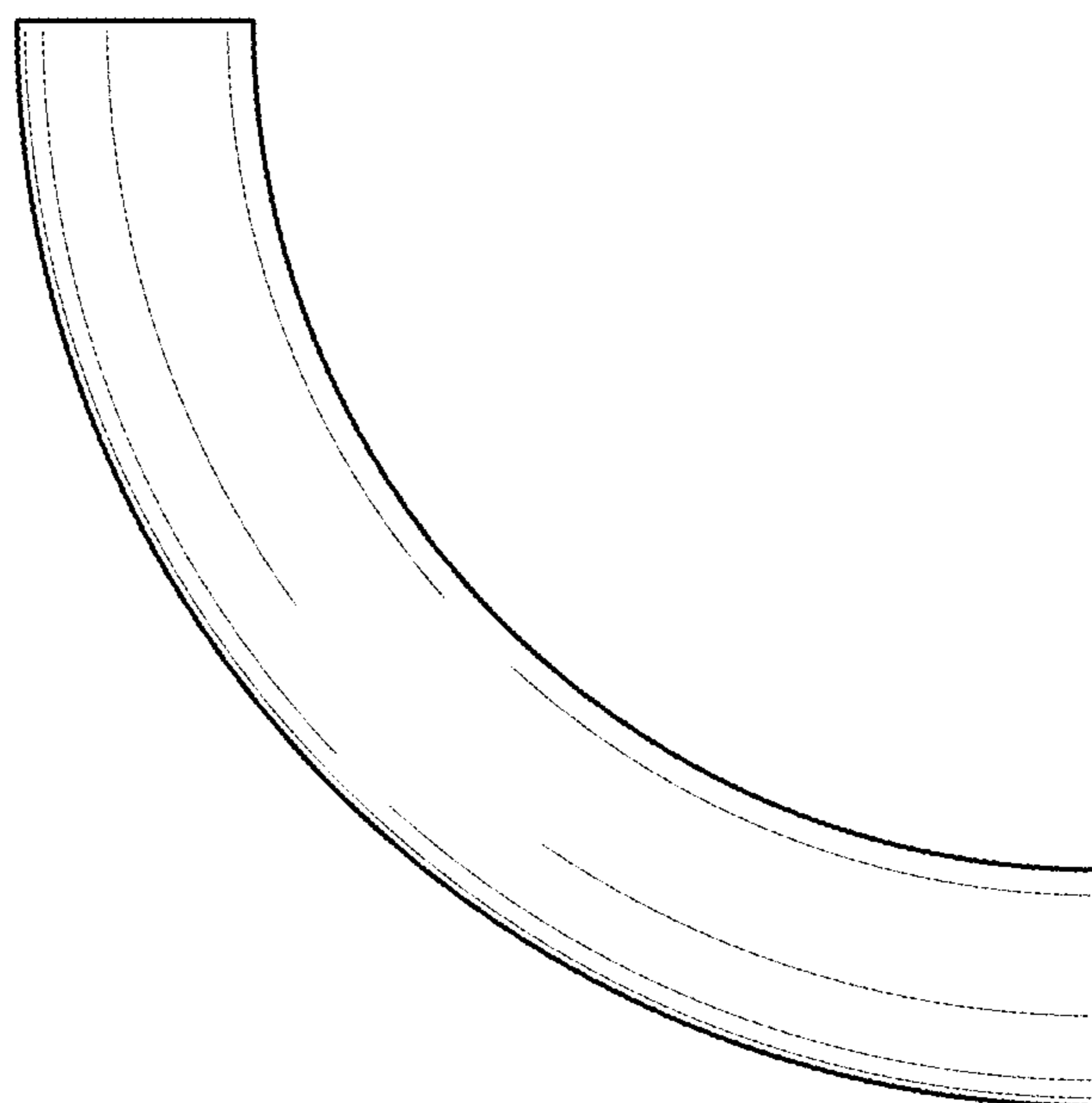


FIG. 2

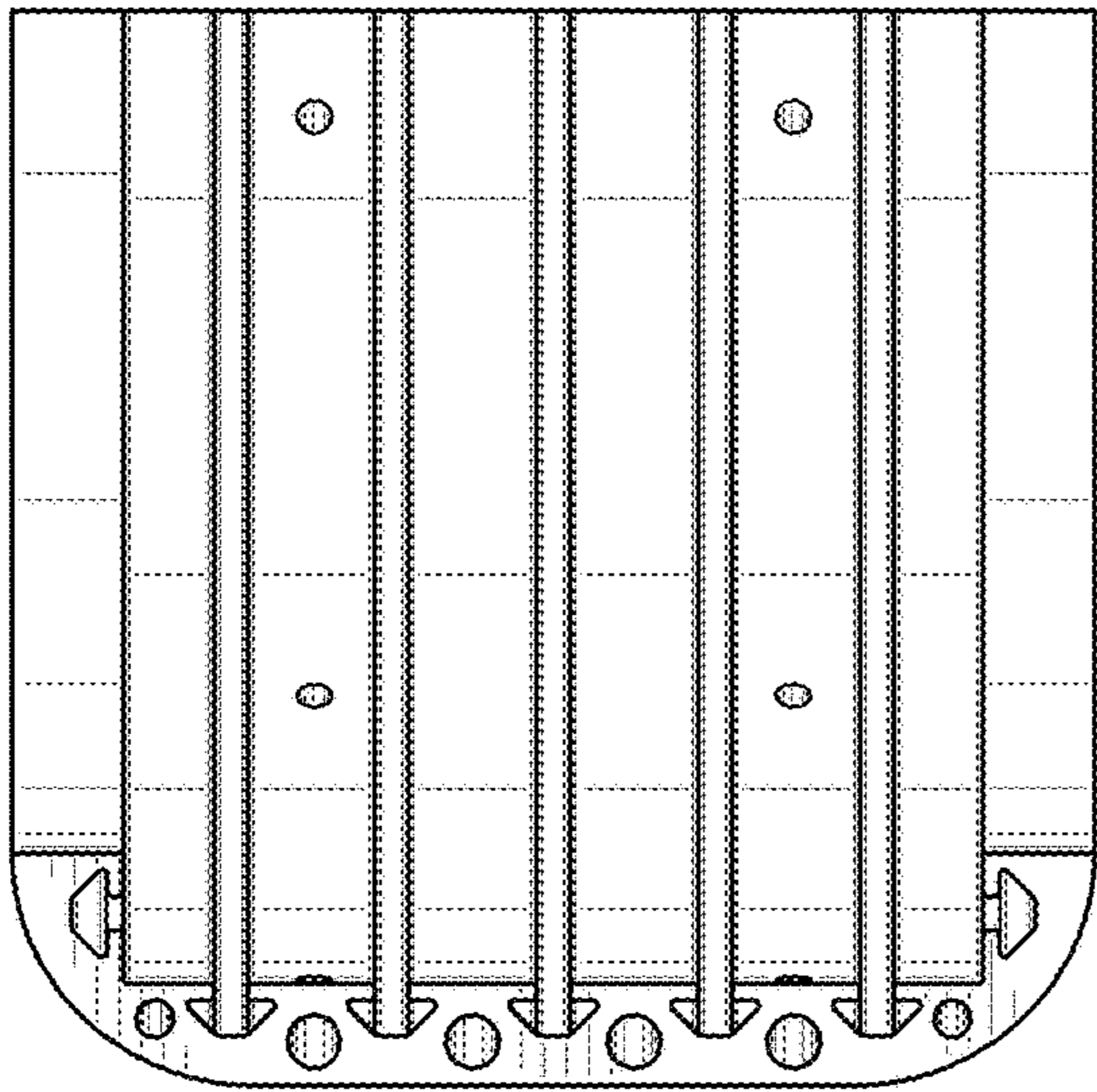


FIG. 3

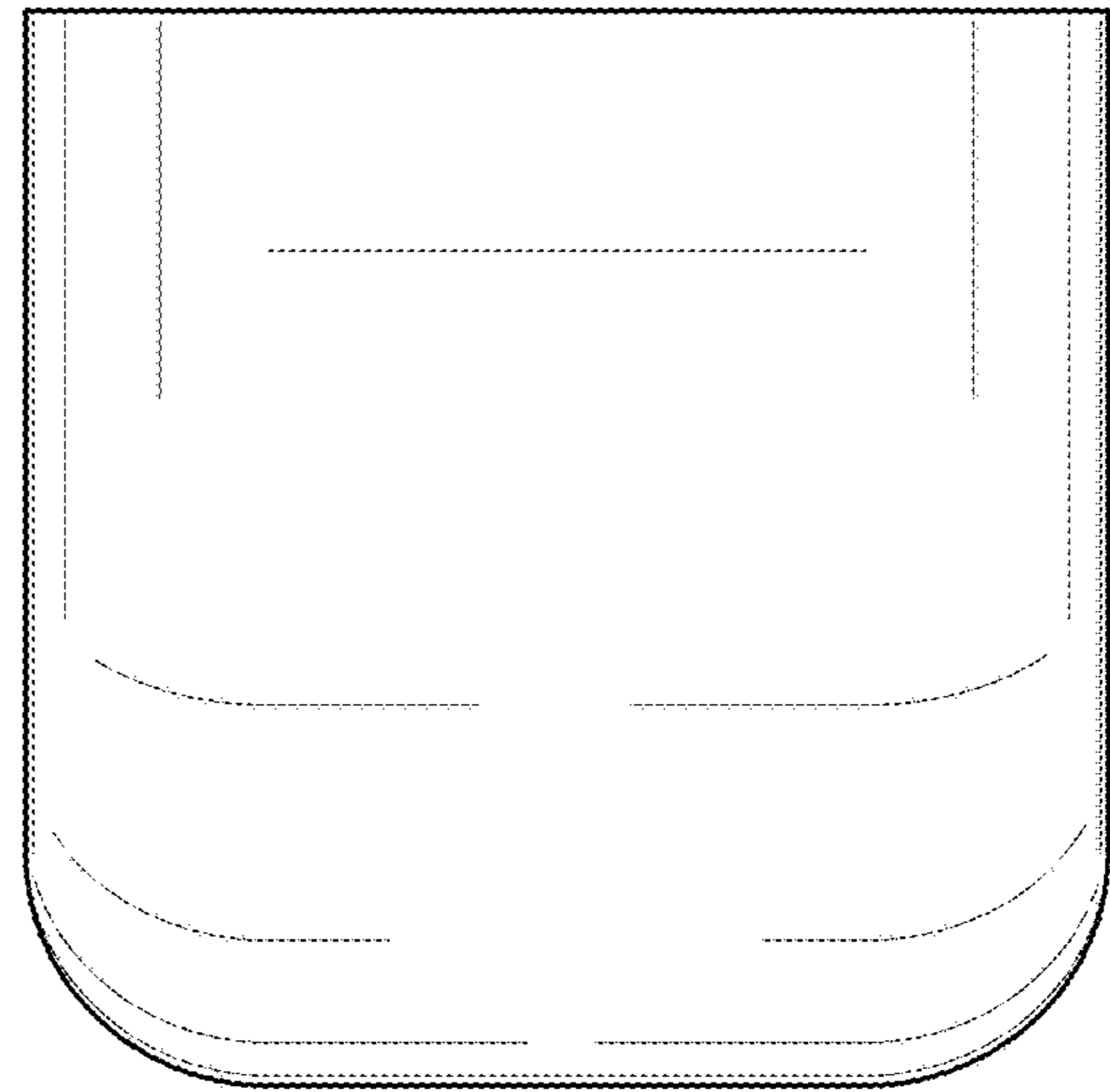


FIG. 4

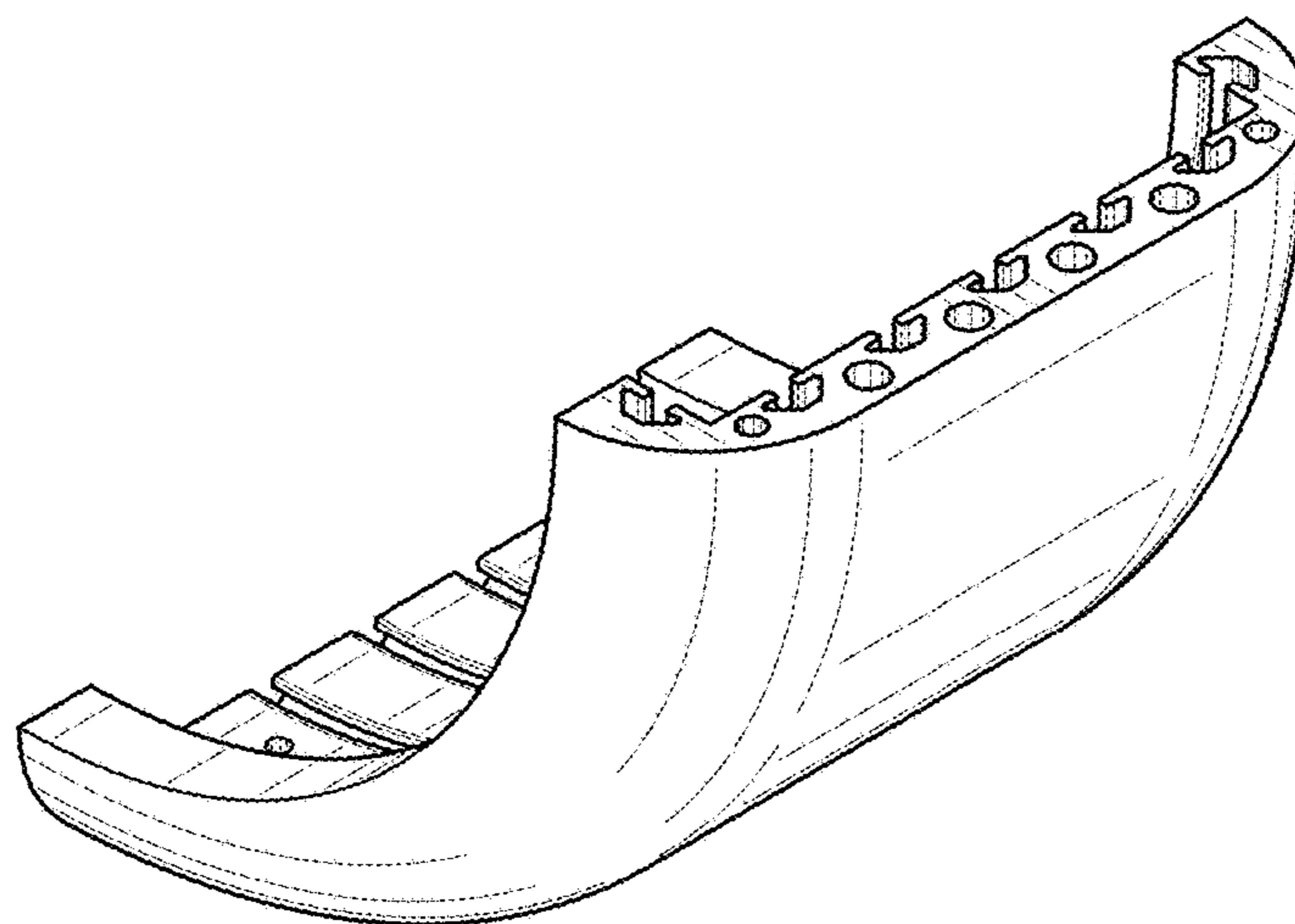


FIG. 5

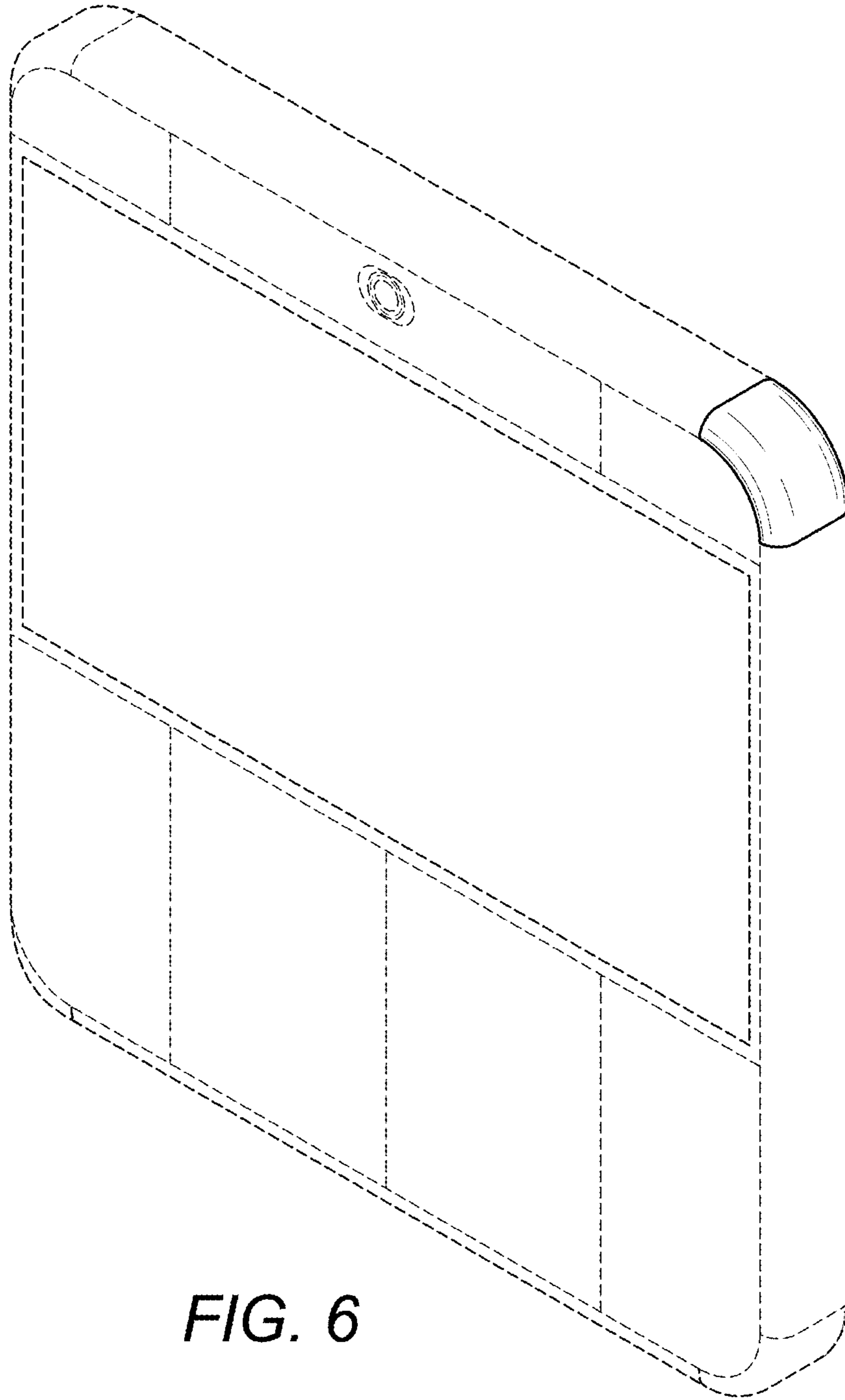


FIG. 6