



US00D837198S

(12) **United States Design Patent**
Entwistle

(10) **Patent No.:** **US D837,198 S**

(45) **Date of Patent:** **** Jan. 1, 2019**

(54) **FRAME MEMBER FOR A MOUNTING UNIT FOR AUDIOVISUAL DEVICES**

(71) Applicant: **URBEN TECHNOLOGIES LIMITED**, St Albans, Hertfordshire (GB)

(72) Inventor: **Mike Entwistle**, St Albans (GB)

(73) Assignee: **Urban Technologies Limited**, St Albans, Hertfordshire (GB)

(**) Term: **15 Years**

(21) Appl. No.: **29/583,428**

(22) Filed: **Nov. 4, 2016**

(30) **Foreign Application Priority Data**

May 5, 2016 (EM) 003111756-0001

(51) **LOC (11) Cl.** **14-03**

(52) **U.S. Cl.**
USPC **D14/251; D16/200**

(58) **Field of Classification Search**
USPC D14/251, 240, 217, 447, 253, 496;
224/558; 248/205.3; D16/200, 244
CPC H04B 1/3888; H04M 1/0283; A45C 1/06;
H05K 5/0204
See application file for complete search history.

(56) **References Cited**

U.S. PATENT DOCUMENTS

D387,078 S * 12/1997 Akita D16/200
D426,564 S * 6/2000 Rose D16/130
D488,648 S 4/2004 Stanton
D489,828 S * 5/2004 Barnett D25/119
D538,318 S * 3/2007 Sprague D16/130
D542,820 S * 5/2007 Depay D16/202
D560,685 S 1/2008 Lopez

D603,827 S * 11/2009 Tompkin D14/138 AD
D609,727 S * 2/2010 Adolfsson D16/200
D610,178 S * 2/2010 Adolfsson D16/200
D641,389 S * 7/2011 Dastagir D16/219
D655,021 S * 2/2012 Oetlinger D25/119
D676,576 S 2/2013 Oetlinger
D684,203 S * 6/2013 Uemachi D16/200
D684,204 S * 6/2013 Uemachi D16/200
D710,025 S 7/2014 Johnson et al.
D710,921 S * 8/2014 Gioscia D16/200
D717,289 S * 11/2014 Takabatake D14/252
D720,607 S 1/2015 Kats
D722,043 S * 2/2015 Requa D13/108
D725,638 S 3/2015 Hofman et al.
D730,880 S * 6/2015 Nagata D14/240
D733,788 S * 7/2015 Baker D16/237

(Continued)

Primary Examiner — Cynthia R Underwood

(74) *Attorney, Agent, or Firm* — Andrew W. Chu; Craft Chu PLLC

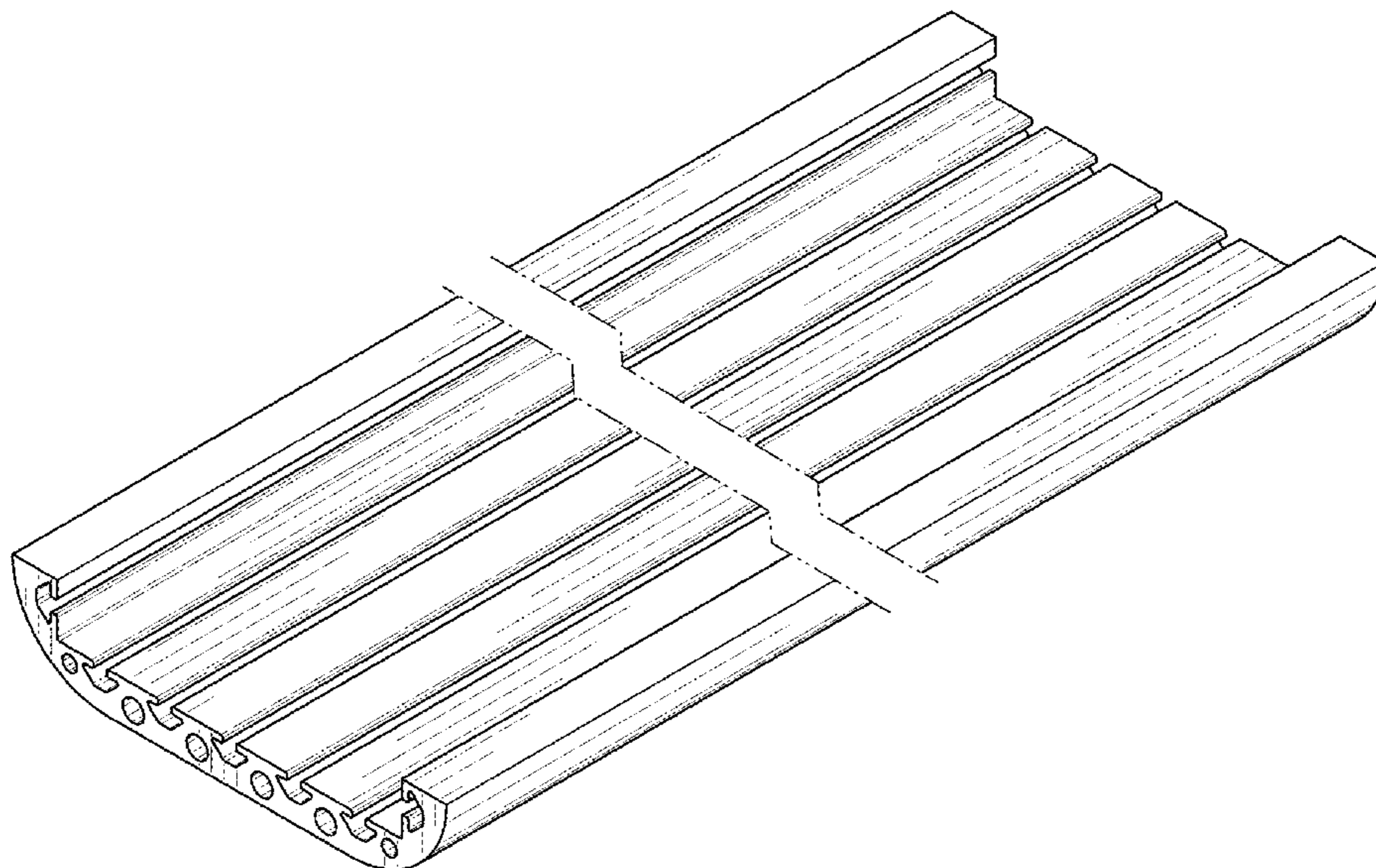
(57) **CLAIM**

The ornamental design for a frame member for a mounting unit for audiovisual devices, as shown and described.

DESCRIPTION

FIG. 1 is an upper perspective view of the frame member for a mounting unit for audiovisual devices showing my design. FIG. 2 is an end elevation view thereof, an opposite end elevation view being a mirror image thereof; FIG. 3 is a top plan view thereof; FIG. 4 is a bottom plan view thereof; FIG. 5 is a side elevation view thereof, an opposite side elevation view being identical; and, FIG. 6 is a perspective view thereof, showing the frame member in a mounting unit in broken lines. The line break symbols in FIGS. 1 and 3-5 indicate the appearance of any portion of the article between the line breaks forms no part of the claimed design.

1 Claim, 3 Drawing Sheets



(56)

References Cited

U.S. PATENT DOCUMENTS

| | | | | | | |
|--------------|----|---|---------|----------------|-------|-----------------------|
| D744,473 | S | * | 12/2015 | Tsai | | D14/251 |
| D753,642 | S | * | 4/2016 | Iimuro | | D14/253 |
| D754,991 | S | | 5/2016 | Gosling et al. | | |
| D755,994 | S | * | 5/2016 | Oetlinger | | D25/121 |
| D759,012 | S | * | 6/2016 | Golden | | D10/50 |
| D769,234 | S | * | 10/2016 | Rami | | D14/253 |
| D769,346 | S | * | 10/2016 | Nguyen | | D16/218 |
| D770,436 | S | * | 11/2016 | Schwarz | | D14/251 |
| D770,437 | S | * | 11/2016 | Schwarz | | D14/140.8 |
| D770,438 | S | * | 11/2016 | Schwarz | | D14/251 |
| D788,094 | S | * | 5/2017 | Kim | | D14/250 |
| D788,762 | S | * | 6/2017 | Kim | | D14/250 |
| D789,999 | S | * | 6/2017 | Yakabe | | D16/200 |
| D798,339 | S | * | 9/2017 | Yang | | D14/203.1 |
| D805,569 | S | * | 12/2017 | Daugela | | D16/200 |
| D816,070 | S | * | 4/2018 | Marzynski | | D14/240 |
| D816,140 | S | * | 4/2018 | Ranetkins | | D16/200 |
| D816,656 | S | * | 5/2018 | Kim | | D14/253 |
| 2008/0088941 | A1 | * | 4/2008 | Jiang | | G02B 13/08 359/668 |

* cited by examiner

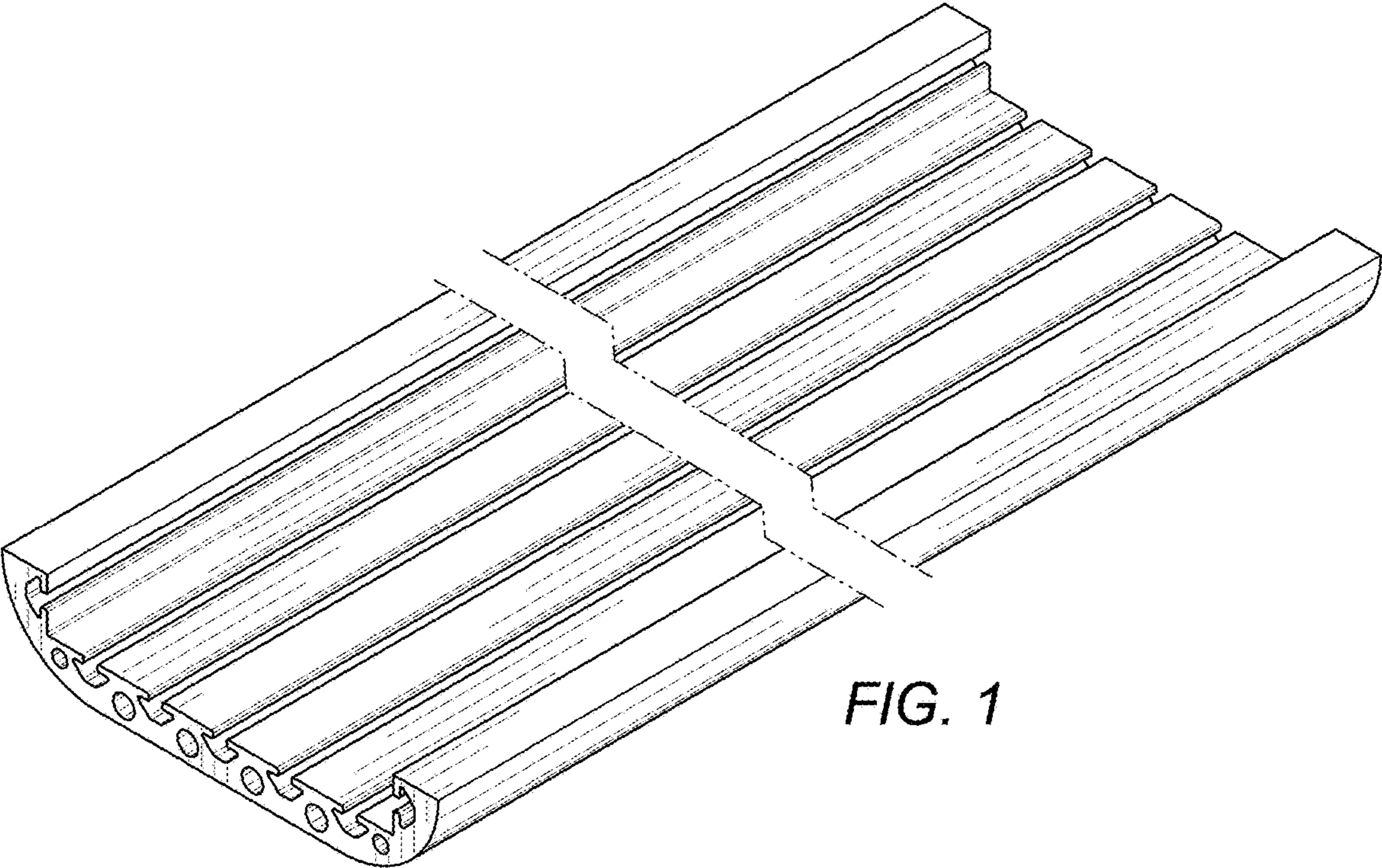


FIG. 1

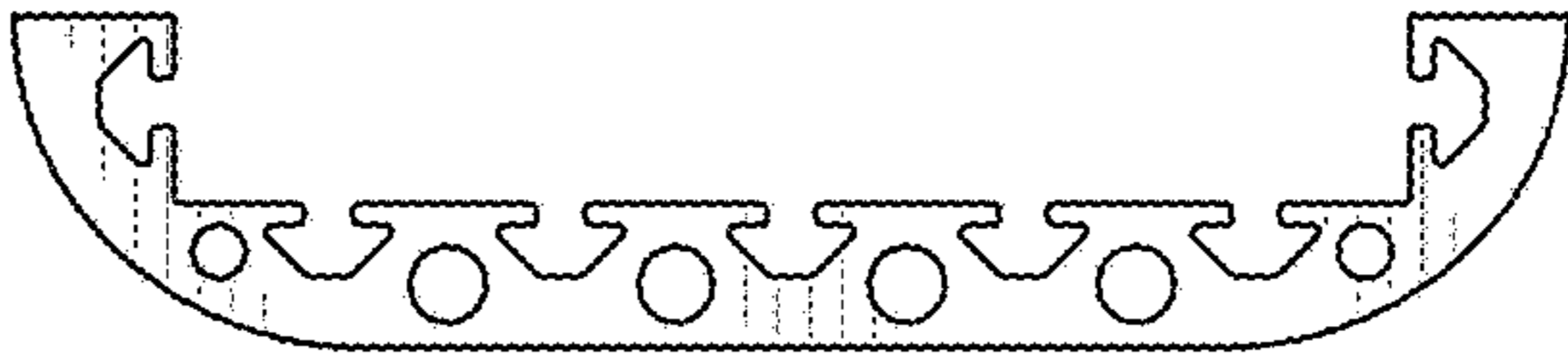


FIG. 2

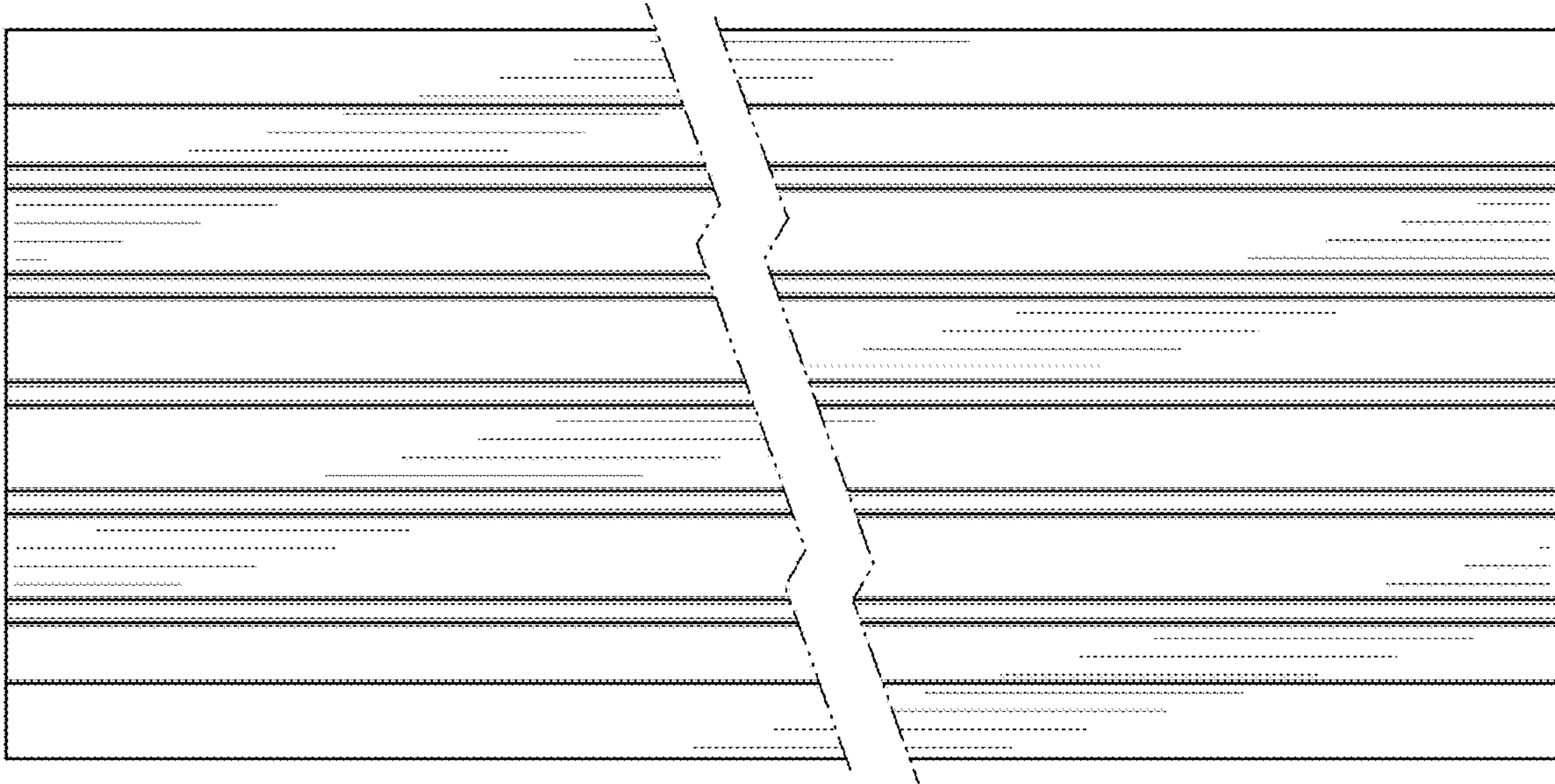


FIG. 3

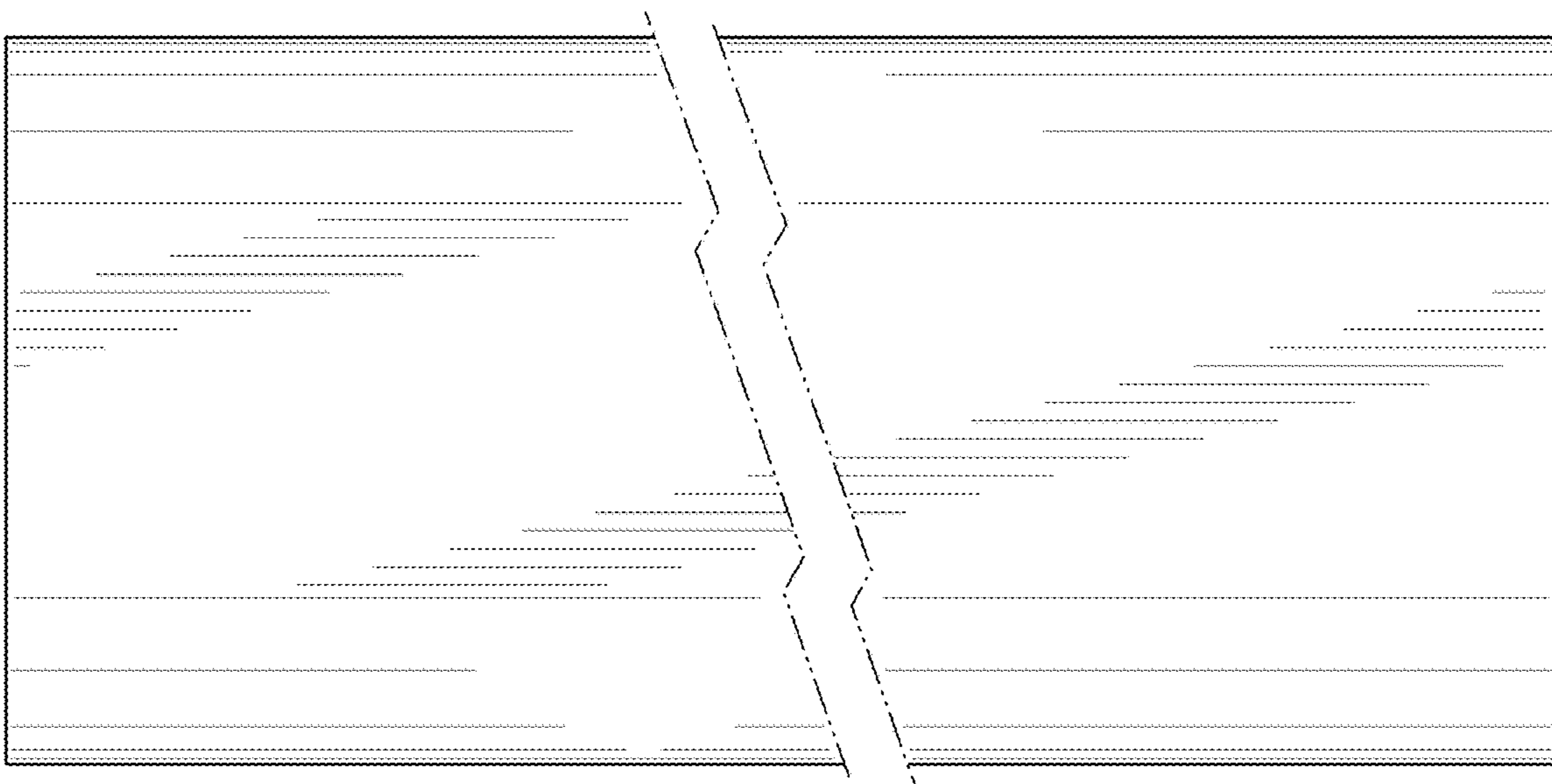


FIG. 4

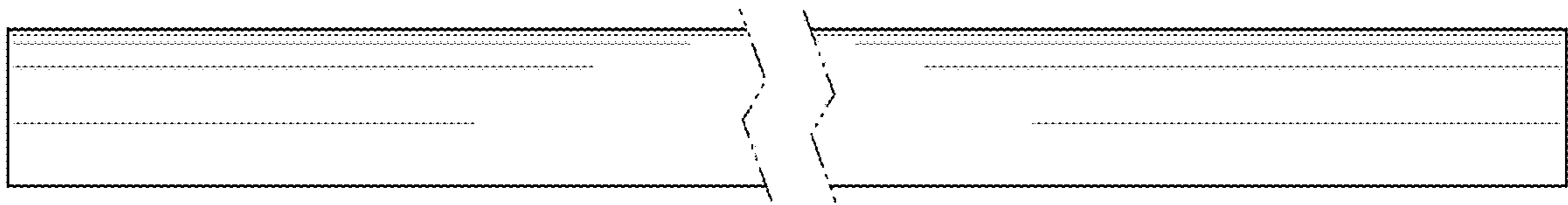


FIG. 5

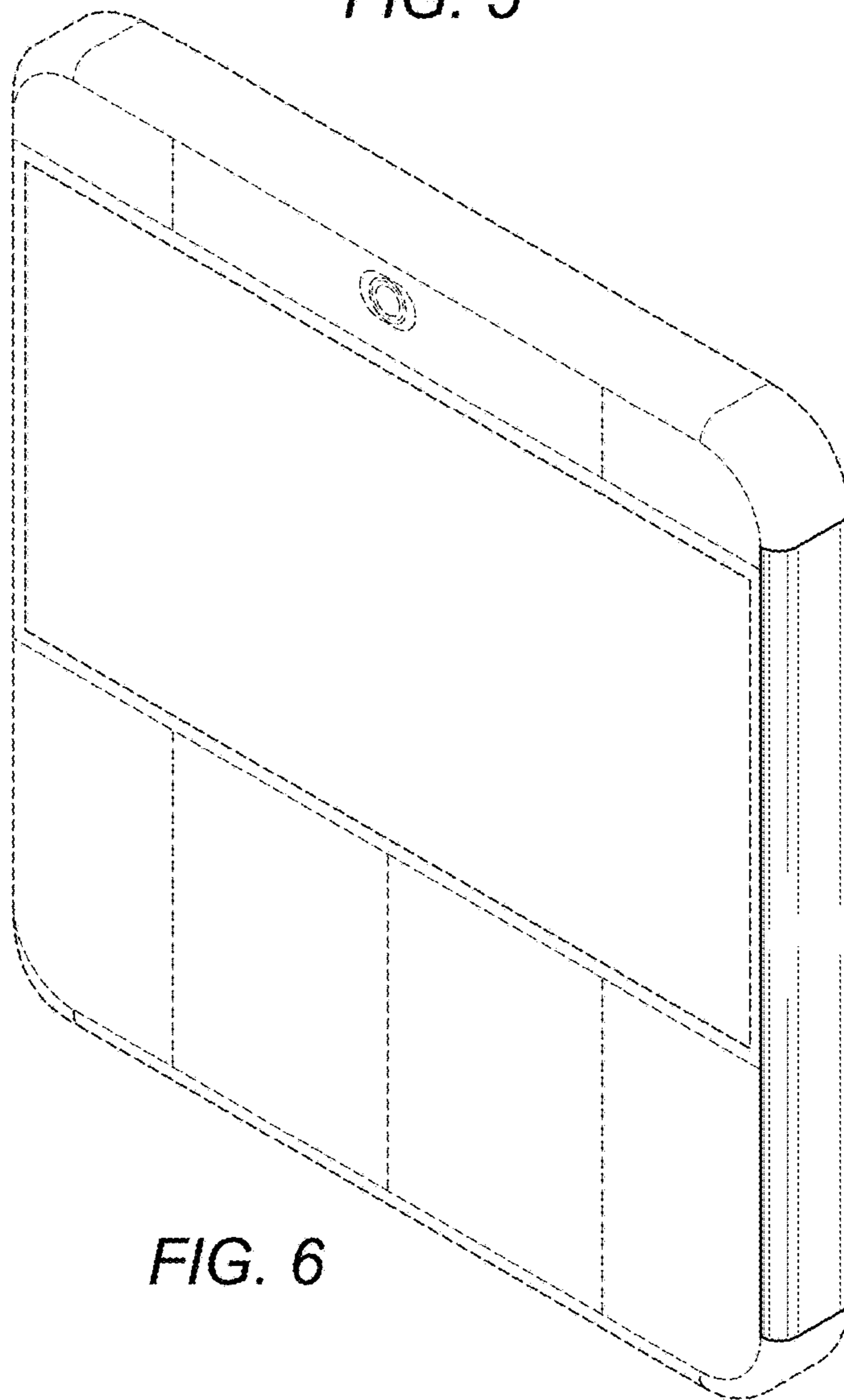


FIG. 6