



US00D837197S

(12) **United States Design Patent** (10) **Patent No.:** **US D837,197 S**
Kim (45) **Date of Patent:** **** Jan. 1, 2019**

(54) **CASE FOR ELECTRONIC DEVICE**
(71) Applicant: **SPIGEN KOREA CO., LTD.**, Seoul (KR)
(72) Inventor: **Dae-Young Kim**, Seoul (KR)
(73) Assignee: **SPIGEN KOREA CO., LTD.**, Seoul (KR)
(**) Term: **15 Years**

(74) *Attorney, Agent, or Firm* — Heedong Chae; Lucem, PC

(21) Appl. No.: **29/617,358**

(57) **CLAIM**

The ornamental design for a case for electronic devices, as shown and described.

(22) Filed: **Sep. 13, 2017**

DESCRIPTION

Related U.S. Application Data

(63) Continuation of application No. 29/506,119, filed on Oct. 13, 2014, now Pat. No. Des. 800,713.

FIG. 1 is a front perspective view of a case for electronic devices showing my new design;
FIG. 2 is a rear perspective view thereof;
FIG. 3 is a front elevational view thereof;
FIG. 4 is a rear elevational view thereof;
FIG. 5 is a left side elevational view thereof;
FIG. 6 is a right side elevational view thereof;
FIG. 7 is a top plan view thereof;
FIG. 8 is a bottom plan view thereof;
FIG. 9 is a three-dimensional view of the case with a support leg extended,
FIG. 10 is a three-dimensional exploded view of the case, showing an outer frame, the support leg, and an inner shell of the case;
FIG. 11 is a front perspective view of the inner shell of the case;
FIG. 12 is a rear perspective view of the inner shell of the case;
FIG. 13 is a rear perspective view of the support leg of the case;
FIG. 14 is a front perspective view of the support leg of the case;
FIG. 15 is a front perspective view of the outer frame of the case; and,
FIG. 16 is a rear perspective view of the outer frame of the case.
The broken line showing of environment is for illustrative purposes only and forms no part of the claimed design.

(51) **LOC (11) Cl.** **14-03**

(52) **U.S. Cl.**
USPC **D14/250**

(58) **Field of Classification Search**

USPC D14/250–253, 440, 203.3–203.7, 217, D14/496, 248, 238.1, 240, 447, 230, 247, D14/341, 345, 346, 439; D3/201, 218, D3/269, 301, 273, 303; D13/103, D13/107–108
CPC . A45C 2011/002; A45C 11/00; A45C 13/002; A45C 2011/003; H04M 1/0283; H04M 1/0202; H04M 1/185; H04B 1/3888
See application file for complete search history.

(56) **References Cited**

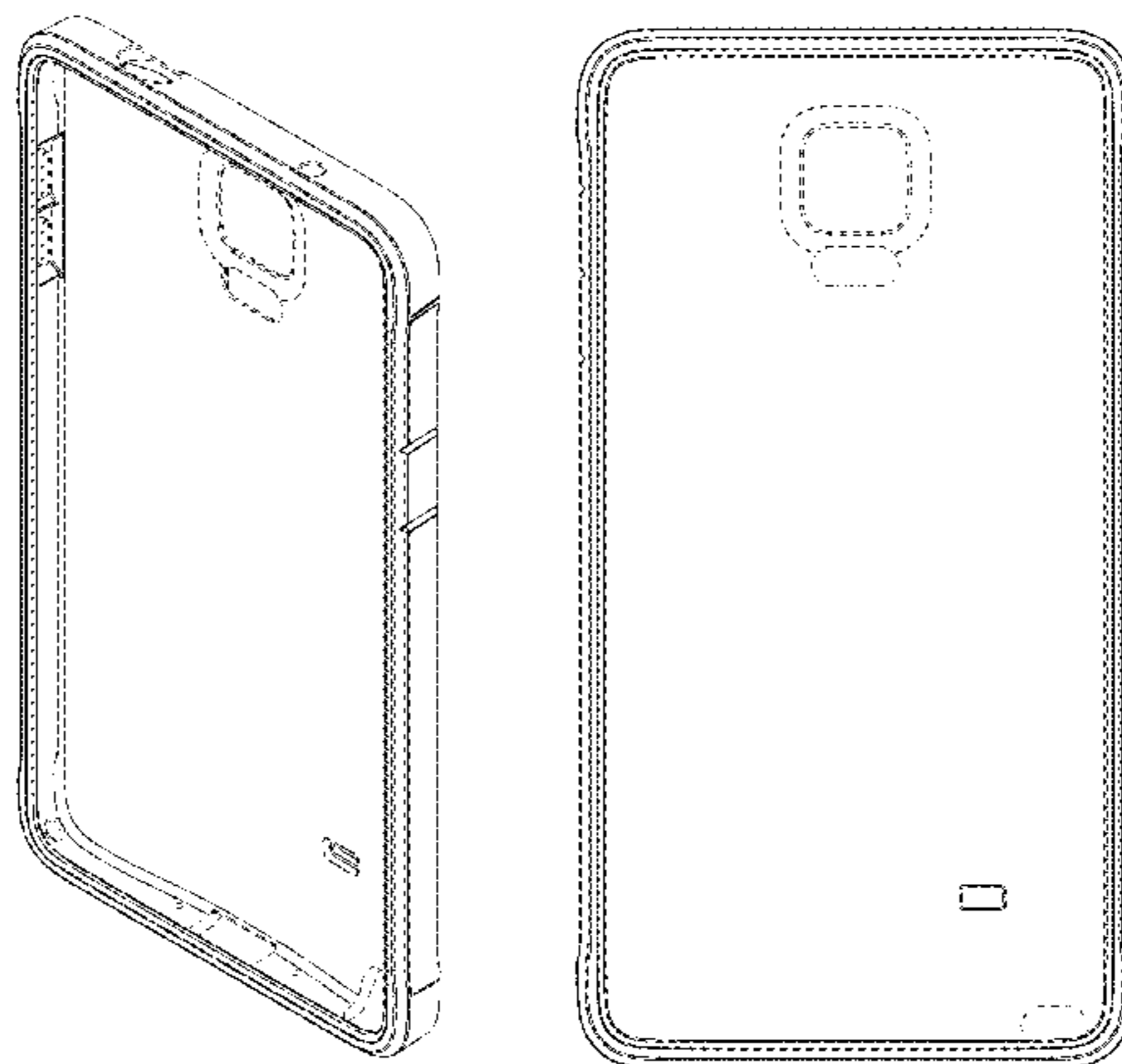
U.S. PATENT DOCUMENTS

D663,263 S 7/2012 Gupta
D679,271 S 4/2013 Liu
D681,615 S 5/2013 Fathollahi
D689,852 S 9/2013 Azoulay
D695,735 S 12/2013 Kitchen
D698,773 S 2/2014 Wildner

(Continued)

Primary Examiner — Sandra S Snapp
Assistant Examiner — Holly E Thurman

1 Claim, 16 Drawing Sheets



(56)

References Cited

U.S. PATENT DOCUMENTS

D700,583 S	3/2014	Bacchus	
D706,254 S	6/2014	Chang	
D721,069 S	1/2015	Havens et al.	
D723,019 S	2/2015	Chan	
D724,572 S	3/2015	Wildner	
D727,304 S	4/2015	Lee	
D729,781 S	5/2015	Lee	
D733,693 S	7/2015	Wang	
D765,633 S	9/2016	Northrup et al.	
D776,104 S	1/2017	Tien	
D780,167 S	2/2017	Tien	
9,628,133 B2 *	4/2017	Kim	H04B 1/3888
D791,755 S *	7/2017	Kim	D14/250
D796,497 S *	9/2017	Kim	D14/250
D800,713 S *	10/2017	Kim	D14/250
D807,338 S *	1/2018	Kim	D14/250

* cited by examiner

FIG. 1

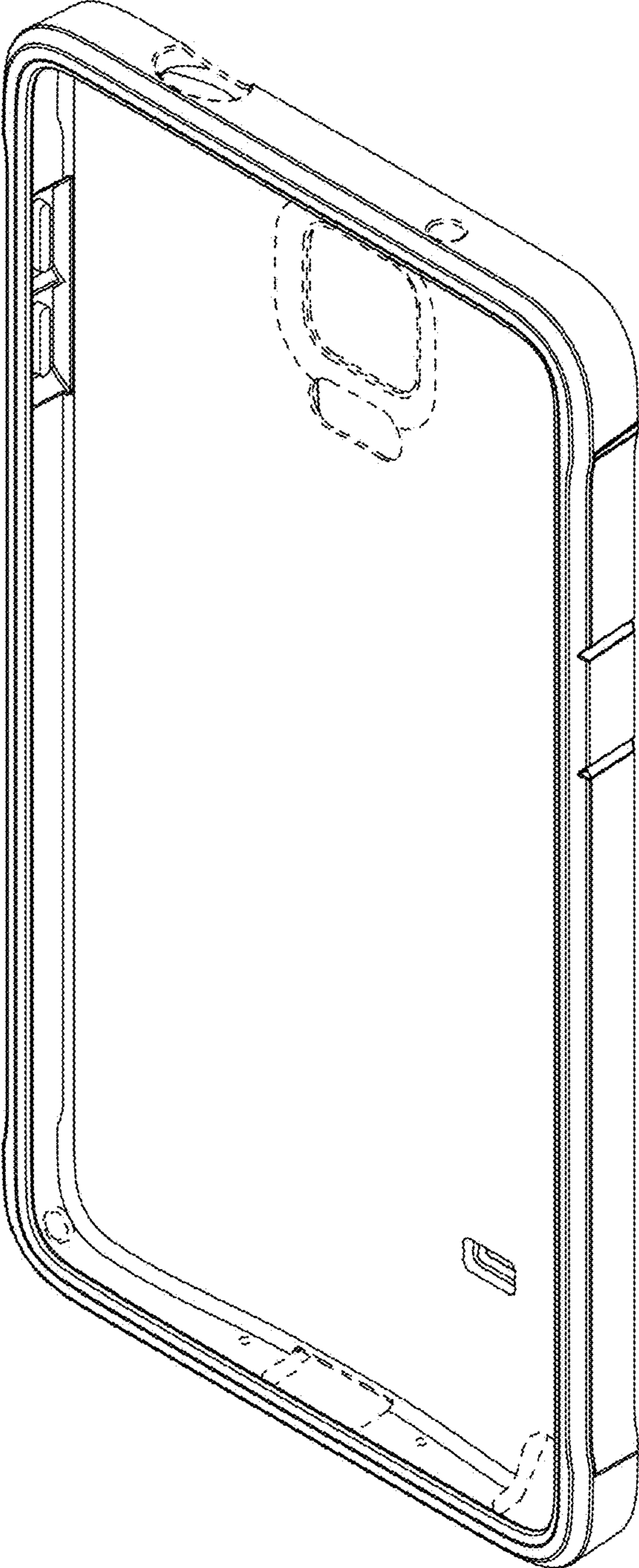


FIG. 2

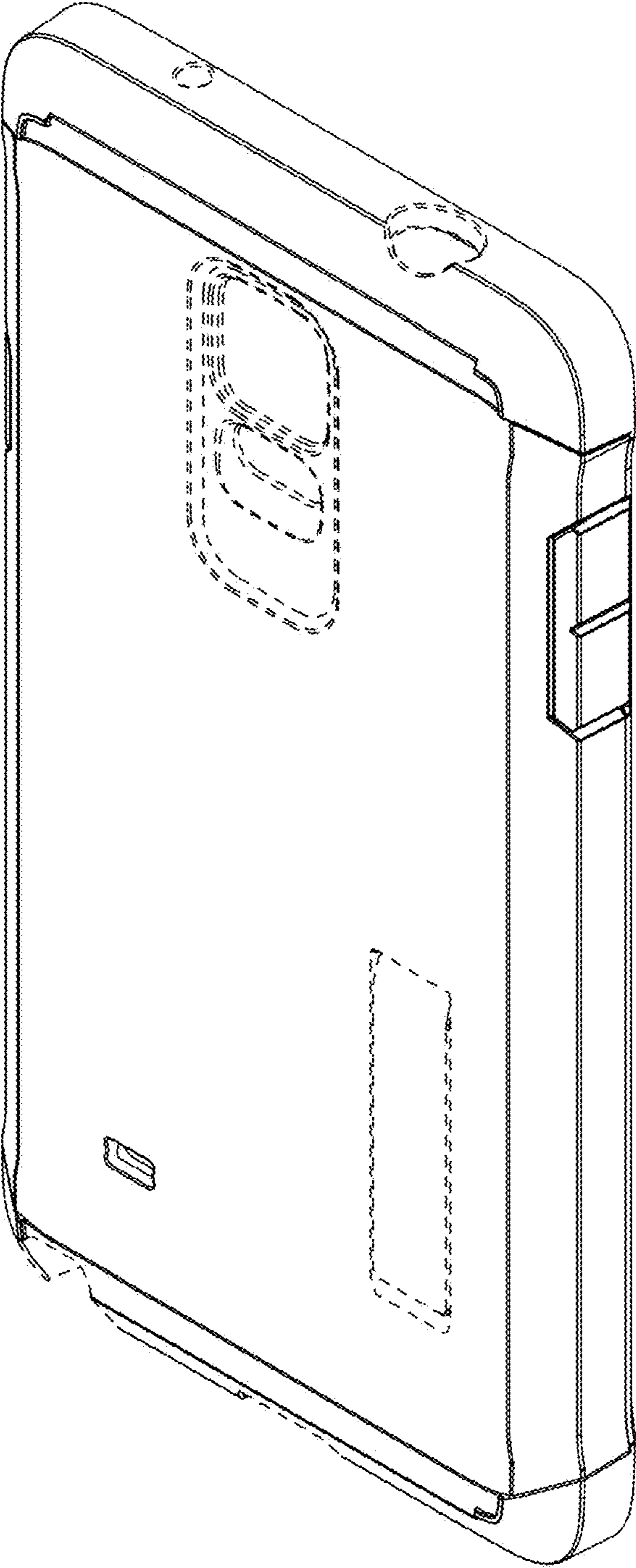


FIG. 3

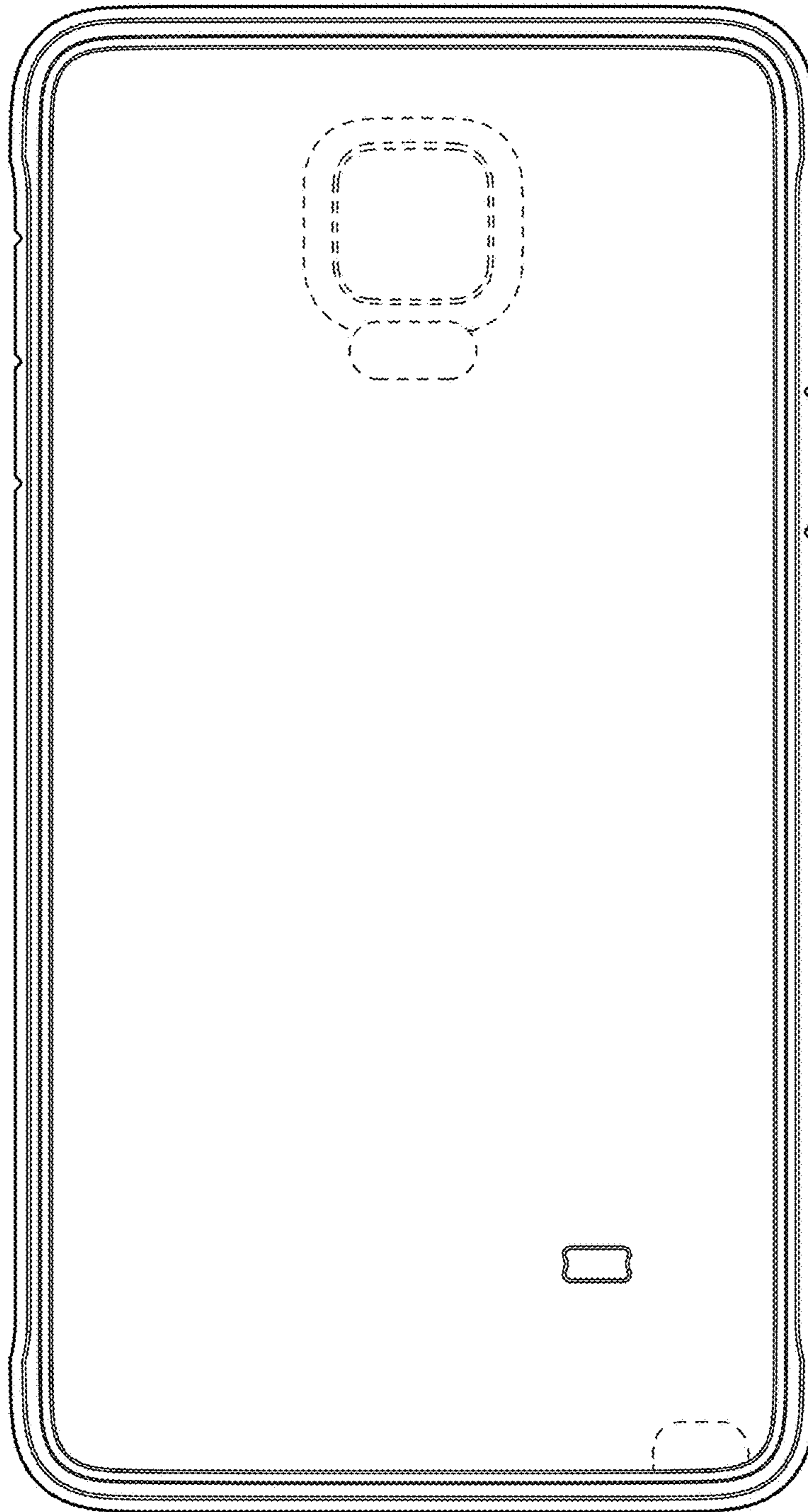


FIG. 4

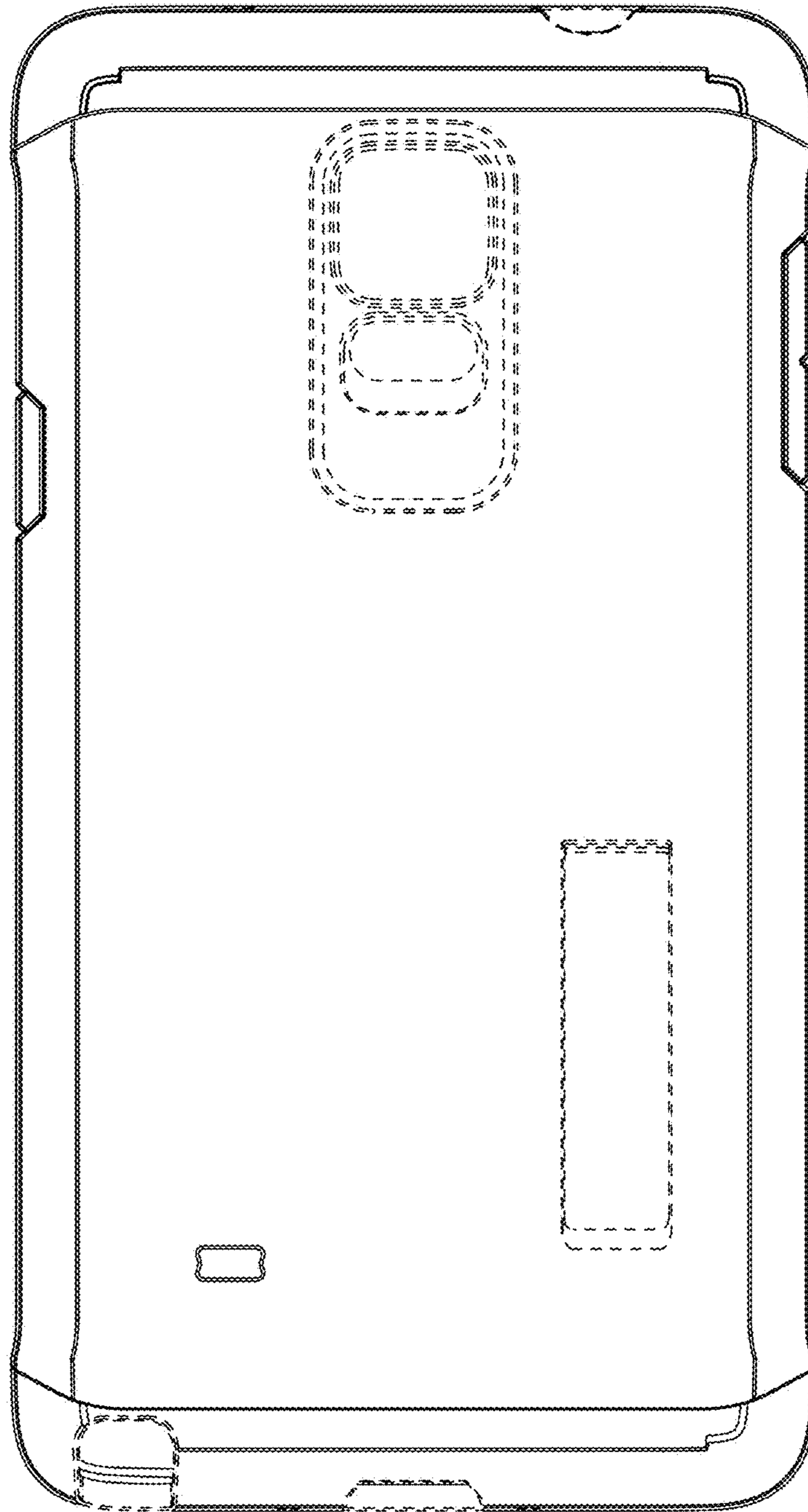


FIG. 5

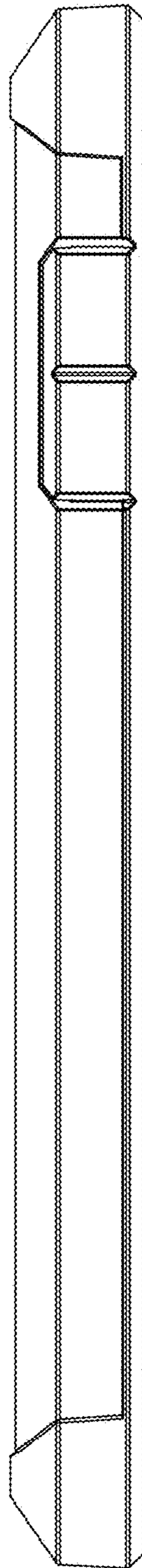


FIG. 6

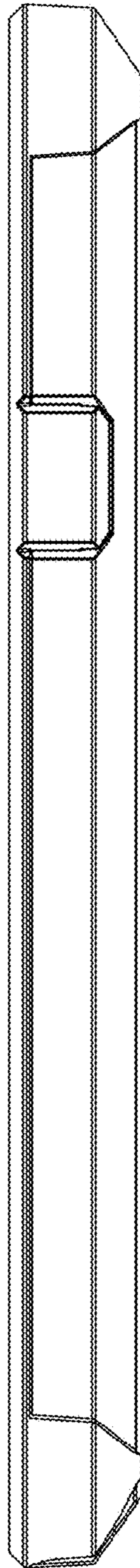


FIG. 7

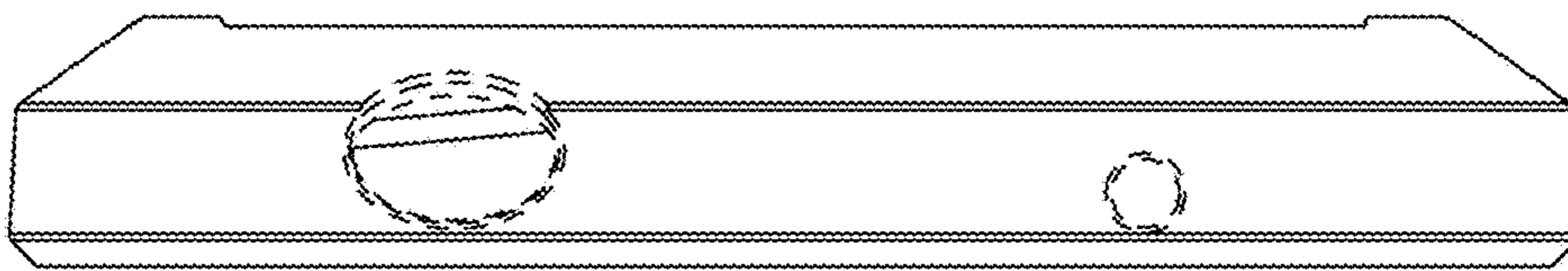


FIG. 8

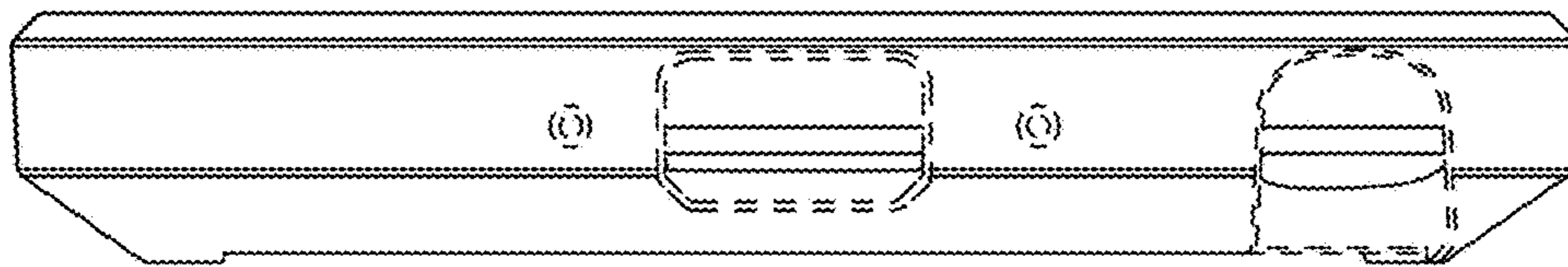


FIG. 9

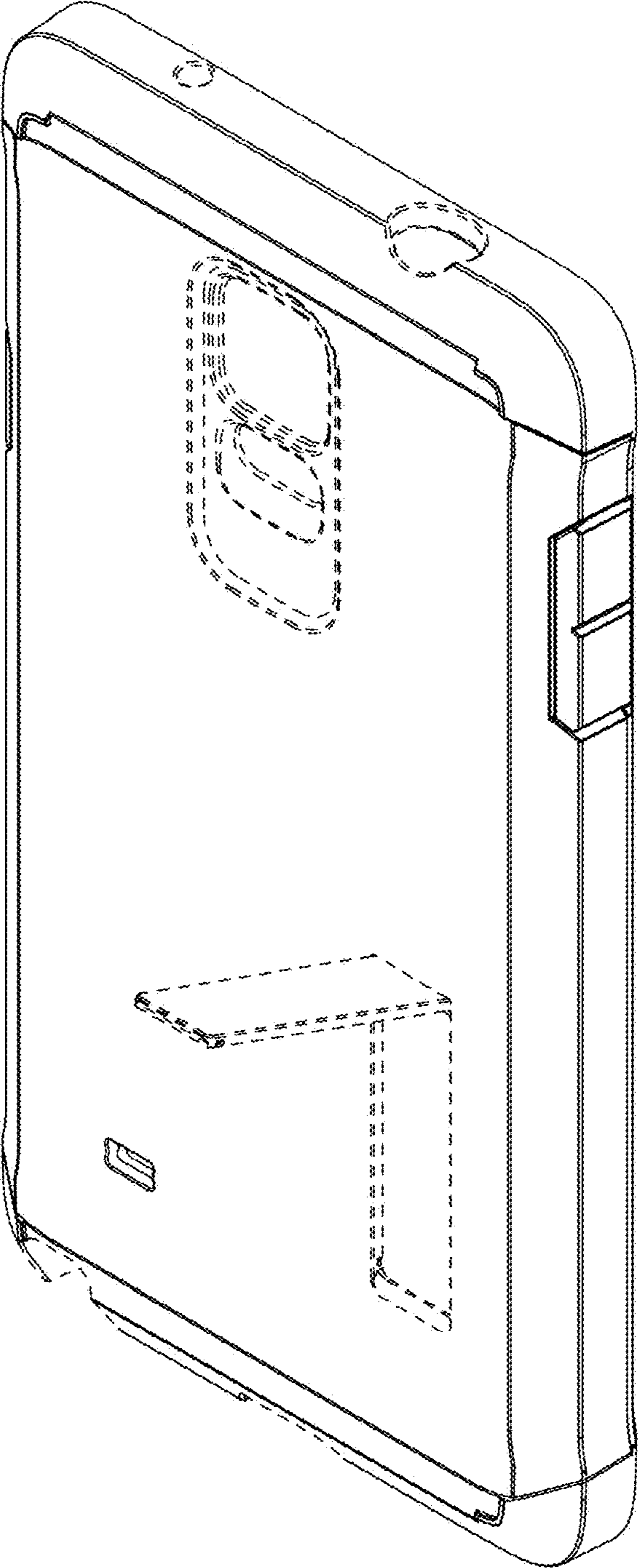


FIG. 10

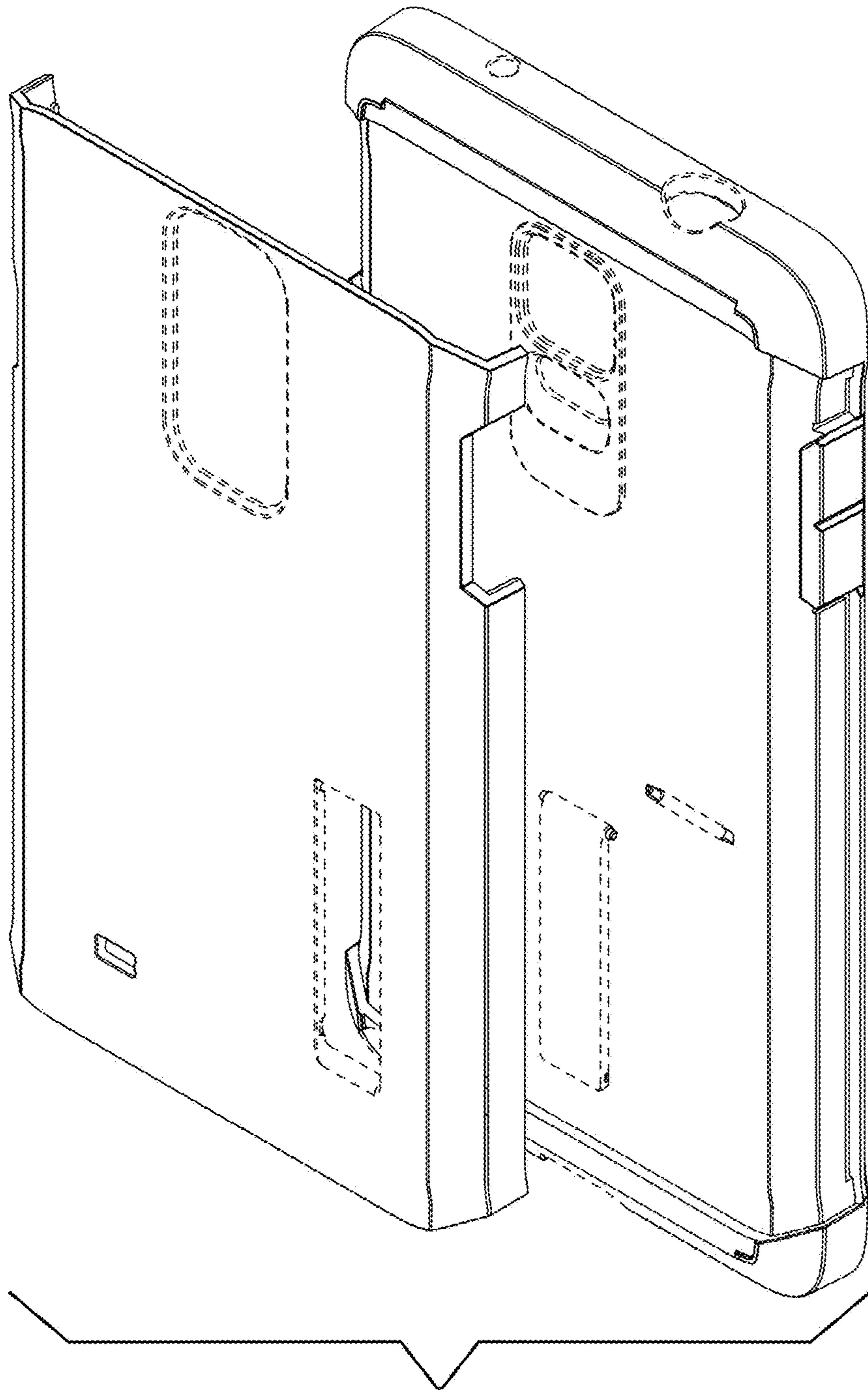


FIG. 11

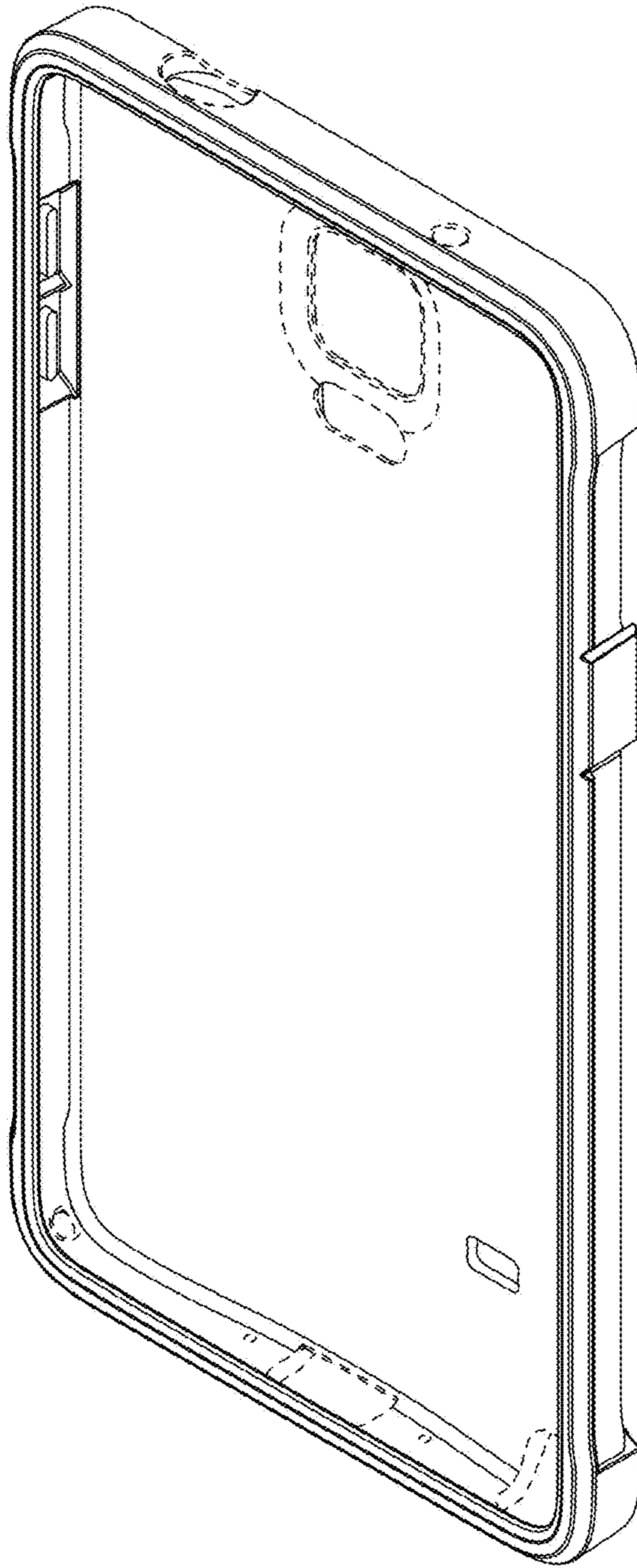


FIG. 12

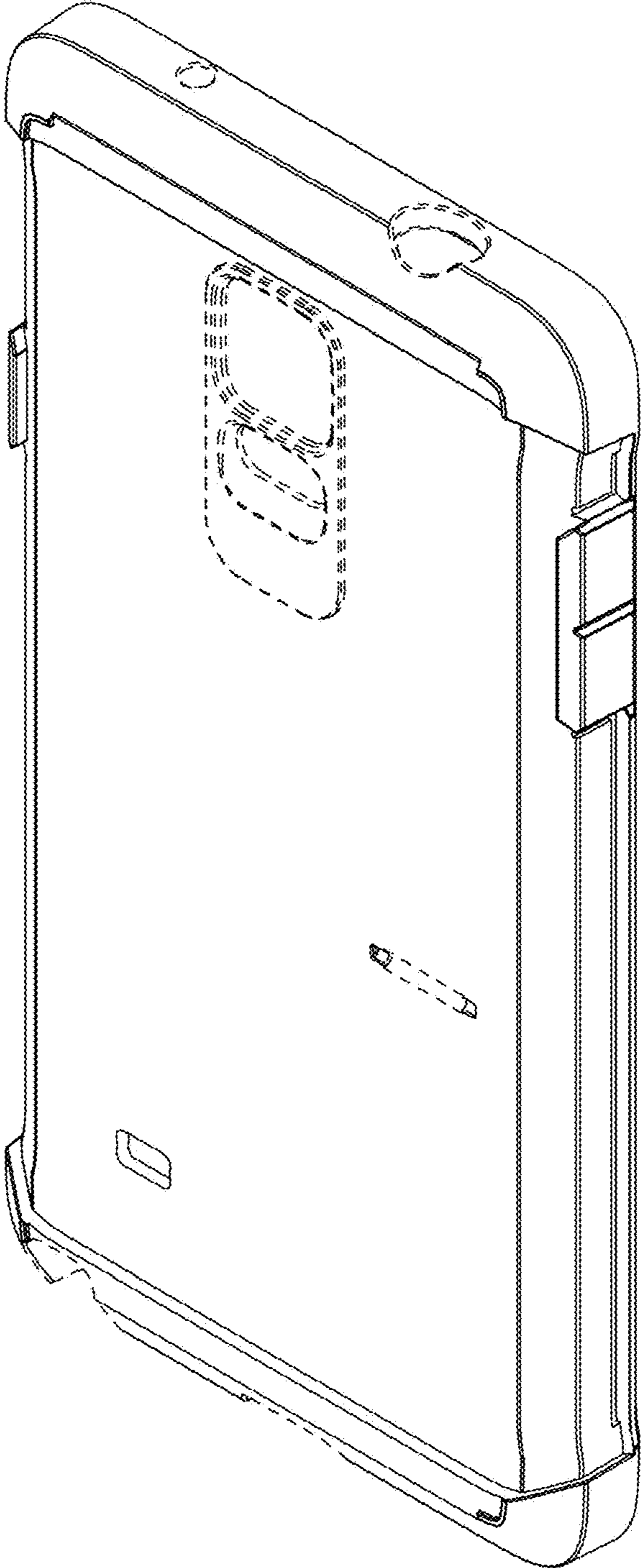


FIG. 13

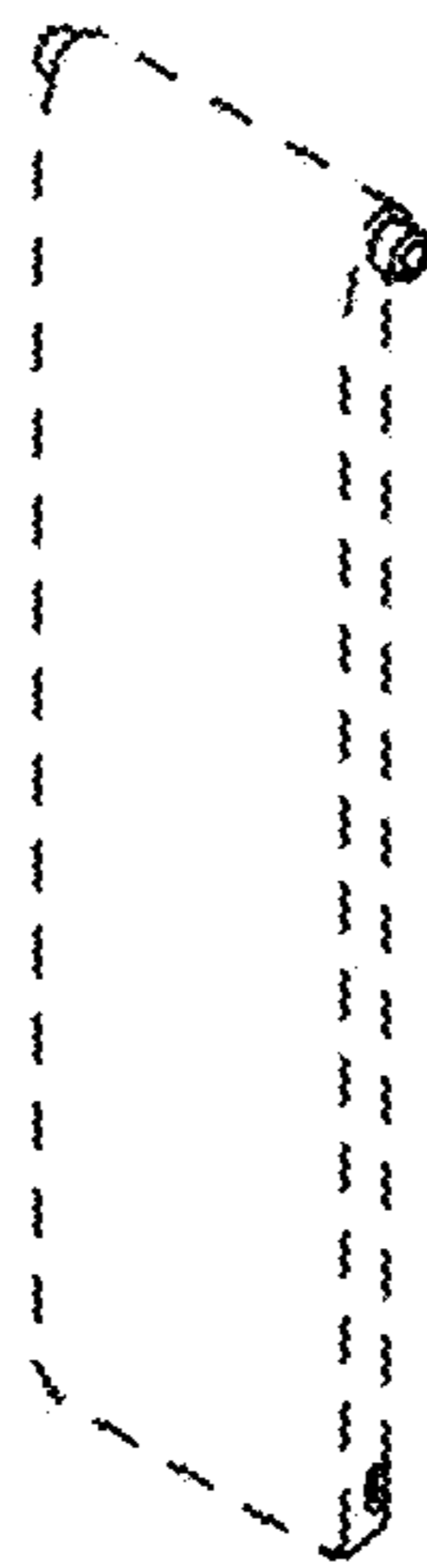


FIG. 14



FIG. 15

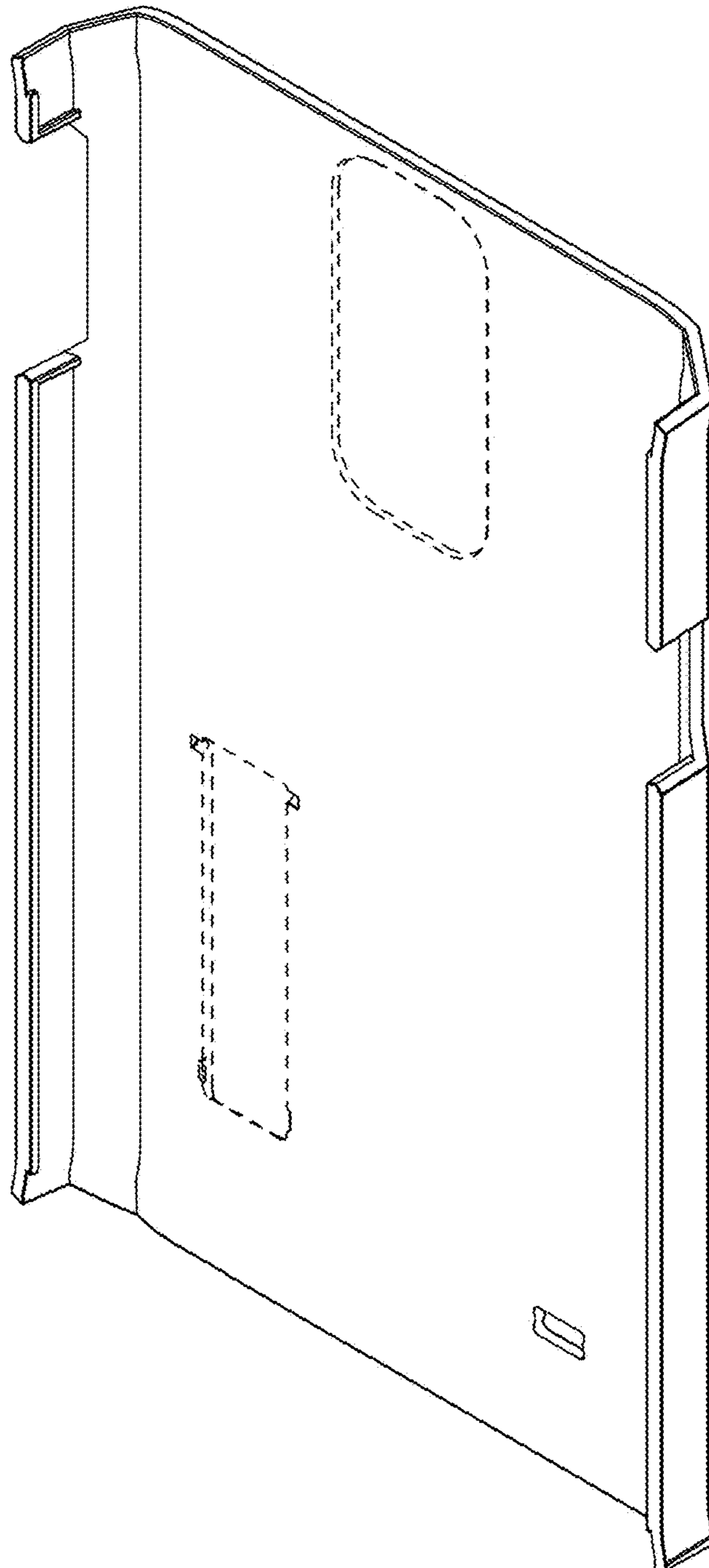


FIG. 16

