

US00D837195S

(12) **United States Design Patent** (10) **Patent No.:** **US D837,195 S**
Kaiser (45) **Date of Patent:** **** *Jan. 1, 2019**

(54) **LIGHTED MIRROR CELL PHONE CASE**
(71) Applicant: **Erik A. Kaiser**, Mendham, NJ (US)
(72) Inventor: **Erik A. Kaiser**, Mendham, NJ (US)
(*) Notice: This patent is subject to a terminal disclaimer.
(**) Term: **15 Years**
(21) Appl. No.: **29/583,518**
(22) Filed: **Nov. 7, 2016**
(51) **LOC (11) Cl.** **14-03**
(52) **U.S. Cl.**
USPC **D14/250**
(58) **Field of Classification Search**
USPC D3/201, 207, 208, 212, 218, 232, 233, D3/239, 242, 245-251, 269, 273, 301, D3/303; D6/308; D13/103, 107, 108, D13/119; D14/137, 138 R, 138 AA, D14/138 C, 138 G, 203.3-203.7, 217, D14/238.1, 247, 248, 250, 251-253, 440
CPC H04B 1/3888; H04M 1/0283; H04M 1/0202; A45C 1/06; A45C 2011/002; A45C 23/02; A45C 11/00; A45F 2005/028; A45F 2200/0525; A45F 2200/0518
See application file for complete search history.

D712,890 S * 9/2014 McCormac D14/250
D713,834 S * 9/2014 Almstrom D14/250
D743,704 S * 11/2015 Kaiser D6/300
D749,329 S * 2/2016 Kaiser D6/300
D765,630 S * 9/2016 Harata D14/250
D772,214 S * 11/2016 Daniel D14/250
2015/0205183 A1* 7/2015 Gsellman G03B 15/02 348/333.12

* cited by examiner

Primary Examiner — Susan E Krakower
Assistant Examiner — L. A. Grabenstetter
(74) *Attorney, Agent, or Firm* — Steven N. Fox, Esq.

(57) **CLAIM**

The ornamental design for a lighted mirror cell phone case, as shown and described.

DESCRIPTION

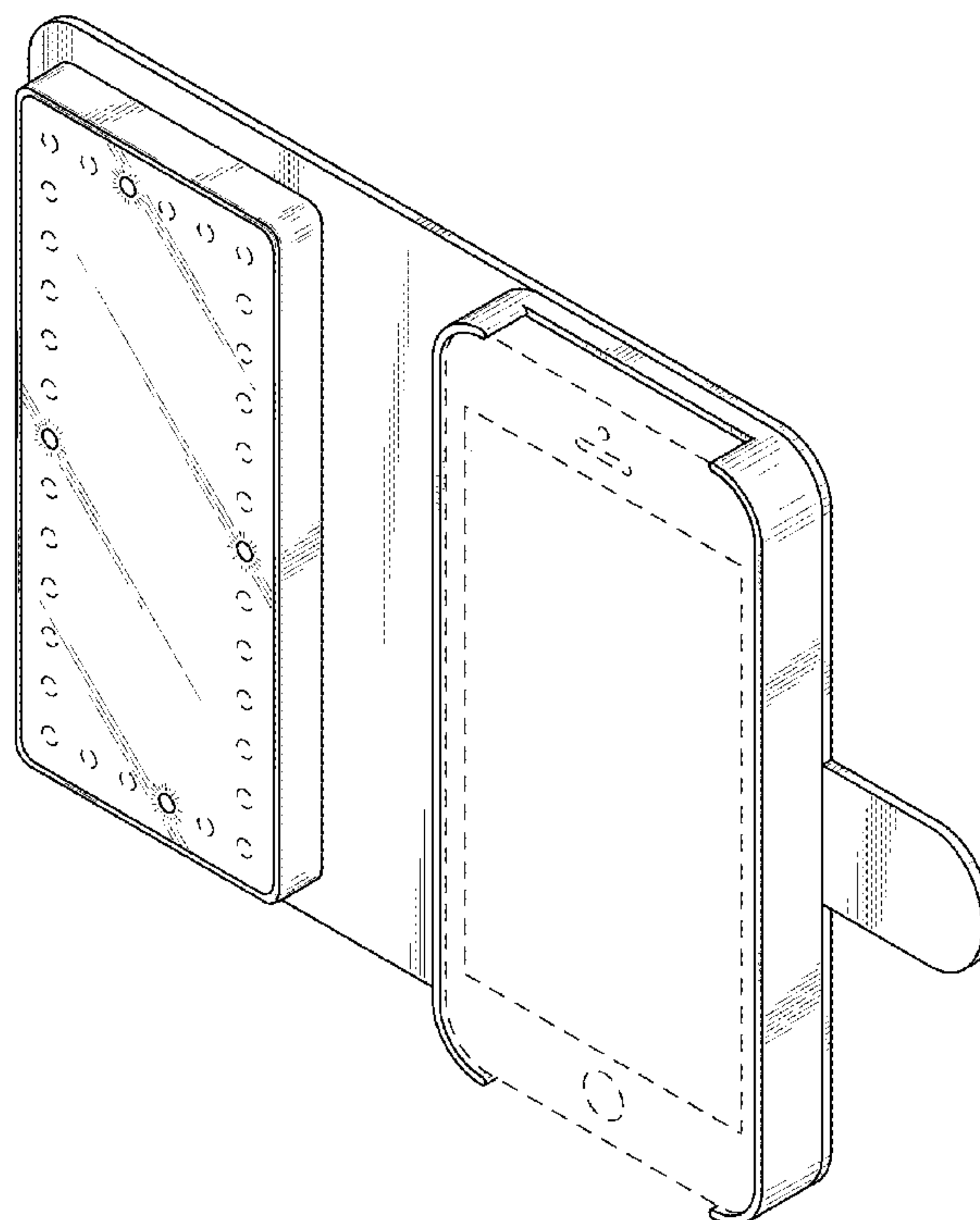
FIG. 1 is a perspective view of a lighted mirror cell phone case according to the present invention, shown with an unclaimed environmental cell phone;
FIG. 2 is a second perspective view of the lighted mirror cell phone case without the unclaimed environmental cell phone;
FIG. 3 is a front view thereof;
FIG. 4 is a bottom view thereof;
FIG. 5 is a right side view thereof;
FIG. 6 is a top view thereof;
FIG. 7 is a rear view thereof; and,
FIG. 8 is a left side view thereof.
The broken line showing a cell phone, in FIG. 1, represents unclaimed environmental subject matter.

(56) **References Cited**

U.S. PATENT DOCUMENTS

D622,958 S * 9/2010 Moore D3/247
D681,620 S * 5/2013 Huskinson D14/250

1 Claim, 4 Drawing Sheets



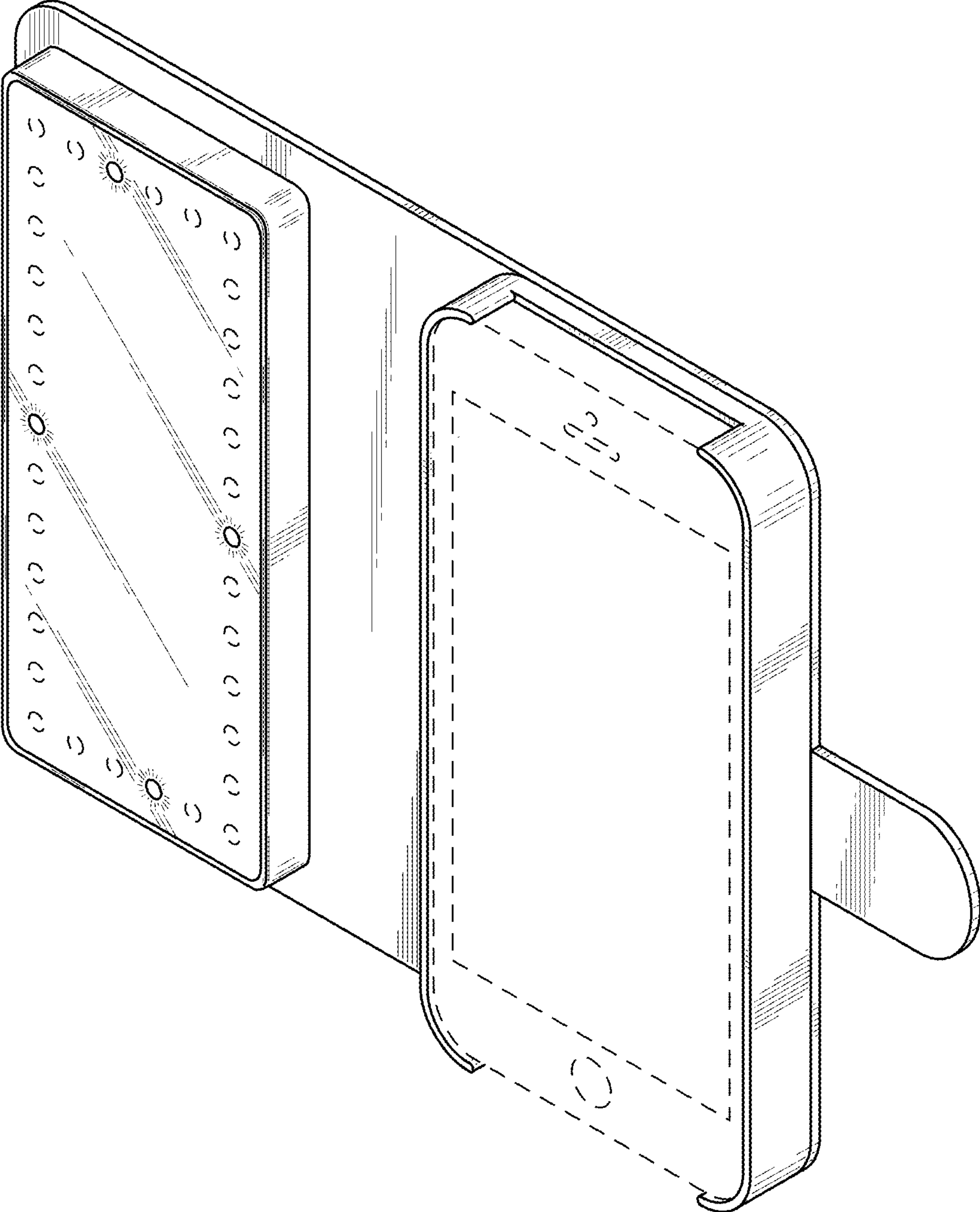


FIG. 1

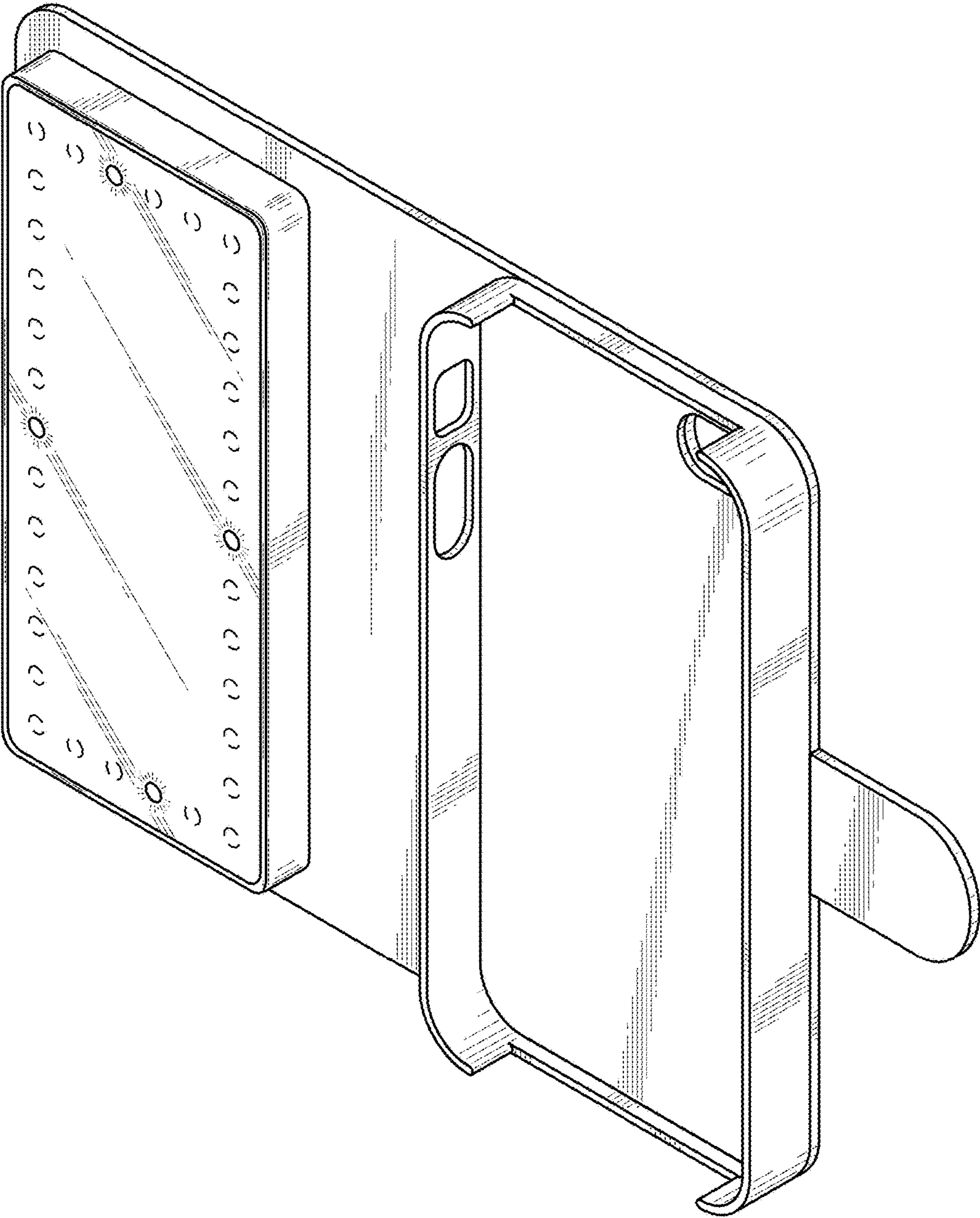


FIG. 2

FIG. 5



FIG. 3

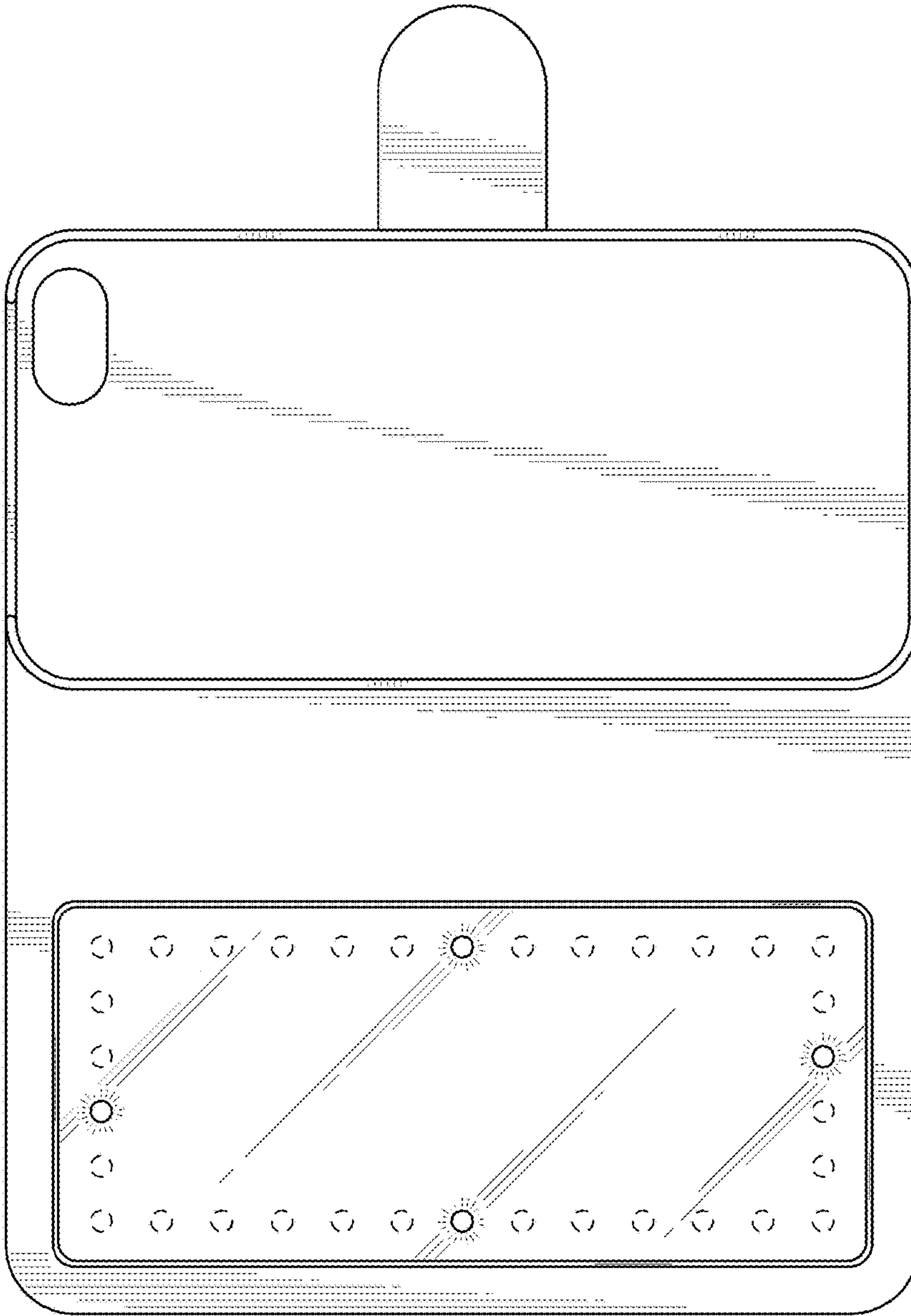
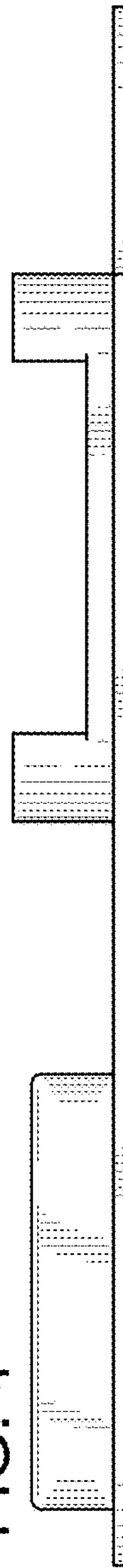


FIG. 4



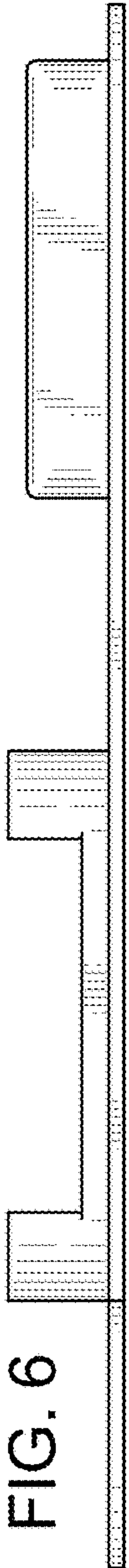


FIG. 6

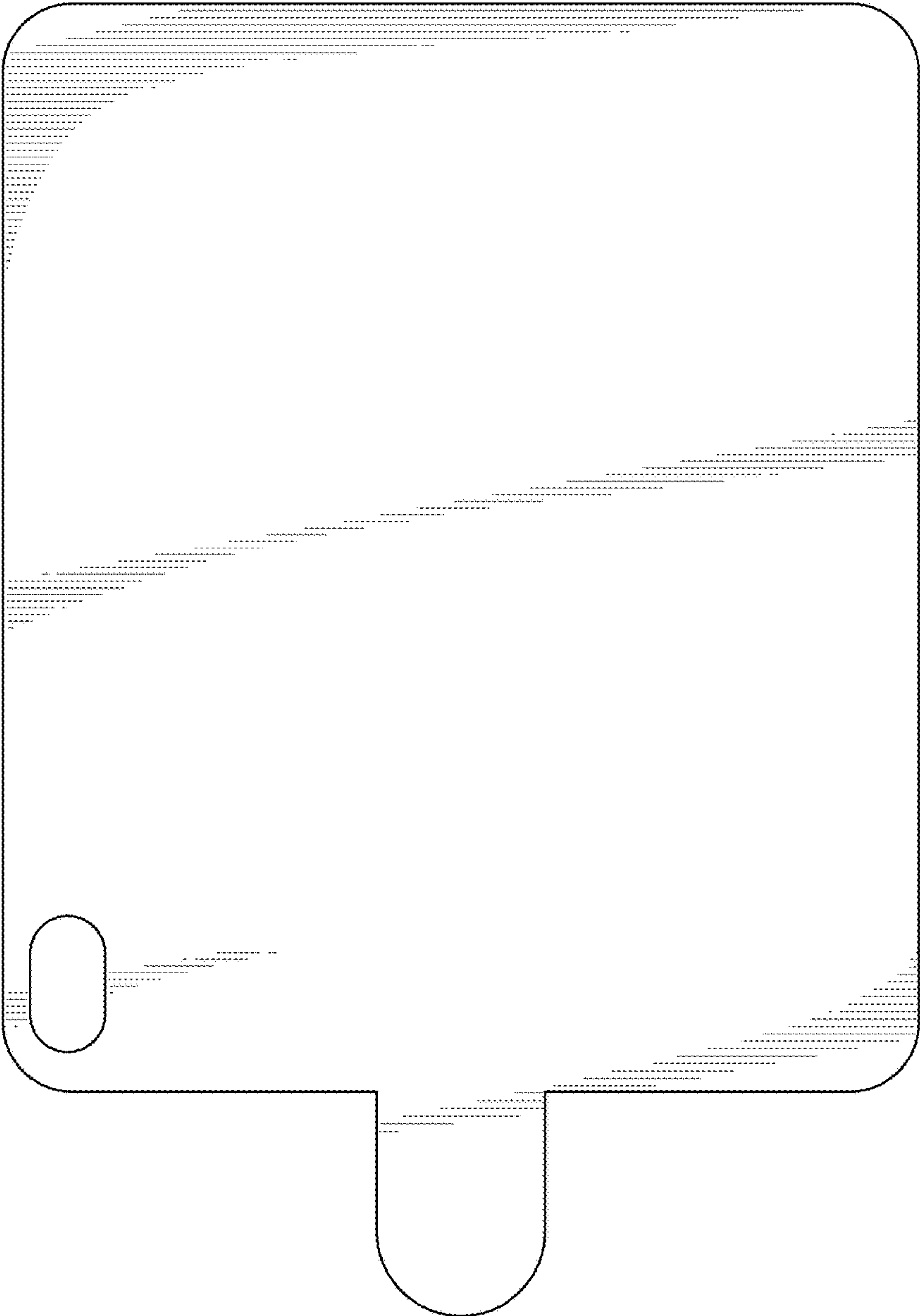


FIG. 7

FIG. 8

