



US00D837193S

(12) **United States Design Patent** (10) **Patent No.:** **US D837,193 S**
Ettenson et al. (45) **Date of Patent:** **** Jan. 1, 2019**

(54) **PROTECTIVE CASING WITH INTEGRAL BUMPER FOR AN ELECTRONIC COMMUNICATIONS DEVICE**

6,646,864 B2 11/2003 Richardson
6,659,274 B2 12/2003 Enners
6,995,976 B2 2/2006 Richardson
7,158,376 B2 1/2007 Richardson et al.

(Continued)

(71) Applicant: **Wimo Labs, LLC**, Irvine, CA (US)

(72) Inventors: **Greg Ettenson**, San Francisco, CA (US); **Dave Joseph**, Irvine, CA (US); **Scott H. Wilson**, Chicago, IL (US)

FOREIGN PATENT DOCUMENTS

EP 0527712 2/1993
KR 200421862 7/2006

(73) Assignee: **Scott Wilson Design, Ltd.**, Chicago, IL (US)

OTHER PUBLICATIONS

(**) Term: **15 Years**

International Search Report for International Patent Application No. PCT/US2013/045088, dated Sep. 24, 2013.

(21) Appl. No.: **29/577,756**

Primary Examiner — Susan E Krakower

(22) Filed: **Sep. 15, 2016**

Assistant Examiner — L. A. Grabenstetter

(51) **LOC (11) Cl.** **14-03**

(74) *Attorney, Agent, or Firm* — Neal, Gerber & Eisenberg LLP

(52) **U.S. Cl.**

USPC **D14/250**

(58) **Field of Classification Search**

USPC D3/201, 218, 247, 269, 273, 301, 303;
D13/103, 107, 108, 119;
D14/203.3–203.7, 217, 238.1, 247, 248,
D14/250, 251–253, 269, 273, 301, 303,
D14/440

(57) **CLAIM**

The ornamental design for a protective casing with integral bumper for an electronic communications device, as shown and described.

CPC H04B 1/3888; H04M 1/0283; H04M 1/0202; A45C 1/06; A45C 2011/002; A45C 23/02; A45C 11/00; A45F 2005/028; A45F 2200/0525; A45F 2200/0516

DESCRIPTION

FIG. 1 is a left side view of the protective casing with integral bumper for an electronic communications device; FIG. 2 is a top view of the protective casing with integral bumper for an electronic communications device; FIG. 3 is a bottom view of the protective casing with integral bumper for an electronic communications device; FIG. 4 is a back view of the protective casing with integral bumper for an electronic communications device; and, FIG. 5 is a front perspective view of the protective casing with integral bumper for an electronic communications device.

See application file for complete search history.

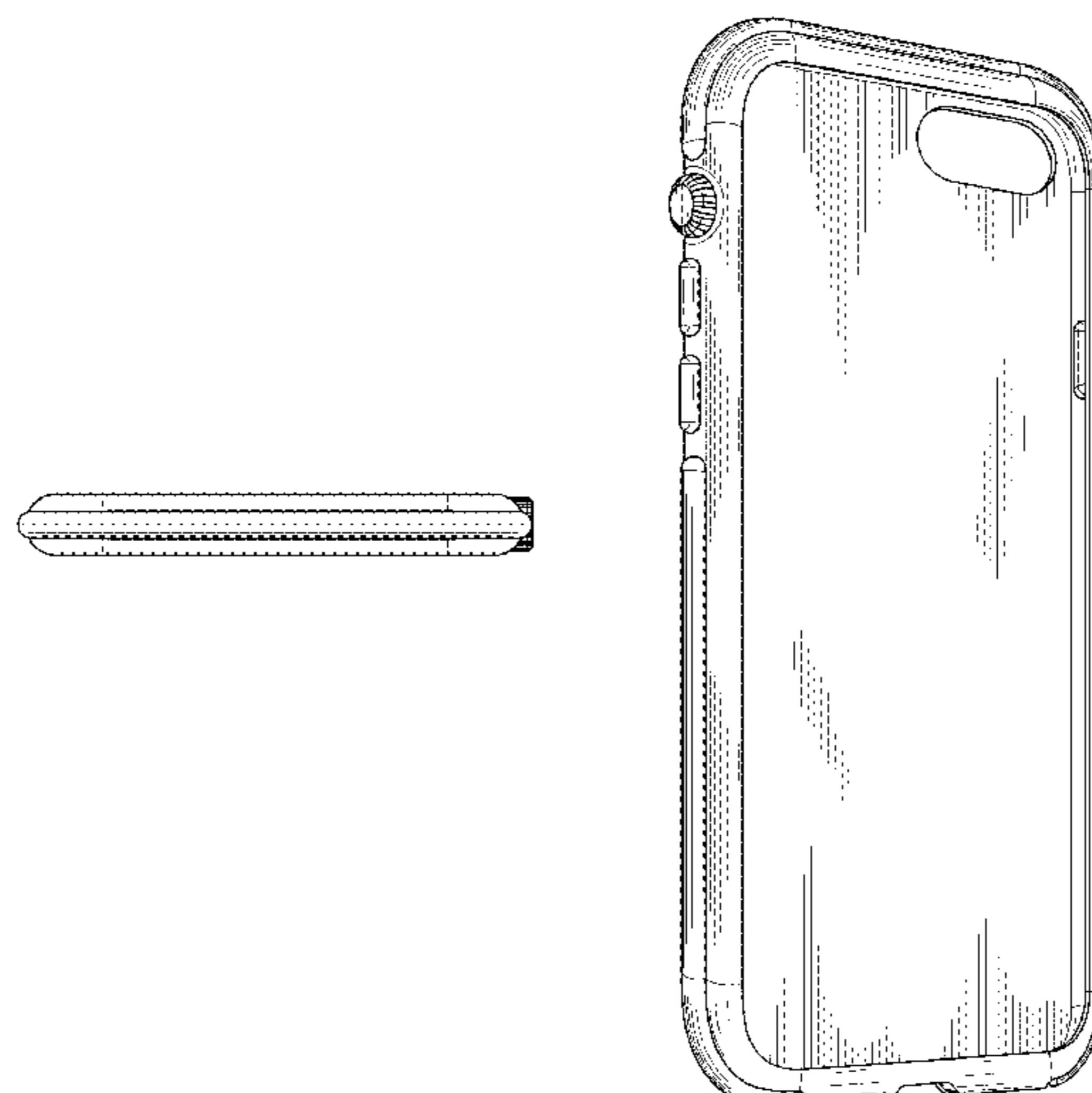
The broken lines represent a boundary of the claimed design. The surface area inside the boundary forms no part of the claimed design.

(56) **References Cited**

U.S. PATENT DOCUMENTS

D144,114 S 3/1946 Kaphan
6,068,119 A 5/2000 Derr et al.
6,094,785 A 8/2000 Montgomery et al.
6,317,313 B1 11/2001 Mosgrove et al.
6,415,138 B2 7/2002 Sirola et al.
6,525,928 B1 2/2003 Madsen et al.
6,536,589 B2 3/2003 Chang

1 Claim, 3 Drawing Sheets



(56)

References Cited

U.S. PATENT DOCUMENTS

7,180,735 B2 2/2007 Thomas et al.
 7,230,823 B2 6/2007 Richardson et al.
 7,312,984 B2 12/2007 Richardson et al.
 7,337,565 B2 3/2008 Tsutsumi et al.
 D580,900 S 11/2008 Wong et al.
 7,449,650 B2 11/2008 Richardson et al.
 D589,486 S 3/2009 He
 D589,505 S 3/2009 He
 D600,908 S 9/2009 Richardson et al.
 7,609,512 B2 10/2009 Richardson et al.
 7,612,997 B1 11/2009 Diebel et al.
 7,663,879 B2 2/2010 Richardson et al.
 D612,827 S 3/2010 Song et al.
 7,688,580 B2 3/2010 Richardson et al.
 D613,718 S 4/2010 Lee et al.
 D615,536 S 5/2010 Richardson et al.
 D616,360 S 5/2010 Huang
 D616,361 S 5/2010 Huang
 D617,784 S 6/2010 Richardson et al.
 D617,785 S 6/2010 Richardson et al.
 D622,250 S 8/2010 Kwon et al.
 7,782,610 B2 8/2010 Diebel et al.
 D624,046 S 9/2010 Lee et al.
 D626,528 S 11/2010 Park et al.
 7,889,489 B2 2/2011 Richardson et al.
 7,889,498 B2 2/2011 Diebel et al.
 D634,741 S 3/2011 Richardson et al.
 7,907,394 B2 3/2011 Richardson et al.
 D636,386 S 4/2011 Richardson et al.
 7,933,122 B2 4/2011 Richardson et al.
 D637,992 S 5/2011 Tom et al.
 7,957,524 B2 6/2011 Chipping
 D653,202 S 1/2012 Hasbrook et al.
 D655,281 S * 3/2012 Turocy D14/250
 D659,094 S 5/2012 Brand et al.
 8,204,561 B2 6/2012 Mongan et al.
 D669,458 S 10/2012 Wilson et al.
 D669,892 S 10/2012 Hofer et al.
 8,286,789 B2 10/2012 Wilson et al.
 8,312,991 B2 11/2012 Diebel et al.
 D671,745 S 12/2012 Wyner
 D671,932 S 12/2012 Azoulay
 8,328,008 B2 12/2012 Diebel et al.
 D674,789 S * 1/2013 Wen A45C 11/00
 D14/250
 D675,161 S 1/2013 Rayner
 D675,204 S 1/2013 Hofer
 D675,205 S 1/2013 Hofer
 8,342,325 B2 1/2013 Rayner

D675,604 S 2/2013 Limber
 8,367,235 B2 2/2013 Huang
 D677,231 S 3/2013 Behling
 D678,262 S * 3/2013 Prato D14/250
 8,393,466 B2 3/2013 Rayner
 8,395,894 B2 3/2013 Richardson et al.
 D679,695 S * 4/2013 Fahrendorff D14/250
 D683,136 S 5/2013 Wilson et al.
 D683,338 S 5/2013 Wilson et al.
 8,442,604 B1 5/2013 Diebel
 8,457,701 B2 6/2013 Diebel
 D685,327 S 7/2013 Rayner
 D685,785 S 7/2013 Seoc et al.
 D687,004 S 7/2013 Behling
 8,483,758 B2 7/2013 Huang
 8,505,718 B2 8/2013 Griffin, Jr. et al.
 8,509,864 B1 8/2013 Diebel
 8,526,180 B2 9/2013 Rayner
 8,531,834 B2 9/2013 Rayner
 D690,688 S * 10/2013 Bau D14/250
 8,548,541 B2 10/2013 Rayner
 8,564,950 B2 10/2013 Rayner
 8,567,599 B2 10/2013 Beatty et al.
 8,570,737 B2 10/2013 Rayner
 D697,060 S 1/2014 Yang
 D698,775 S * 2/2014 Huang D14/250
 D698,776 S * 2/2014 Fathollahi D14/250
 D705,206 S * 5/2014 Gengler D14/250
 D706,255 S * 6/2014 Akana D14/250
 D706,754 S * 6/2014 Goradesky D14/250
 D714,279 S * 9/2014 McCurry D14/250
 D714,769 S * 10/2014 Rayner D14/250
 D718,756 S * 12/2014 Barfoot D14/250
 D718,757 S * 12/2014 Jaffee D14/250
 D718,758 S * 12/2014 Jaffee D14/250
 D754,651 S * 4/2016 Roberts D14/250
 D756,344 S * 5/2016 Roberts D14/250
 D757,704 S * 5/2016 Roberts D14/250
 D762,202 S * 7/2016 Tseng D14/250
 2006/0049070 A1 3/2006 Johanson
 2011/0159324 A1 6/2011 Huang et al.
 2011/0287726 A1 11/2011 Huang
 2011/0297578 A1 12/2011 Stiehl
 2012/0043236 A1 * 2/2012 Szucs A45C 11/00
 206/320
 2013/0043777 A1 2/2013 Rayner
 2013/0092576 A1 4/2013 Rayner
 2013/0181584 A1 7/2013 Whitten et al.
 2013/0271922 A1 10/2013 Wilson et al.
 2013/0273944 A1 10/2013 Wilson et al.

* cited by examiner

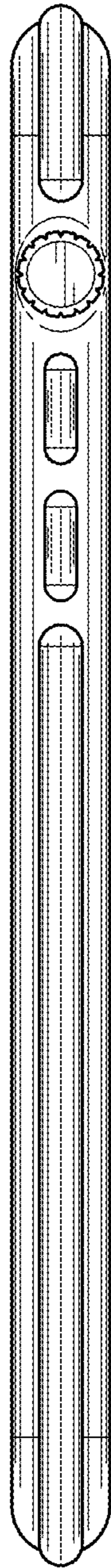


FIG. 1

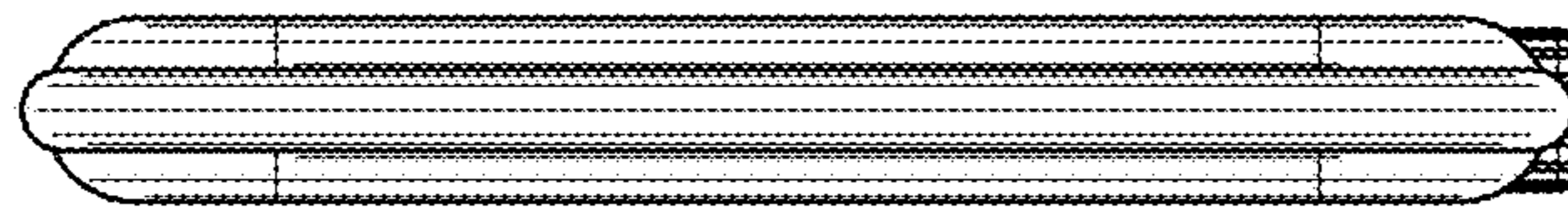


FIG. 2

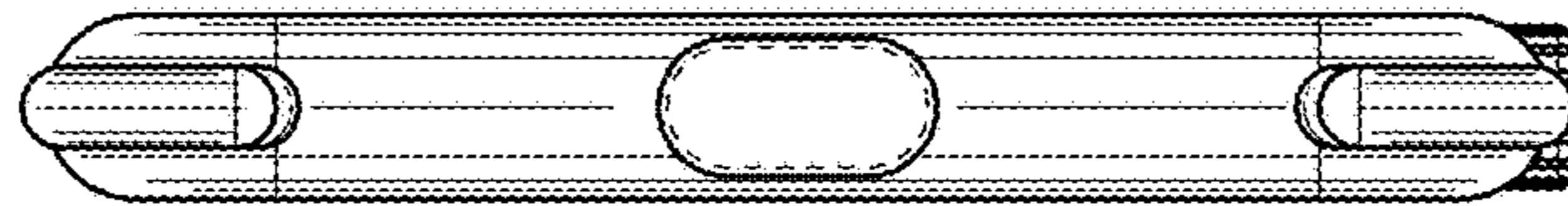


FIG. 3

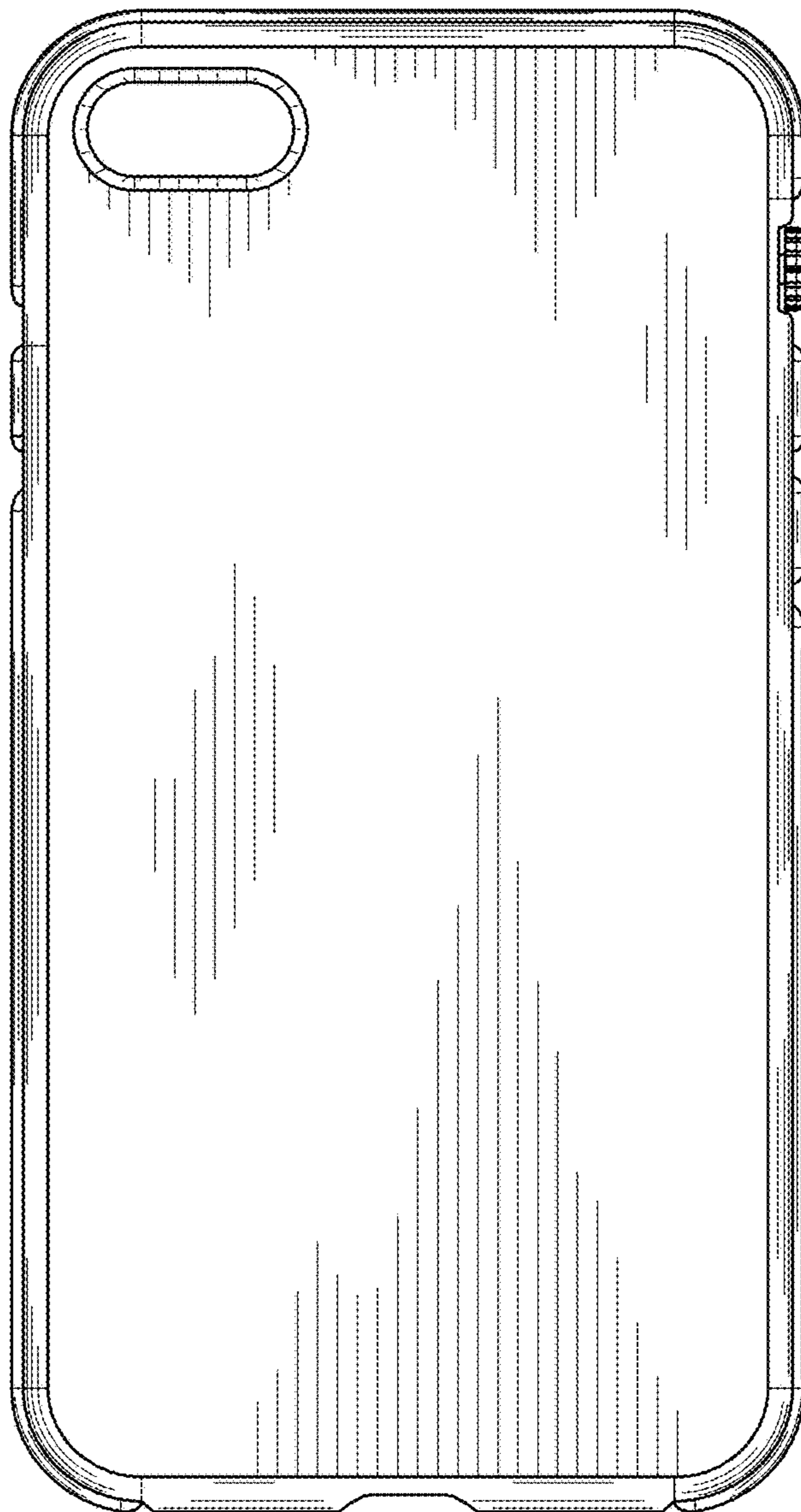


FIG. 4

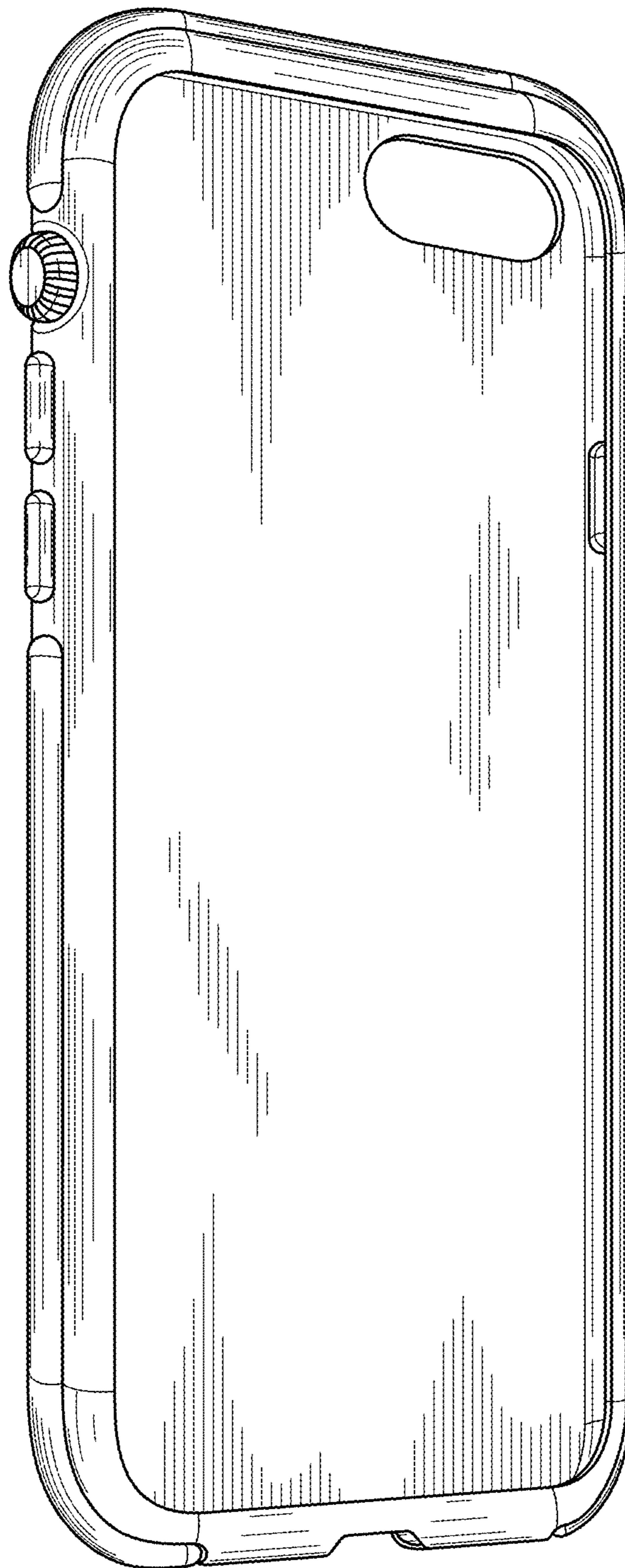


FIG. 5