



US00D837192S

(12) **United States Design Patent** (10) **Patent No.:** **US D837,192 S**  
**Chaney et al.** (45) **Date of Patent:** **\*\* \*Jan. 1, 2019**

(54) **ENCLOSURE FOR AN ELECTRONIC COMMUNICATIONS DEVICE**

(71) Applicant: **Hand Held Products, Inc.**, Fort Mill, SC (US)

(72) Inventors: **David E. Chaney**, Lincolnton, NC (US); **Timothy R. Fitch**, Syracuse, NY (US); **Qiurong Ma**, Shanghai (CN)

(73) Assignee: **Hand Held Products, Inc.**, Fort Mill, SC (US)

(\*) Notice: This patent is subject to a terminal disclaimer.

(\*\*) Term: **15 Years**

(21) Appl. No.: **29/531,629**

(22) Filed: **Jun. 29, 2015**

**Related U.S. Application Data**

(63) Continuation of application No. 29/506,922, filed on Oct. 22, 2014, now Pat. No. Des. 733,112, which is a (Continued)

(51) **LOC (11) Cl.** ..... **14-03**

(52) **U.S. Cl.**  
USPC ..... **D14/250**

(58) **Field of Classification Search**  
USPC ..... D14/248, 439, 203.3–203.7, 217, 240, D14/447, 251–253, 238.1, 440, 250; D3/201, 218, 247, 269, 273, 301, 303; D13/103, 107–108, 119  
CPC ..... H04B 1/3888; H04M 1/0283; H04M 1/0202; A45C 1/06; A45C 2011/002; A45C 11/00; A45C 13/02; A45F 2005/026; A45F 2200/0525; A45F 2200/0516

See application file for complete search history.

(56) **References Cited**

U.S. PATENT DOCUMENTS

D280,674 S 9/1985 Nelson  
D325,471 S 4/1992 McCain et al.

(Continued)

OTHER PUBLICATIONS

Honeywell Captuvo SL42 iPhone\* Enterprise Class Sled with MSR and Barcode Scanner, Compatible with iPhone 5, iPhone 5s, iPhone 5c, URL:<https://cdn2.bigcommerce.com/n-big04i/iqbn45qr/products/1534/images/2750/cap2\_21005.1417736607.1280.1280.jpg?c=2>, retrieved from internet on Sep. 18, 2017.\*

(Continued)

*Primary Examiner* — Carla J Wright

(74) *Attorney, Agent, or Firm* — Additon, Higgins & Pendleton, P.A.

(57) **CLAIM**

The ornamental design for an enclosure for an electronic communications device, as shown and described.

**DESCRIPTION**

FIG. 1 is a front, top, and right-side perspective view of an enclosure for an electronic communications device showing our new design;

FIG. 2 is a front elevation view thereof;

FIG. 3 is a rear elevation view thereof;

FIG. 4 is a left side elevation view thereof;

FIG. 5 is a right side elevation view thereof;

FIG. 6 is a top plan view thereof;

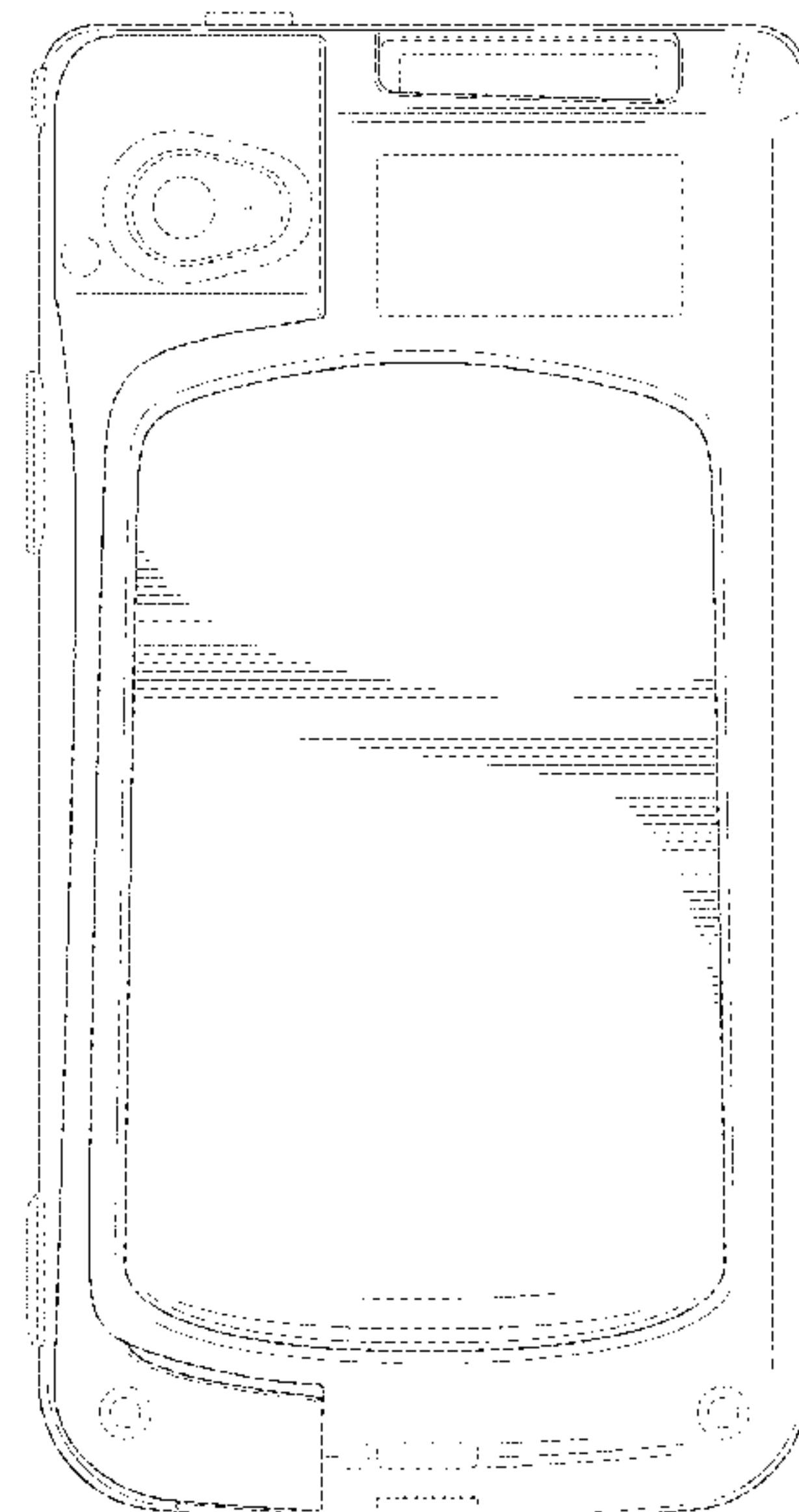
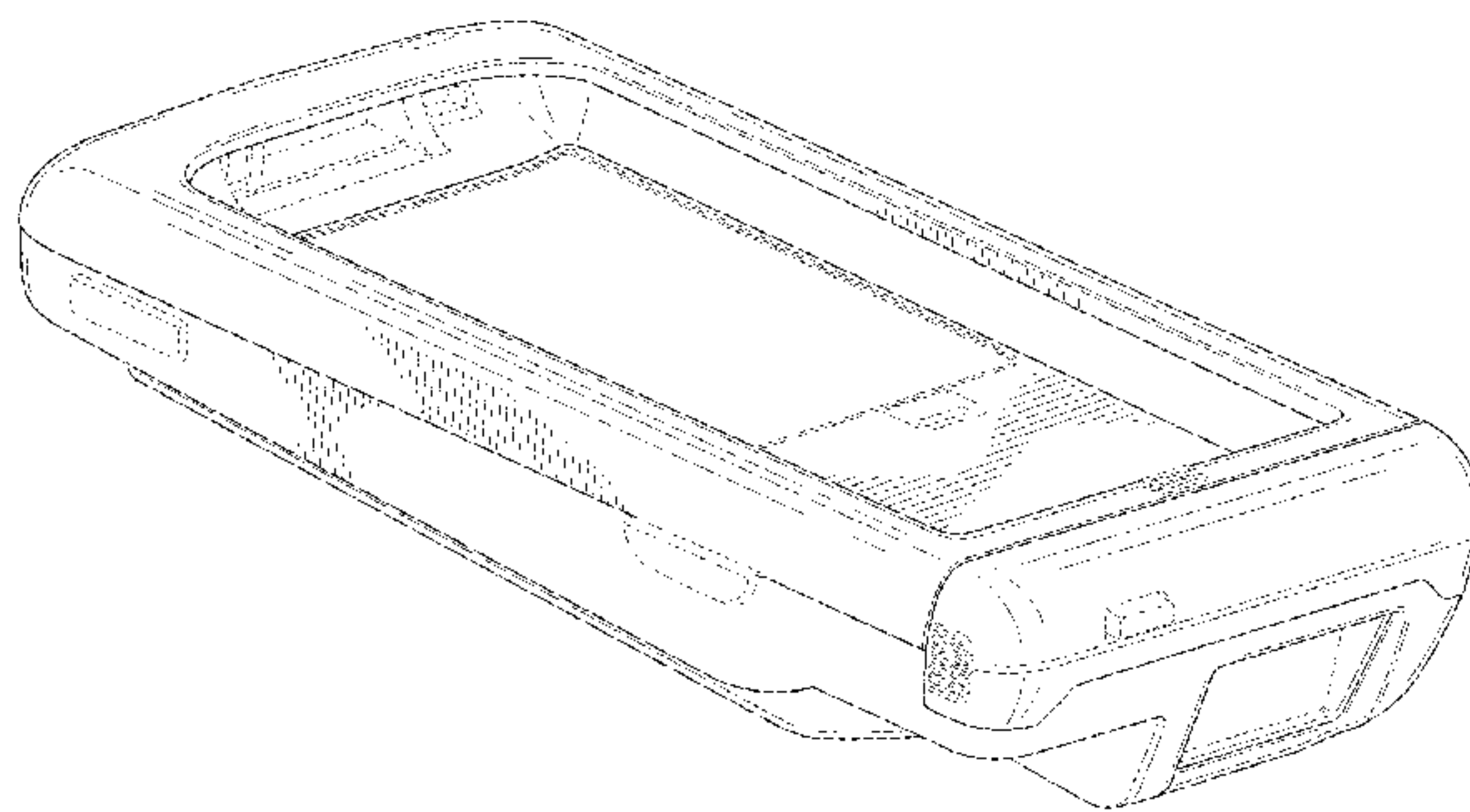
FIG. 7 is a bottom plan view thereof;

FIG. 8 is a top, right-side, and rear perspective view thereof; and,

FIG. 9 is a front, top, and right-side perspective view thereof, with the door thereof in an open position.

The broken lines depict portions of the enclosure for an electronic communications device that form no part of the claimed design.

**1 Claim, 9 Drawing Sheets**



**Related U.S. Application Data**

continuation of application No. 29/459,681, filed on Jul. 2, 2013, now Pat. No. Des. 716,285, which is a continuation of application No. 13/736,139, filed on Jan. 8, 2013, now Pat. No. 9,107,484.

(56)

**References Cited**

U.S. PATENT DOCUMENTS

D337,435 S 7/1993 Kaneko et al.  
 5,554,822 A 9/1996 Gilpin et al.  
 5,574,625 A 11/1996 Ohgami et al.  
 5,586,002 A 12/1996 Notarianni  
 5,625,534 A 4/1997 Okaya et al.  
 6,000,607 A 12/1999 Ohki et al.  
 6,304,459 B1 10/2001 Toyosato et al.  
 6,637,661 B2 10/2003 Cohen et al.  
 6,679,425 B1 1/2004 Sheppard et al.  
 6,944,782 B2 9/2005 Von Mueller et al.  
 7,123,487 B2 10/2006 Saito et al.  
 D588,088 S 3/2009 Mitchell  
 D588,146 S 3/2009 Tsuboi  
 D593,319 S 6/2009 Richardson et al.  
 D603,602 S 11/2009 Richardson et al.  
 D608,781 S 1/2010 Wada  
 7,688,580 B2 3/2010 Richardson et al.  
 D624,114 S \* 9/2010 Ausems ..... G06Q 20/0453  
 D18/4.6  
 D624,115 S \* 9/2010 Ausems ..... G06Q 20/0453  
 D18/4.6  
 D638,012 S 5/2011 Tian et al.  
 D659,138 S 5/2012 Hsu et al.  
 D659,564 S 5/2012 Baxter  
 D665,735 S 8/2012 Kang et al.  
 D667,823 S \* 9/2012 Merenda ..... D14/250  
 D670,278 S 11/2012 Hamann  
 D672,386 S 12/2012 Matunuma et al.  
 D678,936 S 3/2013 Oliver  
 D696,234 S 12/2013 Wright  
 8,632,004 B2 1/2014 Nishiie  
 8,662,905 B2 3/2014 Chang

D710,343 S \* 8/2014 Chandler, Jr. .... D14/250  
 D712,890 S \* 9/2014 McCormac ..... D14/250  
 8,827,725 B2 9/2014 Chang  
 D716,285 S 10/2014 Chaney et al.  
 D719,166 S \* 12/2014 Brown ..... D14/250  
 D719,950 S \* 12/2014 Smith ..... D14/250  
 D728,551 S \* 5/2015 Saeki ..... D14/250  
 D733,112 S 6/2015 Chaney et al.  
 9,107,484 B2 8/2015 Chaney et al.  
 D748,085 S \* 1/2016 Merenda ..... D14/250  
 D754,114 S \* 4/2016 Curtis ..... D14/250  
 D754,650 S \* 4/2016 Curtis ..... D14/250  
 D768,617 S \* 10/2016 Merenda ..... D14/250  
 D772,208 S \* 11/2016 Merenda ..... D14/250  
 D781,833 S \* 3/2017 Daniels ..... D14/250  
 D784,976 S \* 4/2017 Cebe ..... D14/250  
 9,721,125 B2 \* 8/2017 Chaney ..... G06K 7/087  
 2001/0003071 A1 6/2001 Mansutti et al.  
 2007/0146985 A1 6/2007 Mick et al.  
 2008/0132289 A1 6/2008 Wood et al.  
 2009/0009945 A1 1/2009 Johnson et al.  
 2013/0237290 A1 \* 9/2013 Simmons, Jr. .... H04B 1/3888  
 455/569.1  
 2013/0264234 A1 10/2013 Cohen  
 2014/0191644 A1 \* 7/2014 Chaney ..... A45C 11/00  
 312/327  
 2017/0187411 A1 \* 6/2017 Coulter ..... H04B 1/3888  
 2017/0215293 A1 \* 7/2017 Merenda ..... H05K 5/0217

OTHER PUBLICATIONS

Honeywell Captuvo SL42 iPhone\* Enterprise Class Sled with MSR and Barcode Scanner, Compatible with iPhone 5, iPhone 5s, iPhone 5c, URL:<<https://poscatch.com/honeywell-captuvo-sl42-iphone-5-enterprise-class-sled-msr-card-reader-scanner>>, retrieved from internet on Sep. 18, 2017.\*  
 EP Patent CDR0022705: Honeywell International, Inc.: Filed Jul. 8, 2013; Issued Aug. 22, 2013; 9 pages.  
 Related U.S. Appl. No. 14/826,835, filed Aug. 14, 2015, 42 pages; Not yet published.

\* cited by examiner



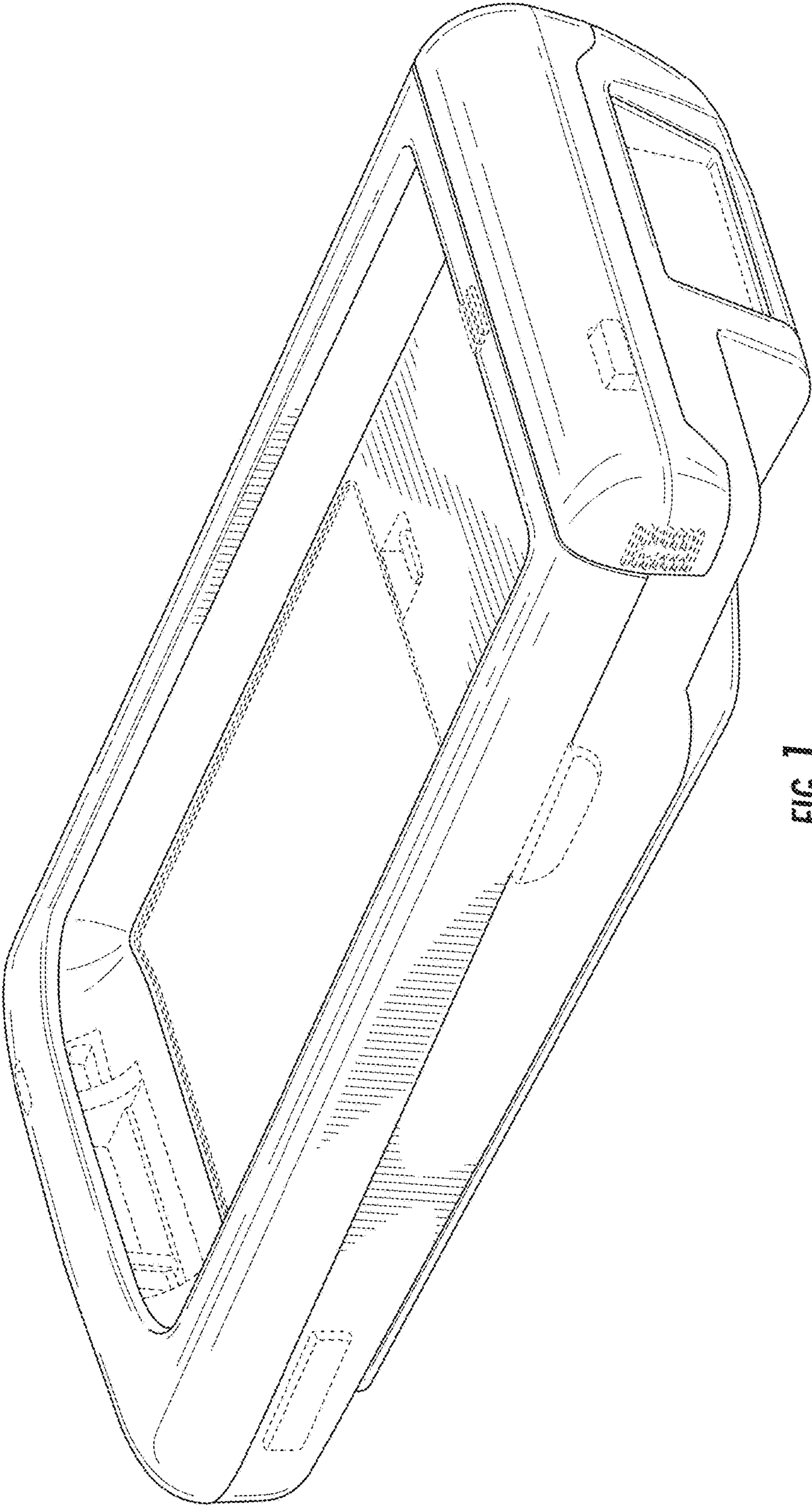


FIG. 1

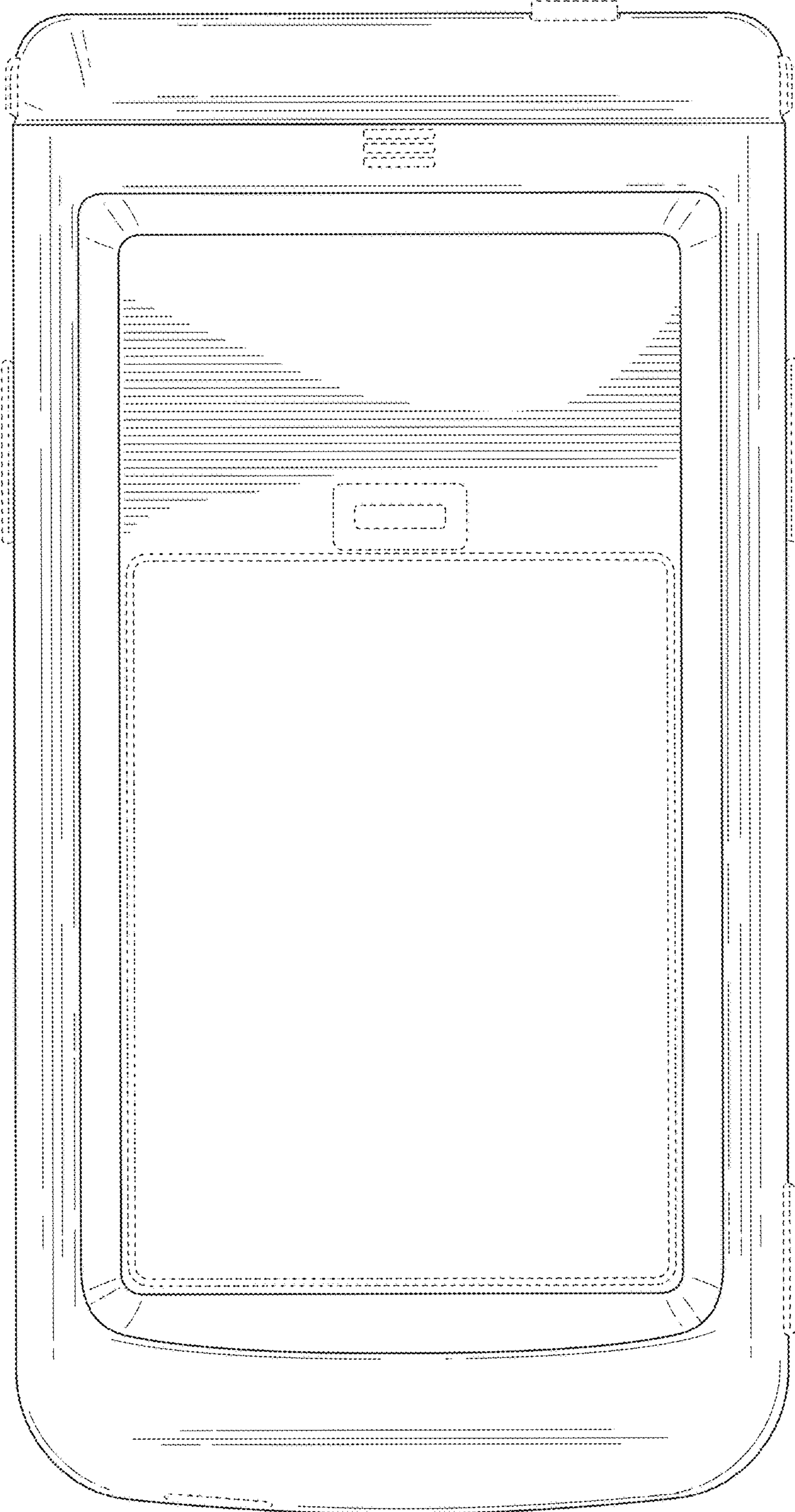


FIG. 2

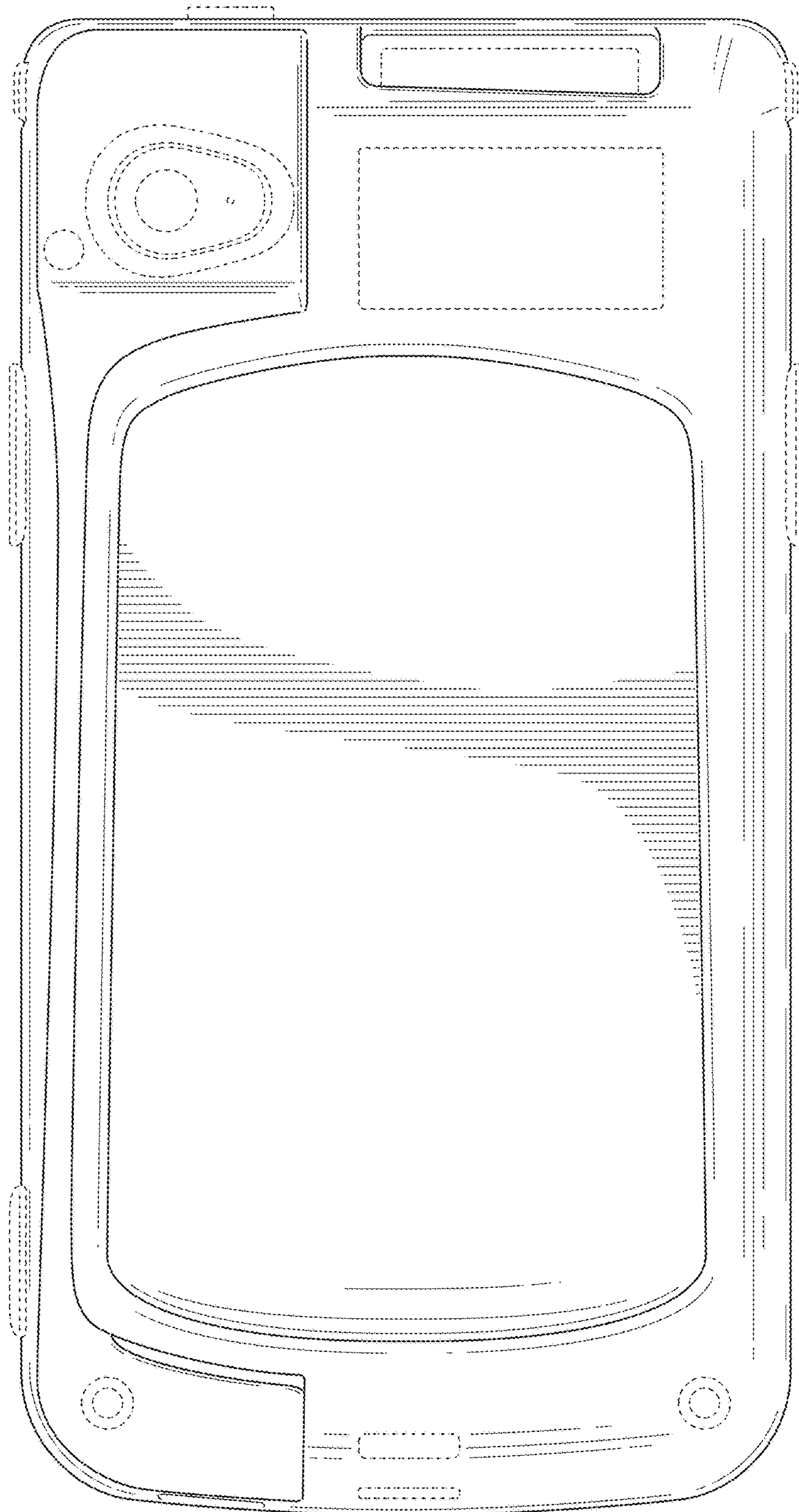


FIG. 3

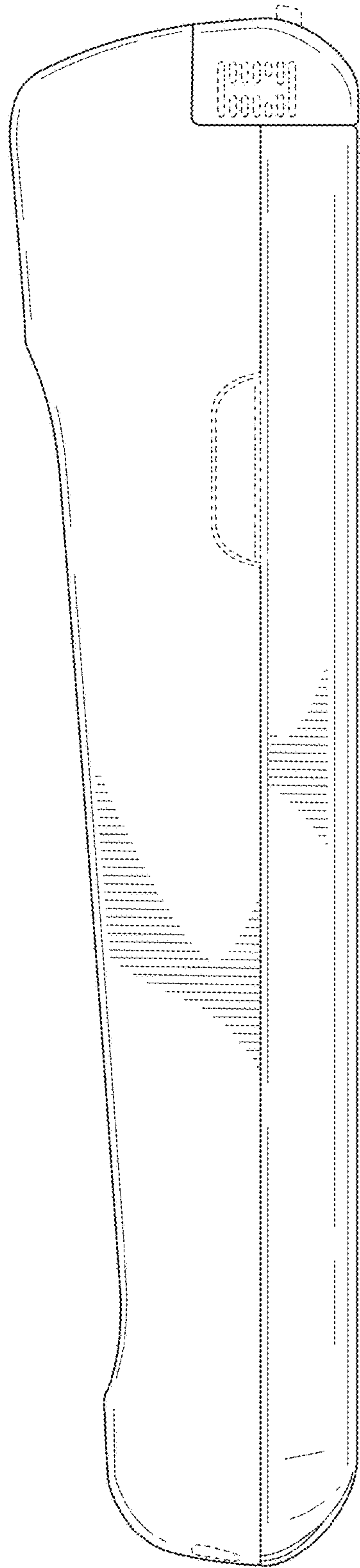


FIG. 4



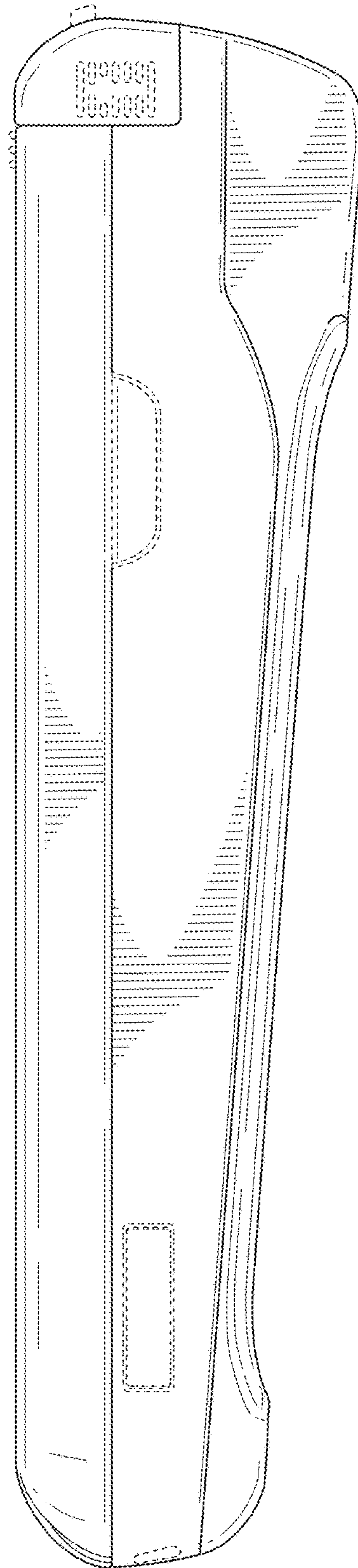
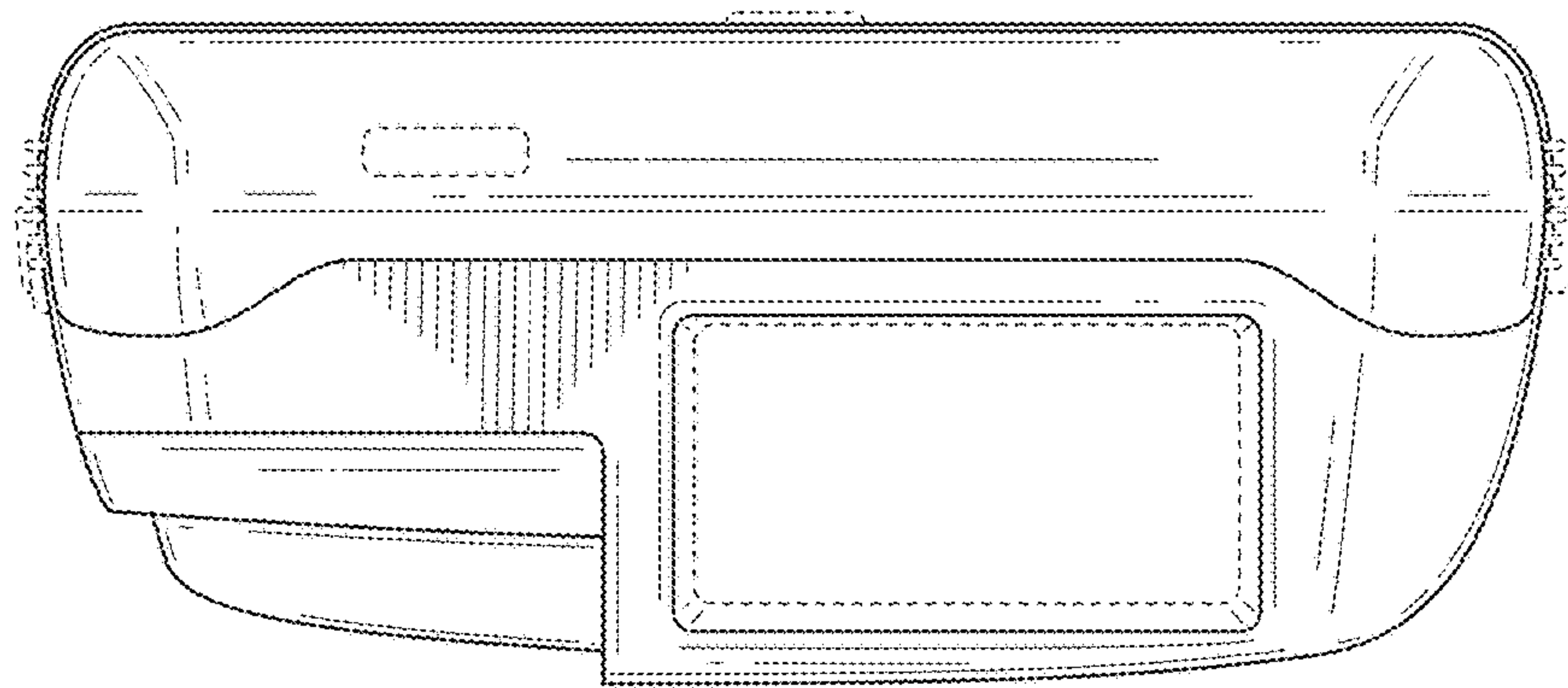
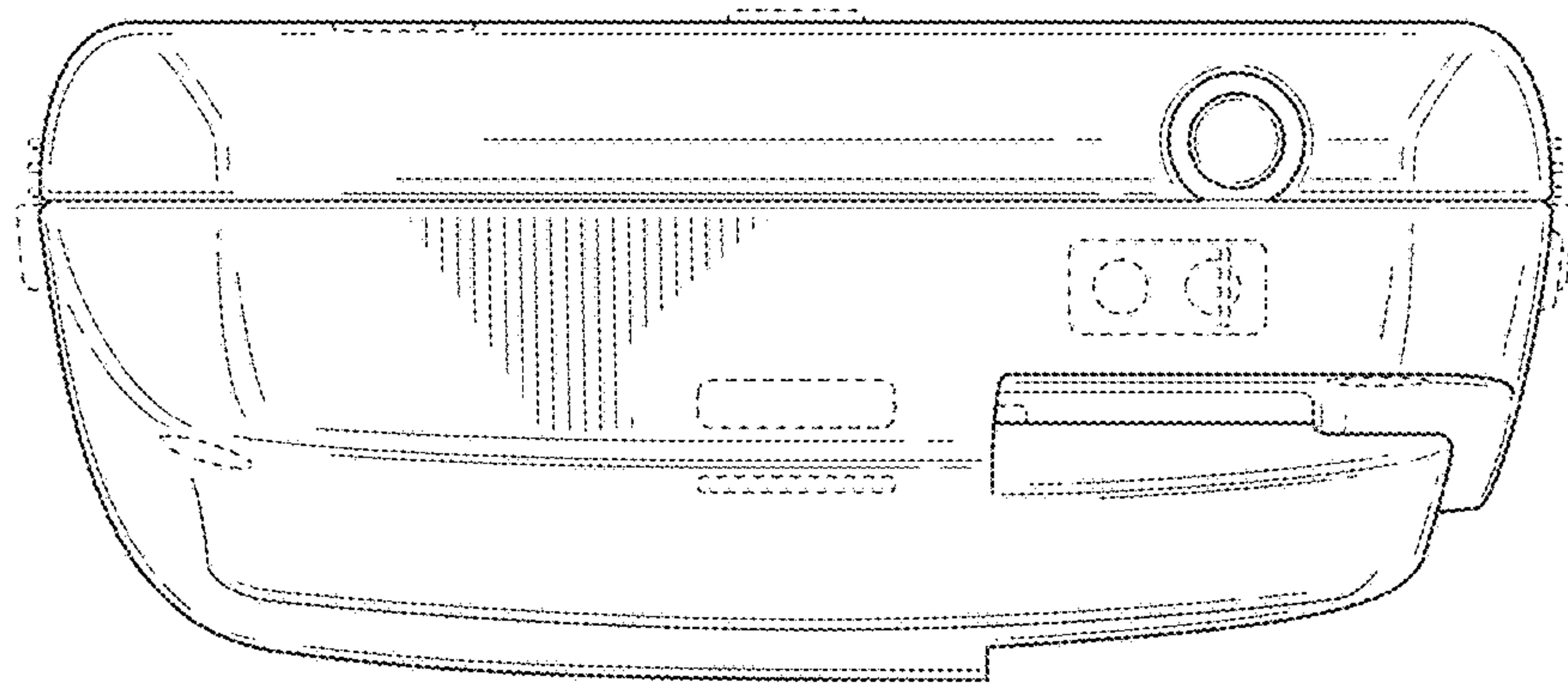


FIG. 5



**FIG. 6**





**FIG. 7**

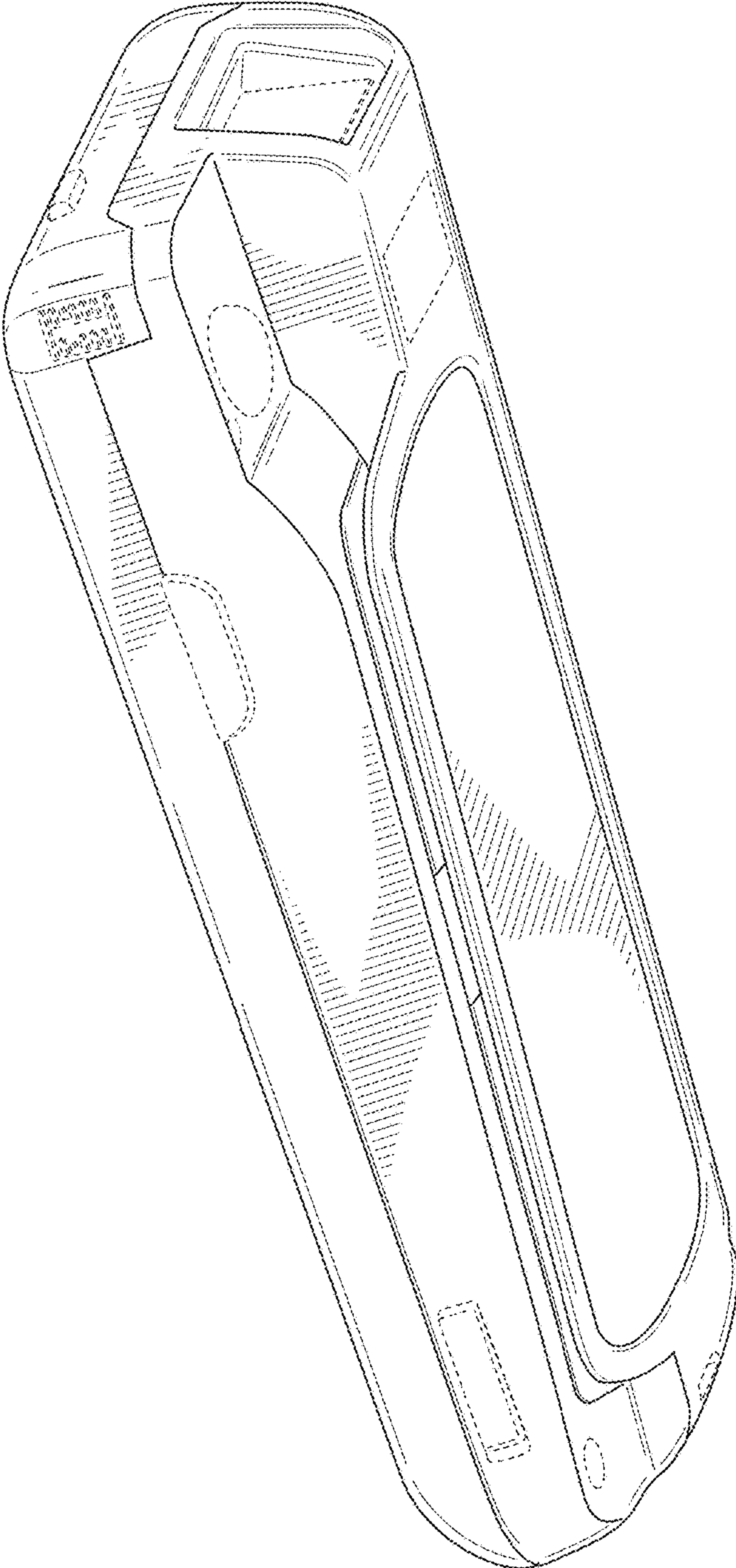


FIG. 8

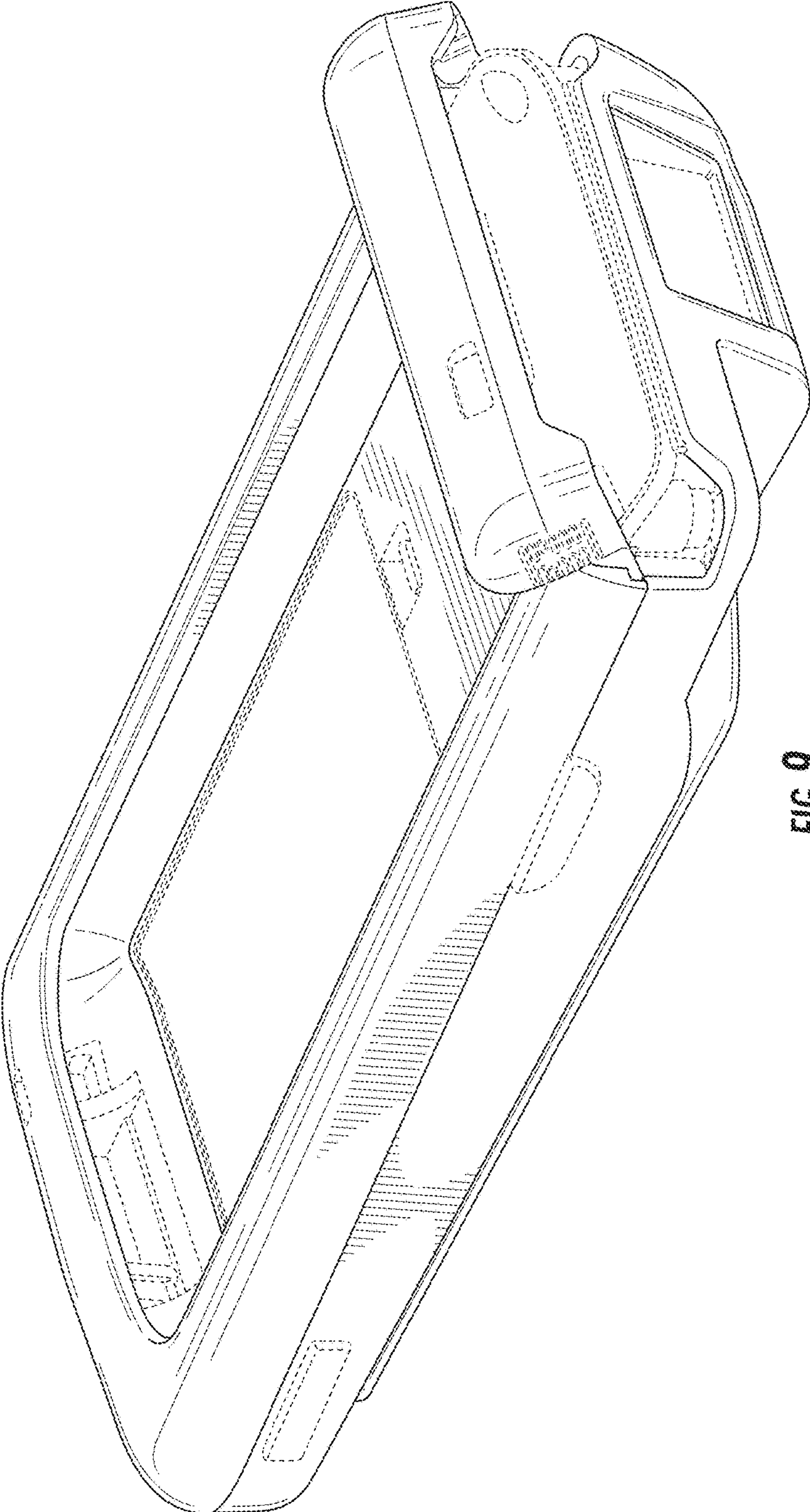


FIG. 9