



US00D837183S

(12) **United States Design Patent**  
**Henricksen**

(10) **Patent No.:** **US D837,183 S**

(45) **Date of Patent:** **\*\* Jan. 1, 2019**

(54) **LOUDSPEAKER**

(71) Applicant: **Ocean Way Audio, Inc.**, Burbank, CA  
(US)

(72) Inventor: **Cliff Henricksen**, Framingham, MA  
(US)

(73) Assignee: **Ocean Way Audio, Inc.**, Burbank, CA  
(US)

(\*\*) Term: **15 Years**

(21) Appl. No.: **29/601,813**

(22) Filed: **Apr. 26, 2017**

(51) **LOC (11) Cl.** ..... **14-01**

(52) **U.S. Cl.**  
USPC ..... **D14/204**

(58) **Field of Classification Search**  
USPC .... D14/167, 168, 170–172, 188, 204, 209.1,  
D14/210–216, 219, 221, 222, 224;  
181/144, 148, 153, 157, 198; 369/6–12;  
381/301–303, 306, 332, 334, 336, 345,  
381/361–363, 386–388  
CPC ..... G06F 1/1688; H04R 1/02; H04R 1/025;  
H04R 1/026; H04R 1/323; H04R 1/403;  
H04R 1/2803; H04R 1/2834; H04R 5/02;  
H04R 9/06; H04R 2201/021; H04R  
2400/00; H04R 2400/07; H04R 2499/11

See application file for complete search history.

(56) **References Cited**

U.S. PATENT DOCUMENTS

D414,771 S	*	10/1999	Hoyt .....	D14/214
D442,942 S	*	5/2001	Tsuge .....	D14/214
D461,792 S	*	8/2002	Silverstein .....	D14/214
D462,065 S	*	8/2002	Silverstein .....	D14/214
D484,484 S	*	12/2003	Green .....	D14/204
D568,294 S	*	5/2008	Sawhney .....	D14/214
D654,474 S	*	2/2012	Hawkins .....	D14/214
D676,827 S	*	2/2013	Desrosiers .....	D14/204
D705,191 S	*	5/2014	Boudreau .....	D14/214

\* cited by examiner

*Primary Examiner* — Derrick E Holland

*Assistant Examiner* — Janice Patyk

(74) *Attorney, Agent, or Firm* — Milord A. Keshishian

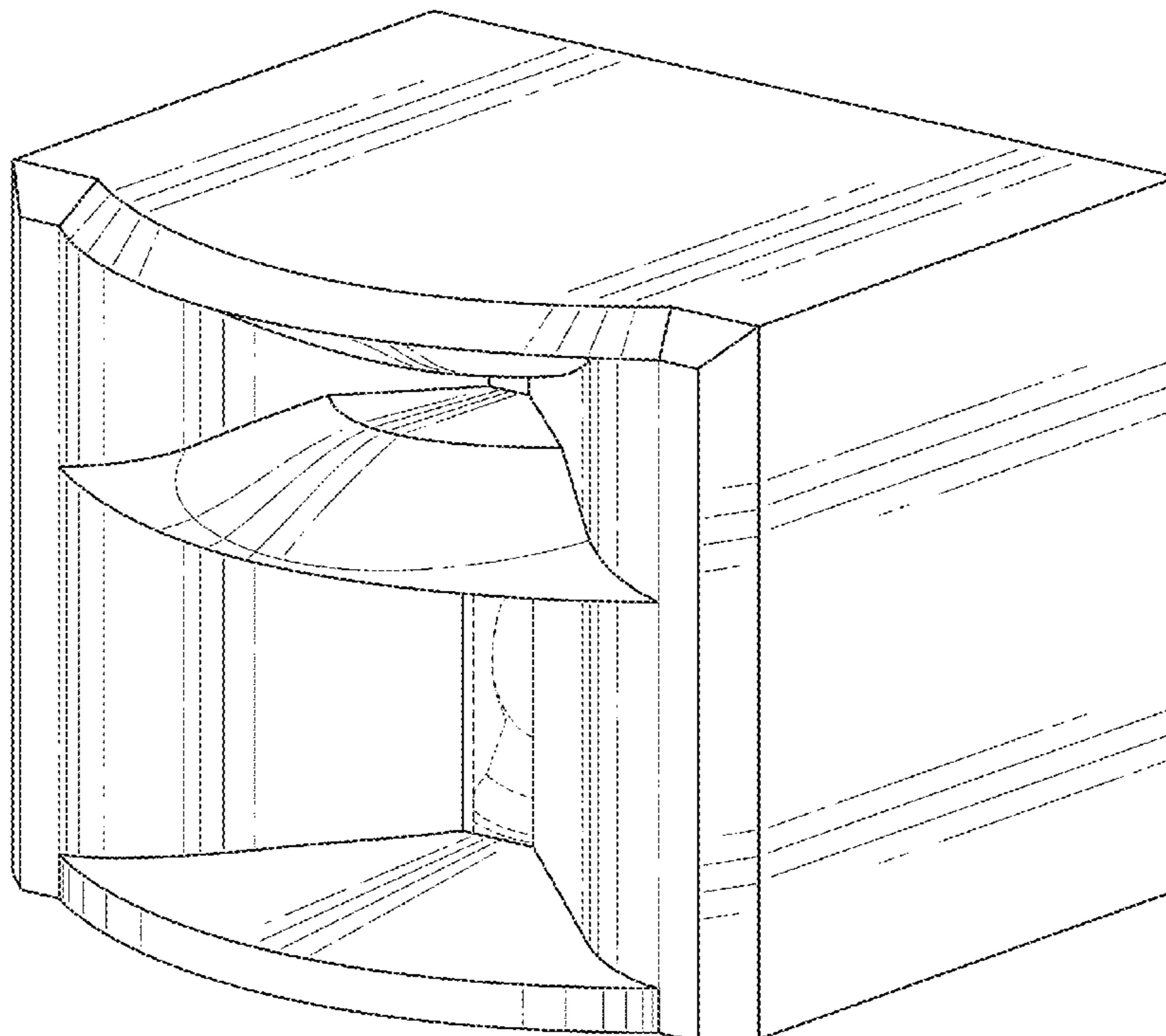
(57) **CLAIM**

The ornamental design for a loudspeaker, as shown and described.

**DESCRIPTION**

FIG. 1 is a top, front, and right side perspective view of a loudspeaker, showing my new design;  
FIG. 2 is a front elevational view thereof;  
FIG. 3 is a rear elevational view thereof;  
FIG. 4 is a left side elevational view thereof;  
FIG. 5 is a right side elevational view thereof;  
FIG. 6 is a top plan view thereof; and,  
FIG. 7 is a bottom plan view thereof.  
The broken lines in the figures illustrate the portions of the design that form no part of the claimed design.

**1 Claim, 7 Drawing Sheets**



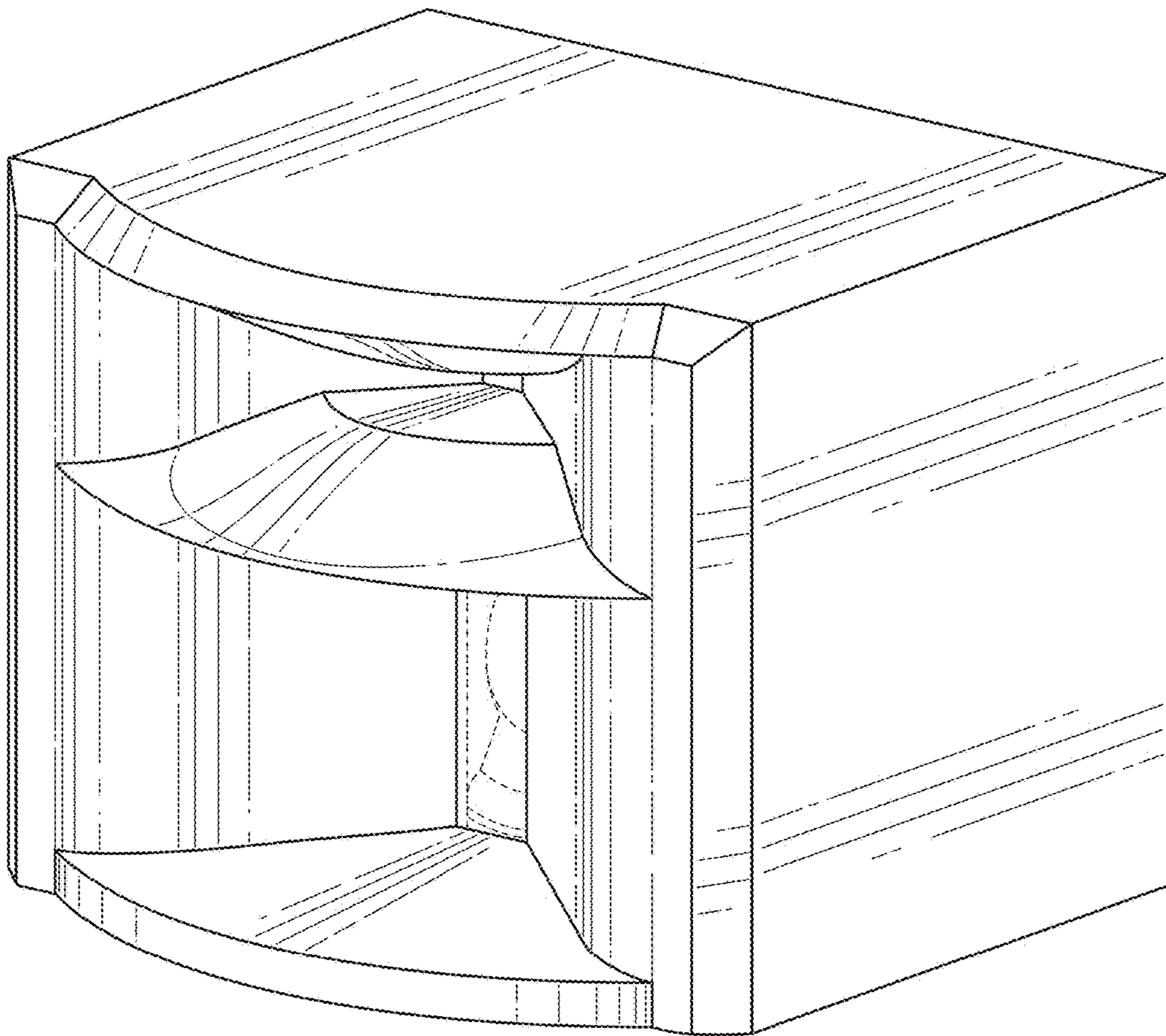


FIG. 1

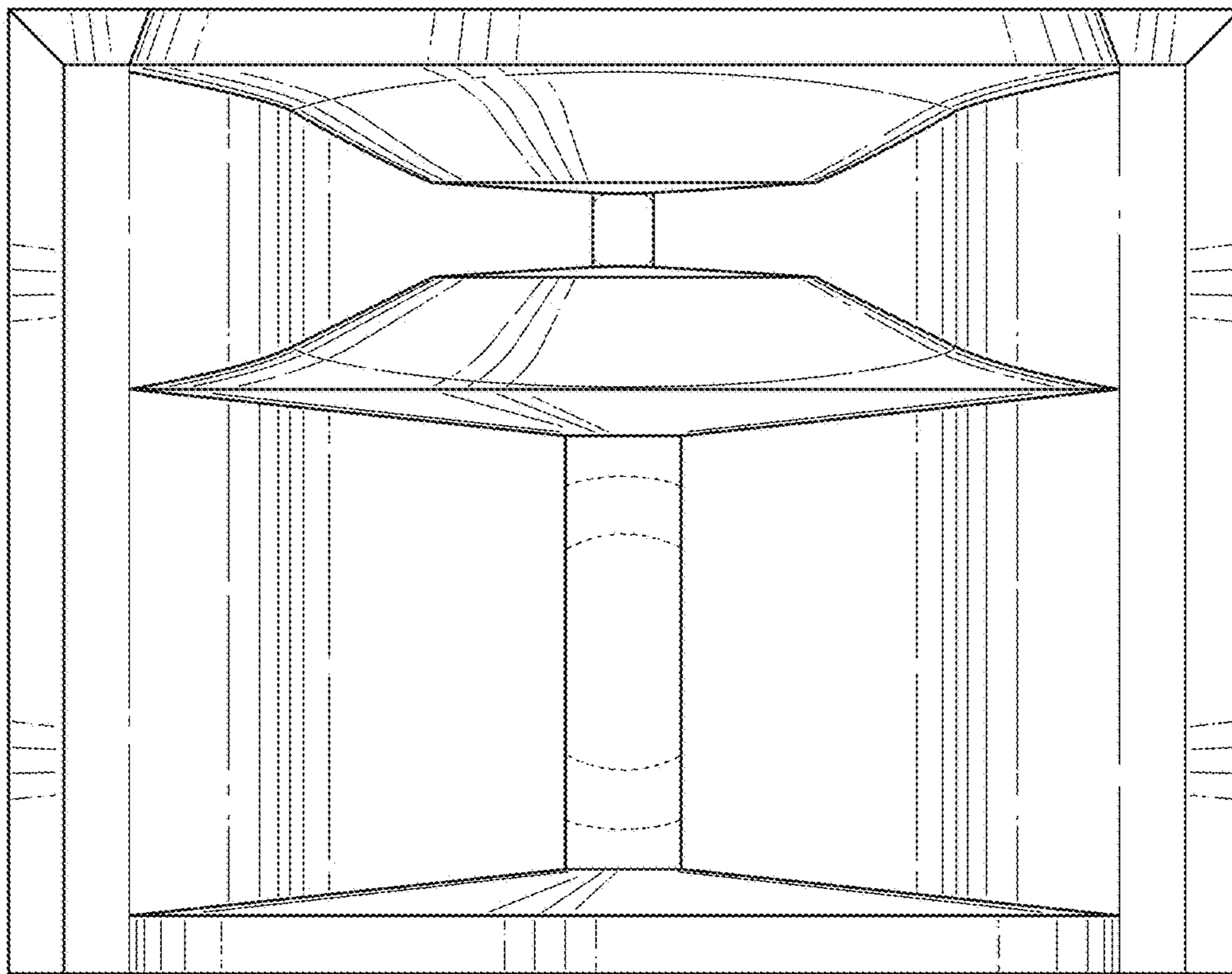


FIG. 2

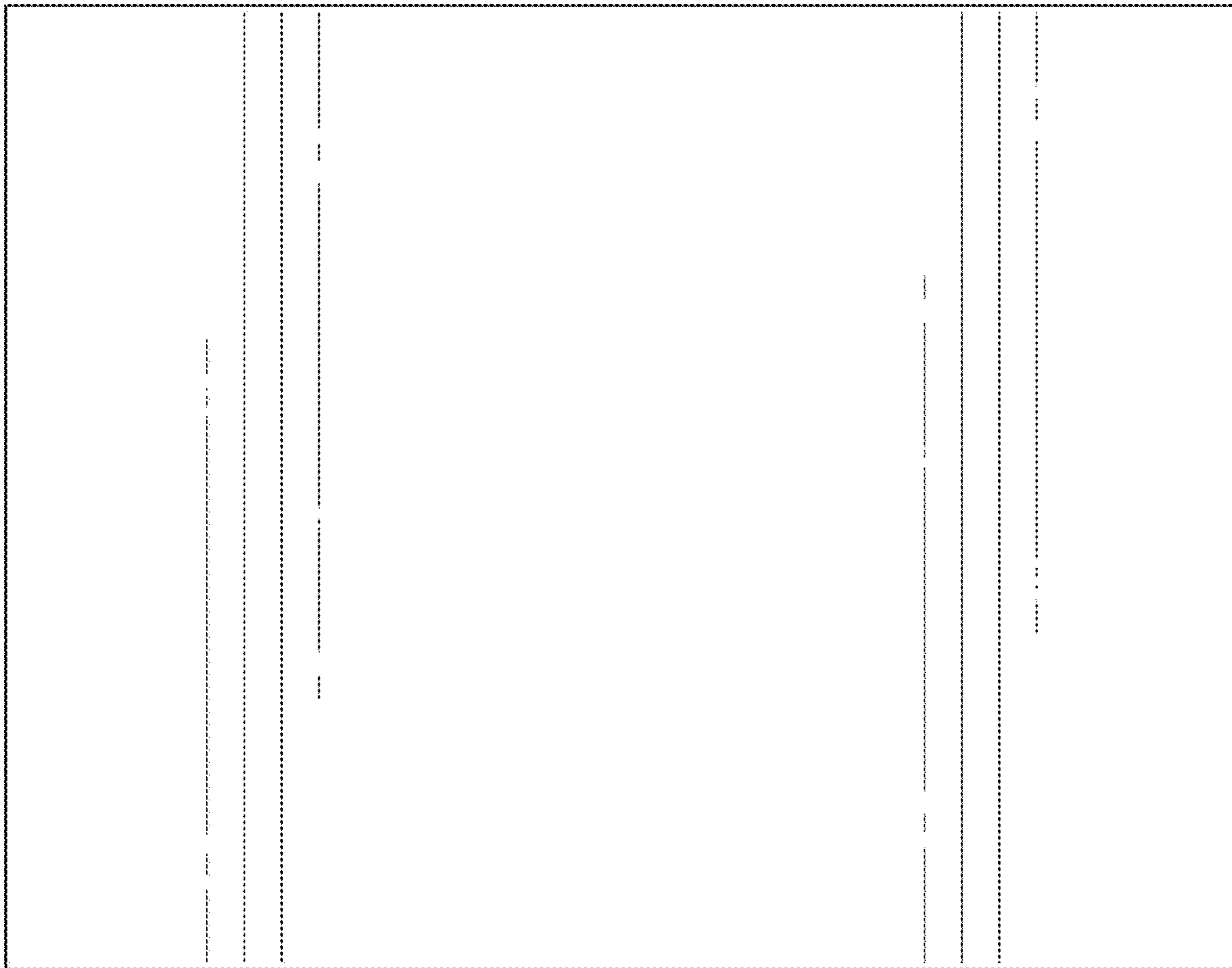


FIG. 3

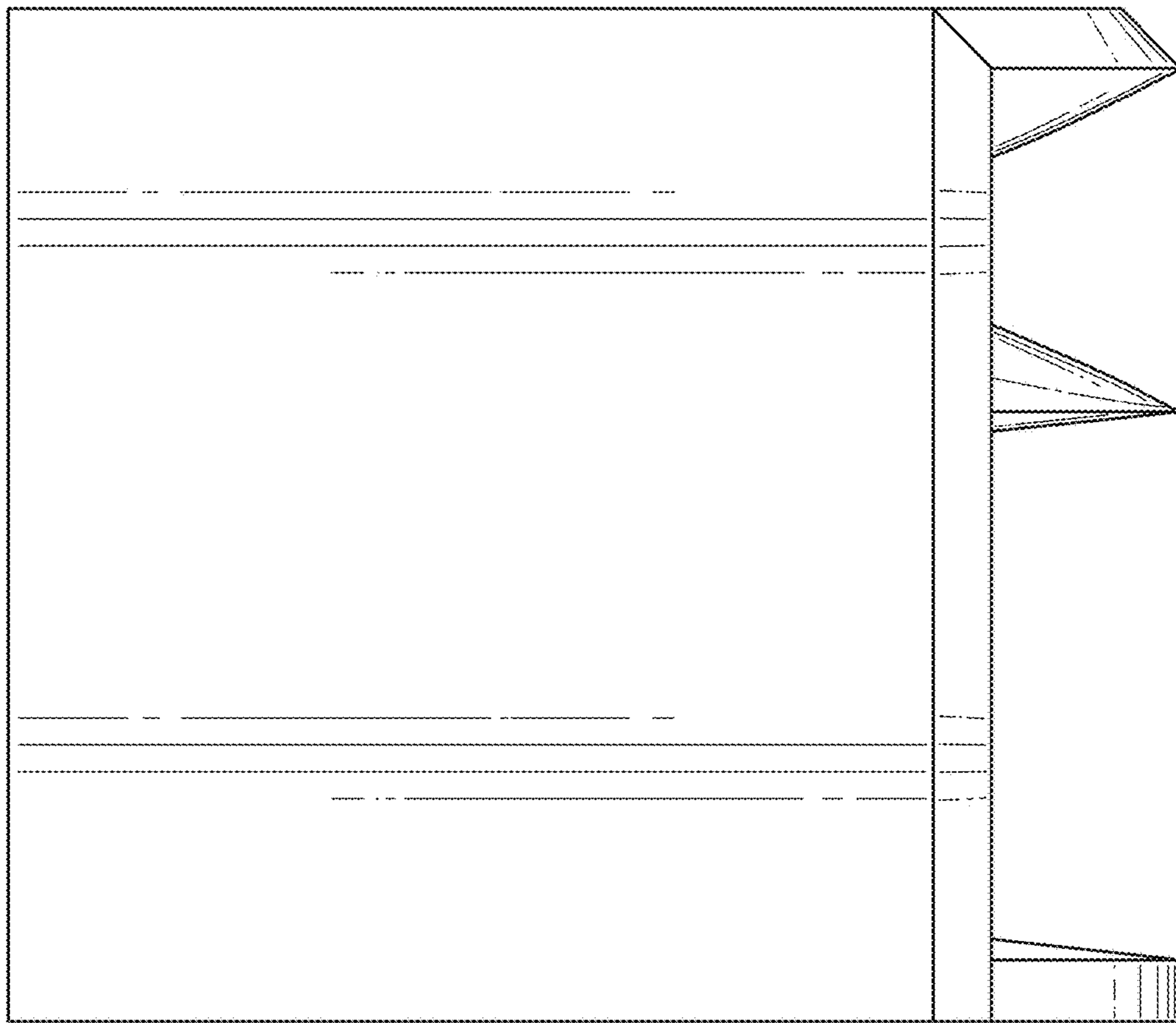


FIG. 4



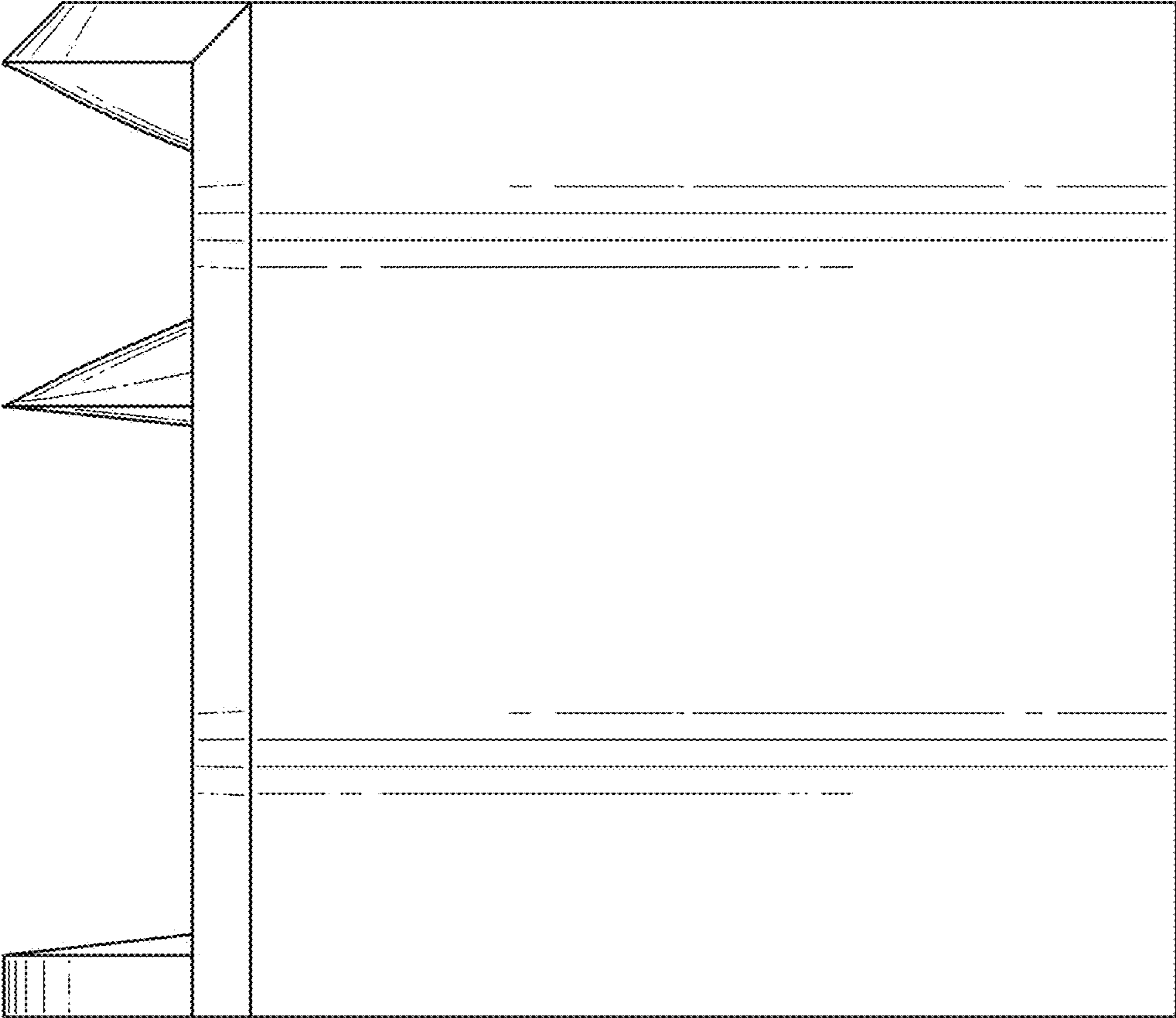


FIG. 5

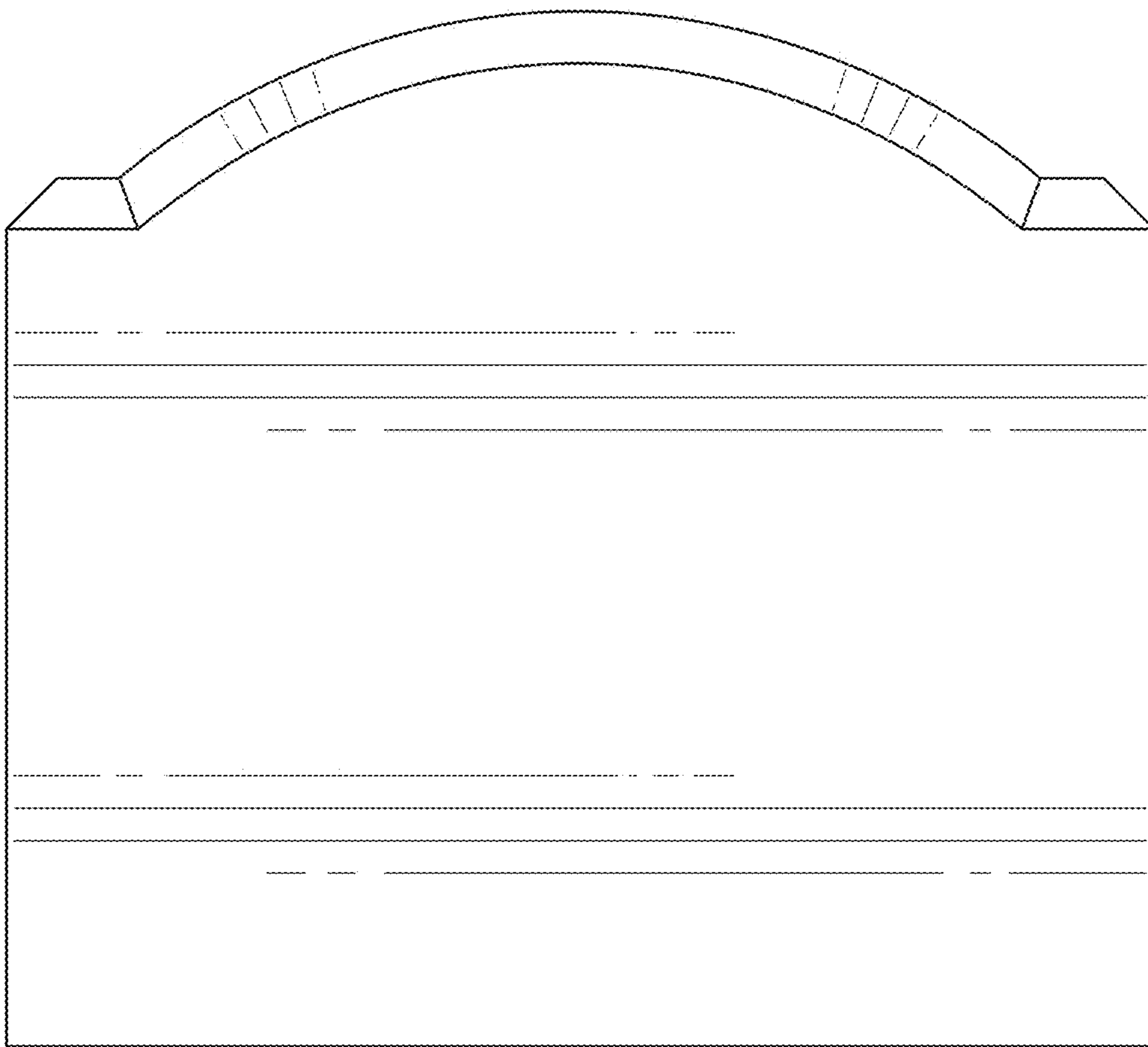


FIG. 6

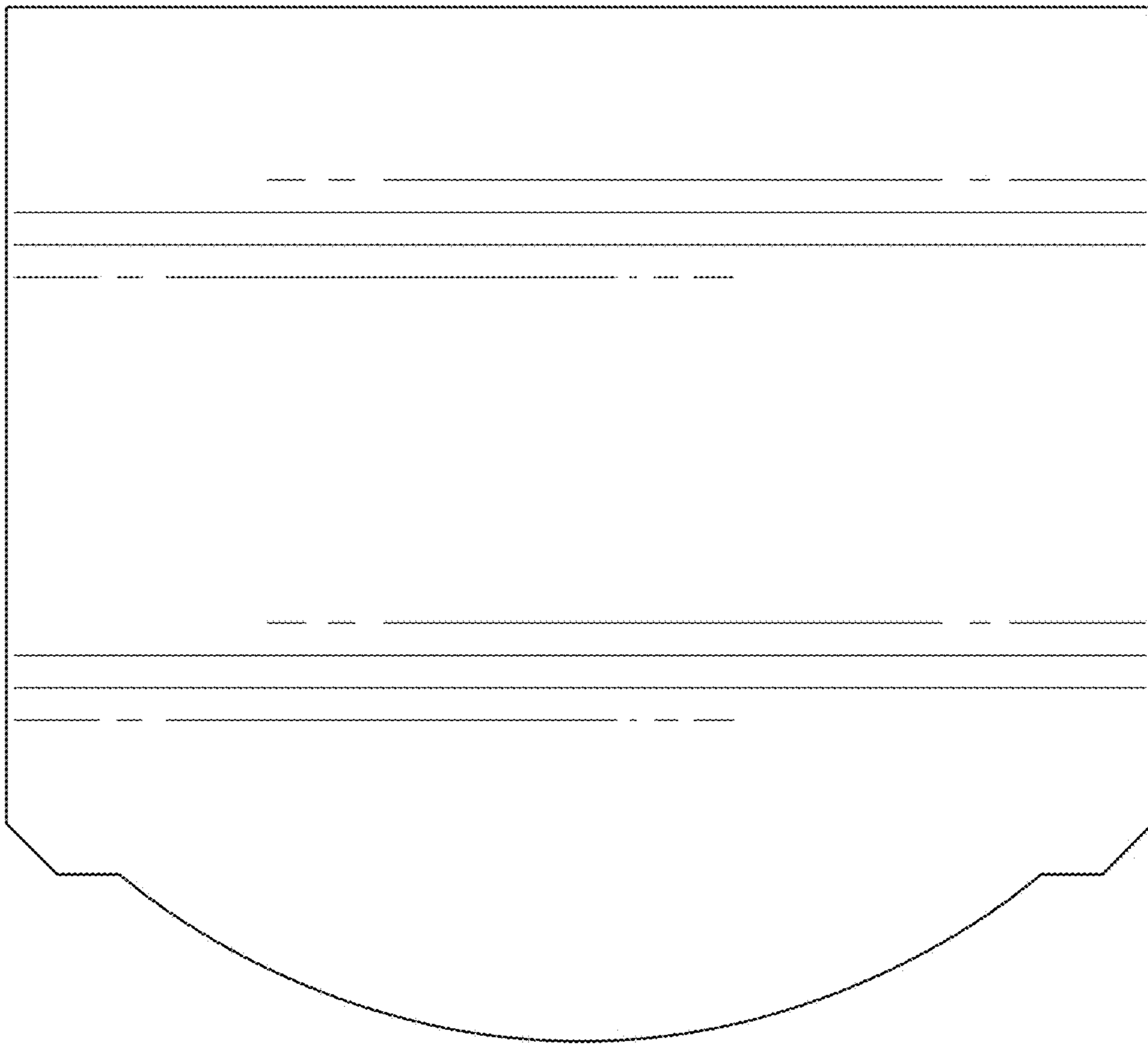


FIG. 7