



US00D837181S

(12) **United States Design Patent**
Kitamura et al.

(10) **Patent No.:** **US D837,181 S**

(45) **Date of Patent:** **** Jan. 1, 2019**

(54) **SPEAKER**

D674,378 S * 1/2013 Ishinabe D14/224
D676,020 S * 2/2013 Matsumura D14/204
D678,867 S * 3/2013 Matsumura D14/204

(71) Applicant: **PIONEER CORPORATION**, Tokyo
(JP)

FOREIGN PATENT DOCUMENTS

(72) Inventors: **Meiji Kitamura**, Tokyo (JP); **Yusuke Matsubayashi**, Tokyo (JP)

JP 1329064 S 5/2008
JP 1329109 S 5/2008
JP 1348907 S 1/2009
JP 1396787 S 9/2010
JP 1450113 S 9/2012
JP 1518778 S 3/2015

(73) Assignee: **PIONEER CORPORATION**, Tokyo
(JP)

(**) Term: **15 Years**

OTHER PUBLICATIONS

(21) Appl. No.: **29/588,661**

Audio & AV 2017 Car Entertainment Dealer Reference Guide, vol. 1, pp. 79, 83, and 88.

(22) Filed: **Dec. 22, 2016**

* cited by examiner

(30) **Foreign Application Priority Data**

Aug. 10, 2016 (JP) 2016-017167

(51) **LOC (11) Cl.** **14-01**

(52) **U.S. Cl.**
USPC **D14/204**

(58) **Field of Classification Search**
USPC D14/188, 204, 209.1, 210–215, 348, 349,
D14/352, 498–505; 181/143, 144, 148,
181/153, 157, 198, 199; 369/6–12;
381/300–303, 361–364, 366, 386–388
CPC H04R 1/02; H04R 1/021; H04R 1/025;
H04R 1/026; H04R 1/028; H04R 1/403;
H04R 1/2803; H04R 1/2834; H04R 5/02;
H04R 9/06; H04R 19/013; H04R 2400/00
See application file for complete search history.

Primary Examiner — Derrick E Holland

Assistant Examiner — Janice Patyk

(74) *Attorney, Agent, or Firm* — Drinker Biddle & Reath
LLP

(57) **CLAIM**

The ornamental design for a speaker, as shown and described.

DESCRIPTION

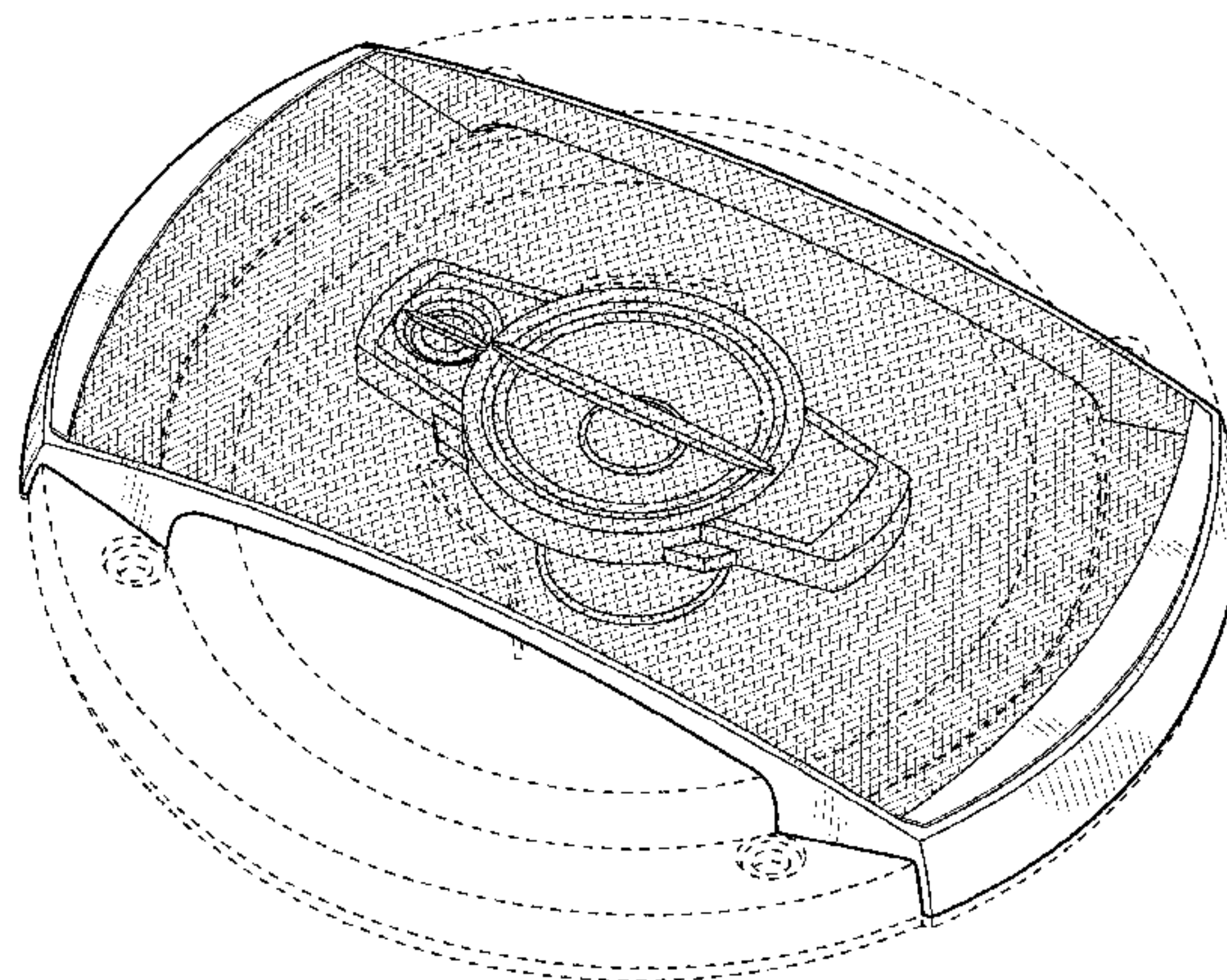
FIG. 1 is a front, bottom, right side perspective view of a speaker, showing our new design;
FIG. 2 is a front view thereof;
FIG. 3 is a rear view thereof;
FIG. 4 is a left side view thereof;
FIG. 5 is a right side view thereof;
FIG. 6 is a top view thereof;
FIG. 7 is a bottom view thereof; and,
FIG. 8 is a front view thereof, shown with the grill in detached condition for ease of illustration.
The portions of the article in broken lines form no part of the claimed design.

(56) **References Cited**

U.S. PATENT DOCUMENTS

D276,912 S * 12/1984 Yoshikawa D14/215
D579,916 S * 11/2008 Ichikawa D14/216
D591,729 S * 5/2009 Natori D14/216
D593,542 S * 6/2009 Kurihara D14/216
D596,620 S * 7/2009 Ichikawa D14/216
D608,764 S * 1/2010 Oishi D14/216
D635,553 S * 4/2011 Yagihashi D14/216

1 Claim, 8 Drawing Sheets



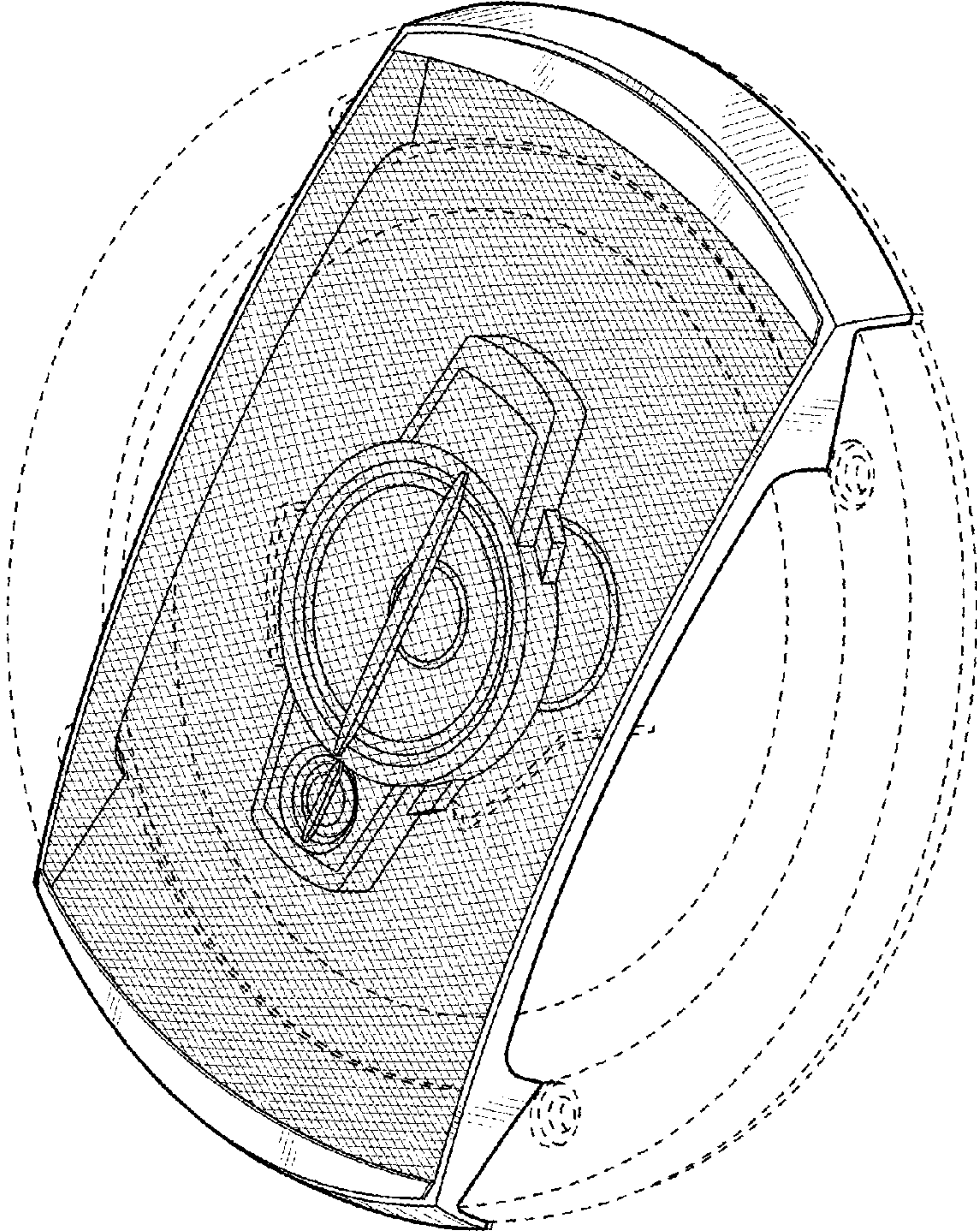


FIG. 1

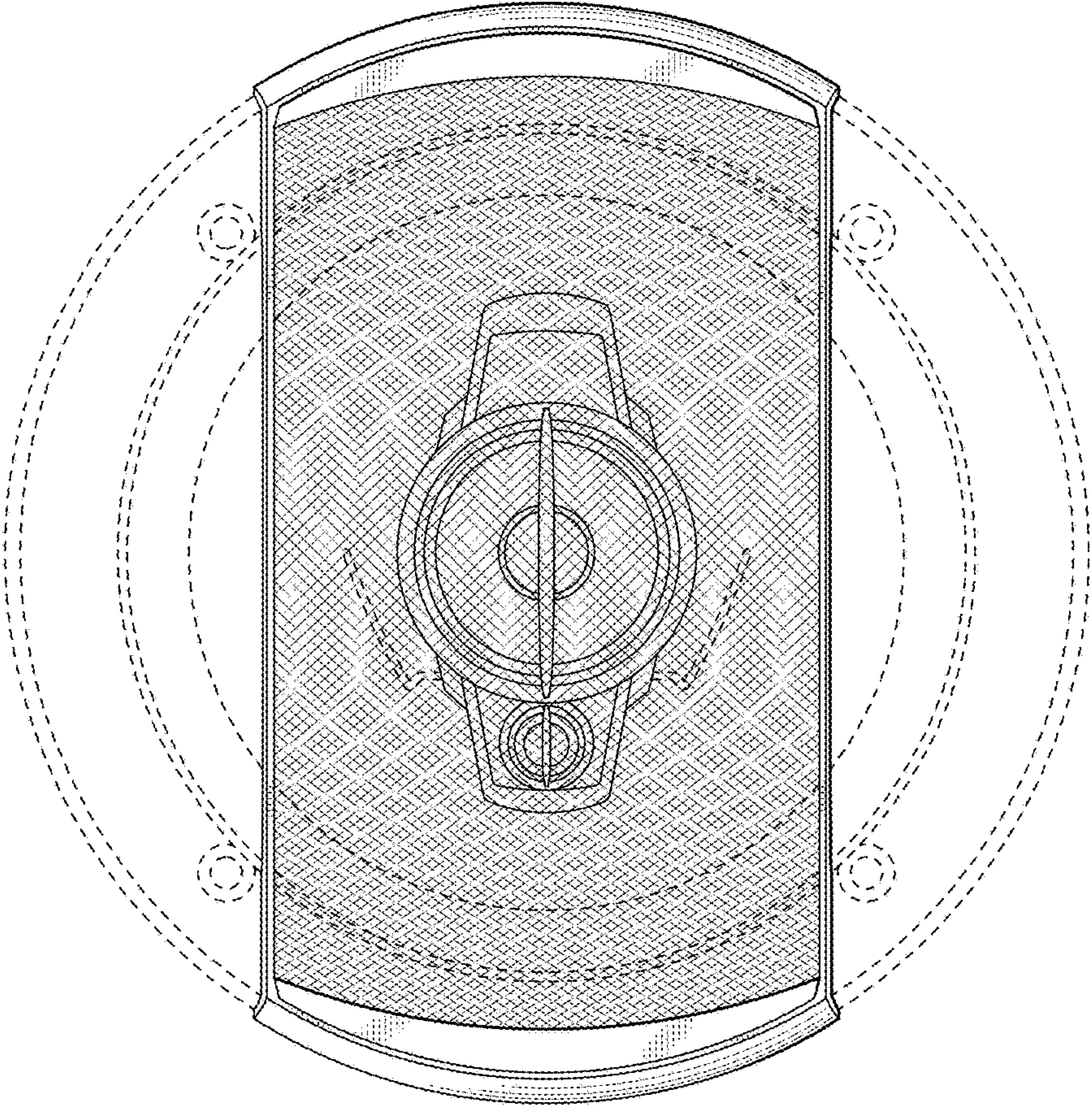


FIG. 2

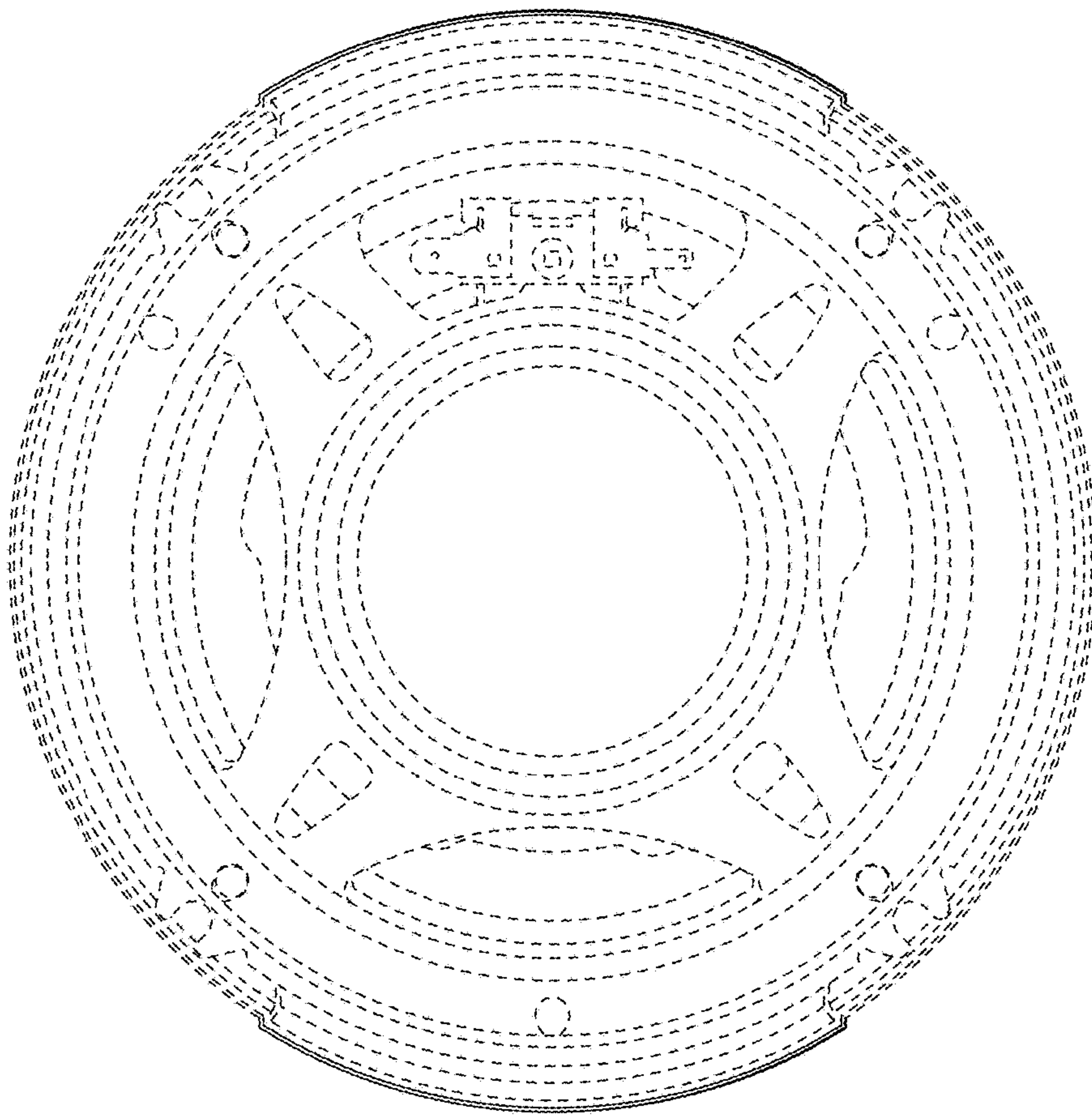


FIG. 3

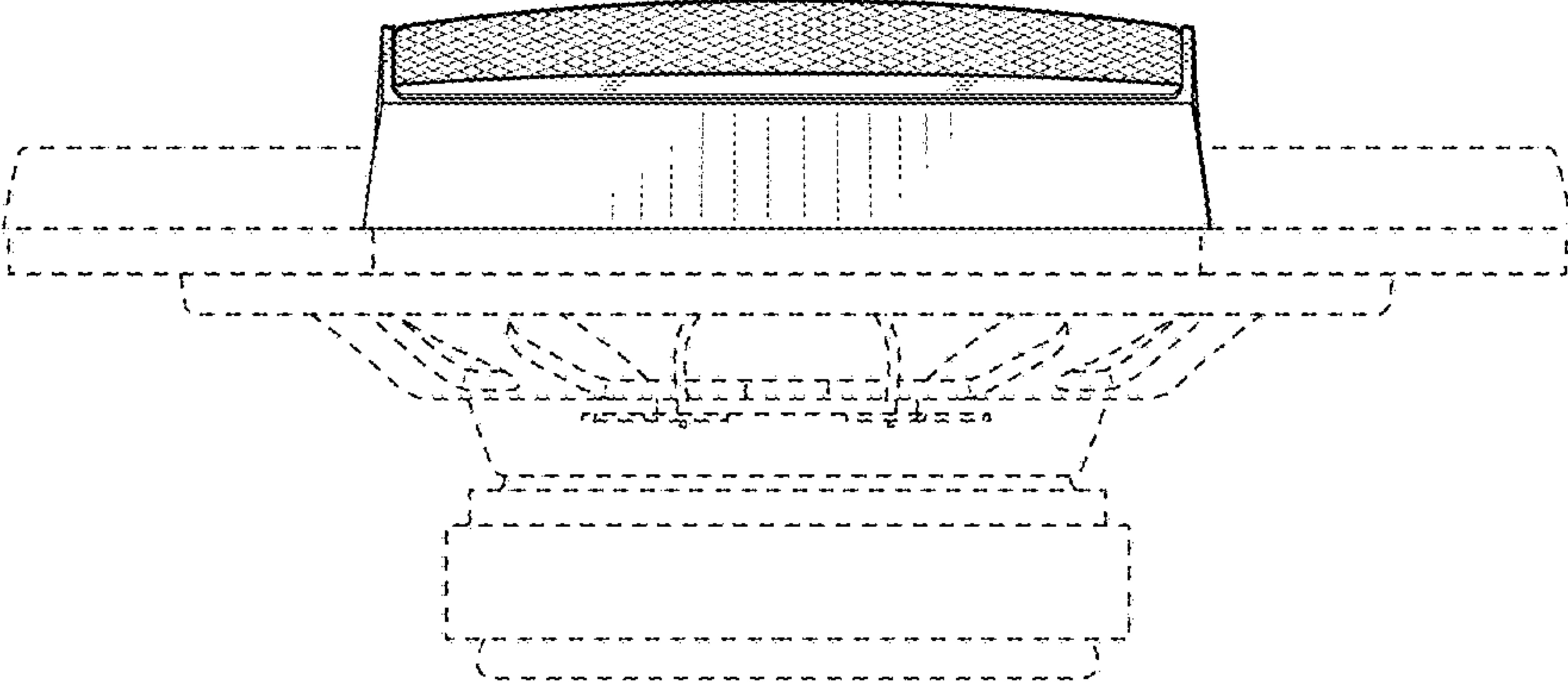


FIG. 4

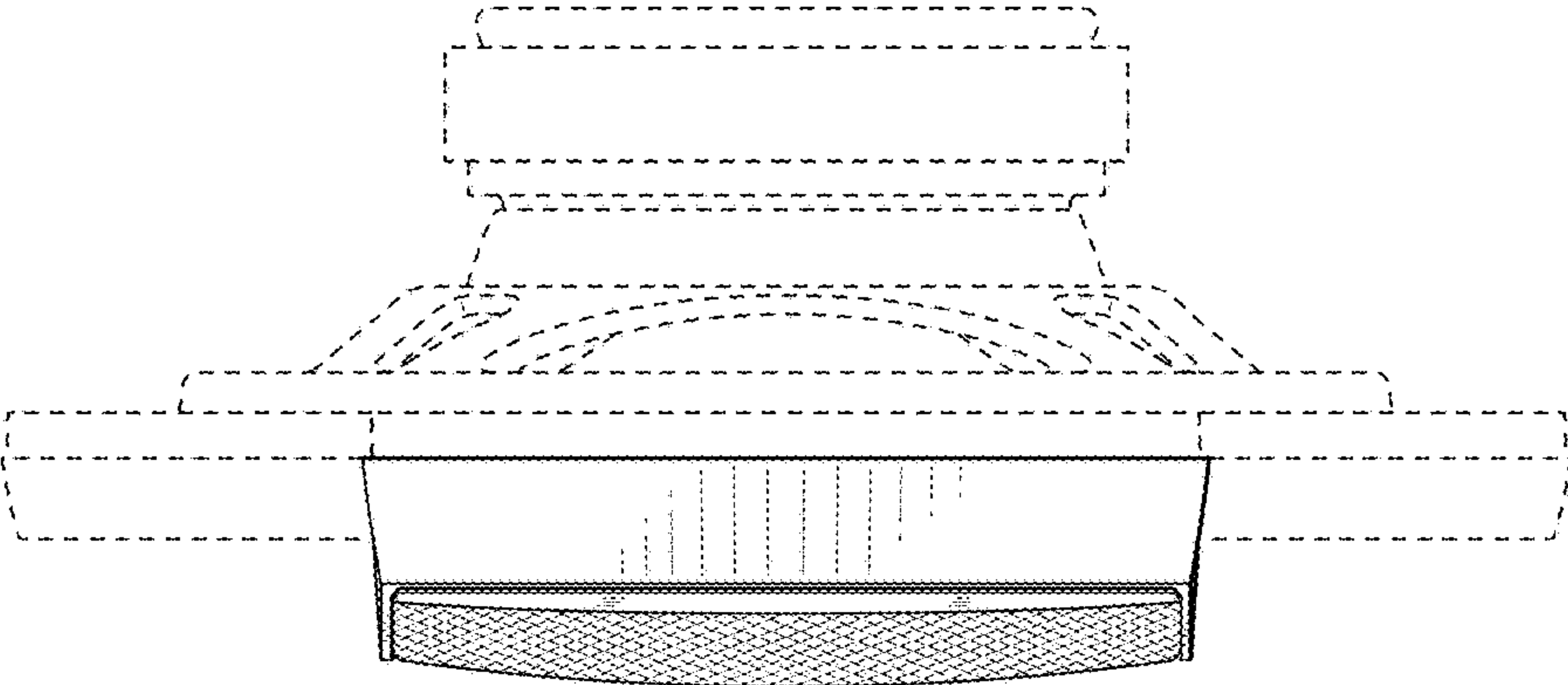


FIG. 5

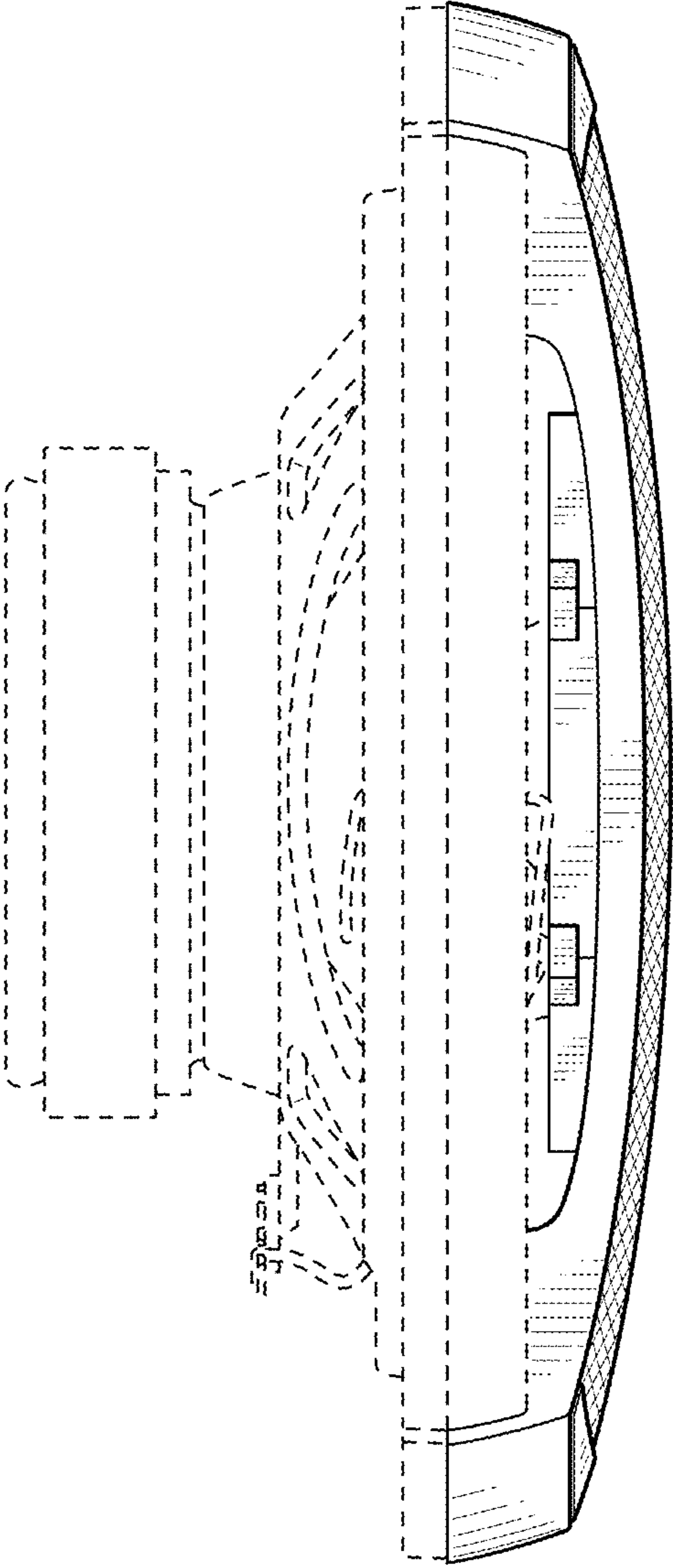


FIG. 6

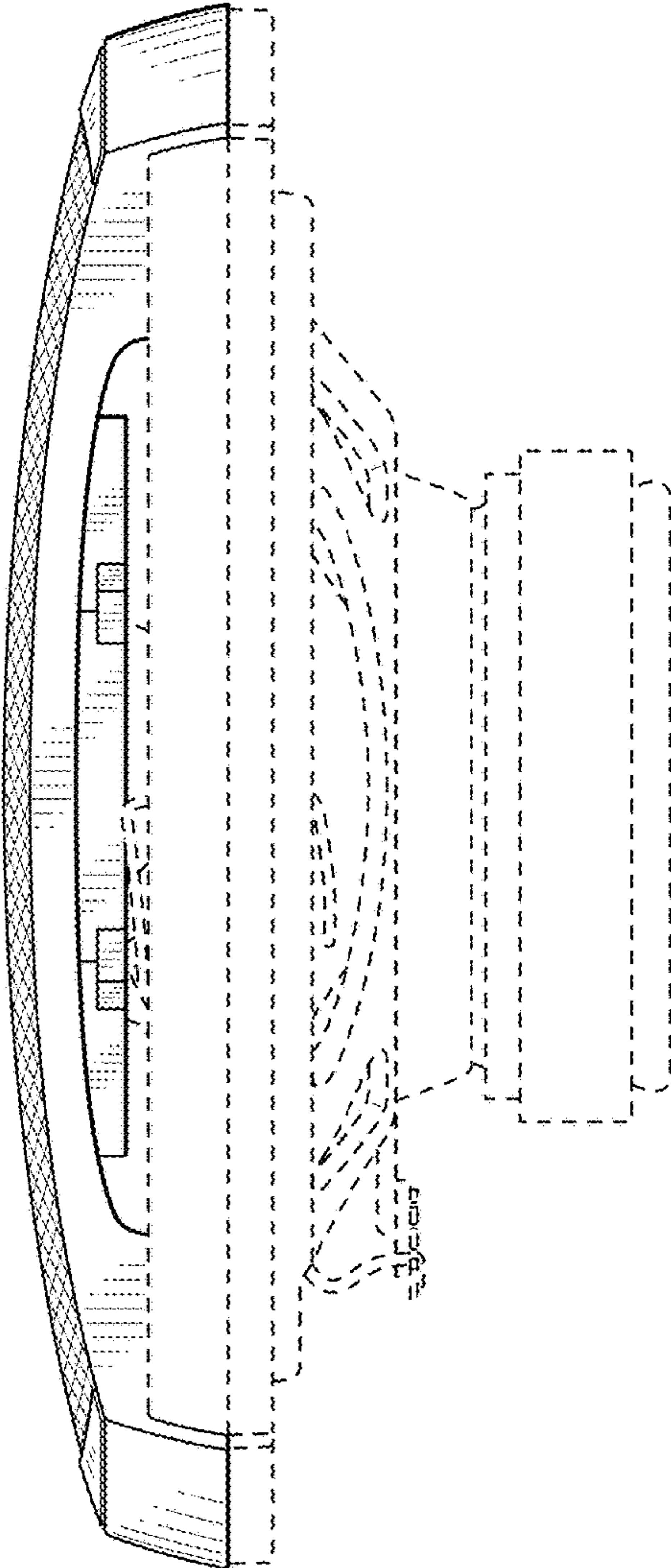


FIG. 7

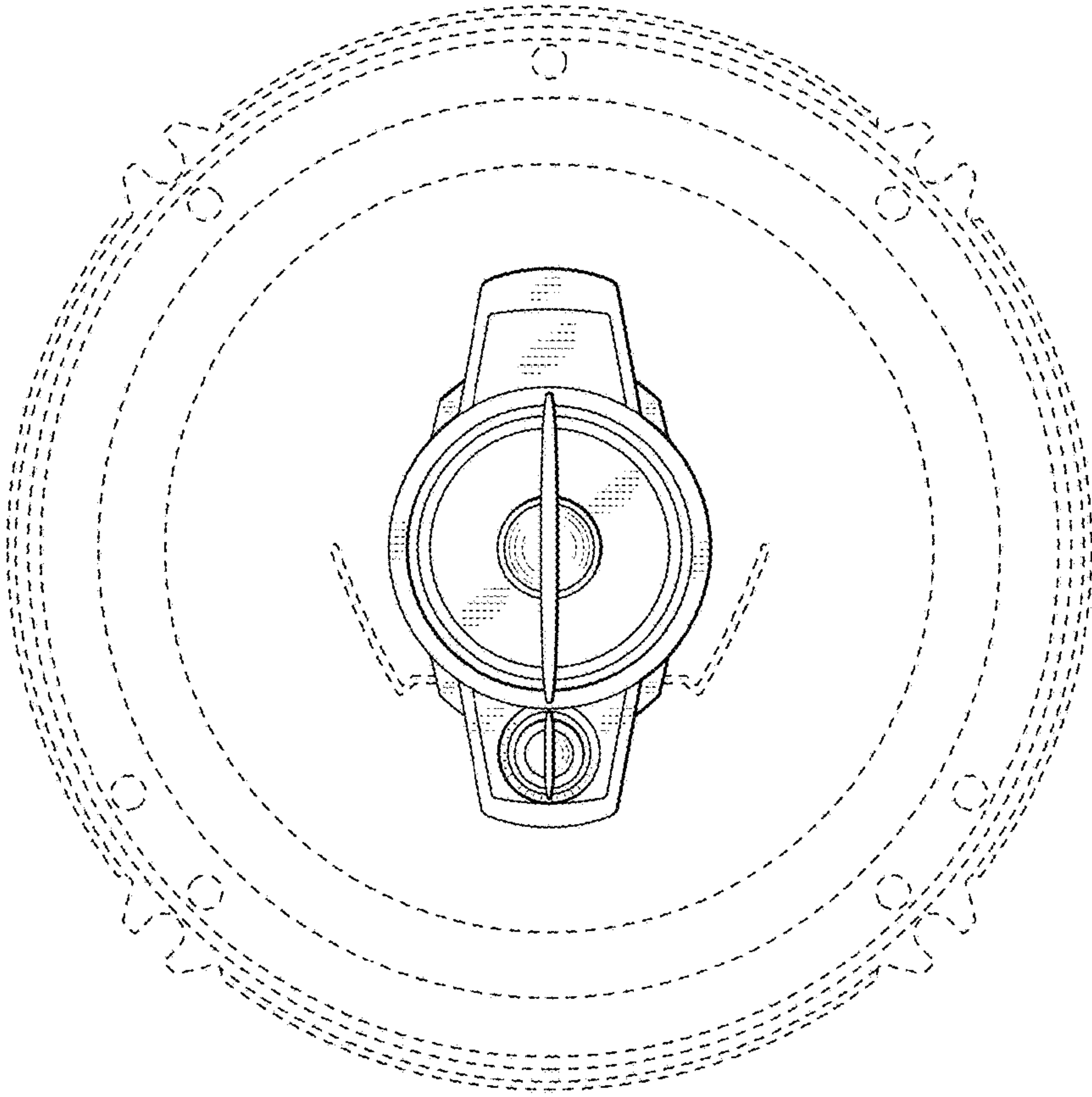


FIG. 8