



US00D837180S

(12) **United States Design Patent**  
**Silva**

(10) **Patent No.:** **US D837,180 S**

(45) **Date of Patent:** **\*\* Jan. 1, 2019**

(54) **COMMUNICATOR**

(71) Applicant: **KOVACORP**, Manahawkin, NJ (US)

(72) Inventor: **Christopher Anthony Silva**,  
Manahawkin, NJ (US)

(73) Assignee: **KOVACORP**, Manahawkin, NJ (US)

(\*\*) Term: **15 Years**

(21) Appl. No.: **29/604,341**

(22) Filed: **May 17, 2017**

(51) **LOC (11) Cl.** ..... **14-03**

(52) **U.S. Cl.**  
USPC ..... **D14/185; D14/159; D10/104.1**

(58) **Field of Classification Search**

USPC ... D14/185, 186, 496, 137, 159, 140, 140.1,  
D14/140.7, 140.8, 141.2, 142, 144,  
D14/146-151, 158, 188, 217, 240, 243,  
D14/245, 247, 248, 251, 258, 299, 329,  
D14/167, 168, 169, 172, 157, 203.1;  
D13/123, 162, 164, 168, 173, 177, 184,  
D13/199; D10/104.1, 106.1, 106.3,  
D10/106.9, 106.95, 116.1, 46, 47, 75,  
D10/109.2; D24/167, 185, 186  
CPC ..... H04M 1/00; H04M 1/02; H04M 1/0291;  
H04M 1/6033; H04W 48/10; H04R 27/00  
See application file for complete search history.

(56) **References Cited**

**U.S. PATENT DOCUMENTS**

D103,532 S *	3/1937	Jameson	.....	D14/159
D132,743 S *	6/1942	O'Neil	.....	D14/185
D185,798 S *	8/1959	Loge	.....	D14/159
D203,596 S *	2/1966	Kamp	.....	379/422
D213,050 S *	12/1968	Hardey	.....	D14/185
D218,430 S *	8/1970	Shimasaki	.....	D10/75
D218,435 S *	8/1970	Hill	.....	D10/46
D221,381 S *	8/1971	Kuramoto	.....	D10/75

D243,024 S *	1/1977	Pablik	.....	D14/137
D243,536 S *	3/1977	Van De Poel	.....	D14/159
D250,589 S *	12/1978	Greene	.....	D14/137
D251,247 S *	3/1979	Lindemann	.....	455/77
D252,948 S *	9/1979	Ferreira	.....	D10/46
D253,651 S *	12/1979	Richards	.....	D14/185
D255,032 S *	5/1980	Maddock	.....	D14/151
D273,581 S *	4/1984	Rosenbaum	.....	D10/106.1
D274,518 S *	7/1984	Doodson	.....	D14/159
D274,707 S *	7/1984	French	.....	D10/104.1
D279,471 S *	7/1985	Nakashima	.....	D14/159
D280,097 S *	8/1985	Yamagata	.....	D14/159
D285,681 S *	9/1986	Nakashima	.....	D14/159
D288,318 S *	2/1987	Yuen	.....	D14/144
D305,121 S *	12/1989	Pfeifer	.....	D14/159
D307,273 S *	4/1990	Carlile	.....	D14/159
D313,363 S *	1/1991	Reich	.....	D10/104.1
D313,416 S *	1/1991	DeWitt	.....	D14/186
D314,962 S *	2/1991	Hilton	.....	D14/185
D323,894 S *	2/1992	Rosati	.....	D24/186

(Continued)

*Primary Examiner* — Susan Bennett Hattan

*Assistant Examiner* — Marie D. Fast Horse

(74) *Attorney, Agent, or Firm* — Porzio Bromberg and Newman P.C.

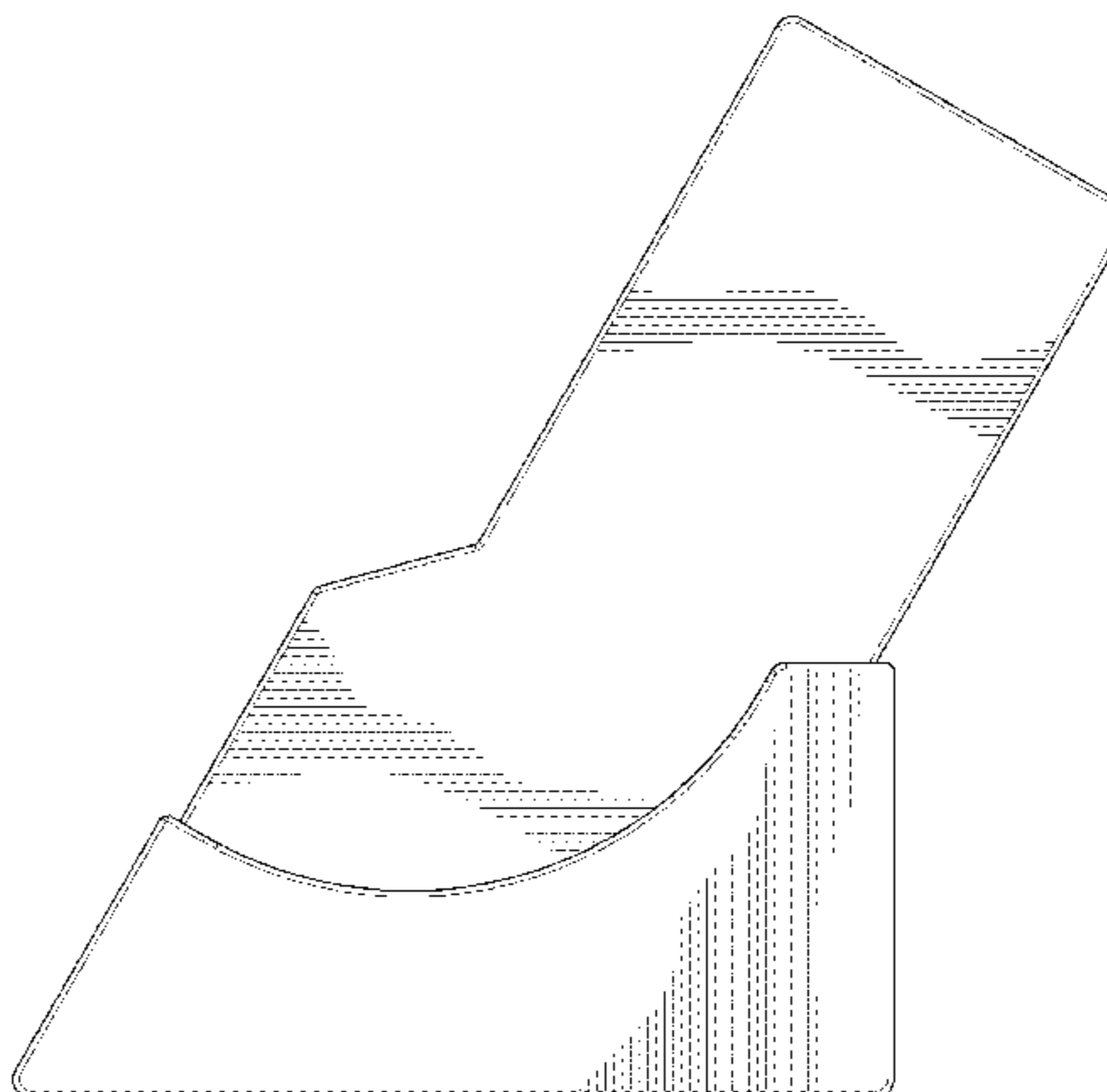
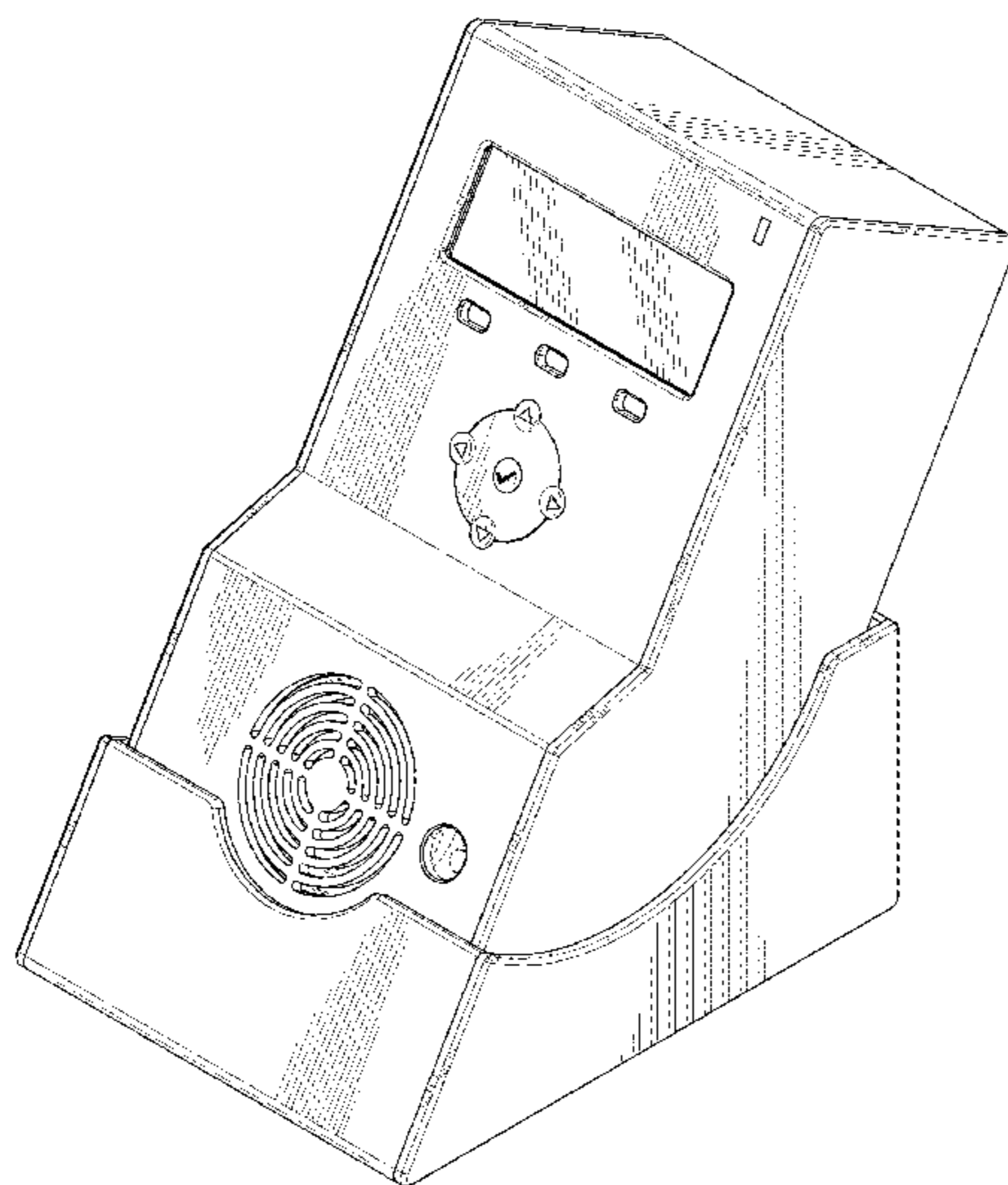
(57) **CLAIM**

I claim, the ornamental design for a communicator, as shown and described.

**DESCRIPTION**

FIG. 1 is a perspective view, showing our new design;  
FIG. 2 is a front elevational view thereof;  
FIG. 3 is a rear view thereof;  
FIG. 4 is a right side view thereof;  
FIG. 5 is a left side view thereof;  
FIG. 6 is a top plan view thereof; and,  
FIG. 7 is a bottom plan view thereof.  
The broken lines in the drawings depict portions of the communicator that form no part of the claimed design.

**1 Claim, 7 Drawing Sheets**



(56)

References Cited

U.S. PATENT DOCUMENTS

D325,202 S *	4/1992	Smith	D14/147	D399,203 S *	10/1998	Renk, Jr.	D14/159
D327,264 S *	6/1992	Goatman	D14/137	D413,541 S *	9/1999	Kaiser	D10/116.1
D332,100 S *	12/1992	Blattner	D14/159	D424,464 S *	5/2000	Stephens	D10/104.1
D332,833 S *	1/1993	Lauks	D10/78	D427,315 S *	6/2000	Saltzstein	D24/186
D338,632 S *	8/1993	Colberg	D10/104.1	D434,991 S *	12/2000	Brooks	D10/104.1
D338,843 S *	8/1993	Loose	D10/106.1	D440,562 S *	4/2001	Gottlieb	D14/341
D339,540 S *	9/1993	Chapelsky	D14/159	D468,287 S *	1/2003	Cornelissen	D14/185
D344,466 S *	2/1994	Caldwell	D10/106.1	D484,867 S *	1/2004	Little, Jr.	D14/188
D344,906 S *	3/1994	Abrams	D14/159	D500,297 S *	12/2004	Chan	D14/143
D345,314 S *	3/1994	Chandra	D14/185	D516,446 S *	3/2006	Chen	D10/106.1
D348,410 S *	7/1994	Adams	D10/104.1	D521,985 S *	5/2006	Thibado	D14/218
D349,699 S *	8/1994	Sacher	D14/141.2	D527,370 S *	8/2006	Wong	D14/147
D349,863 S *	8/1994	Freedman	D10/106.1	D557,351 S *	12/2007	Arena	D21/483
D356,797 S *	3/1995	Young	D14/218	D568,194 S *	5/2008	Vojinovic	D10/109.2
D358,153 S *	5/1995	Jackson	D13/162	D569,981 S *	5/2008	Collins	D24/186
D372,435 S *	8/1996	Bellomo	D10/106.1	D604,418 S *	11/2009	Jones	D24/165
D376,330 S *	12/1996	Bellomo	D10/106.1	D628,926 S *	12/2010	Carey	D10/106.3
D378,753 S *	4/1997	DiBlasi	D10/106.1	D661,680 S *	6/2012	Wei	D14/155
D380,973 S *	7/1997	Arney	D10/104.1	D661,682 S *	6/2012	Polito	D14/186
D385,209 S *	10/1997	Mercer	D10/106.1	D709,780 S *	7/2014	Hogg	D10/104.1
D386,495 S *	11/1997	Schmoll	D14/142	D710,228 S *	8/2014	Burke	D10/104.1
D390,553 S *	2/1998	Beaumont	D14/137	D710,229 S *	8/2014	Burke	D10/104.1
D392,636 S *	3/1998	Faulknor	D14/144	D710,230 S *	8/2014	Burke	D10/104.1
D394,653 S *	5/1998	Kato	D14/159	D729,093 S *	5/2015	Garcia	D10/104.1
				D769,757 S *	10/2016	Savage, Jr.	G08B 5/38 D10/109.2
				2016/0330556 A1 *	11/2016	Defnet	H04R 27/00

\* cited by examiner

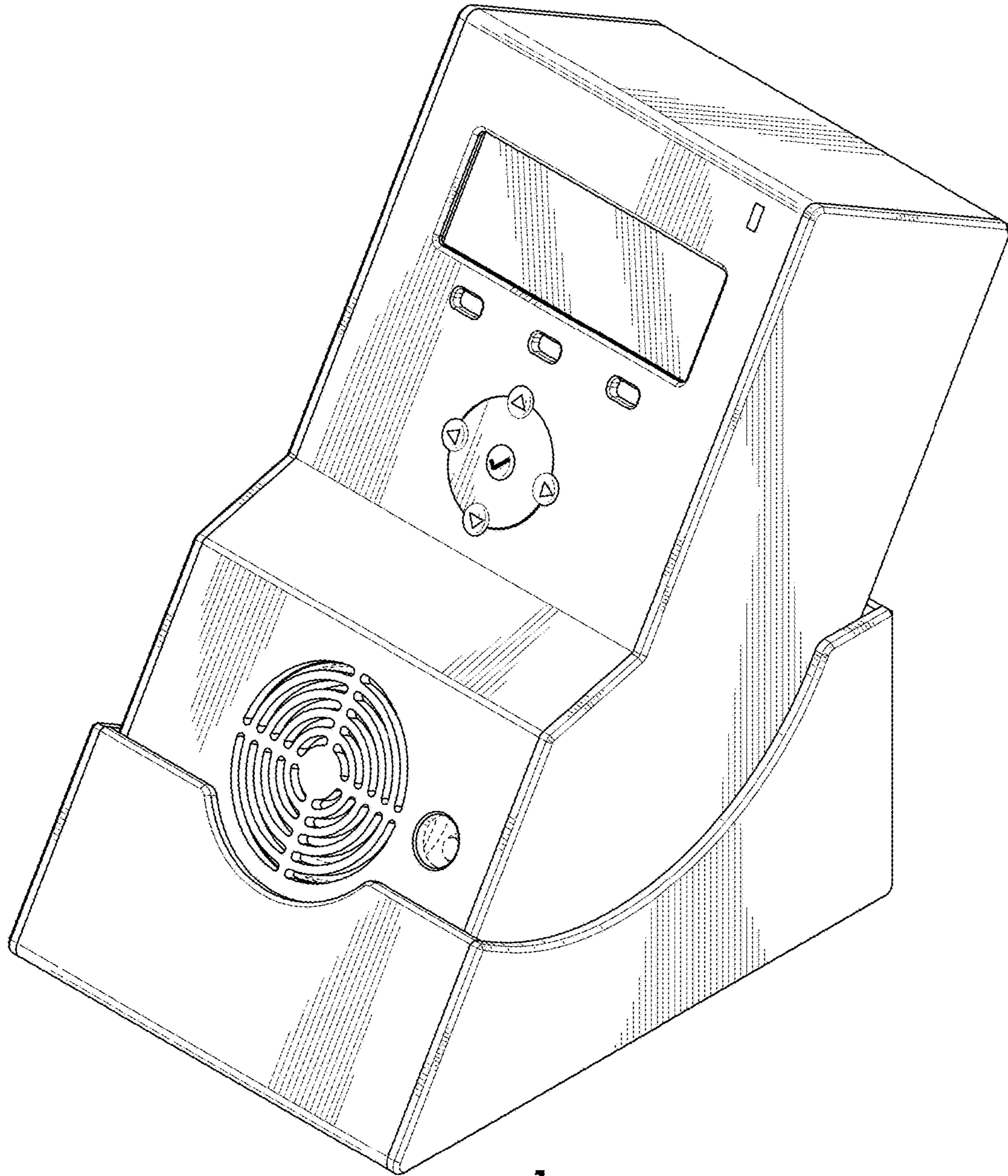


FIG. 1

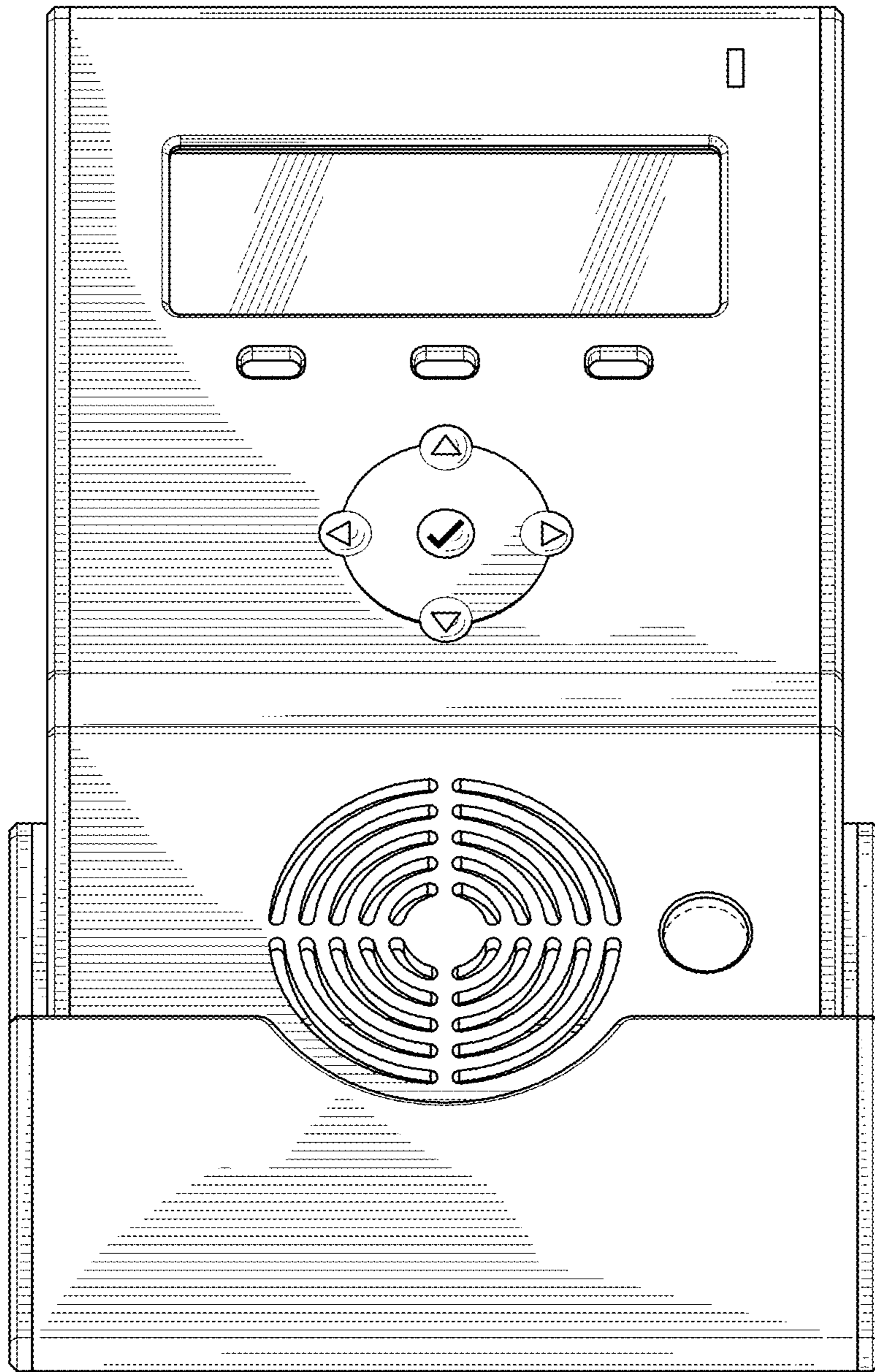
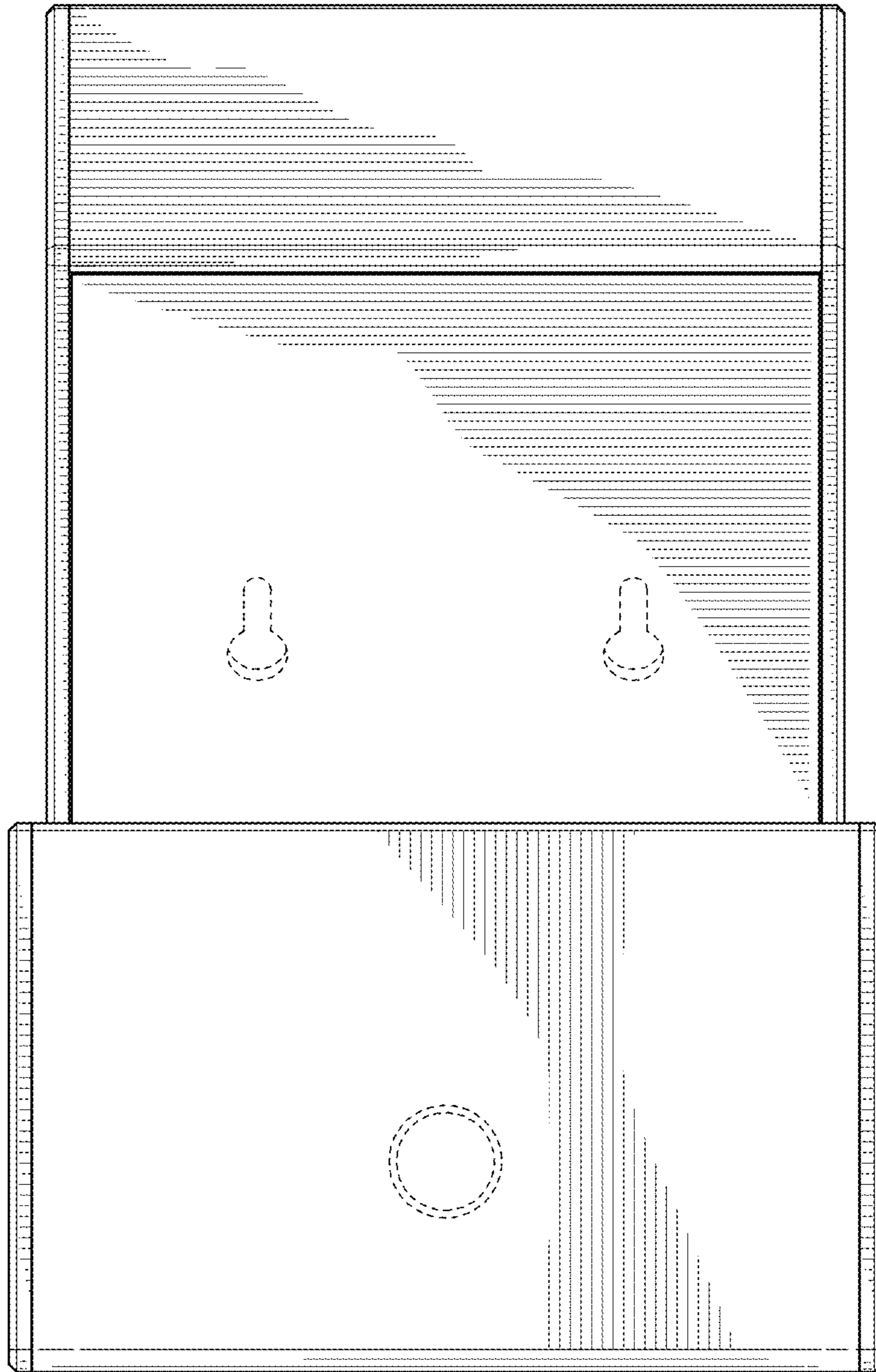


FIG. 2



**FIG. 3**

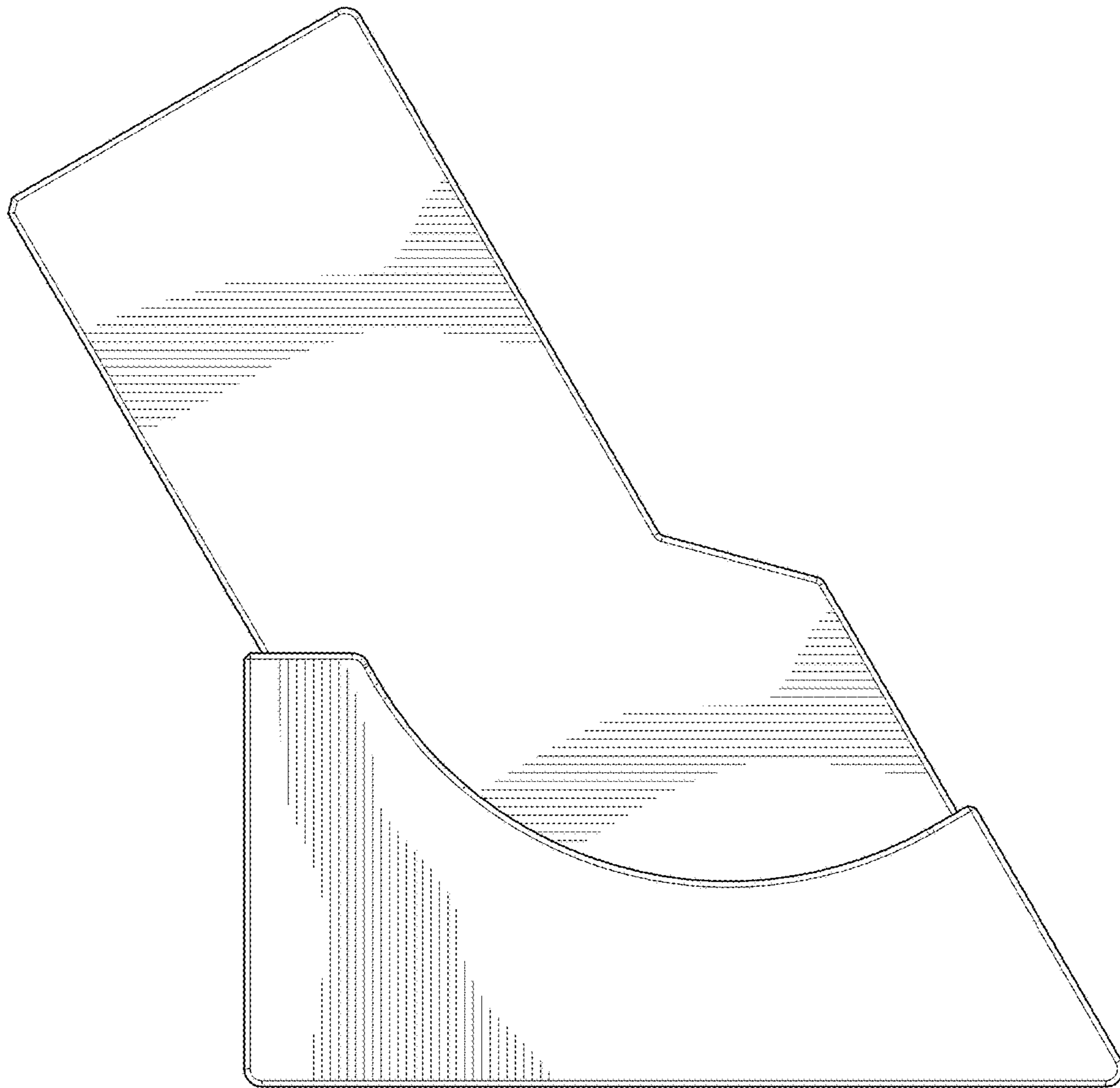


FIG. 4

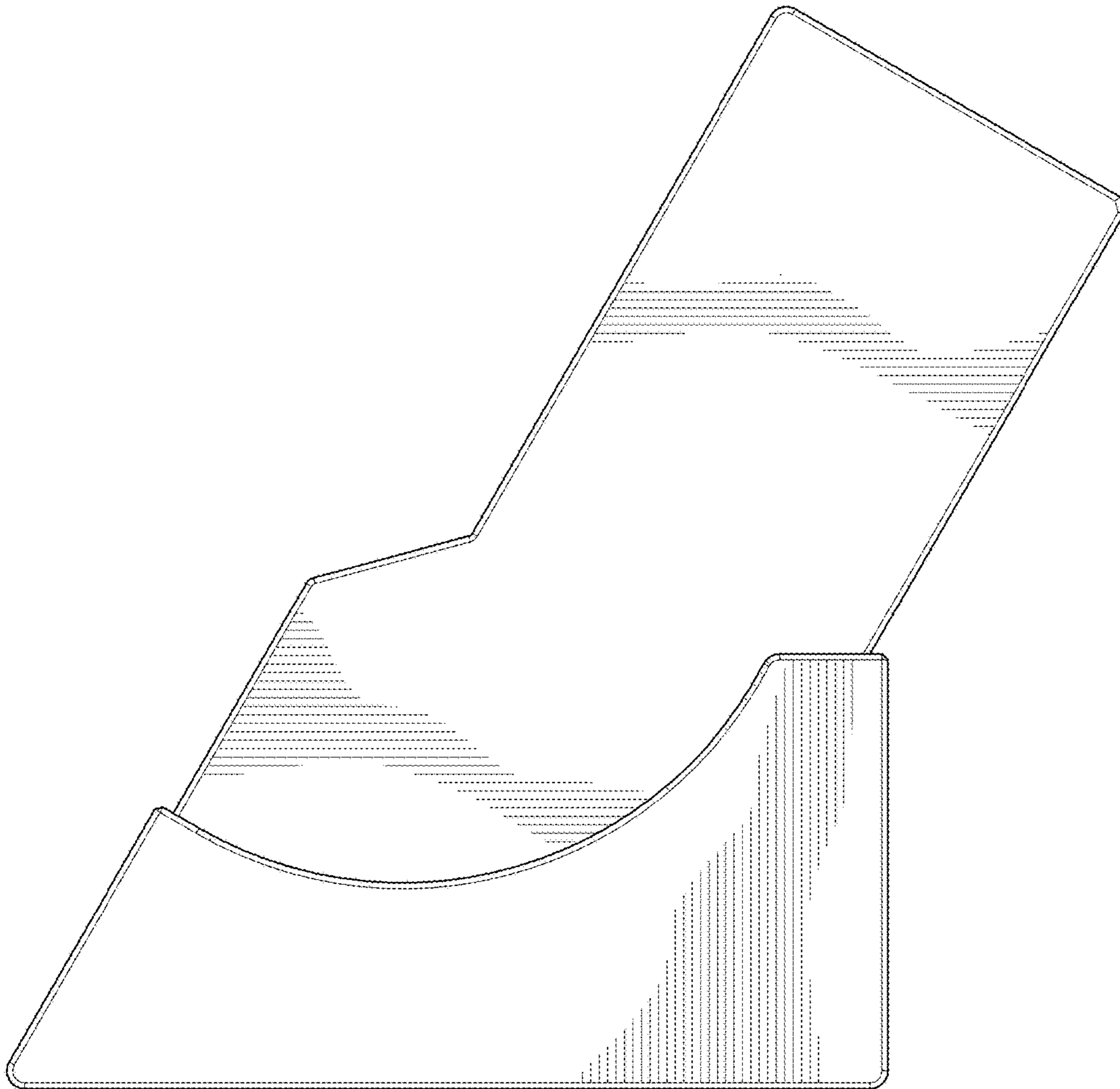


FIG. 5

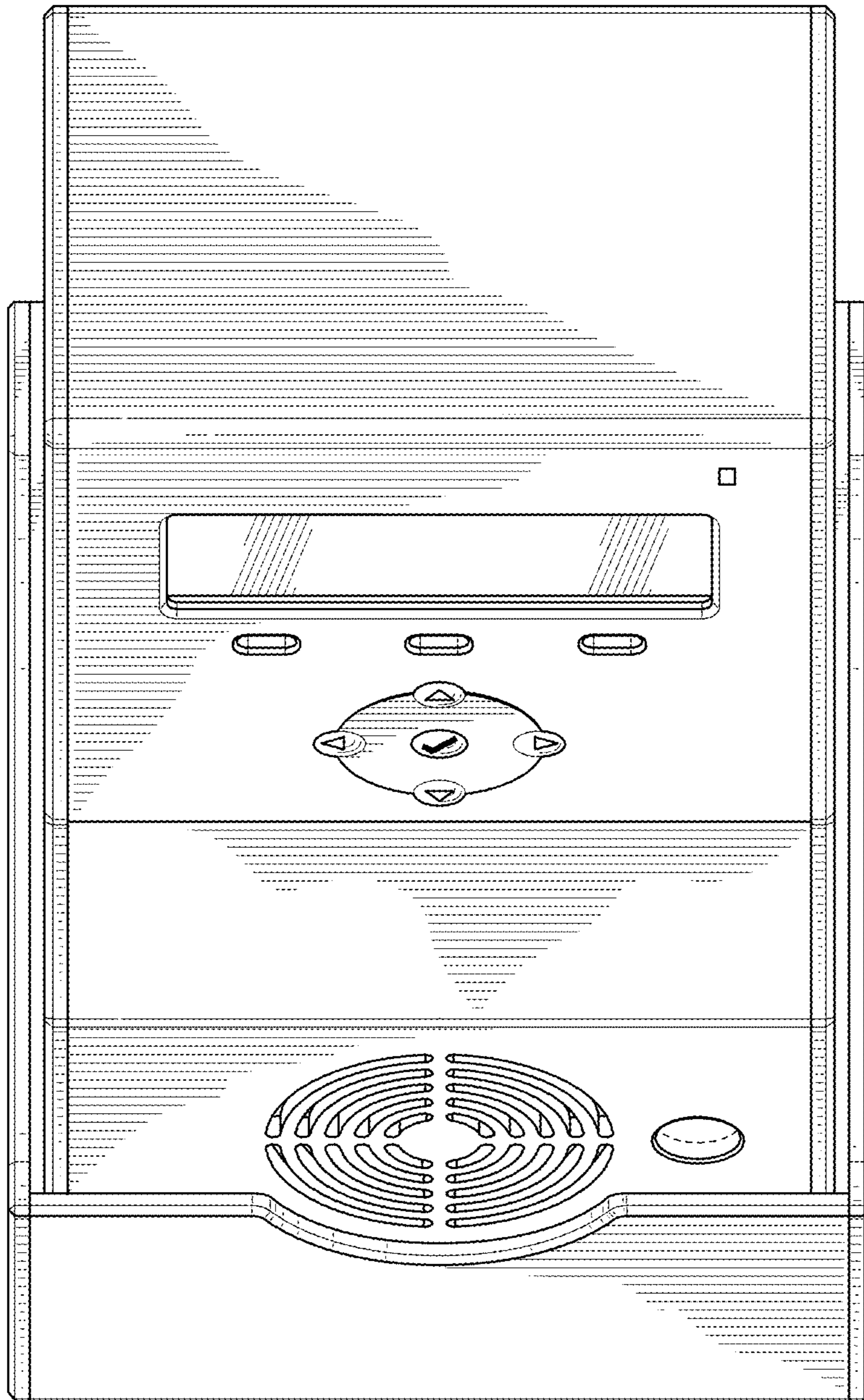
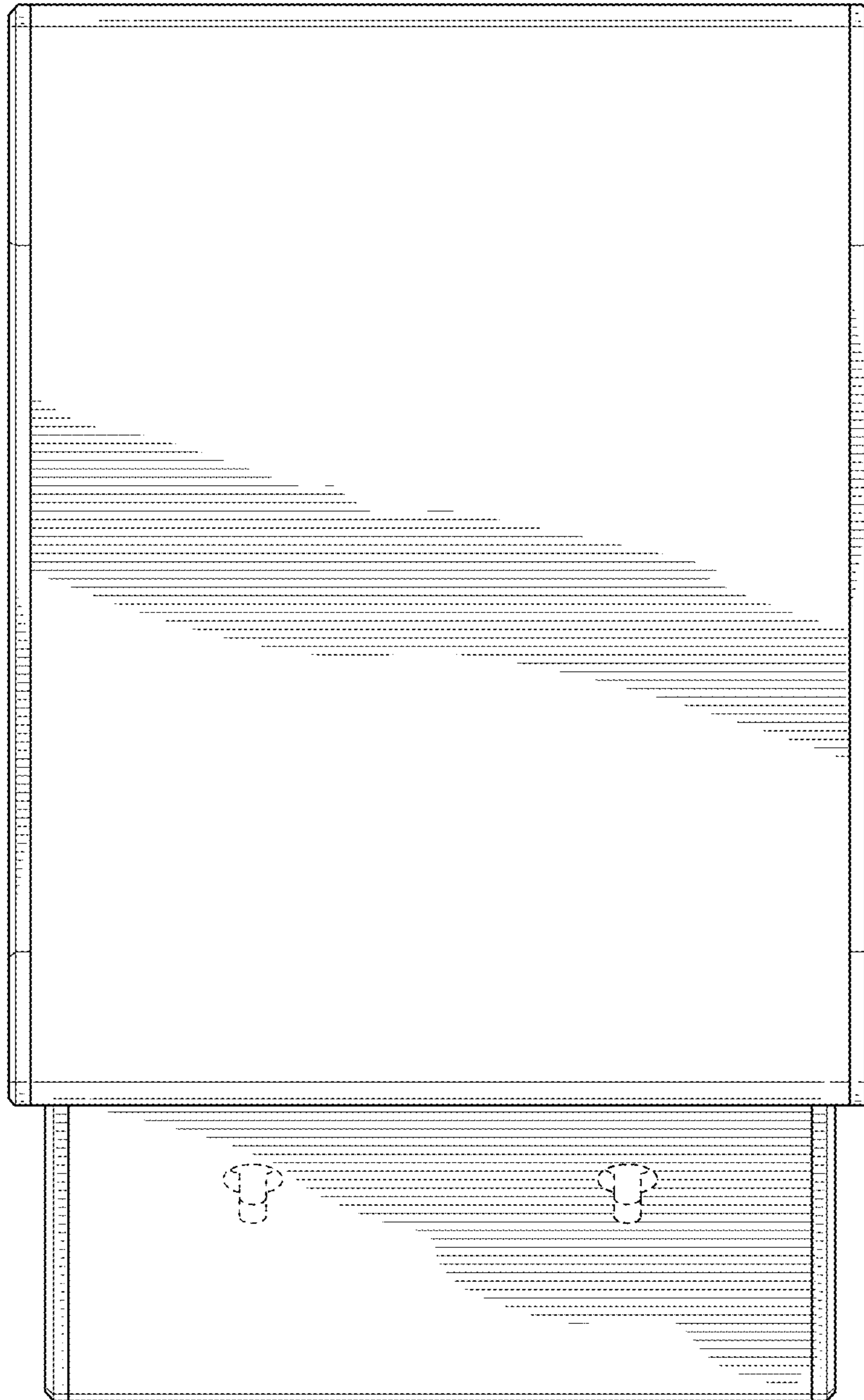


FIG. 6





**FIG. 7**