



US00D837173S

(12) **United States Design Patent** (10) **Patent No.:** **US D837,173 S**
Lyngra et al. (45) **Date of Patent:** **** Jan. 1, 2019**

(54) **FREESTANDING COLLABORATION
ENDPOINT**

(71) Applicant: **Cisco Technology, Inc.**, San Jose, CA
(US)

(72) Inventors: **Andre Lyngra**, Oslo (NO); **Lars
Torbjørn Ormvold**, Sperrebotn (NO);
Stian Akre, Hvam (NO)

(73) Assignee: **Cisco Technology, Inc.**, San Jose, CA
(US)

(**) Term: **15 Years**

(21) Appl. No.: **29/622,388**

(22) Filed: **Oct. 17, 2017**

(51) **LOC (11) Cl.** **14-03**

(52) **U.S. Cl.**
USPC **D14/126; D14/239**

(58) **Field of Classification Search**
USPC D14/125-134, 239, 371, 136, 374-377,
D14/440, 450, 448, 336, 342, 159;
312/7.2; 348/836, 838, 180, 184, 325,
348/739; 248/917-924, 465; 345/104,
345/133, 156, 168, 87, 173; D21/329,
D21/515, 577, 622, 333, 433, 448, 452,
D21/450, 331, 505; D10/15, 26;
446/484, 175, 356; D6/477, 479, 300;
D20/10, 19, 39; D16/203, 241; 160/24
CPC G06F 1/1601; G06F 1/1643; G06F 1/1652;
G06F 1/1647; G06F 3/0412; H05K
5/0004; H05K 5/0017; H05K 5/02; H05K
5/0217; H04N 13/0459
See application file for complete search history.

(56) **References Cited**

U.S. PATENT DOCUMENTS

D434,738 S 12/2000 Takemasa
D439,225 S 3/2001 Kita

D471,189 S 3/2003 Bradley et al.
D486,915 S 2/2004 Warschewske et al.
D541,267 S 4/2007 Sagen et al.
D559,210 S 1/2008 Brown et al.
D559,211 S 1/2008 Brown et al.
D583,781 S 12/2008 Derocher et al.
D599,755 S 9/2009 Jin et al.
D615,514 S 5/2010 Mellingen et al.
D635,942 S 4/2011 Kim et al.
D651,185 S 12/2011 Andresen
D653,245 S 1/2012 Buzzard et al.
D655,279 S 3/2012 Buzzard et al.

(Continued)

Primary Examiner — Randall H Gholson
(74) *Attorney, Agent, or Firm* — Edell, Shapiro, &
Finnan, LLC

(57) **CLAIM**

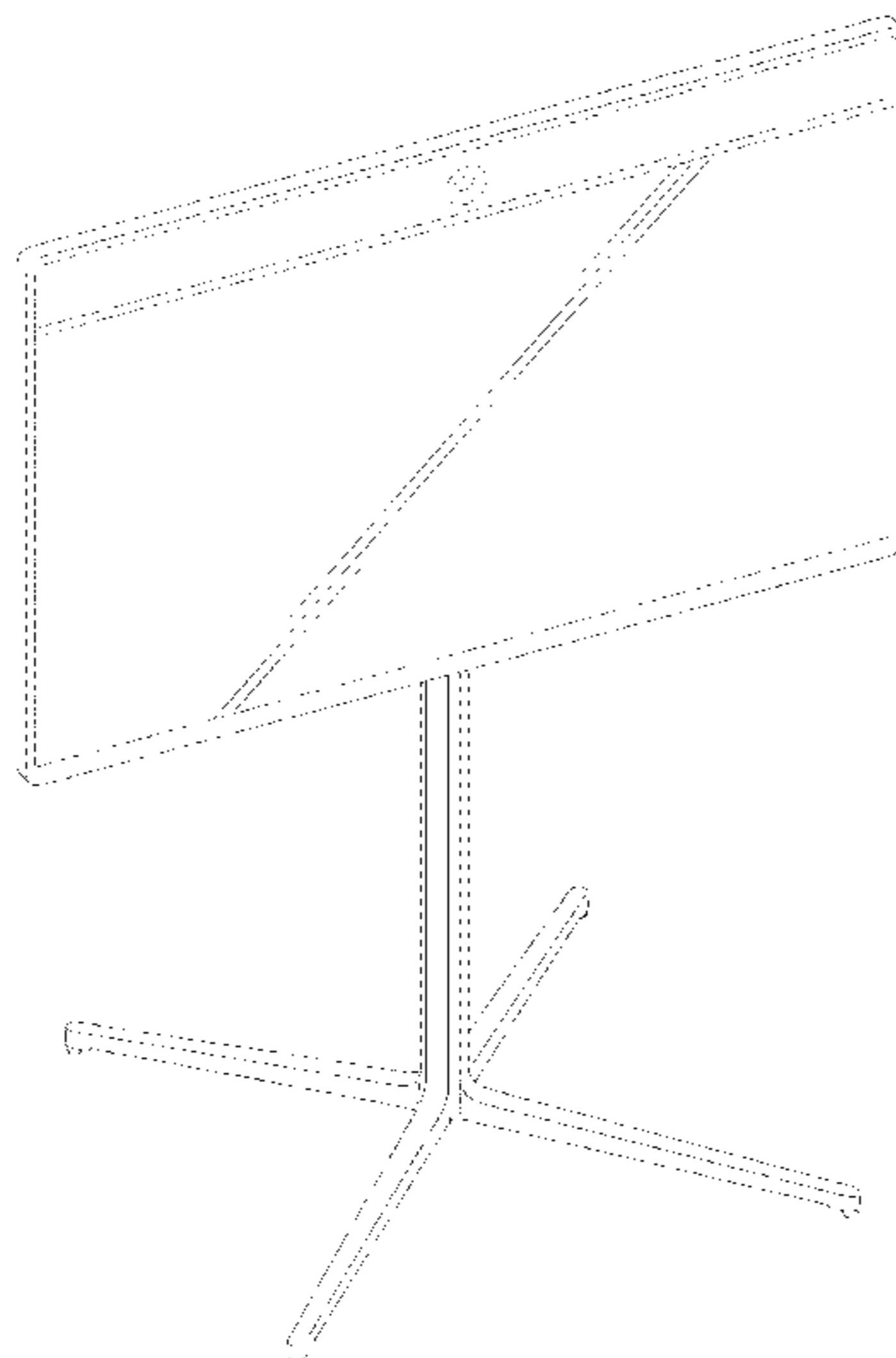
The ornamental design for a freestanding collaboration endpoint, as shown and described.

DESCRIPTION

FIG. 1 is a front perspective view of a freestanding collaboration endpoint;
FIG. 2 is a rear perspective view of the freestanding collaboration endpoint of FIG. 1;
FIG. 3 is a front view of the freestanding collaboration endpoint of FIG. 1;
FIG. 4 is a back view of the freestanding collaboration endpoint of FIG. 1;
FIG. 5 is a first side view of the freestanding collaboration endpoint of FIG. 1;
FIG. 6 is a second side view of the freestanding collaboration endpoint of FIG. 1;
FIG. 7 is a top view of the freestanding collaboration endpoint of FIG. 1; and,
FIG. 8 is a bottom view of the freestanding collaboration endpoint of FIG. 1.

Any portions shown using dashed lines are for illustrative purposes only and form no part of the claimed design.

1 Claim, 7 Drawing Sheets



(56)

References Cited

U.S. PATENT DOCUMENTS

8,286,977	B2	10/2012	Butler et al.	
8,300,078	B2	10/2012	Lovhaugen et al.	
D671,083	S	11/2012	Kim et al.	
8,542,264	B2	9/2013	Lu et al.	
D709,842	S *	7/2014	Lee	D14/126
D718,260	S	11/2014	Mellingen et al.	
D718,264	S	11/2014	Park et al.	
D718,730	S	12/2014	Andresen et al.	
D720,315	S	12/2014	Kim et al.	
D720,317	S	12/2014	Kamp et al.	
D732,496	S *	6/2015	Mellingen	D14/126
D739,364	S	9/2015	Mellingen et al.	
D742,845	S	11/2015	Ostensen et al.	
D756,322	S	5/2016	Ostensen et al.	
D780,750	S	3/2017	Yu	
2003/0058372	A1	3/2003	Williams et al.	
2010/0148458	A1	6/2010	Ross et al.	
2013/0083155	A1	4/2013	Andresen	

* cited by examiner

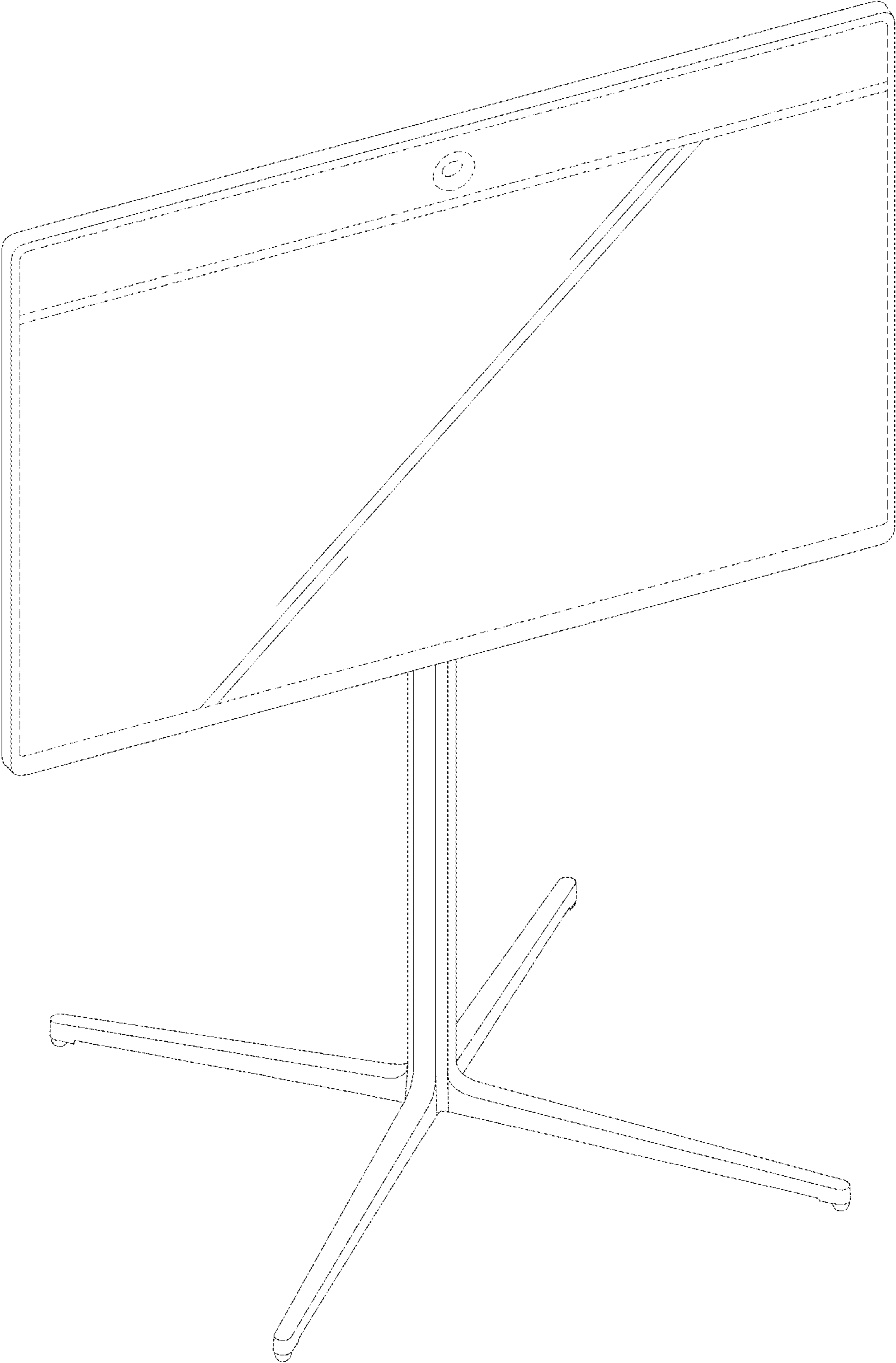


FIG.1

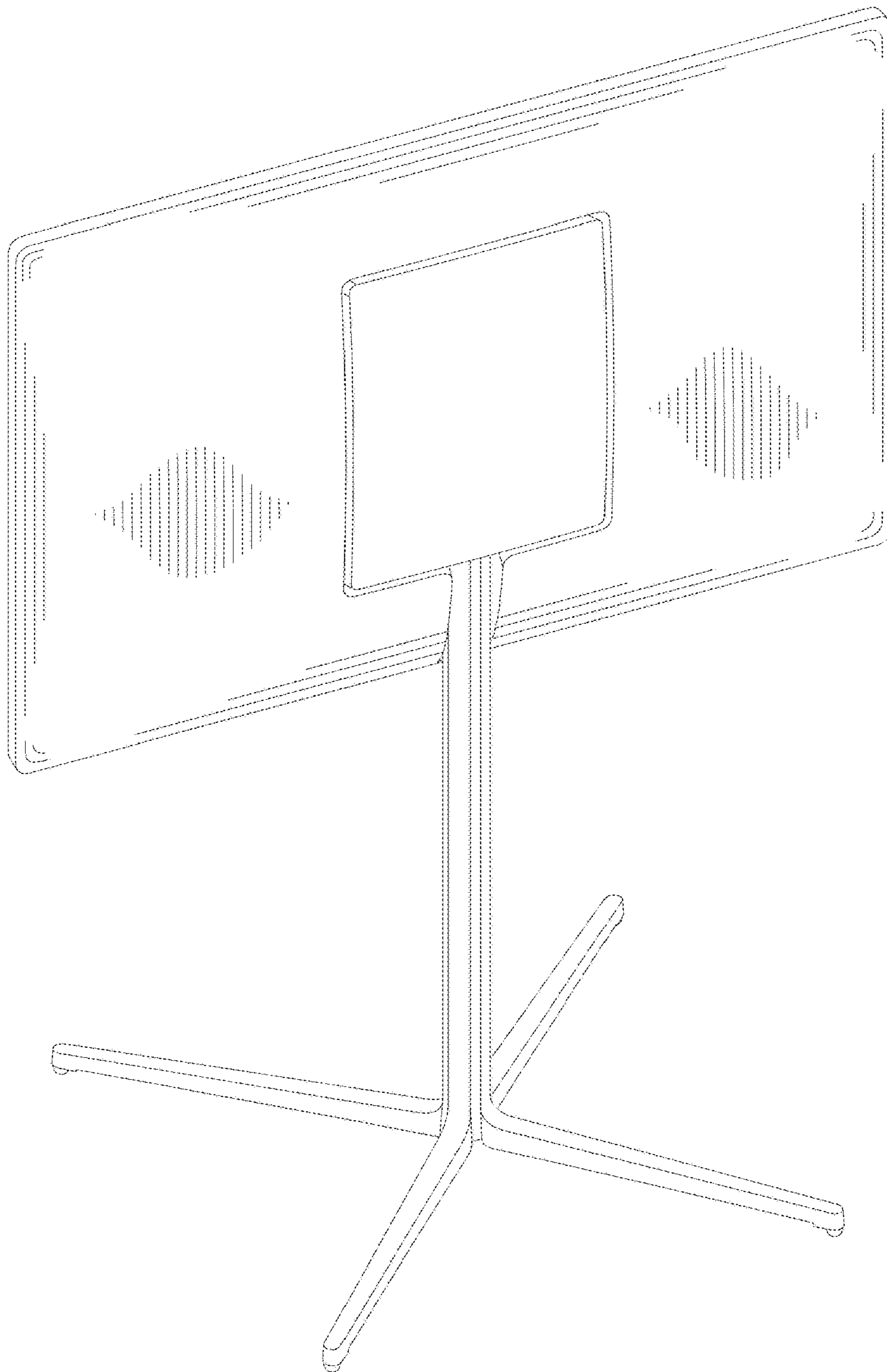


FIG.2

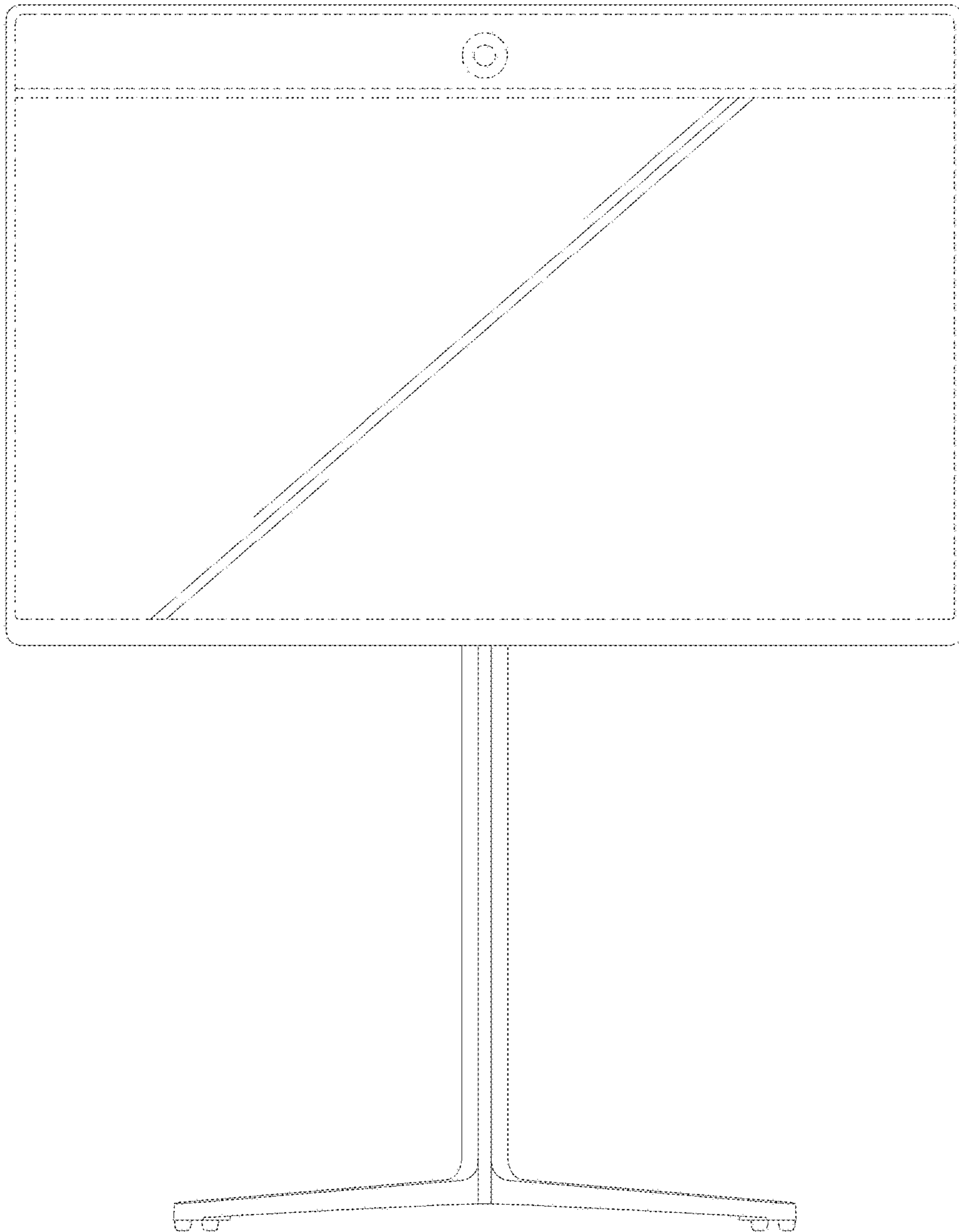


FIG.3

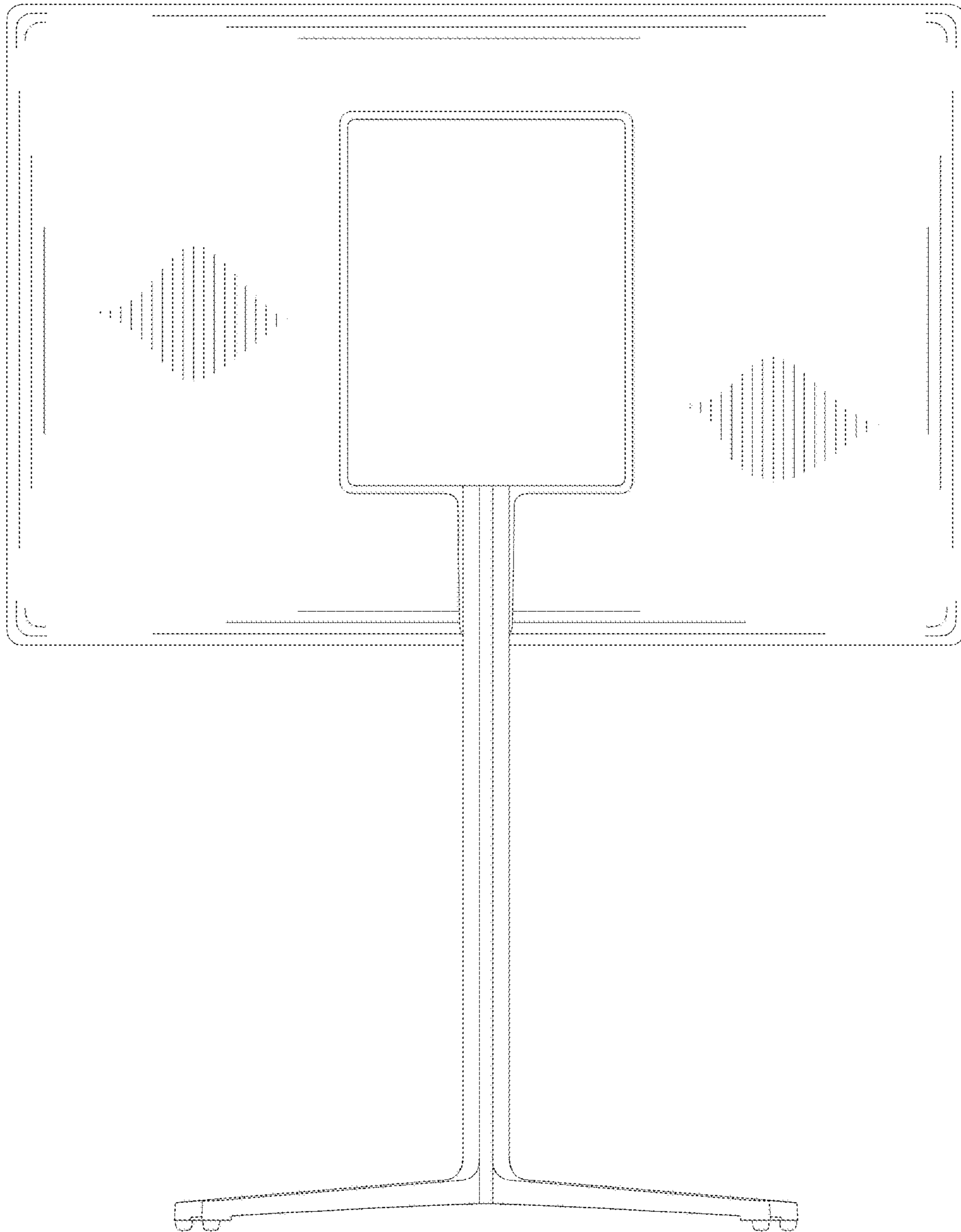


FIG. 4

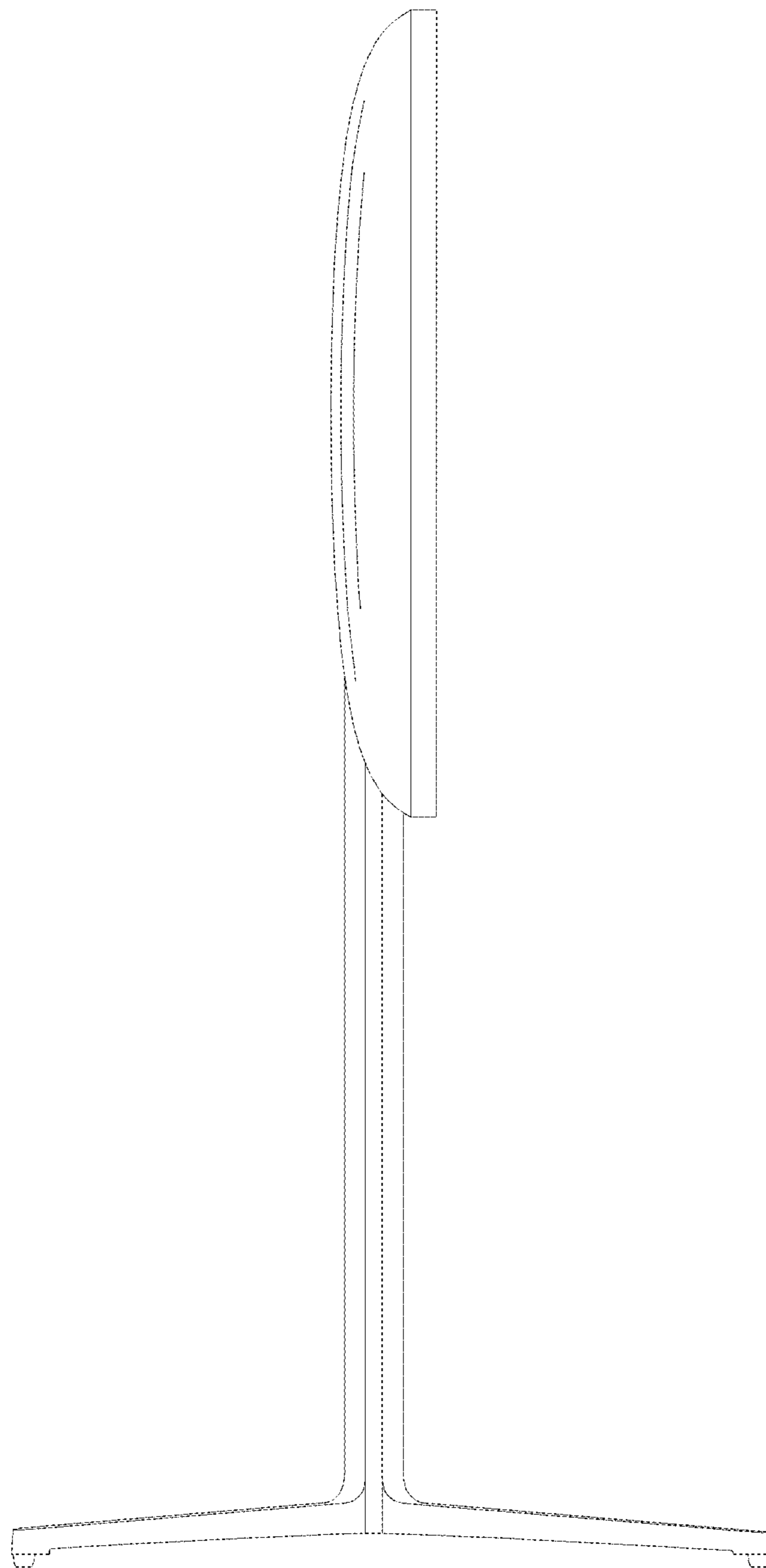


FIG.5

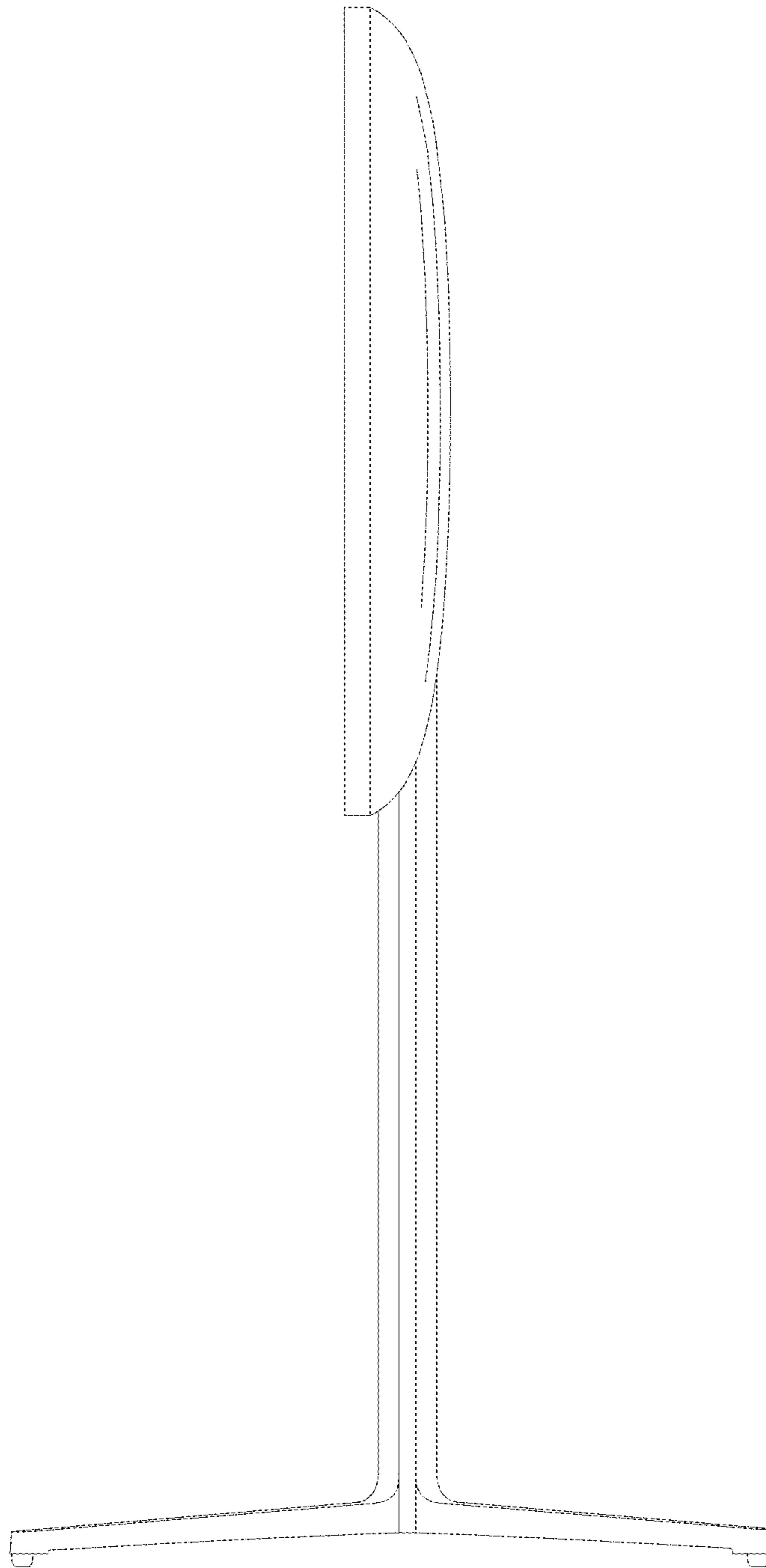


FIG.6

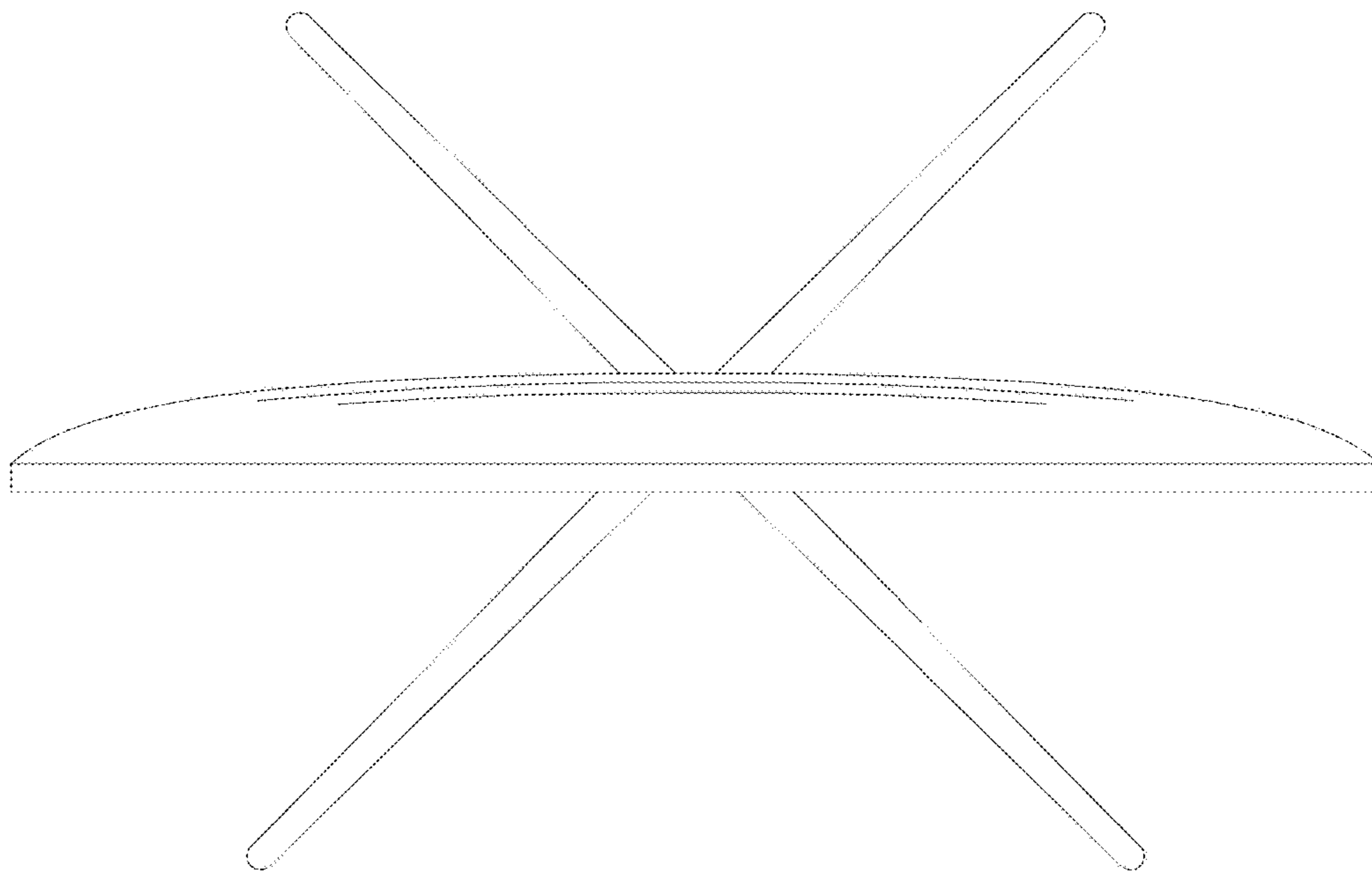


FIG. 7

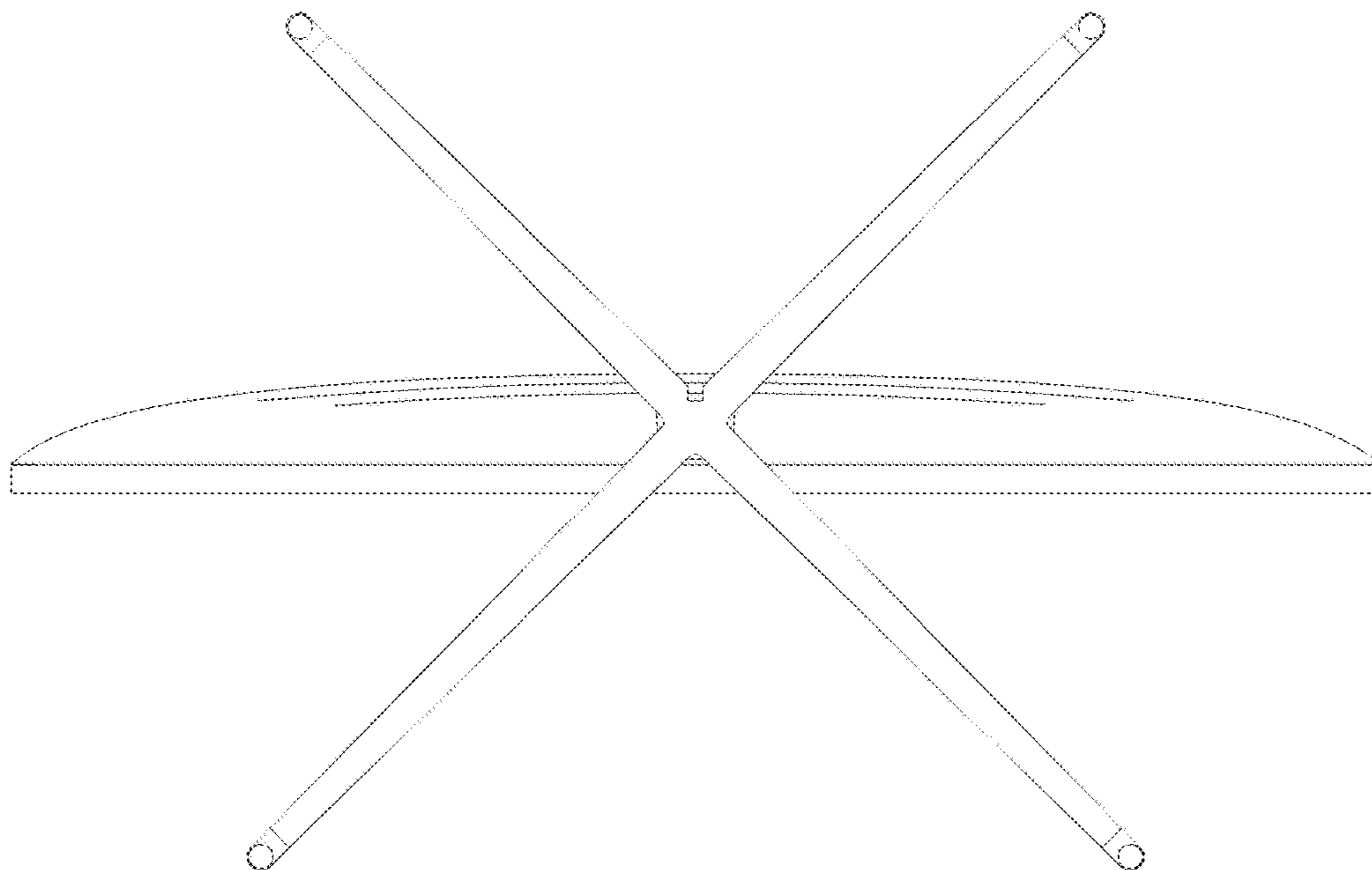


FIG. 8